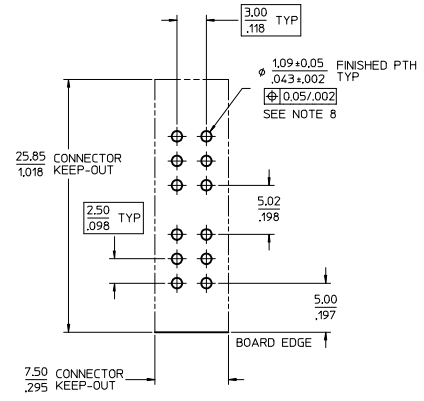
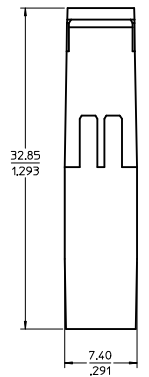
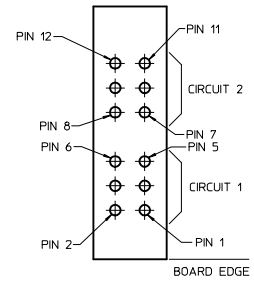


PART NUMBER	TAIL PLATING	PLATING
75561-6000	TIN	0.75µm/30µm MIN SELECT HARD GOLD IN CONTACT AREA WITH 2.50µm/100µm MIN SELECT TIN IN TAIL AREA OVER 1.25µm/50µm MIN NICKEL OVERALL

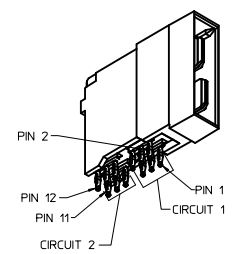
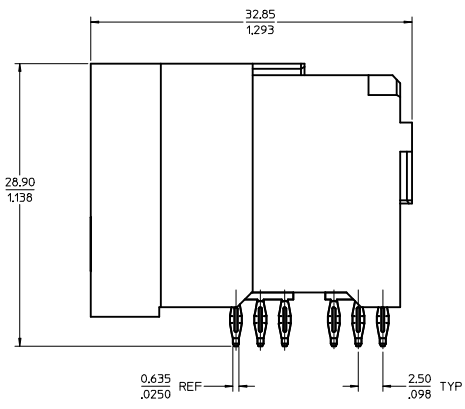
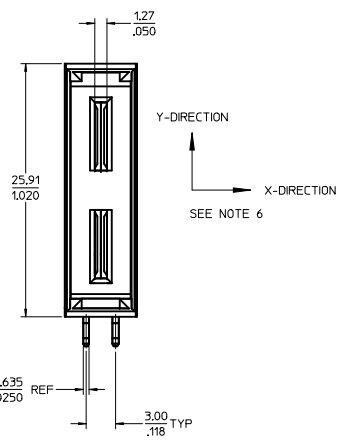
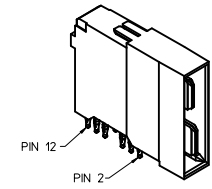


PCB LAYOUT
3.18/.125 MIN THICK



PINOUT DETAIL

- NOTES:
- MATERIALS:
 - HOUSING: 30% GLASS FILLED, LCP 94V-0, COLOR: BLACK
 - TERMINALS: COPPER ALLOY
 - PLATING: PER ES-88 - SEE CHART
 - SEE CHART FOR REFERENCE DOCUMENTS
 - PLUG MATES WITH RECEPTACLE ASSEMBLIES: 75545-5000 & 75545-5001
 - MODULE IS DESIGNED FOR PRESS FIT TO THE PCB
 - MODULE ASSEMBLY IS RoHS COMPLIANT
 - GATHERABILITY: ±0.65/0.26 X-DIRECTION ±130/0.51 Y-DIRECTION
 - THIS PART CONFORMS TO CLASS B REQUIREMENTS OF COSMETIC SPEC PS-45499-002
 - PLATED THRU HOLE (PTH) DIMENSIONS:
 - Ø1.09±0.05/Ø43±.002 FINISHED PTH (TYP)
 - Ø1.200±.013/Ø472±.0005 DRILL
 - 0.025/0.001 COPPER PLATE THICKNESS



REFERENCE DOCUMENTS	
PS-75431-999	PRODUCT SPECIFICATION: PERFORMANCE AND RATINGS
SD-75555-***	FINAL ASSEMBLY CONFIGURATION DRAWING

CORRECTED HSG GRAPHICS EC NO: UCP2014-2193 DRAWN: DUILLES 2013/11/18 CHKD: BANDURA 2013/11/19 APPR: APATEL 2013/12/10	QUALITY SYMBOLS ▽=0 ▽=0 ▽=0	GENERAL TOLERANCES (UNLESS SPECIFIED)		DIMENSION STYLE	SCALE	DESIGN UNITS	THIRD ANGLE PROJECTION
		mm	INCH	MM/IN	4:1	METRIC	⊙
		4 PLACES	±.008	DRAWN BY	DATE	TITLE	
		3 PLACES	±.013	CHECKED BY	DATE	POWERMASS 80 AMP MODULE, PLUG	
		2 PLACES	±0.20	MDATA	2007/01/16		
		1 PLACE	±0.33	APPROVED BY	DATE		
		0 PLACE	±	APATEL		MATERIAL NO. DOCUMENT NO. SHEET NO. SEE CHART SD-75561-200 1 OF 1	
DRAFT WHERE APPLICABLE MUST REMAIN WITHIN DIMENSIONS		ANGULAR ±1/2°		THIS DRAWING CONTAINS INFORMATION THAT IS PROPRIETARY TO MOLEX INCORPORATED AND SHOULD NOT BE USED WITHOUT WRITTEN PERMISSION			