

LIGHT-PIPE ASSEMBLY
SHOWN ASSEMBLED TO
IPASS CONNECTOR
(SEE NOTE 3)

NOTES :

1. MATERIALS:

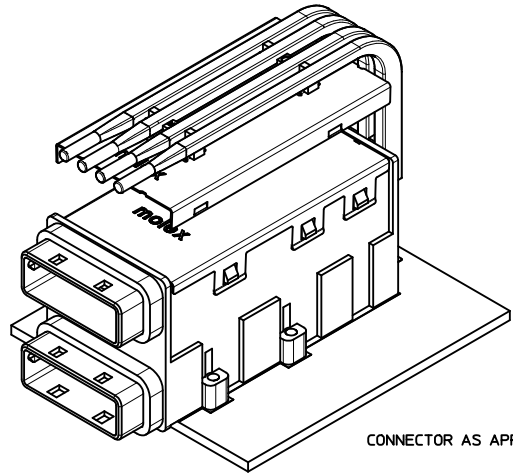
LIGHT PIPES: POLYCARBONATE, CLEAR.

MOUNTING BRACKET: STAINLESS STEEL ALLOY.

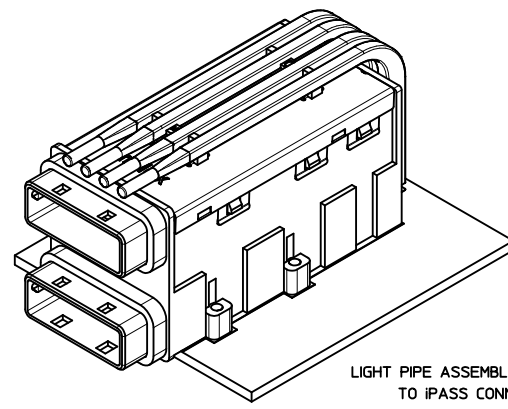
2. LIGHT PIPE ASSEMBLY #170416-0101 IS ATTACHED TO THE COVER OF CONNECTOR ASSEMBLIES 75758-0101 THRU 75758-0111 BY THE CUSTOMER.

3. IPASS CONNECTOR ASSEMBLIES 75758-0101 THRU 75758-0111 ARE SOLD SEPARATELY AND SHOWN FOR REFERENCE ONLY. SEE SALES DRAWING: SD-75758-010.

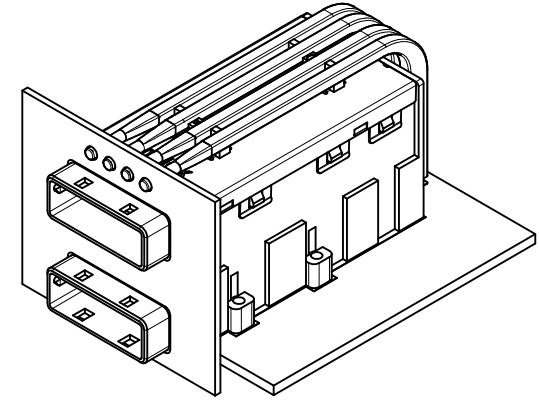
RELEASED EIC NO: UCP2012-1063 DRAWN BY: SBGJEL CHKD: MBANAKIS APPR: MBANAKIS DATE: 2011/09/19 2011/10/20	QUALITY SYMBOLS	GENERAL TOLERANCES (UNLESS SPECIFIED)	DIMENSION STYLE	SCALE	DESIGN UNITS	THIRD ANGLE PROJECTION
	▽=0	4 PLACES ± 0.15	MM ONLY	2:1	METRIC	ASSEMBLY, LIGHT PIPE FOR IPASS 26X26 STACKED 2X1
	▽=0	3 PLACES ± 0.13				MOLEX INCORPORATED
	▽=0	2 PLACES ± 0.25				SD-170416-0101
		ANGULAR ± 1/2°				
		DRAFT WHERE APPLICABLE MUST REMAIN WITHIN DIMENSIONS				
			SIZE D			



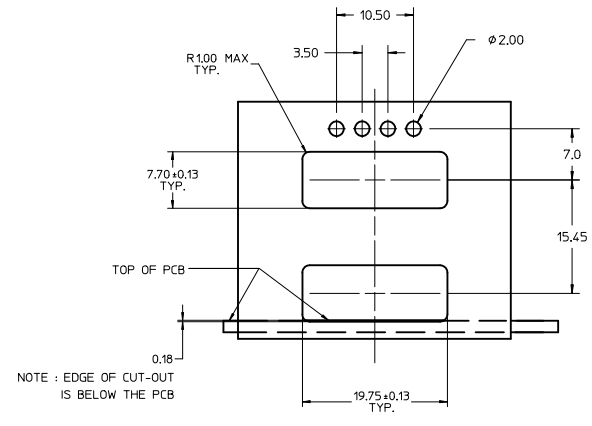
CONNECTOR AS APPLIED TO PCB



LIGHT PIPE ASSEMBLY AS APPLIED TO iPASS CONNECTOR

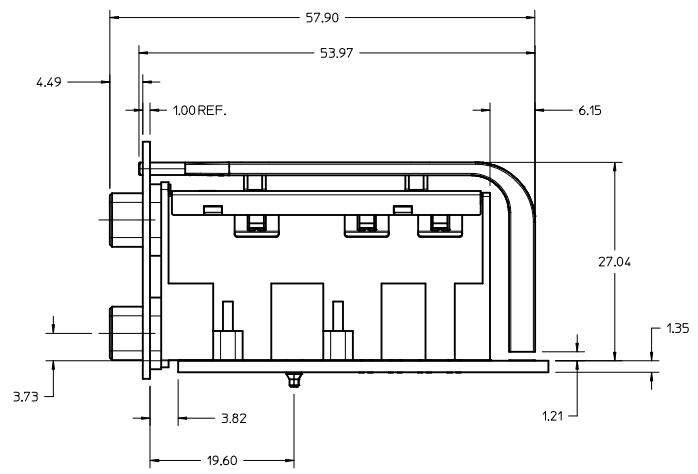


CONNECTOR ASSEMBLY FULLY ASSEMBLED AS INSTALLED IN PANEL

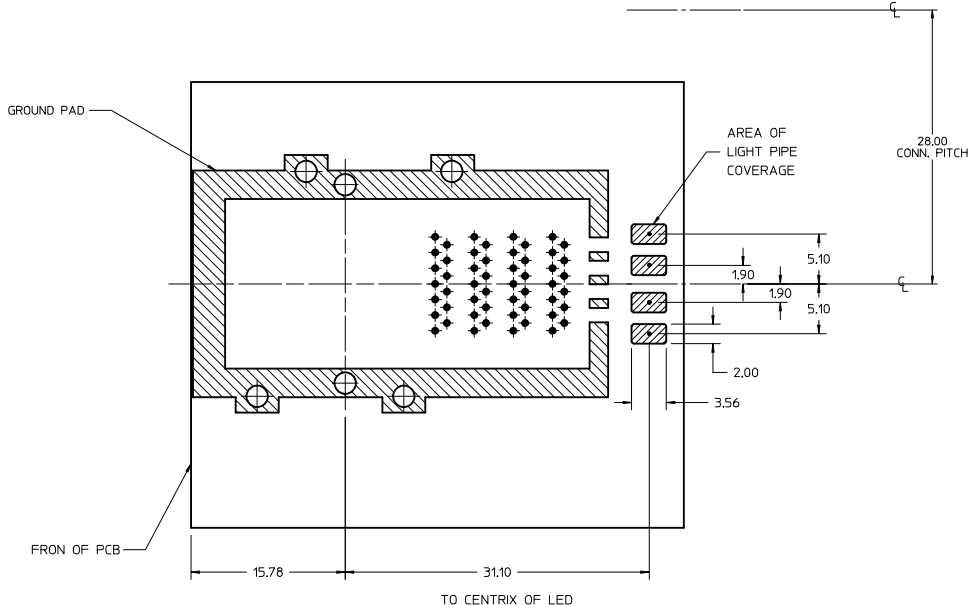


RECOMMENDED MOUNTING PANEL CUT-OUT (SUPPLIED BY CUSTOMER)

MAXIMUM THICKNESS 1.50mm



SEE SHEET 1 IEC NO: UCP2012-063 DRAWN: SBGIEL CHKD: MBANKIS APPR: MBANKIS DATE: 2011/09/19 DATE: 2011/10/20	QUALITY SYMBOLS	GENERAL TOLERANCES (UNLESS SPECIFIED)	DIMENSION STYLE	SCALE	DESIGN UNITS	THIRD ANGLE PROJECTION
	▽=0 ▽=0	mm INCH 4 PLACES ± --- ± --- 3 PLACES ± --- ± --- 2 PLACES ± 0.13 ± --- 1 PLACE ± 0.25 ± --- ANGULAR ± 1/2°	MM ONLY	3:1	METRIC	DRAWN BY: SBGIEL DATE: 2011/09/19 CHECKED BY: DATE:
	DRAFT WHERE APPLICABLE MUST REMAIN WITHIN DIMENSIONS	MATERIAL NO: 75758-010* DOCUMENT NO: SD-170416-0101	APPROVED BY: MBANKIS DATE: 2011/10/20 MOLEX INCORPORATED	TITLE: ASSEMBLY, LIGHT PIPE FOR IPASS 26X26 STACKED 2X1	SHEET NO: 2 OF 3	
	THIS DRAWING CONTAINS INFORMATION THAT IS PROPRIETARY TO MOLEX INCORPORATED AND SHOULD NOT BE USED WITHOUT WRITTEN PERMISSION					



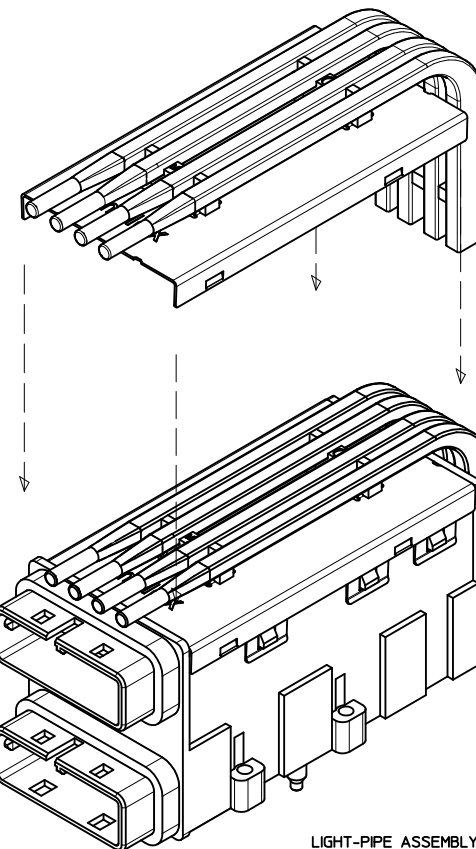
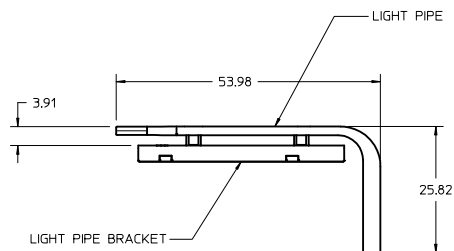
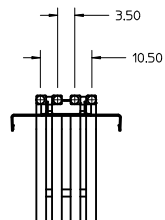
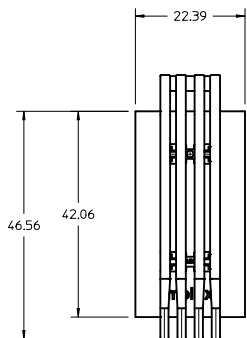
RECOMMENDED PCB LAYOUT

THICKNESS = 1.35mm MIN.

NOTE:
1. DIMENSIONS SHOWN ARE FOR LED PLACEMENT ONLY.
SEE SALES DRAWING SD-75758-010 FOR DETAILED
PCB LAYOUT AND SPECIFICATIONS.

SEE SHEET 1 IEC NO: UCP2012-1063 DRAWN: SBOGIEL CHKD: APPR: MBANKIS DATE: 2011/09/19 DATE: 2011/10/20	QUALITY SYMBOLS ▽=0 ▽=0	GENERAL TOLERANCES (UNLESS SPECIFIED) mm INCH 4 PLACES ±.10 ±.004 3 PLACES ±.15 ±.006 2 PLACES ±.20 ±.008 1 PLACE ±.25 ±.010 ANGULAR ±1/2°	DIMENSION STYLE MM ONLY	SCALE 2:1	DESIGN UNITS METRIC	THIRD ANGLE PROJECTION
	DRAWN BY SBOGIEL	DATE 2011/09/19	TITLE ASSEMBLY, LIGHT PIPE FOR IPASS 26X26 STACKED 2X1			
	CHECKED BY MBANKIS	DATE 2011/10/20	MOLEX INCORPORATED			
	APPROVED BY MBANKIS	DATE 2011/10/20	MATERIAL NO. 75758-010*	DOCUMENT NO. SD-170416-0101	SHEET NO. 3 OF 3	

THIS DRAWING CONTAINS INFORMATION THAT IS PROPRIETARY TO MOLEX INCORPORATED AND SHOULD NOT BE USED WITHOUT WRITTEN PERMISSION



LIGHT-PIPE ASSEMBLY
SHOWN ASSEMBLED TO
IPASS CONNECTOR
(SEE NOTE 3)

NOTES :

1. MATERIALS:

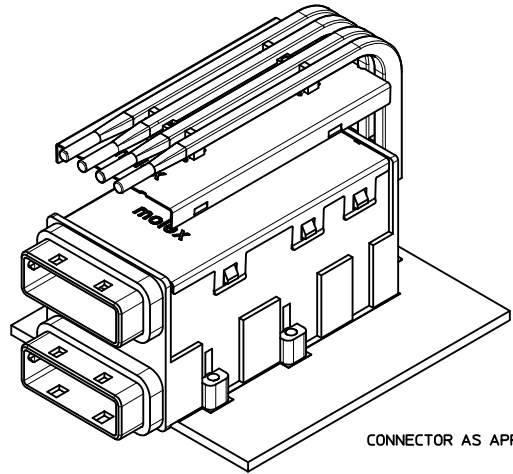
LIGHT PIPES: POLYCARBONATE, CLEAR.

MOUNTING BRACKET: STAINLESS STEEL ALLOY.

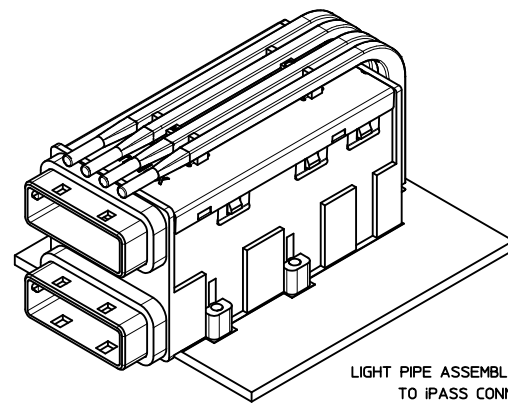
2. LIGHT PIPE ASSEMBLY #170416-0101 IS ATTACHED TO THE COVER OF CONNECTOR ASSEMBLIES 75758-0101 THRU 75758-0111 BY THE CUSTOMER.

3. IPASS CONNECTOR ASSEMBLIES 75758-0101 THRU 75758-0111 ARE SOLD SEPARATELY AND SHOWN FOR REFERENCE ONLY. SEE SALES DRAWING: SD-75758-010.

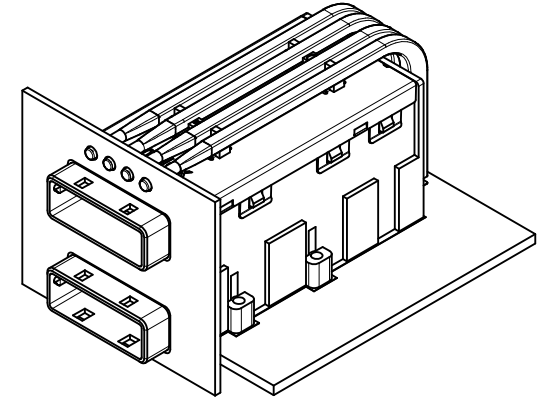
RELEASED EIC NO: UCP2012-1063 DRAWN BY: SBGJEL CHKD: MBANAKIS APPR: MBANAKIS DATE: 2011/09/19 2011/10/20	QUALITY SYMBOLS	GENERAL TOLERANCES (UNLESS SPECIFIED)	DIMENSION STYLE	SCALE	DESIGN UNITS	THIRD ANGLE PROJECTION
	▽=0	4 PLACES ±0.15	MM ONLY	2:1	METRIC	ASSEMBLY, LIGHT PIPE FOR IPASS 26X26 STACKED 2X1
	▽=0	3 PLACES ±0.13				MOLEX INCORPORATED
	▽=0	2 PLACES ±0.25				SD-170416-0101
		ANGULAR ±1/2°				
		DRAFT WHERE APPLICABLE MUST REMAIN WITHIN DIMENSIONS				
			SIZE D			



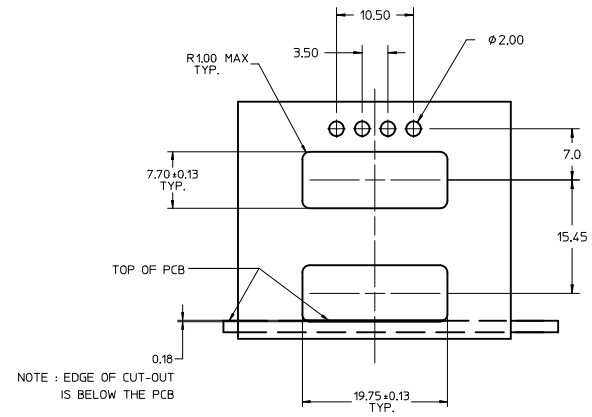
CONNECTOR AS APPLIED TO PCB



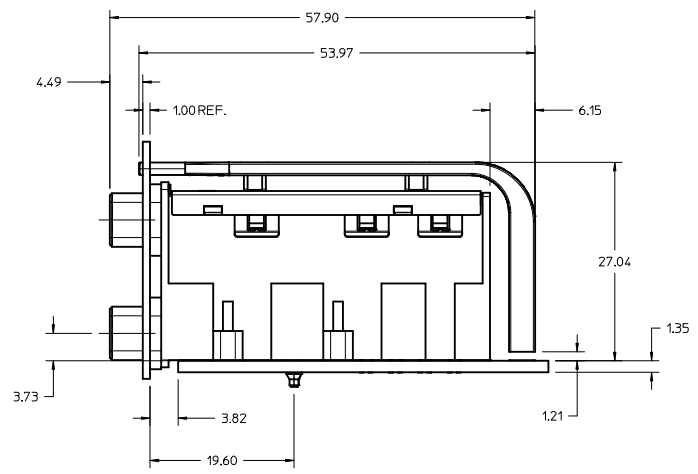
LIGHT PIPE ASSEMBLY AS APPLIED TO iPASS CONNECTOR



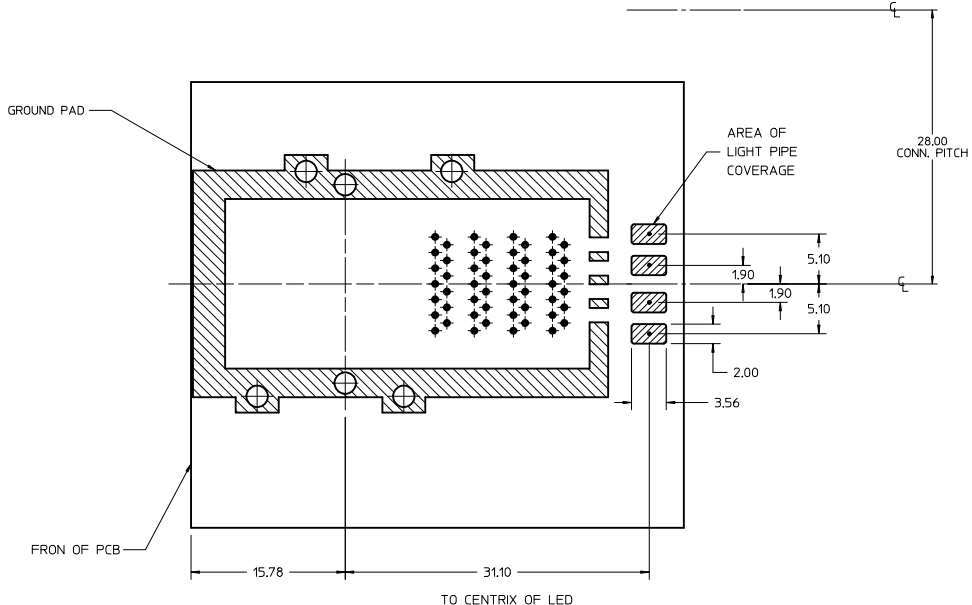
CONNECTOR ASSEMBLY FULLY ASSEMBLED AS INSTALLED IN PANEL



RECOMMENDED MOUNTING PANEL CUT-OUT (SUPPLIED BY CUSTOMER)



SEE SHEET 1 IEC NO: UCP2012-063 DRAWN: SBGIEL CHKD: MBANKIS APPR: MBANKIS DATE: 2011/09/19 DATE: 2011/10/20	QUALITY SYMBOLS	GENERAL TOLERANCES (UNLESS SPECIFIED)	DIMENSION STYLE	SCALE	DESIGN UNITS	THIRD ANGLE PROJECTION
	▽=0 ▽=0	mm INCH 4 PLACES ± --- ± --- 3 PLACES ± --- ± --- 2 PLACES ± 0.13 ± --- 1 PLACE ± 0.25 ± --- ANGULAR ± 1/2°	MM ONLY	3:1	METRIC	ASSEMBLY, LIGHT PIPE FOR IPASS 26X26 STACKED 2X1 MOLEX INCORPORATED
	DRAFT WHERE APPLICABLE MUST REMAIN WITHIN DIMENSIONS	DRAWN BY: SBGIEL CHECKED BY: MBANKIS APPROVED BY: MBANKIS DATE: 2011/09/19 DATE: 2011/10/20	MATERIAL NO: 75758-010* DOCUMENT NO: SD-170416-0101	SHEET NO: 2 OF 3	THIS DRAWING CONTAINS INFORMATION THAT IS PROPRIETARY TO MOLEX INCORPORATED AND SHOULD NOT BE USED WITHOUT WRITTEN PERMISSION	
	SIZE D					



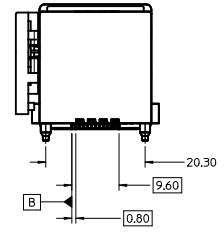
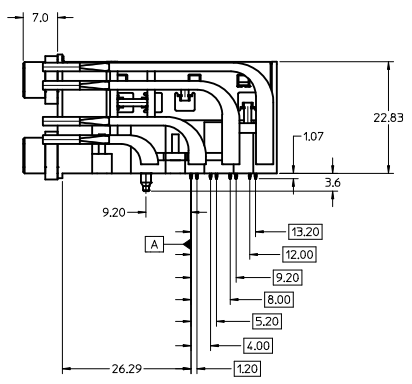
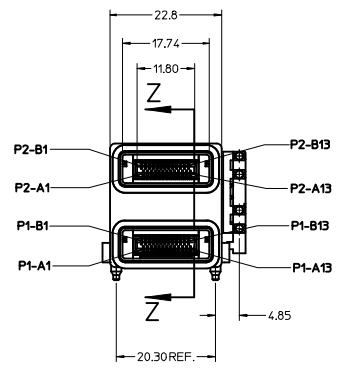
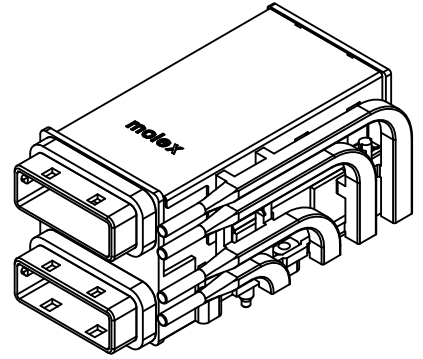
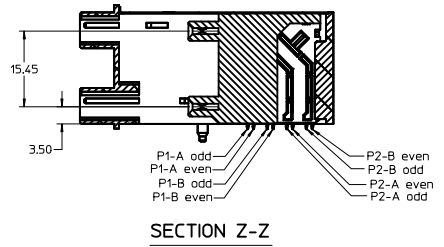
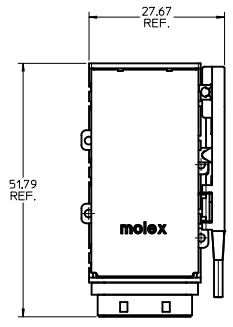
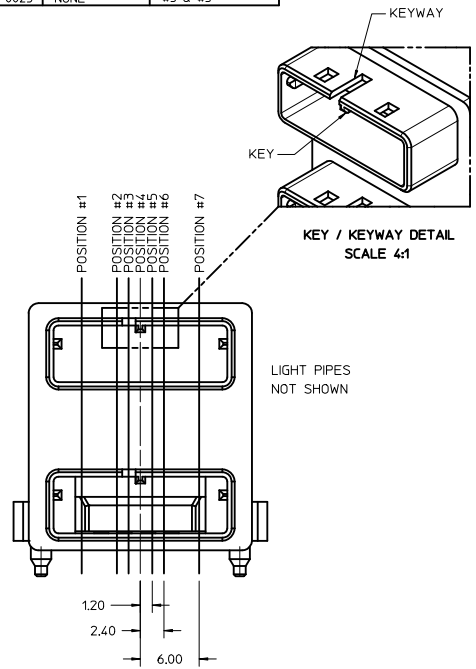
RECOMMENDED PCB LAYOUT

THICKNESS = 1.35mm MIN.

NOTE:
1. DIMENSIONS SHOWN ARE FOR LED PLACEMENT ONLY.
SEE SALES DRAWING SD-75758-010 FOR DETAILED
PCB LAYOUT AND SPECIFICATIONS.

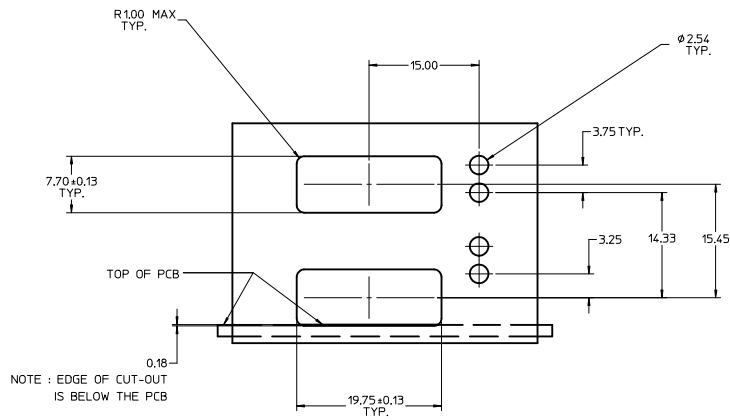
SEE SHEET 1 IEC NO: UCP2012-1063 DRAWN: SBOGIEL CHKD: APPROVED: MBANKIS DATE: 2011/09/19 DATE: 2011/10/20	QUALITY SYMBOLS	GENERAL TOLERANCES (UNLESS SPECIFIED)	DIMENSION STYLE	SCALE	DESIGN UNITS	THIRD ANGLE PROJECTION
	▽=0 ▽=0	mm INCH 4 PLACES ±.05 ±.0015 3 PLACES ±.02 ±.0008 2 PLACES ±.013 ±.0005 1 PLACE ±.025 ±.0010 ANGULAR ±1/2°	MM ONLY DRAWN BY: SBOGIEL DATE: 2011/09/19 CHECKED BY: DATE:	2:1	METRIC	ASSEMBLY, LIGHT PIPE FOR IPASS 26X26 STACKED 2X1 MOLEX INCORPORATED
	DRAFT WHERE APPLICABLE MUST REMAIN WITHIN DIMENSIONS	MATERIAL NO. 75758-010* DATE: 2011/10/20	APPROVED BY: MBANKIS DATE: 2011/10/20	DOCUMENT NO. SD-170416-0101		SHEET NO. 3 OF 3
	THIS DRAWING CONTAINS INFORMATION THAT IS PROPRIETARY TO MOLEX INCORPORATED AND SHOULD NOT BE USED WITHOUT WRITTEN PERMISSION					

KEY/KEYWAY OPTIONS			
PART NUMBER	KEY POSITION	KEYWAY POSITION	
TIN/LEAD	LEAD-FREE		
75758-0001	75758-0021	NONE	NONE
75758-0002	75758-0022	#3	NONE
75758-0003	75758-0023	#4	NONE
75758-0004	75758-0024	#4	#3 & #5
75758-0005	75758-0025	NONE	#3 & #5



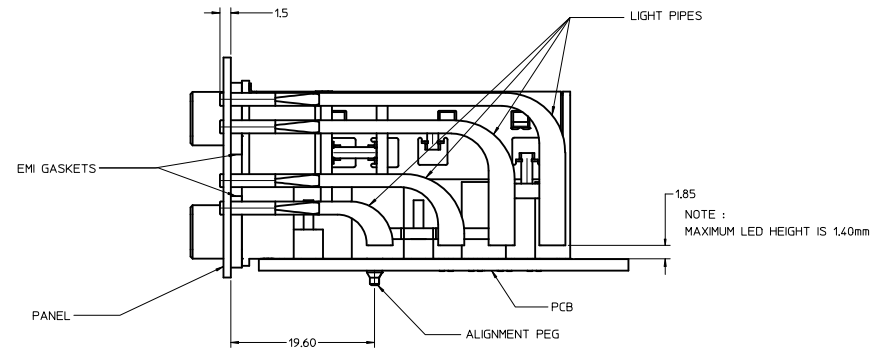
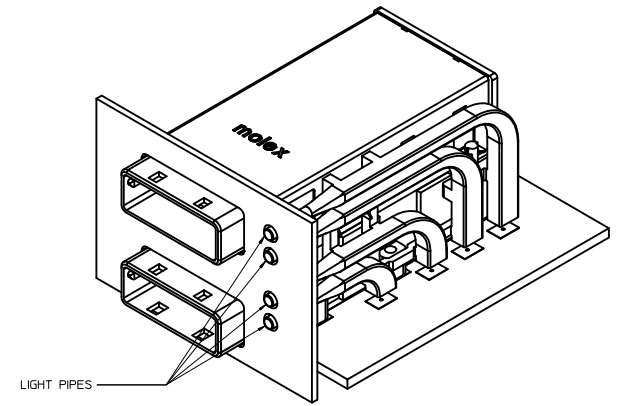
- NOTES :
- MATERIALS :
CONNECTOR HOUSING - HIGH TEMP THERMOPLASTIC,
GLASS-FILLED, UL94V-0,
COLOR - BLACK
EMI HOUSING - DIE CAST ALLOY, NICKEL PLATED FINISH
COVER - STAINLESS STEEL ALLOY
CPI TERMINALS - COPPER ALLOY
EMI GASKETS - CONDUCTIVE POLYMER
LIGHT PIPE - CLEAR THERMOPLASTIC, UL94V-0
 - TERMINAL PLATING :
CONTACT AREA - 0.76µ MIN GOLD OVER 2.54µ MIN NICKEL.
COMPLIANT AREA - 0.76-1.52µ TIN/LEAD (90/10) OVER
2.54µ MIN NICKEL.
 - PACKAGING SPECIFICATION : TRAY PACK IN BOX.
 - REFER TO PS-75586-001 PRODUCT SPEC FOR ALL ELECTRICAL, MECHANICAL AND ENVIRONMENTAL SPECIFICATIONS.
 - THIS CONNECTOR IS DESIGNED TO MATE WITH MOLEX CABLE SERIES 74548.
 - REQUIRES MOUNTING HARDWARE : (4) M2 X 8MM CAP SCREWS OR EQUIV.
MAX. TORQUE 2.3 in/lbs.

ADD LEAD-FREE #'s EC NO. UCP2012-1003 DRWNS:SRIGIEL CHKD: APPR:RBANKIS 2011/10/13 2011/10/20	QUALITY SYMBOLS	GENERAL TOLERANCES (UNLESS SPECIFIED)	DIMENSION STYLE	SCALE	DESIGN UNITS	THIRD ANGLE PROJECTION	
	∇=0 ∇=0 ∇=0	4 PLACES ± --- INCH 3 PLACES ± --- INCH 2 PLACES ± 0.25 INCH 1 PLACE ± 0.25 INCH ANGULAR ±1/2°	MM ONLY	2:1	METRIC	DRAWN BY: J JANTELEZ10 CHECKED BY: KLANG APPROVED BY: BANAKIS DATE: 02/05/2008 DATE: 02/05/2008 DATE: 02/05/2008	TITLE: IPASS STACKED 26/26 CIRCUIT CONNECTOR W/LIGHT PIPES MOLEX INCORPORATED
	DRAFT WHERE APPLICABLE MUST REMAIN WITHIN DIMENSIONS	MATERIAL NO. 75758-000* SIZE D	DOCUMENT NO. SD-75758-001 SHEET NO. 1 OF 3				



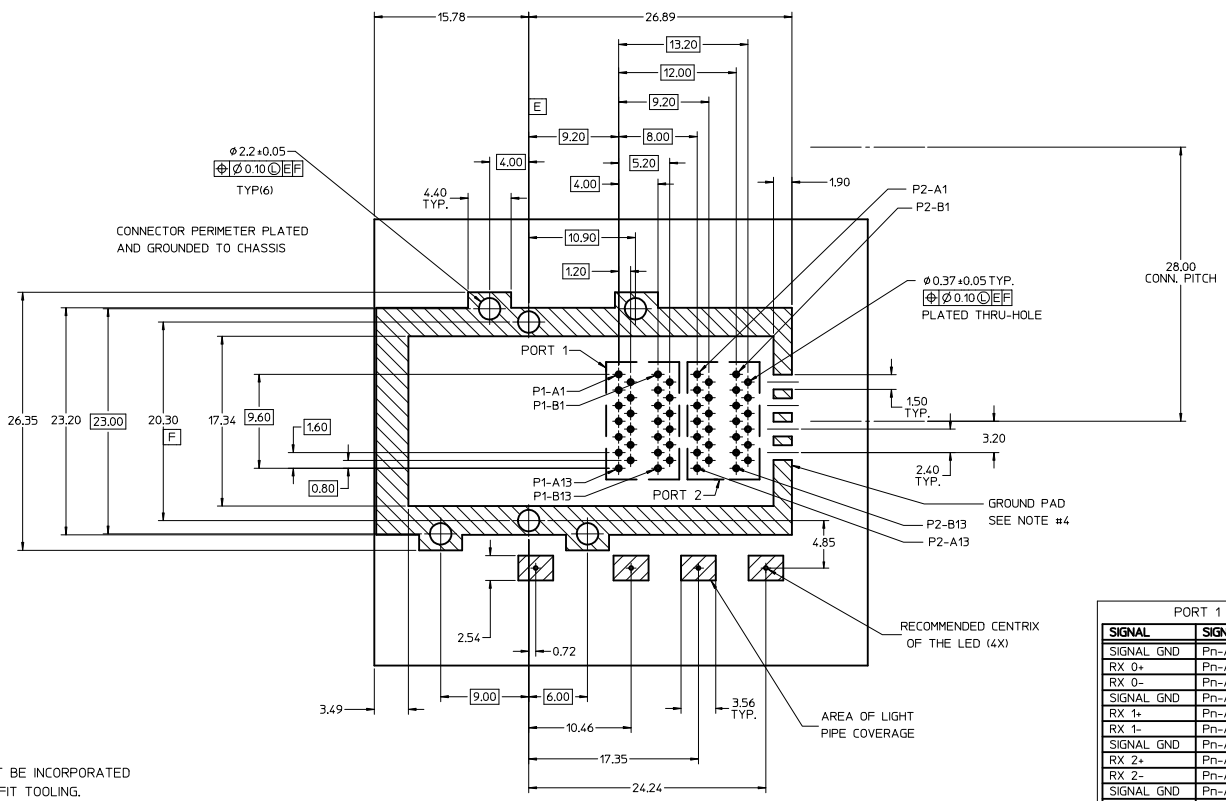
PANEL CUT-OUT

MAXIMUM THICKNESS = 1.50
(NOT SUPPLIED)



ASSEMBLY VIEW

SEE SHEET 1 IEC NO: UCP2012-1063 DRAWN: SROGIEL 2011/10/13 CHKD: APPR: HBANKIS 2011/10/20	QUALITY SYMBOLS	GENERAL TOLERANCES (UNLESS SPECIFIED)	DIMENSION STYLE	SCALE	DESIGN UNITS	THIRD ANGLE PROJECTION
	▽=0	mm INCH	MM ONLY	3:1	METRIC	
	▽=0	4 PLACES ± --- ± ---	DRAWN BY DATE	TITLE		
	▽=0	3 PLACES ± --- ± ---	J JANTELEZIO 02/05/2008	IPASS STACKED		
	2 PLACES ± 0.25 ± ---	CHECKED BY DATE	26/26 CIRCUIT CONNECTOR			
	1 PLACE ± 0.25 ± ---	APPROVED BY DATE	W/LIGHT PIPES			
	ANGULAR ± 1/2°	BANKIS 02/05/2008	MOLEX INCORPORATED			
	DRAFT WHERE APPLICABLE MUST REMAIN WITHIN DIMENSIONS	MATERIAL NO.	DOCUMENT NO.	SHEET NO.		
		75758-000*	SD-75758-001	2 OF 3		
		THIS DRAWING CONTAINS INFORMATION THAT IS PROPRIETARY TO MOLEX INCORPORATED AND SHOULD NOT BE USED WITHOUT WRITTEN PERMISSION				



PORT 1		PORT 2	
SIGNAL	SIGNAL PIN	SIGNAL	SIGNAL PIN
SIGNAL GND	Pn-A1	SIGNAL GND	Pn-B1
RX 0+	Pn-A2	TX 0+	Pn-B2
RX 0-	Pn-A3	TX 0-	Pn-B3
SIGNAL GND	Pn-A4	SIGNAL GND	Pn-B4
RX 1+	Pn-A5	TX 1+	Pn-B5
RX 1-	Pn-A6	TX 1-	Pn-B6
SIGNAL GND	Pn-A7	SIGNAL GND	Pn-B7
RX 2+	Pn-A8	TX 2+	Pn-B8
RX 2-	Pn-A9	TX 2-	Pn-B9
SIGNAL GND	Pn-A10	SIGNAL GND	Pn-B10
RX 3+	Pn-A11	TX 3+	Pn-B11
RX 3-	Pn-A12	TX 3-	Pn-B12
SIGNAL GND	Pn-A13	SIGNAL GND	Pn-B13

PIN ASSIGNMENT

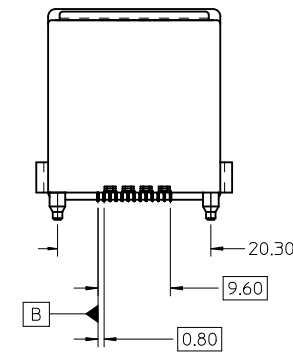
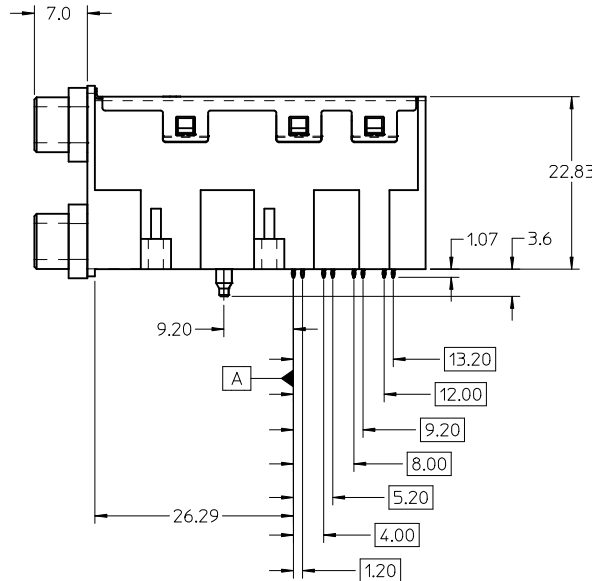
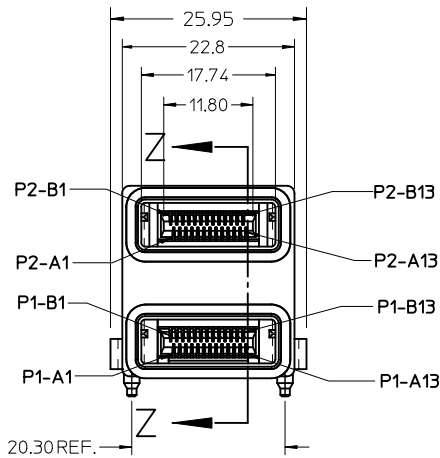
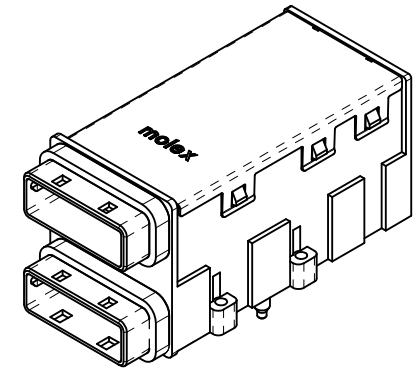
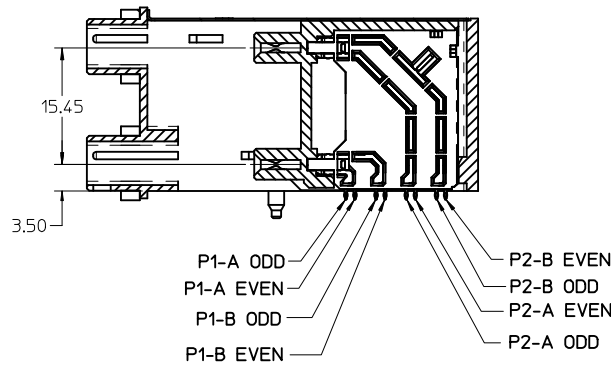
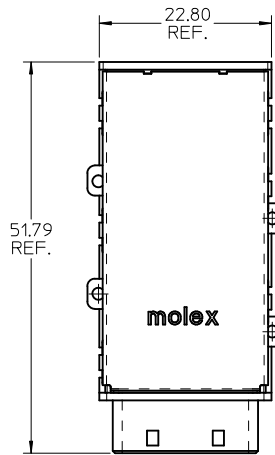
NOTES:

- CROSS-HATCHED AREA MUST BE INCORPORATED IN THE FLAT ROCK PRESS-FIT TOOLING.
- RECOMMENDED LED'S INCLUDE THE FOLLOWING :
 DIALIGHT : 597-77x1-5xx SERIES
 CHICAGO MINIATURE : 7016 SERIES
 KINGBRIGHT : APBL3025 SERIES (BICOLOR)
 APL3015 SERIES (SINGLE COLOR)
- LED'S MUST HAVE A MAXIMUM HEIGHT OF 1.4mm AND A MINIMUM HEIGHT OF 0.7mm
- PLATE GROUND PAD WITH EMERSON SILVER OR GOLD.
- RECOMMENDED DRILL SIZE FOR 0.37φ FINISHED PTH IS 0.457φ (#77 DRILL)
- RECOMMENDED ANNULAR RING AROUND 0.37φ FINISHED PTH IS 0.73φ

RECOMMENDED PCB LAYOUT

THICKNESS = 1.35mm MIN.

SEE SHEET 1 EIC NO: UCP2012-1063 DRAWNS:BOGIEL CHKD: APPROV:BANAKIS	DATE: 2011/10/13 DESCRIPTION:	QUALITY SYMBOLS ∇=0 ∇=0 ∇=0	GENERAL TOLERANCES (UNLESS SPECIFIED) mm INCH 4 PLACES ±--- ±--- 3 PLACES ±--- ±--- 2 PLACES ±0.25 ±--- 1 PLACE ±0.25 ±--- ANGULAR ±1/2°	DIMENSION STYLE MM ONLY	SCALE 2:1	DESIGN UNITS METRIC	THIRD ANGLE PROJECTION	
	DRAWN BY: JJANTELEZ10 CHECKED BY: KLANG APPROVED BY: BANAKIS	DATE: 02/05/2008 DATE: 02/05/2008 DATE: 02/05/2008	TITLE IPASS STACKED 26/26 CIRCUIT CONNECTOR W/LIGHT PIPES					
	MATERIAL NO: 75758-000*	DOCUMENT NO: SD-75758-001	MOLEX INCORPORATED					
	SIZE: D	SHEET NO: 3 OF 3	THIS DRAWING CONTAINS INFORMATION THAT IS PROPRIETARY TO MOLEX INCORPORATED AND SHOULD NOT BE USED WITHOUT WRITTEN PERMISSION					



NOTES :

1. MATERIALS :

CONNECTOR HOUSING - HIGH TEMP THERMOPLASTIC,
GLASS-FILLED, UL94V-0,
COLOR - BLACK

EMI HOUSING - DIE CAST ALLOY, NICKEL PLATED FINISH
COVER - STAINLESS STEEL ALLOY
CPI TERMINALS - COPPER ALLOY
EMI GASKETS - CONDUCTIVE POLYMER

2. TERMINAL PLATING :

CONTACT AREA - 0.76μ MIN GOLD OVER 2.54μ MIN NICKEL.
COMPLIANT AREA - 0.76-1.52μ TIN/LEAD (90/10) OVER
1.27μ MIN NICKEL.

3. PACKAGING SPECIFICATION : TRAY PACK (TBD)

4. REFER TO PS-75586-001 PRODUCT SPEC FOR ALL ELECTRICAL, MECHANICAL
AND ENVIRONMENTAL SPECIFICATIONS.

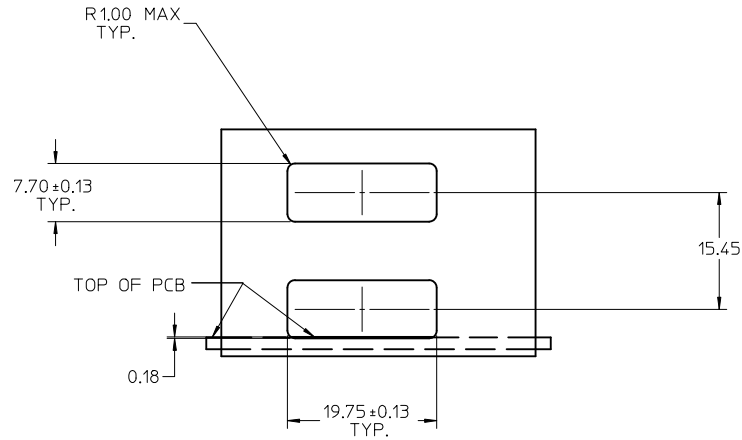
5. THIS CONNECTOR IS DESIGNED TO MATE WITH MOLEX CABLE SERIES 74548.

6. REQUIRES MOUNTING HARDWARE : (4) M2 X 8MM CAP SCREWS OR EQUIV.
MAX. TORQUE 2.3 in/lbs.

UPD TERM PLATING EC NO: UCP2011-3957 DRWNG: GONZALEZ01 2011/06/21 CHKD: KLANG 2011/06/21 APPR: MBANAKIS 2011/07/06	QUALITY SYMBOLS	GENERAL TOLERANCES (UNLESS SPECIFIED)	DIMENSION STYLE		SCALE	DESIGN UNITS	THIRD ANGLE PROJECTION
	▽=0 ▽=0		MM ONLY	2:1	METRIC		
REV	DESCRIPTION	mm	INCH	DRAWN BY	DATE	TITLE	
D		4 PLACES ± --- ± ---		JJANTELEZ10	01/23/08	IPASS STACKED 26/26 CIRCUIT CONNECTOR	
		3 PLACES ± --- ± ---		CHECKED BY	DATE	MOLEX INCORPORATED	
		2 PLACES ± 0.25 ± ---		KLANG	01/23/08		
		1 PLACE ± 0.25 ± ---		APPROVED BY	DATE	MOLEX INCORPORATED	
		ANGULAR ± 1/2°		MBANAKIS	01/23/08		
		DRAFT WHERE APPLICABLE MUST REMAIN WITHIN DIMENSIONS		SEE CHART		DOCUMENT NO.	SHEET NO.
				SD-75758-002		1 OF 3	

DRAWN BY		DATE	
CHECKED BY		DATE	
APPROVED BY		DATE	
MATERIAL NO.		DOCUMENT NO.	
SIZE		THIS DRAWING CONTAINS INFORMATION THAT IS PROPRIETARY TO MOLEX INCORPORATED AND SHOULD NOT BE USED WITHOUT WRITTEN PERMISSION	

DRAWN BY		DATE	
CHECKED BY		DATE	
APPROVED BY		DATE	
MATERIAL NO.		DOCUMENT NO.	
SIZE		THIS DRAWING CONTAINS INFORMATION THAT IS PROPRIETARY TO MOLEX INCORPORATED AND SHOULD NOT BE USED WITHOUT WRITTEN PERMISSION	

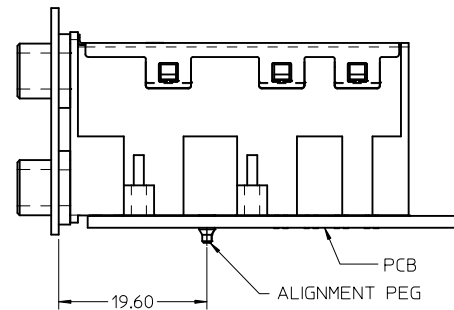
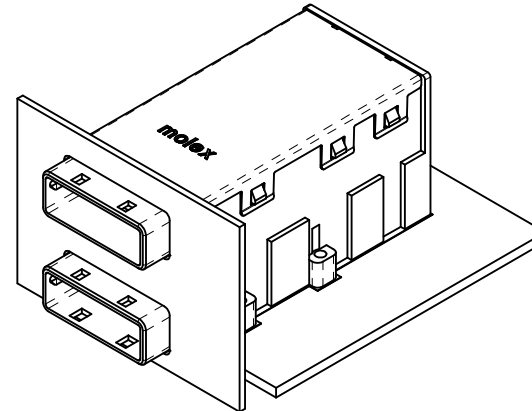


PANEL CUT-OUT

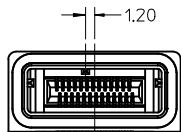
MAXIMUM THICKNESS = 1.50

(NOT SUPPLIED)

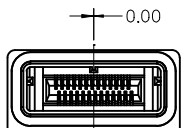
NOTE : EDGE OF CUT-OUT IS BELOW THE PCB



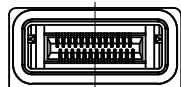
ASSEMBLY VIEW



KEY WAY - 3



KEY WAY - 4



KEY WAY - NONE

KEY WAY OPTIONS

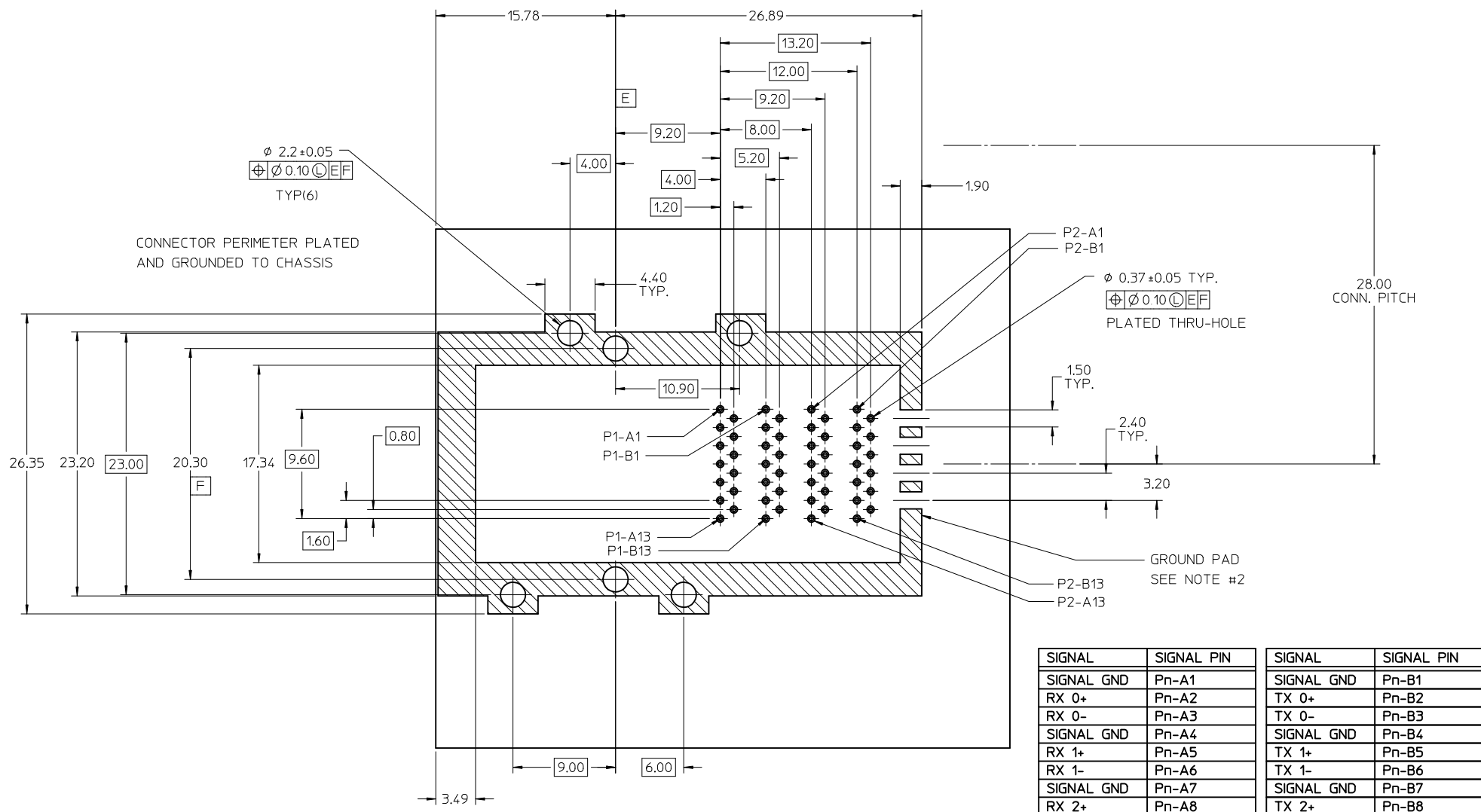
PART NUMBER	KEY WAY
75758-0101	NONE
75758-0102	#3
75758-0103	#4
-	-
-	-
-	-
-	-
-	-

SEE SHEET 1 EC NO: UCP2011-3957 DRWN: JGONZALEZ01 2011/06/21 CHKD: KLANG 2011/06/21 APPR: MBANAKIS 2011/07/06	QUALITY SYMBOLS	GENERAL TOLERANCES (UNLESS SPECIFIED)	DIMENSION STYLE	SCALE	DESIGN UNITS	THIRD ANGLE PROJECTION
	▽=0	mm INCH	MM ONLY	2:1	METRIC	
	▽=0	4 PLACES ± --- ± ---	DRAWN BY	TITLE		
		3 PLACES ± --- ± ---	DATE	IPASS STACKED		

2 PLACES ± 0.25 ± ---	CHECKED BY	DATE	26/26 CIRCUIT CONNECTOR		
1 PLACE ± 0.25 ± ---	KLANG	01/23/08			
ANGULAR ± 1/2°	APPROVED BY	DATE			
	MBANAKIS	01/23/08			
DRAFT WHERE APPLICABLE MUST REMAIN WITHIN DIMENSIONS	MATERIAL NO.				
	SEE SHEET 1				

MOLEX INCORPORATED	
DOCUMENT NO.	SHEET NO.
SD-75758-002	2 OF 3

THIS DRAWING CONTAINS INFORMATION THAT IS PROPRIETARY TO MOLEX INCORPORATED AND SHOULD NOT BE USED WITHOUT WRITTEN PERMISSION	
---	--



SIGNAL	SIGNAL PIN	SIGNAL	SIGNAL PIN
SIGNAL GND	Pn-A1	SIGNAL GND	Pn-B1
RX 0+	Pn-A2	TX 0+	Pn-B2
RX 0-	Pn-A3	TX 0-	Pn-B3
SIGNAL GND	Pn-A4	SIGNAL GND	Pn-B4
RX 1+	Pn-A5	TX 1+	Pn-B5
RX 1-	Pn-A6	TX 1-	Pn-B6
SIGNAL GND	Pn-A7	SIGNAL GND	Pn-B7
RX 2+	Pn-A8	TX 2+	Pn-B8
RX 2-	Pn-A9	TX 2-	Pn-B9
SIGNAL GND	Pn-A10	SIGNAL GND	Pn-B10
RX 3+	Pn-A11	TX 3+	Pn-B11
RX 3-	Pn-A12	TX 3-	Pn-B12
SIGNAL GND	Pn-A13	SIGNAL GND	Pn-B13

Pn - 'n' DENOTES PORT NUMBER

- NOTES :
- CROSS-HATCHED AREA MUST BE INCORPORATED IN THE FLAT ROCK PRESS-FIT TOOLING.
 - PLATE GROUND PAD WITH EMERSION SILVER OR GOLD.
 - RECOMMENDED DRILL SIZE FOR 0.37 ϕ FINISHED PTH IS 0.457 ϕ (#77 DRILL)
 - RECOMMENDED ANNULAR RING AROUND 0.37 ϕ FINISHED PTH IS 0.73 ϕ

RECOMMENDED PCB LAYOUT

THICKNESS = 1.35mm MIN.

SEE SHEET 1 EC NO: UCP2011-3957 DRWN: JGONZALEZ01 2011/06/21 CHKD: KLANG 2011/06/21 APPR: MBANAKIS 2011/07/06	QUALITY SYMBOLS	GENERAL TOLERANCES (UNLESS SPECIFIED) <table border="1"> <tr> <th></th> <th>mm</th> <th>INCH</th> </tr> <tr> <td>4 PLACES</td> <td>± 0.15</td> <td>± 0.006</td> </tr> <tr> <td>3 PLACES</td> <td>± 0.20</td> <td>± 0.008</td> </tr> <tr> <td>2 PLACES</td> <td>± 0.25</td> <td>± 0.010</td> </tr> <tr> <td>1 PLACE</td> <td>± 0.25</td> <td>± 0.010</td> </tr> </table> ANGULAR ±1/2° DRAFT WHERE APPLICABLE MUST REMAIN WITHIN DIMENSIONS		mm	INCH	4 PLACES	± 0.15	± 0.006	3 PLACES	± 0.20	± 0.008	2 PLACES	± 0.25	± 0.010	1 PLACE	± 0.25	± 0.010
			mm	INCH													
	4 PLACES		± 0.15	± 0.006													
	3 PLACES		± 0.20	± 0.008													
2 PLACES	± 0.25	± 0.010															
1 PLACE	± 0.25	± 0.010															
DESCRIPTION																	
REV																	

DIMENSION STYLE MM ONLY DRAWN BY JJANTELEZ10 CHECKED BY KLANG APPROVED BY MBANAKIS MATERIAL NO. SEE SHEET 1 SIZE C	DATE	01/23/08
	DATE	01/23/08
	DATE	01/23/08
	DATE	01/23/08

DIMENSION STYLE	SCALE	DESIGN UNITS	THIRD ANGLE PROJECTION
MM ONLY	2:1	METRIC	

TITLE

**IPASS STACKED
26/26 CIRCUIT CONNECTOR**

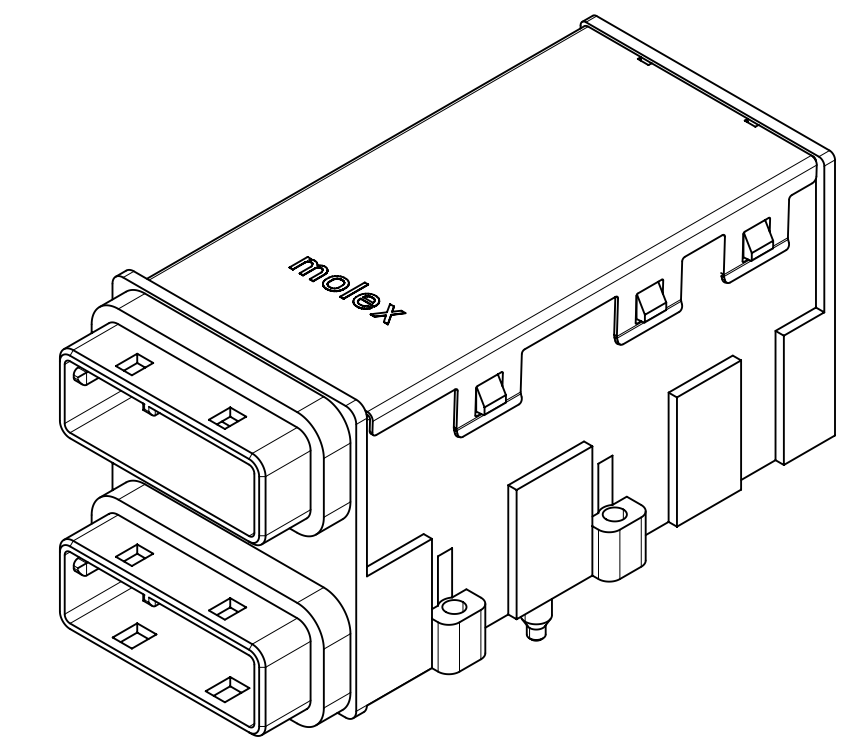
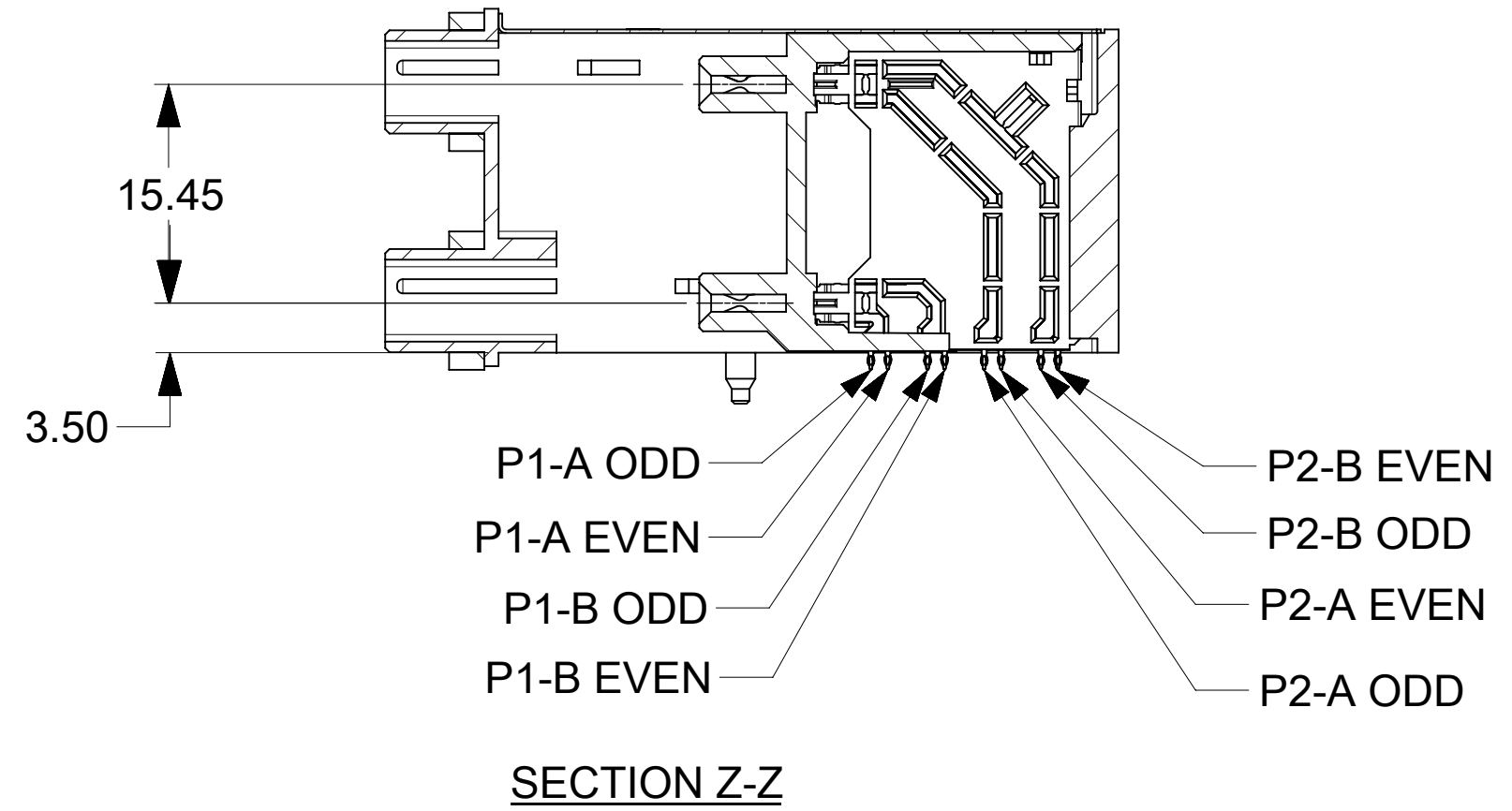
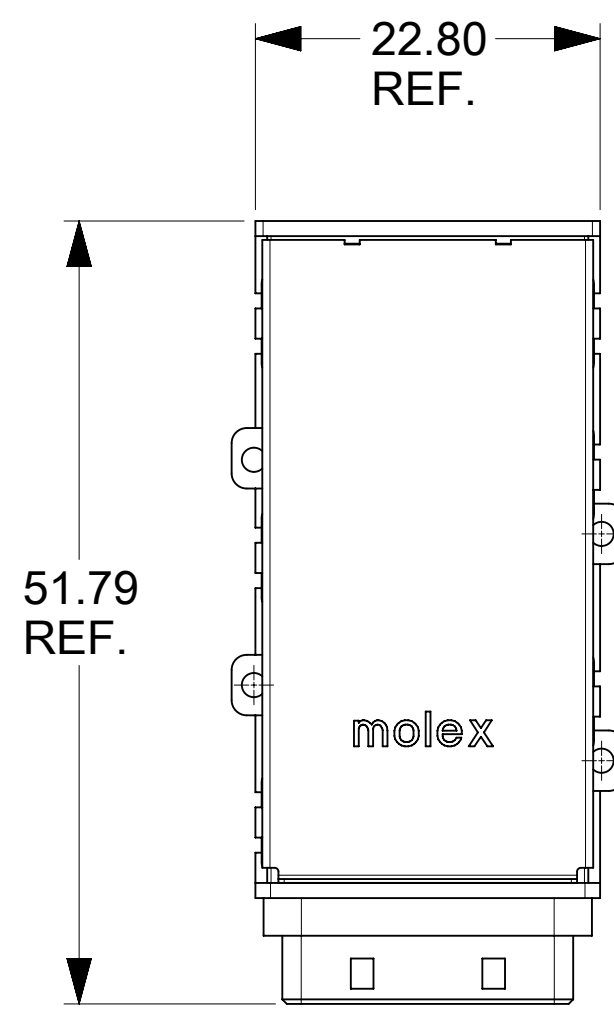
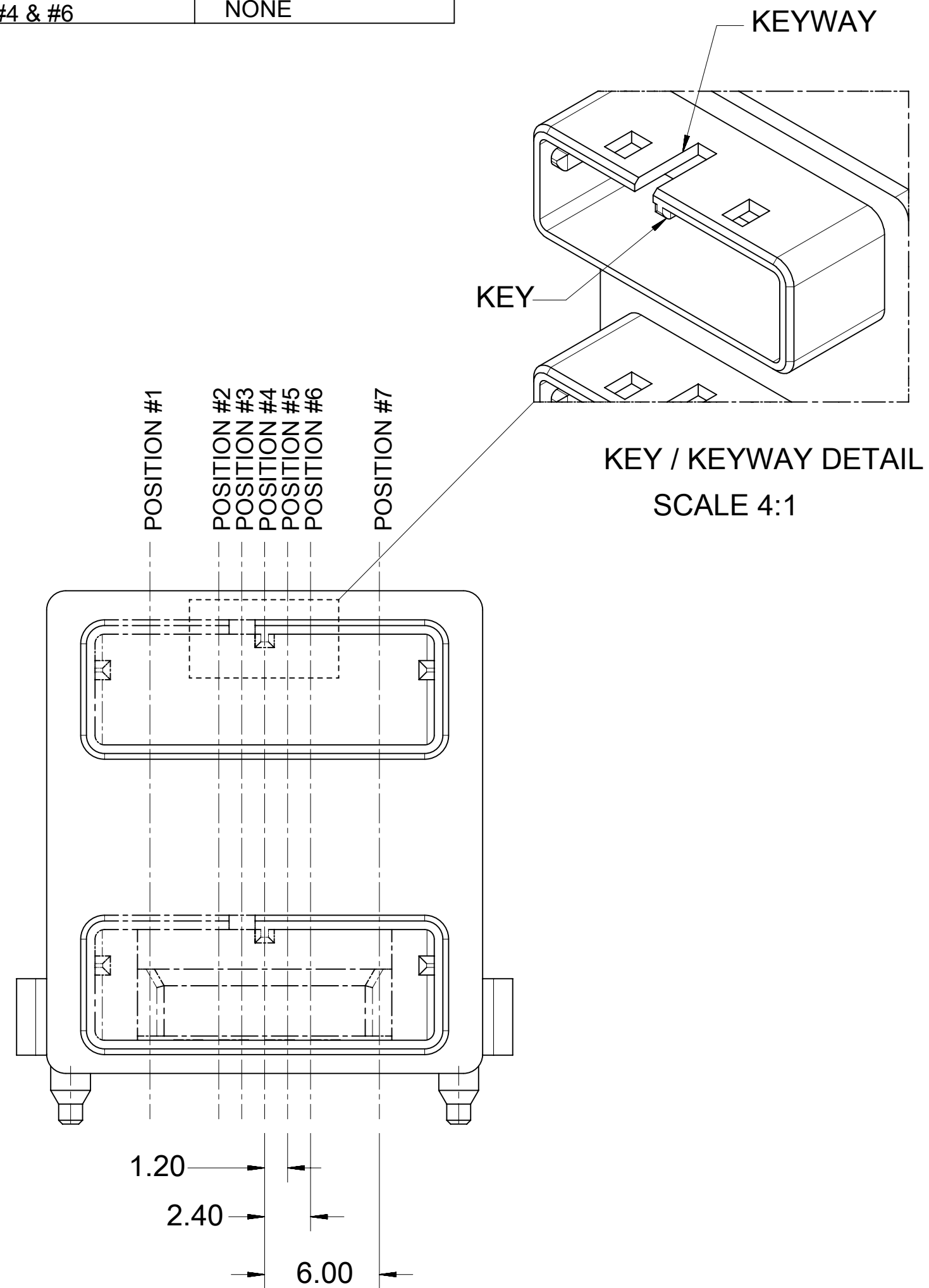
MOLEX INCORPORATED

DOCUMENT NO. **SD-75758-002**

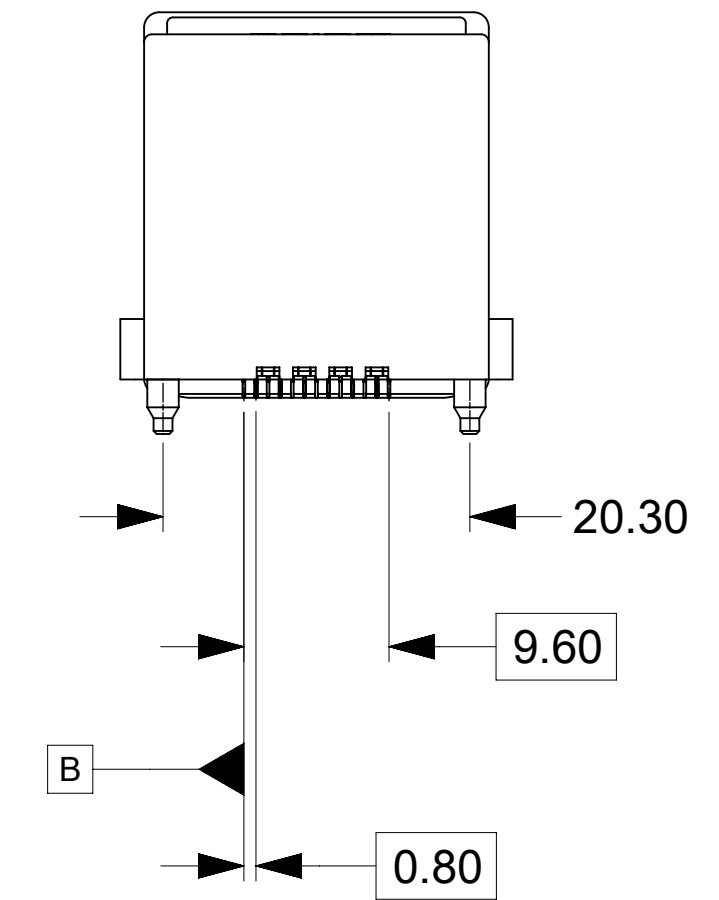
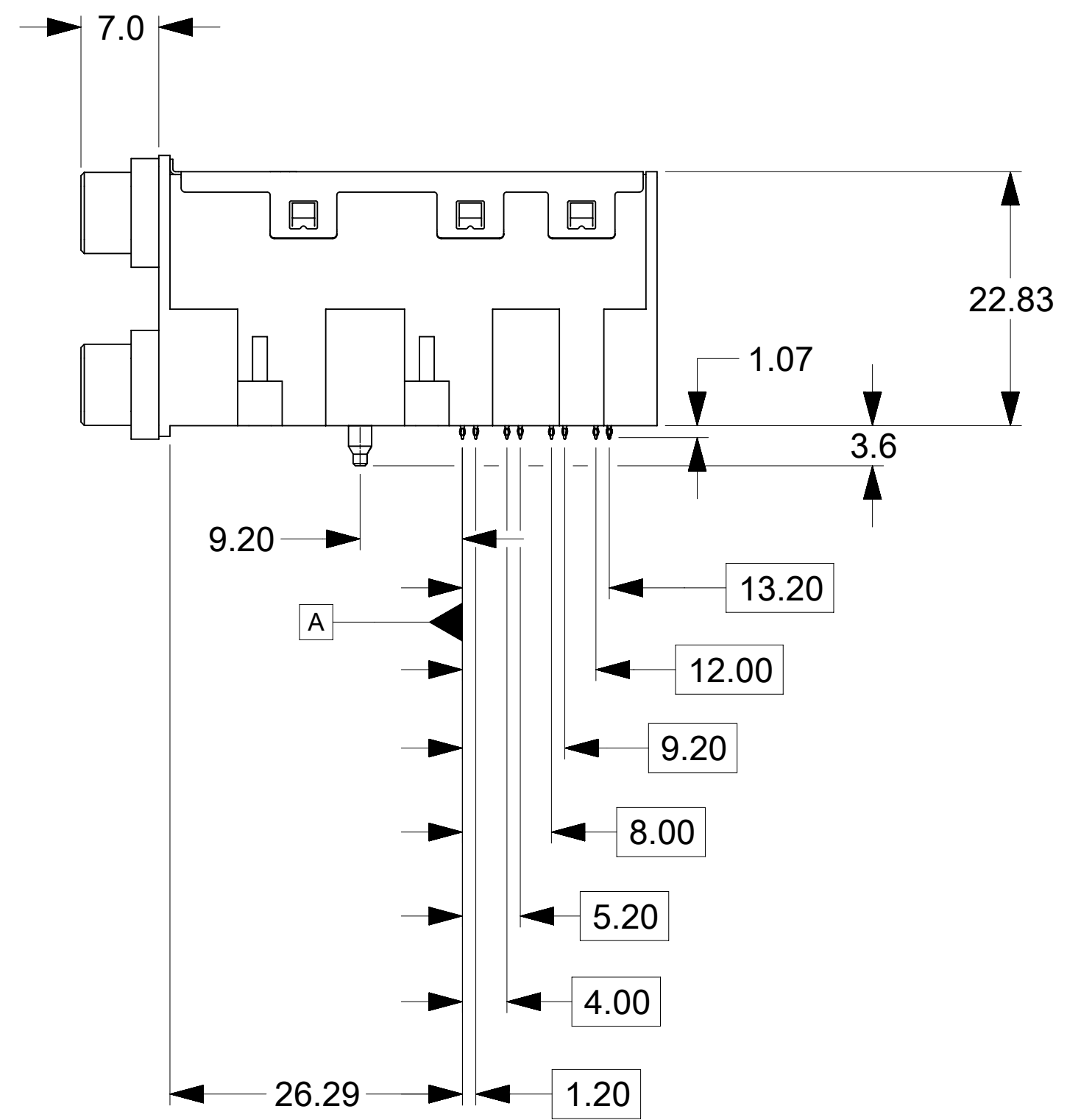
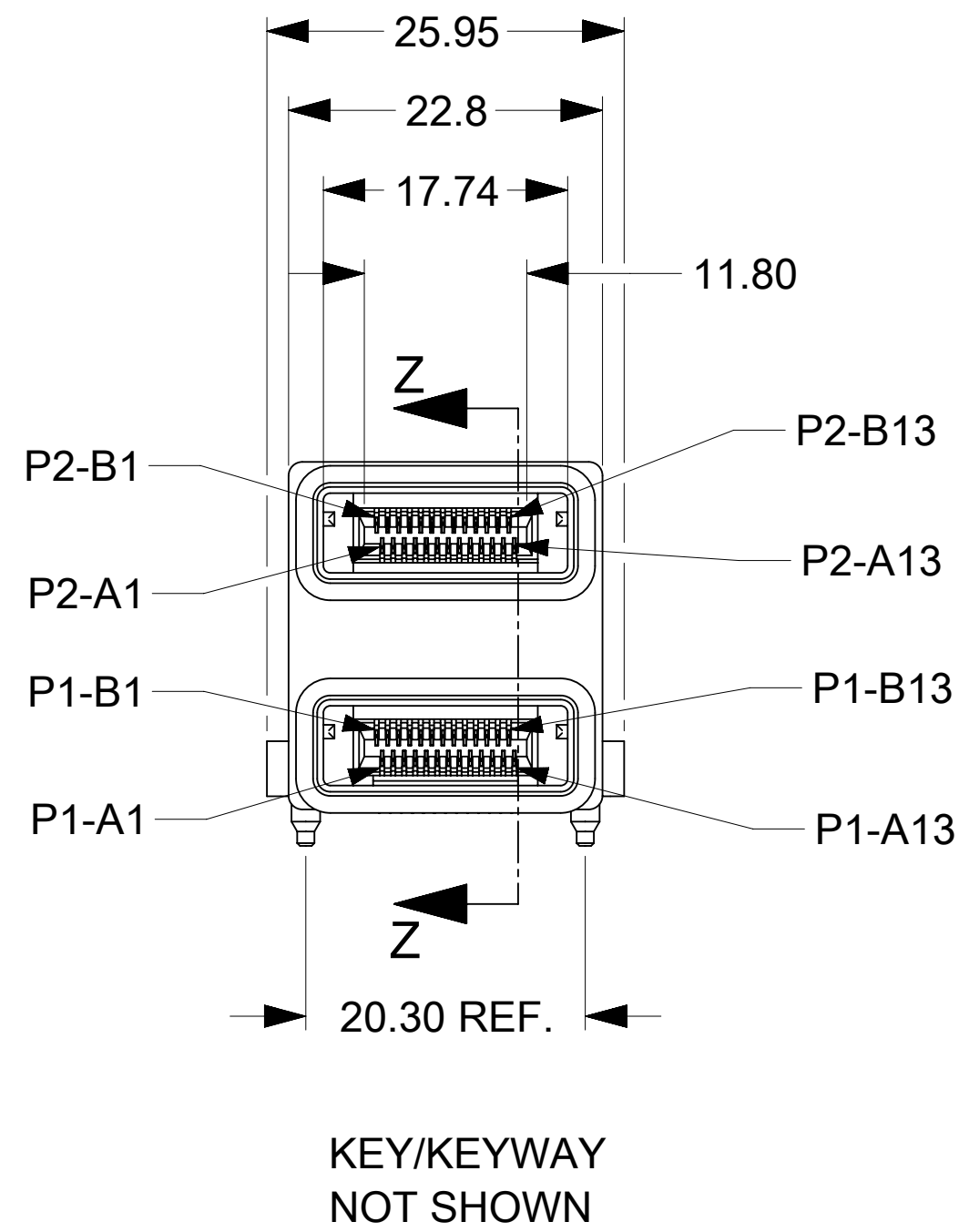
SHEET NO. **3 OF 3**

THIS DRAWING CONTAINS INFORMATION THAT IS PROPRIETARY TO MOLEX INCORPORATED AND SHOULD NOT BE USED WITHOUT WRITTEN PERMISSION

KEYING & PLATING OPTIONS			
TIN/LEAD PART NUMBER	LEAD FREE PART NUMBER	KEY POSITION	KEYWAY POSITION
75758-0102	75758-0202	#3	NONE
75758-0103	75758-0203	#4	NONE
75758-0104	75758-0204	#4	#3 & #5
75758-0105	75758-0205	NONE	#3 & #5
75758-0106	75758-0206	#4	#3
75758-0107	75758-0207	NONE	#3
75758-0108	75758-0208	#4	#5
75758-0109	75758-0209	NONE	#5
75758-0111	75758-0211	#4 & #6	NONE



75758-0101 (OBSOLETE)
SHOWN FOR REF. ONLY

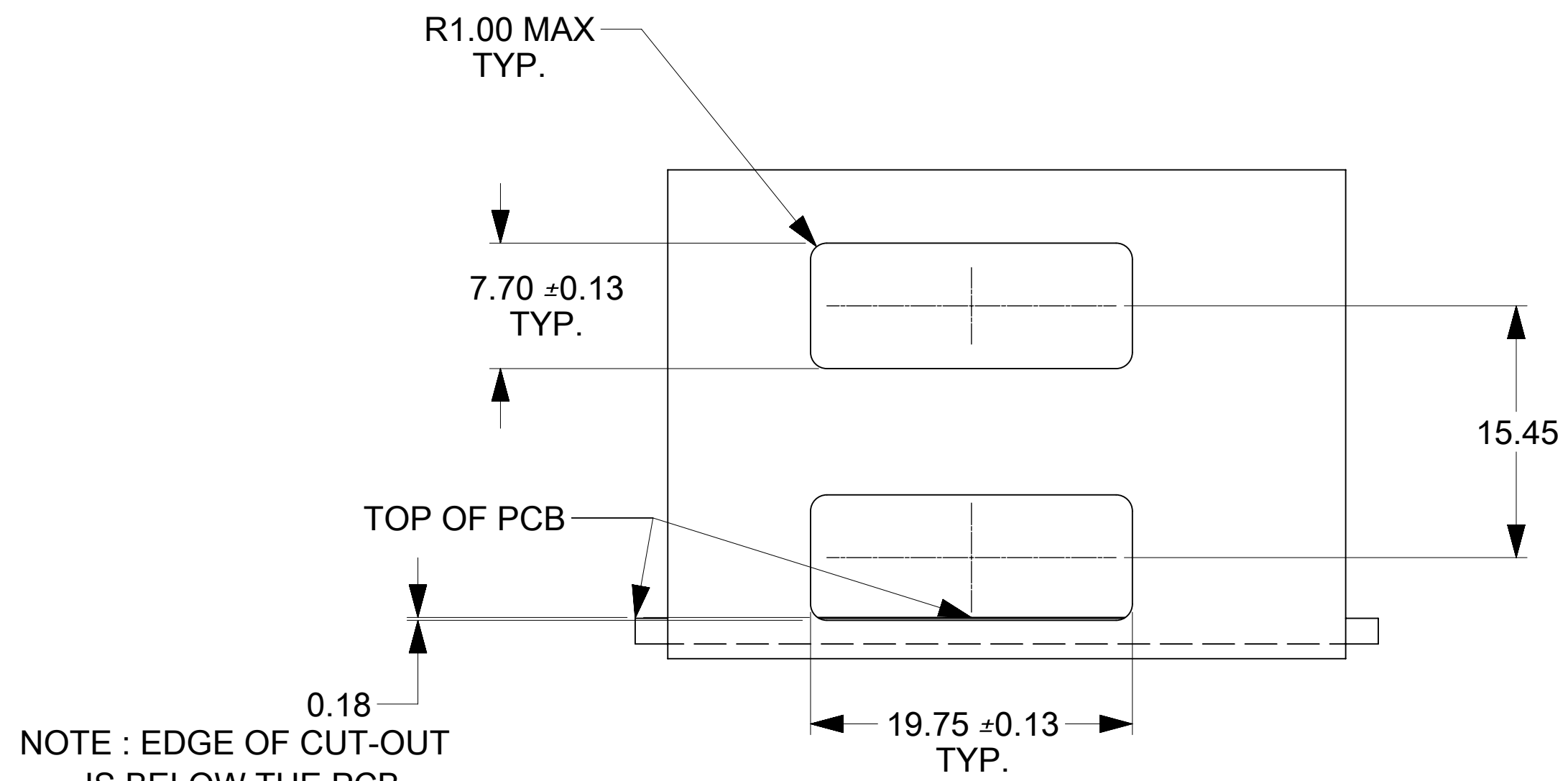


NOTES :

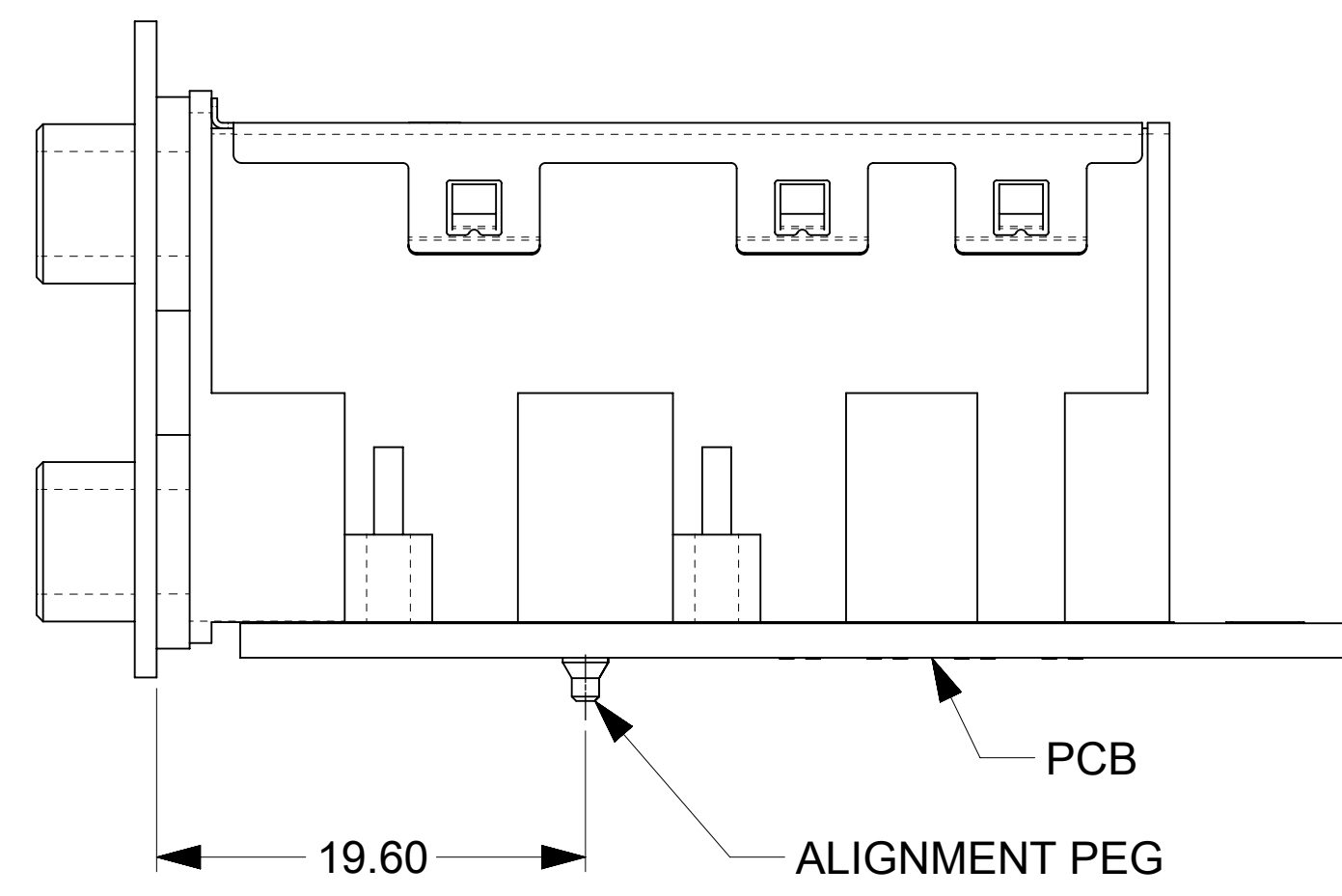
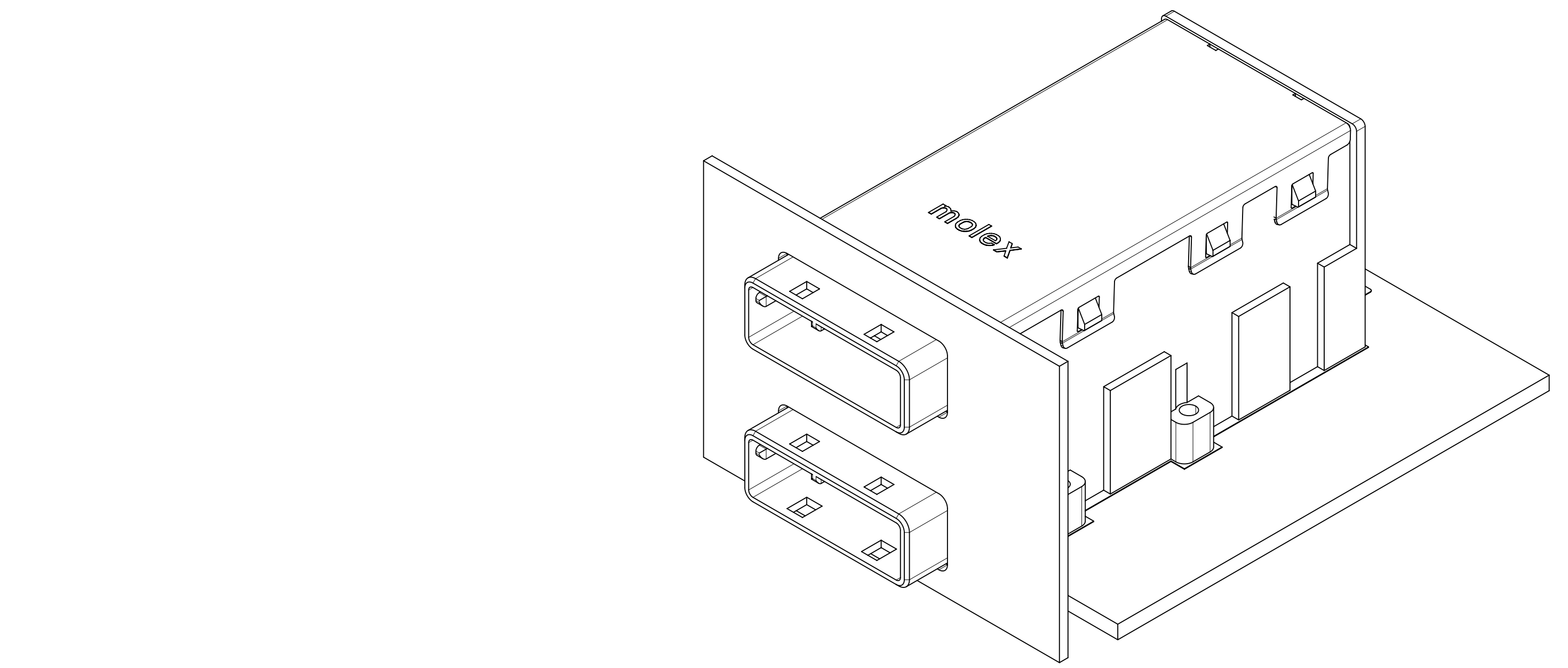
- MATERIALS :
CONNECTOR HOUSING - HIGH TEMP THERMOPLASTIC, GLASS-FILLED, UL94V-0, COLOR - BLACK
EMI HOUSING - DIE CAST ALLOY, FINISH: NICKEL
COVER - STAINLESS STEEL ALLOY
CPI TERMINALS - COPPER ALLOY
EMI GASKETS - CONDUCTIVE POLYMER
- TERMINAL PLATING : SEE CHART
OPTION 1) TIN/LEAD - CONTACT AREA - 0.7μ MIN GOLD OVER 2.5μ MIN NICKEL. COMPLIANT AREA - 0.7-1.5μm TIN/LEAD (90/10) OVER 1.2μm MIN NICKEL.

OPTION 2) LEAD FREE - CONTACT AREA - 0.7μ MIN GOLD OVER 2.5μ MIN NICKEL. COMPLIANT AREA - 0.7-1.5μm TIN (TIN ONLY) OVER 1.2μm MIN NICKEL.
- PACKAGING SPECIFICATION : TRAY PACK (TBD)
- REFER TO PS-75586-001 PRODUCT SPEC FOR ALL ELECTRICAL, MECHANICAL AND ENVIRONMENTAL SPECIFICATIONS.
- THIS CONNECTOR IS DESIGNED TO MATE WITH MOLEX CABLE SERIES 74548.
- REQUIRES MOUNTING HARDWARE : (4) M2 X 8MM CAP SCREWS OR EQUIV. MAX. TORQUE 2.3 in/lbs.
- PRODUCT IS RoHS COMPLIANT.


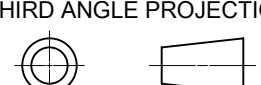
THIS DRAWING CONTAINS INFORMATION THAT IS PROPRIETARY TO MOLEX ELECTRONIC TECHNOLOGIES, LLC AND SHOULD NOT BE USED WITHOUT WRITTEN PERMISSION											
DIMENSION UNITS		SCALE		CURRENT REV DESC: OBSOLETE PART NO							
mm		2:1									
GENERAL TOLERANCES (UNLESS SPECIFIED)											
		MM		INCH		EC NO: 625872					
4 PLACES		±		±		DRWN: VLOKESHA			2019/09/16		
3 PLACES		±		±		CHK'D: GB			2019/11/08		
2 PLACES		± 0.25		±		APPR: GGA			2019/11/12		
1 PLACE		± 0.25		±		INITIAL REVISION:					
0 PLACES		±		±		DRWN: JJANTELEZIO			2008/01/23		
ANGULAR TOL		± 0.5°		±		APPR: MBANAKIS			2008/01/23		
DRAFT WHERE APPLICABLE MUST REMAIN WITHIN DIMENSIONS				THIRD ANGLE PROJECTION		DRAWING		SERIES		MATERIAL NUMBER	
				D-SIZE		75758		SEE CHART		CUSTOMER	
								GENERAL MARKET		SHEET NUMBER	
								1 OF 3			

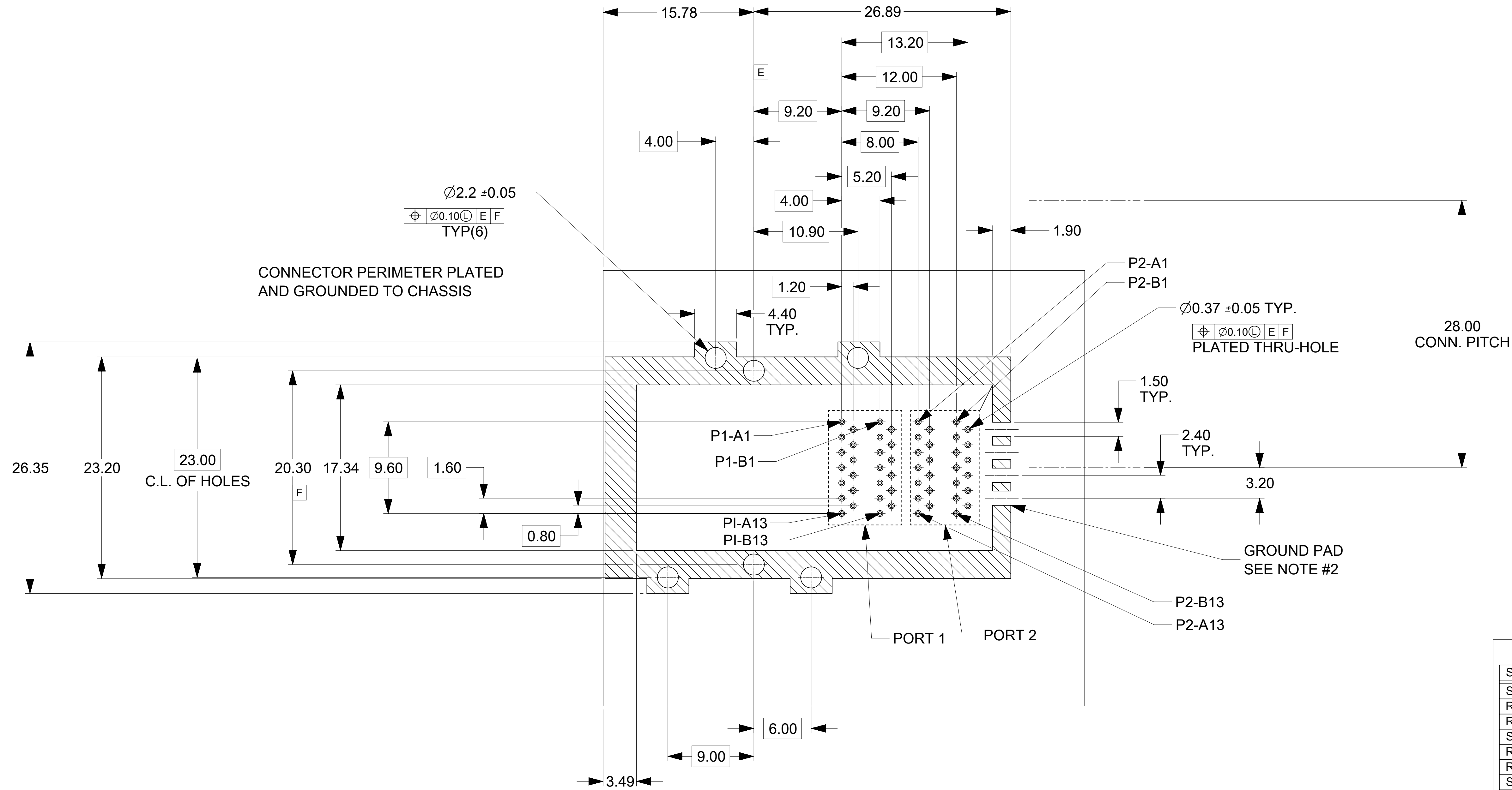


PANEL CUT-OUT
 MAXIMUM THICKNESS = 1.50
 (NOT SUPPLIED)



ASSEMBLY VIEW

THIS DRAWING CONTAINS INFORMATION THAT IS PROPRIETARY TO MOLEX ELECTRONIC TECHNOLOGIES, LLC AND SHOULD NOT BE USED WITHOUT WRITTEN PERMISSION																					
DIMENSION UNITS		SCALE		CURRENT REV DESC: OBSOLETE PART NO																	
mm		3:1		 IPASS STACKED 26/26 CIRCUIT CONNECTOR PRODUCT CUSTOMER DRAWING																	
GENERAL TOLERANCES (UNLESS SPECIFIED)												EC NO: 625872				2019/09/16					
		MM										INCH		DRWN: VLOKESHA				2019/11/08			
4 PLACES		±										±		CHK'D: GB				2019/11/12			
3 PLACES		±										±		APPR: GGA				2019/11/12			
2 PLACES		±										0.25		±		INITIAL REVISION:				2008/01/23	
1 PLACE		±		0.25		±		DRWN: JJANTELEZIO				2008/01/23									
0 PLACES		±		±		±		APPR: MBANAKIS				2008/01/23									
ANGULAR TOL				±		0.5 °		THIRD ANGLE PROJECTION				DRAWING									
DRAFT WHERE APPLICABLE MUST REMAIN WITHIN DIMENSIONS				THIRD ANGLE PROJECTION		DRAWING		SERIES		MATERIAL NUMBER		CUSTOMER		SHEET NUMBER							
						D-SIZE		75758		SEE CHART		GENERAL MARKET		2 OF 3							
DOCUMENT STATUS		P1		RELEASE DATE		2019/11/12		07:19:27		DOCUMENT NUMBER		DOC TYPE		DOC PART		REVISION					
SD-75758-010		PSD		001		D1															



RECOMMENDED PCB LAYOUT

THICKNESS = 1.35mm MIN.

PORT 1		PORT 2	
SIGNAL	SIGNAL PIN	SIGNAL	SIGNAL PIN
SIGNAL GND	A1	SIGNAL GND	B1
RX 0+	A2	TX 0+	B2
RX 0-	A3	TX 0-	B3
SIGNAL GND	A4	SIGNAL GND	B4
RX 1+	A5	TX 1+	B5
RX 1-	A6	TX 1-	B6
SIGNAL GND	A7	SIGNAL GND	B7
RX 2+	A8	TX 2+	B8
RX 2-	A9	TX 2-	B9
SIGNAL GND	A10	SIGNAL GND	B10
RX 3+	A11	TX 3+	B11
RX 3-	A12	TX 3-	B12
SIGNAL GND	A13	SIGNAL GND	B13

PIN ASSIGNMENT

NOTES:

- CROSS-HATCHED AREA MUST BE INCORPORATED IN THE FLAT ROCK PRESS-FIT TOOLING.
- RECOMMENDED LED'S INCLUDE THE FOLLOWING :
 DIALIGHT : 597-77x1-5xx SERIES
 CHICAGO MINIATURE : 7016 SERIES
 KINGBRIGHT : APBL3025 SERIES (BICOLOR)
 APL3015 SERIES (SINGLE COLOR)
- LED'S MUST HAVE A MAXIMUM HEIGHT OF 1.4mm AND A MINIMUM HEIGHT OF 0.7mm
- PLATE GROUND PAD WITH EMERSION SILVER OR GOLD.
- RECOMMENDED DRILL SIZE FOR 0.37Ø FINISHED PTH IS 0.457Ø (#77 DRILL)
- RECOMMENDED ANNULAR RING AROUND 0.37Ø FINISHED PTH IS 0.73Ø

THIS DRAWING CONTAINS INFORMATION THAT IS PROPRIETARY TO MOLEX ELECTRONIC TECHNOLOGIES, LLC AND SHOULD NOT BE USED WITHOUT WRITTEN PERMISSION

DIMENSION UNITS	SCALE	CURRENT REV DESC: OBSOLETE PART NO		
mm	4:1			
GENERAL TOLERANCES (UNLESS SPECIFIED)		EC NO: 625872		
	MM	INCH		
4 PLACES	±	±	DRWN: VLOKESHA 2019/09/16	
3 PLACES	±	±	CHK'D: GB 2019/11/08	
2 PLACES	±	0.25	±	APPR: GGA 2019/11/12
1 PLACE	±	0.25	±	INITIAL REVISION:
0 PLACES	±	±	±	DRWN: JJANTELEZIO 2008/01/23
ANGULAR TOL ± 0.5°		APPR: MBANAKIS 2008/01/23		
DRAFT WHERE APPLICABLE MUST REMAIN WITHIN DIMENSIONS		THIRD ANGLE PROJECTION	DRAWING	
			D-SIZE	
		SERIES	75758	
DOCUMENT NUMBER		DOC TYPE	DOC PART	
SD-75758-010		PSD	001	
REVISION		D1		
MATERIAL NUMBER		CUSTOMER	SHEET NUMBER	
SEE CHART		GENERAL MARKET	3 OF 3	