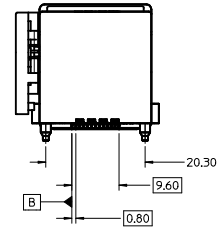
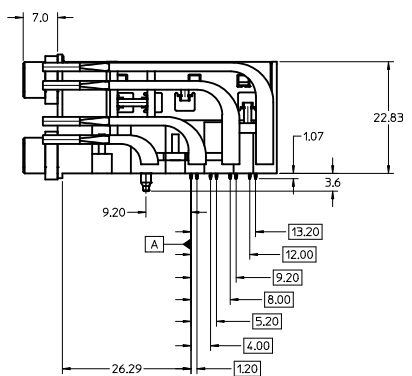
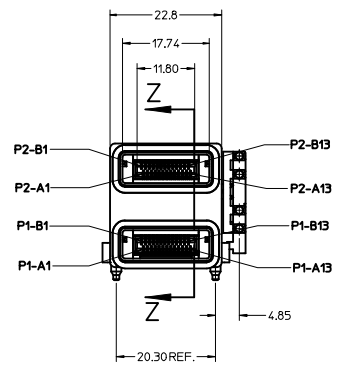
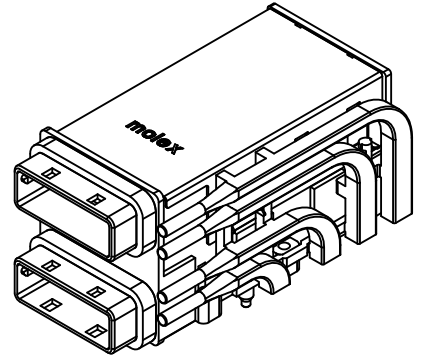
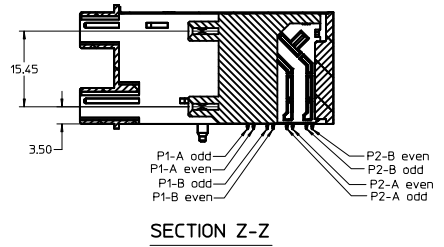
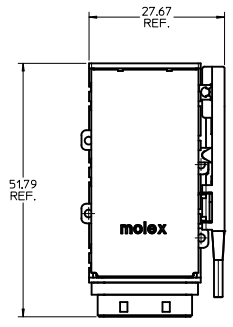
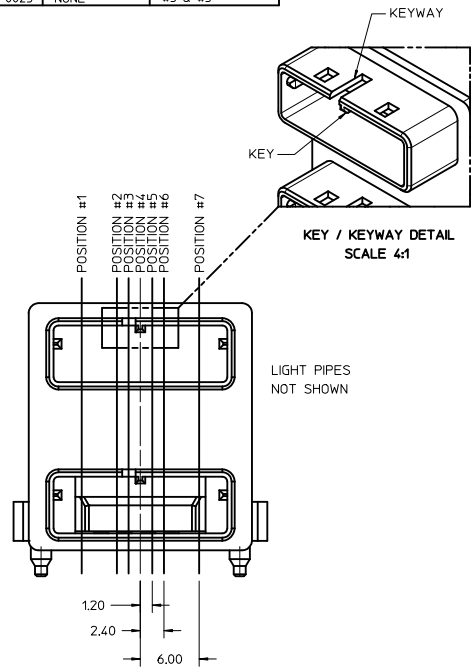
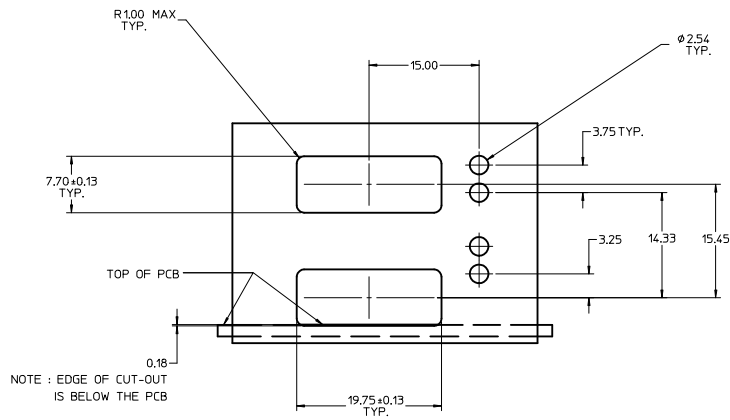


KEY/KEYWAY OPTIONS			
PART NUMBER	KEY POSITION	KEYWAY POSITION	
TIN/LEAD	LEAD-FREE		
75758-0001	75758-0021	NONE	NONE
75758-0002	75758-0022	#3	NONE
75758-0003	75758-0023	#4	NONE
75758-0004	75758-0024	#4	#3 & #5
75758-0005	75758-0025	NONE	#3 & #5



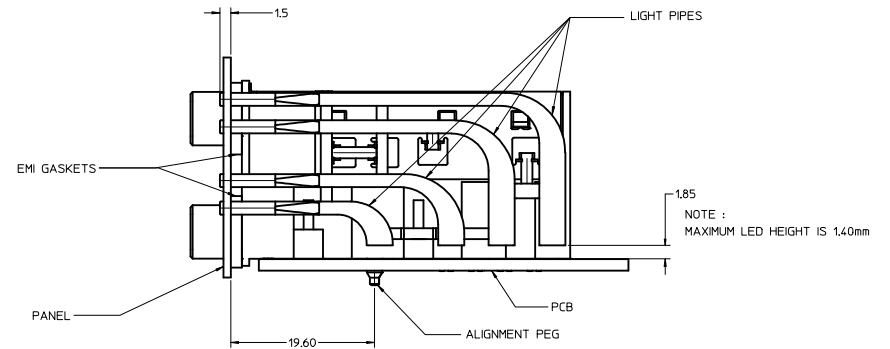
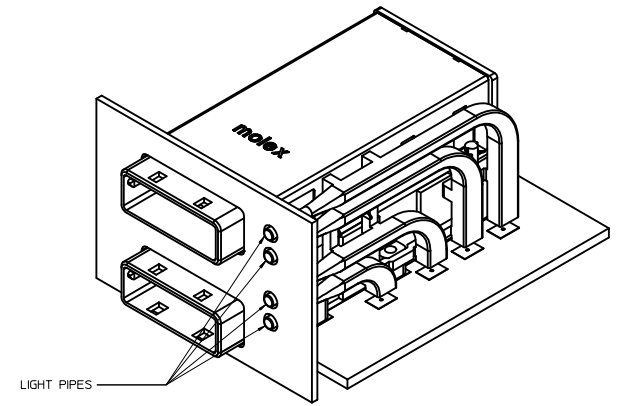
- NOTES :
- MATERIALS :  
CONNECTOR HOUSING - HIGH TEMP THERMOPLASTIC,  
GLASS-FILLED, UL94V-0,  
COLOR - BLACK  
EMI HOUSING - DIE CAST ALLOY, NICKEL PLATED FINISH  
COVER - STAINLESS STEEL ALLOY  
CPI TERMINALS - COPPER ALLOY  
EMI GASKETS - CONDUCTIVE POLYMER  
LIGHT PIPE - CLEAR THERMOPLASTIC, UL94V-0
  - TERMINAL PLATING :  
CONTACT AREA - 0.76µ MIN GOLD OVER 2.54µ MIN NICKEL.  
COMPLIANT AREA - 0.76-1.52µ TIN/LEAD (90/10) OVER  
2.54µ MIN NICKEL.
  - PACKAGING SPECIFICATION : TRAY PACK IN BOX.
  - REFER TO PS-75586-001 PRODUCT SPEC FOR ALL ELECTRICAL, MECHANICAL AND ENVIRONMENTAL SPECIFICATIONS.
  - THIS CONNECTOR IS DESIGNED TO MATE WITH MOLEX CABLE SERIES 74548.
  - REQUIRES MOUNTING HARDWARE : (4) M2 X 8MM CAP SCREWS OR EQUIV.  
MAX. TORQUE 2.3 in/lbs.

ADD LEAD-FREE #'s EC NO. UCP2012-1003 DRWNS:SRIGIEL CHKD: APPR:RBANKIS REV DESCRIPTION 2011/10/13 2011/10/20	QUALITY SYMBOLS	GENERAL TOLERANCES (UNLESS SPECIFIED)	DIMENSION STYLE	SCALE	DESIGN UNITS	THIRD ANGLE PROJECTION
	∇=0 ∇=0 ∇=0	4 PLACES ± --- INCH 3 PLACES ± --- INCH 2 PLACES ± 0.25 INCH 1 PLACE ± 0.25 INCH ANGULAR ±1/2°	mm INCH	MM ONLY	2:1	METRIC
DRAFT WHERE APPLICABLE MUST REMAIN WITHIN DIMENSIONS		MATERIAL NO. 75758-000* SIZE D		DOCUMENT NO. SD-75758-001 MOLEX INCORPORATED		TITLE: IPASS STACKED 26/26 CIRCUIT CONNECTOR W/LIGHT PIPES SHEET NO. 1 OF 3



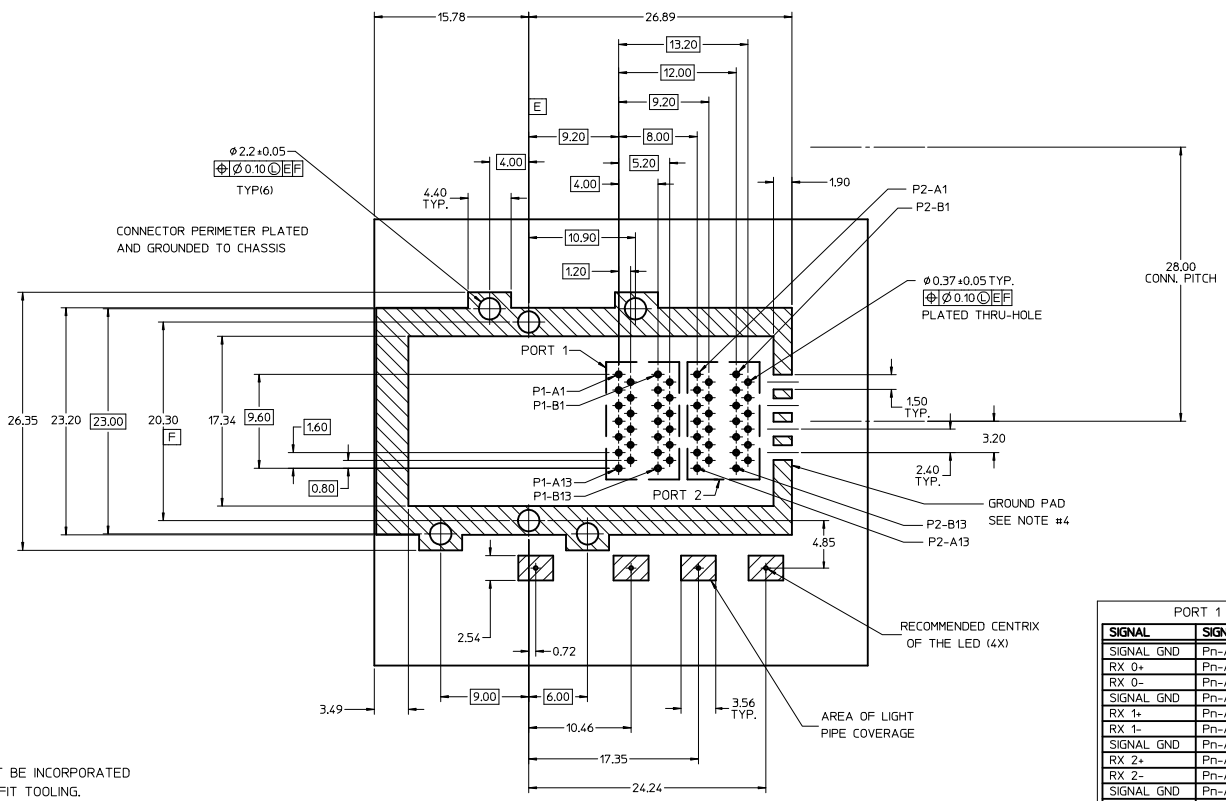
**PANEL CUT-OUT**

MAXIMUM THICKNESS = 1.50  
(NOT SUPPLIED)



**ASSEMBLY VIEW**

<b>SEE SHEET 1</b> IEC NO: UCP2012-1063 DRAWN: SROGIEL 2011/10/13 CHKD: APPR: HBANKIS 2011/10/20	QUALITY SYMBOLS	GENERAL TOLERANCES (UNLESS SPECIFIED)	DIMENSION STYLE	SCALE	DESIGN UNITS	THIRD ANGLE PROJECTION	
	▽=0	mm INCH	MM ONLY	3:1	METRIC		
	▽=0	4 PLACES ± --- ± ---	DRAWN BY DATE			TITLE	
	▽=0	3 PLACES ± --- ± ---	J JANTELEZIO 02/05/2008			IPASS STACKED 26/26 CIRCUIT CONNECTOR W/LIGHT PIPES	
		2 PLACES ± 0.25 ± ---	CHECKED BY DATE				
		1 PLACE ± 0.25 ± ---	KLANG 02/05/2008				
		ANGULAR ± 1/2°	APPROVED BY DATE				
		DRAFT WHERE APPLICABLE MUST REMAIN WITHIN DIMENSIONS	BANKIS 02/05/2008				
			MATERIAL NO.	DOCUMENT NO.			
			75758-000*	SD-75758-001			
			SIZE			SHEET NO.	
			D			2 OF 3	
			THIS DRAWING CONTAINS INFORMATION THAT IS PROPRIETARY TO MOLEX INCORPORATED AND SHOULD NOT BE USED WITHOUT WRITTEN PERMISSION				



PORT 1		PORT 2	
SIGNAL	SIGNAL PIN	SIGNAL	SIGNAL PIN
SIGNAL GND	Pn-A1	SIGNAL GND	Pn-B1
RX 0+	Pn-A2	TX 0+	Pn-B2
RX 0-	Pn-A3	TX 0-	Pn-B3
SIGNAL GND	Pn-A4	SIGNAL GND	Pn-B4
RX 1+	Pn-A5	TX 1+	Pn-B5
RX 1-	Pn-A6	TX 1-	Pn-B6
SIGNAL GND	Pn-A7	SIGNAL GND	Pn-B7
RX 2+	Pn-A8	TX 2+	Pn-B8
RX 2-	Pn-A9	TX 2-	Pn-B9
SIGNAL GND	Pn-A10	SIGNAL GND	Pn-B10
RX 3+	Pn-A11	TX 3+	Pn-B11
RX 3-	Pn-A12	TX 3-	Pn-B12
SIGNAL GND	Pn-A13	SIGNAL GND	Pn-B13

PIN ASSIGNMENT

NOTES:

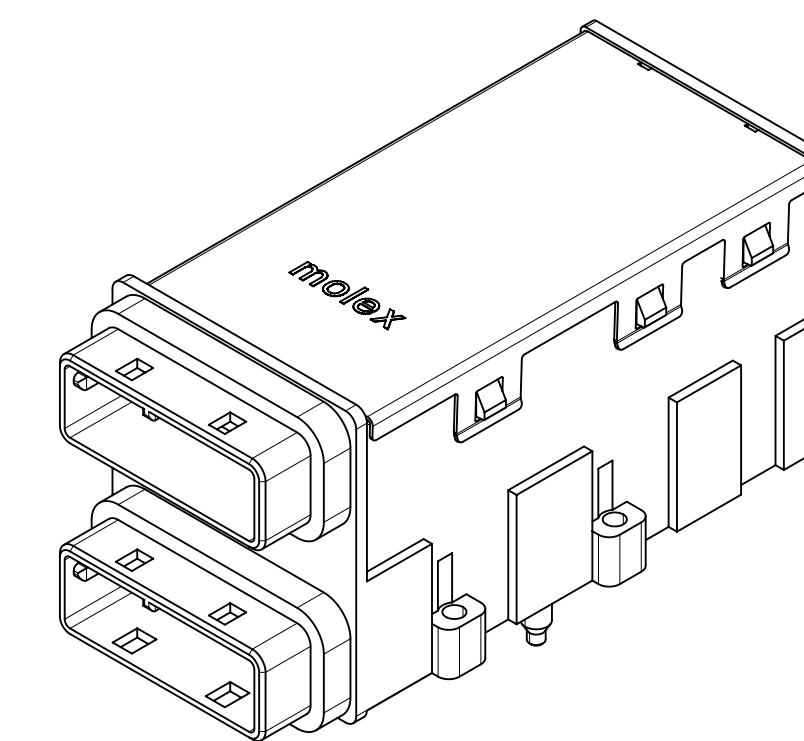
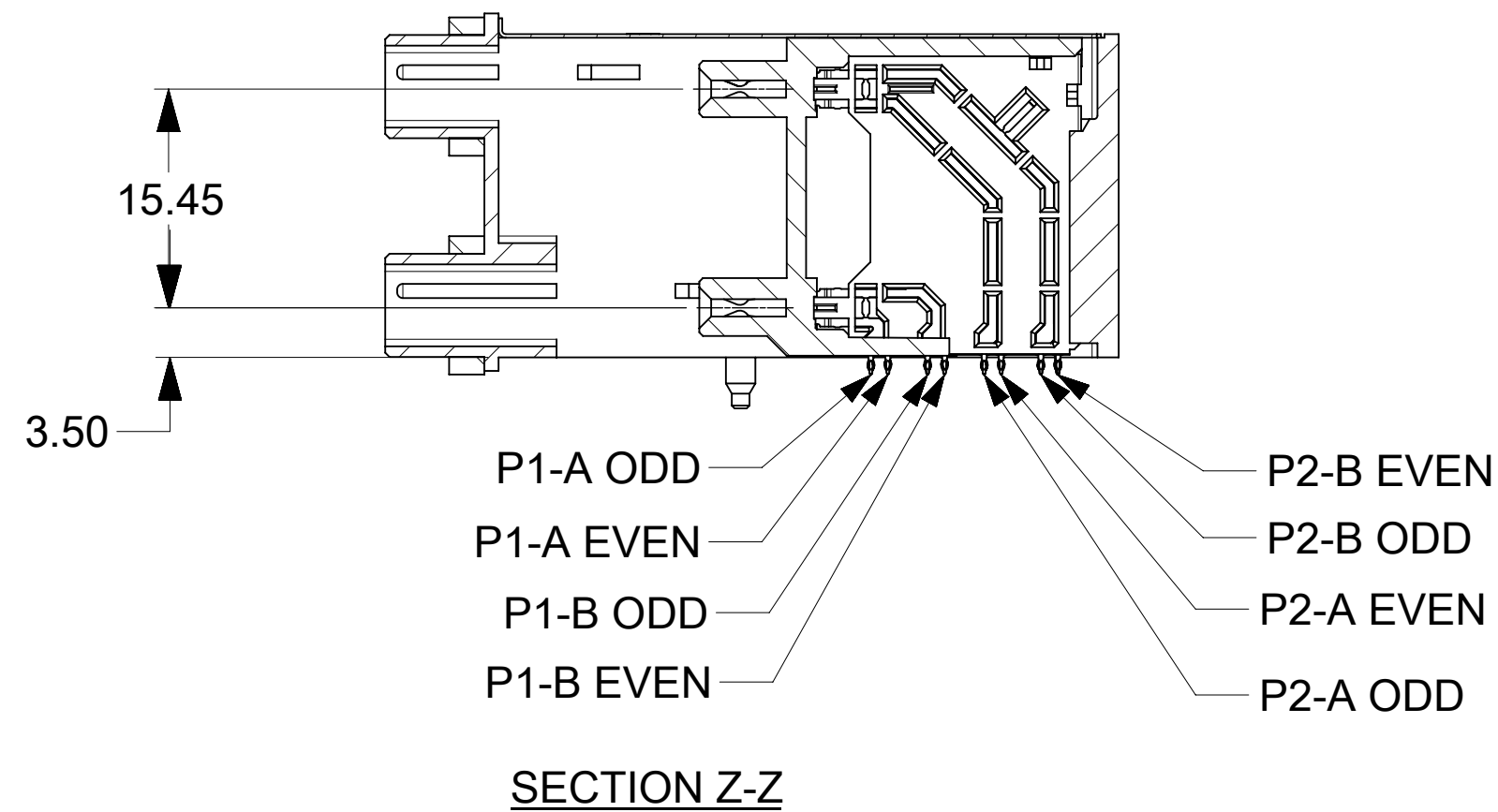
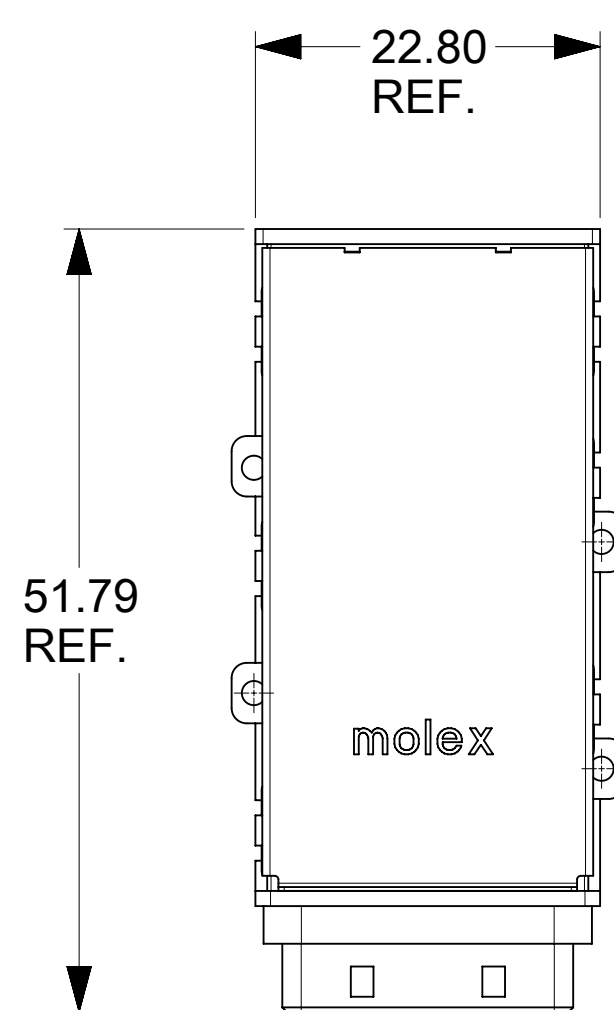
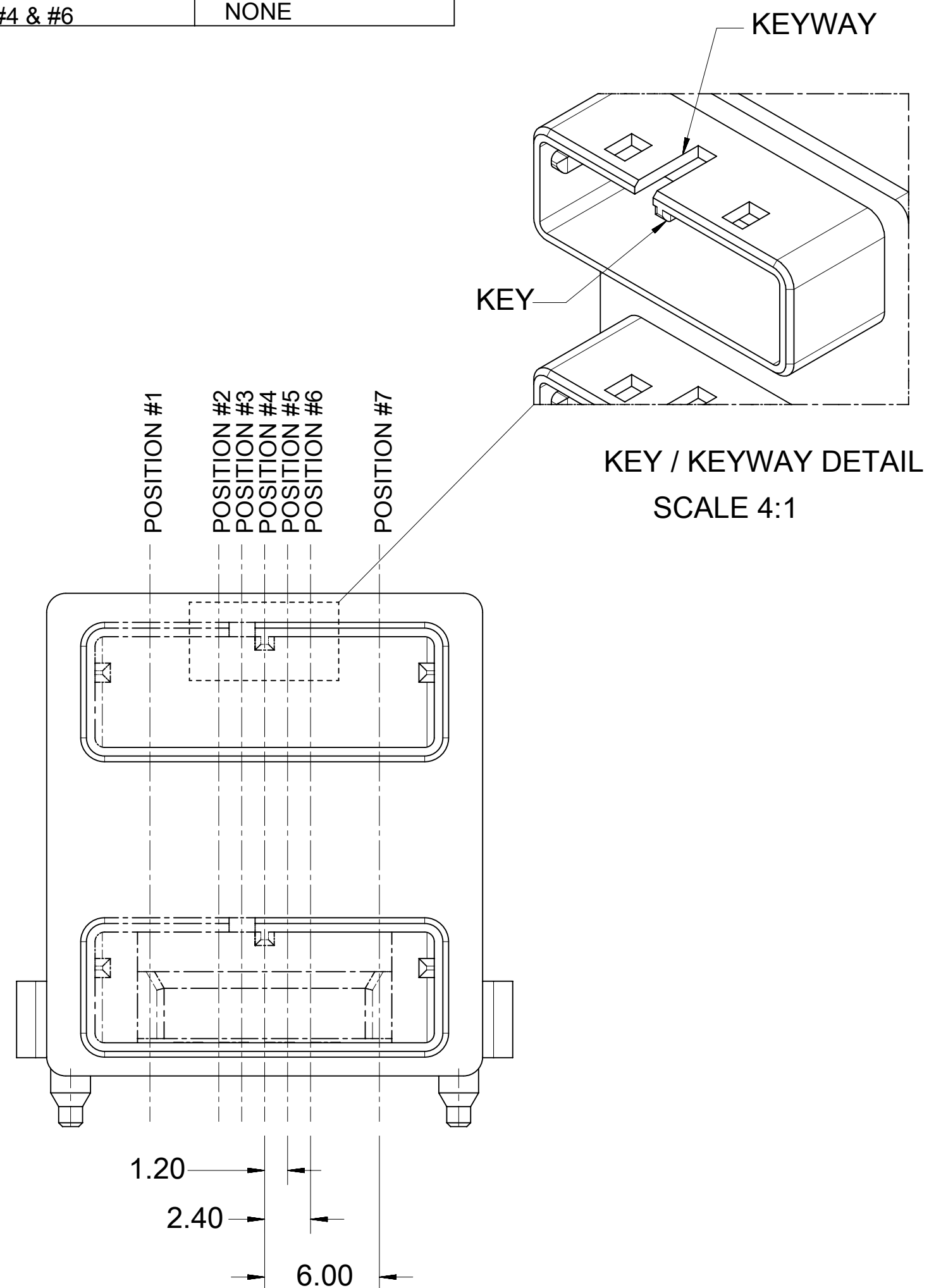
- CROSS-HATCHED AREA MUST BE INCORPORATED IN THE FLAT ROCK PRESS-FIT TOOLING.
- RECOMMENDED LED'S INCLUDE THE FOLLOWING :  
 DIALIGHT : 597-77x1-5xx SERIES  
 CHICAGO MINIATURE : 7016 SERIES  
 KINGBRIGHT : APBL3025 SERIES (BICOLOR)  
 APL3015 SERIES (SINGLE COLOR)
- LED'S MUST HAVE A MAXIMUM HEIGHT OF 1.4mm AND A MINIMUM HEIGHT OF 0.7mm
- PLATE GROUND PAD WITH EMERSON SILVER OR GOLD.
- RECOMMENDED DRILL SIZE FOR 0.37φ FINISHED PTH IS 0.457φ (#77 DRILL)
- RECOMMENDED ANNULAR RING AROUND 0.37φ FINISHED PTH IS 0.73φ

RECOMMENDED PCB LAYOUT

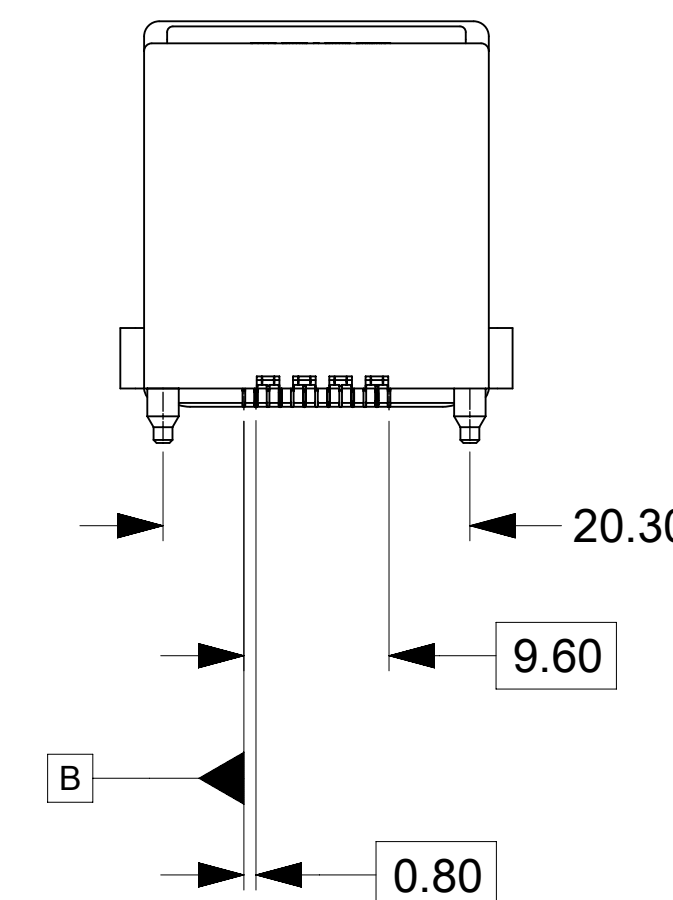
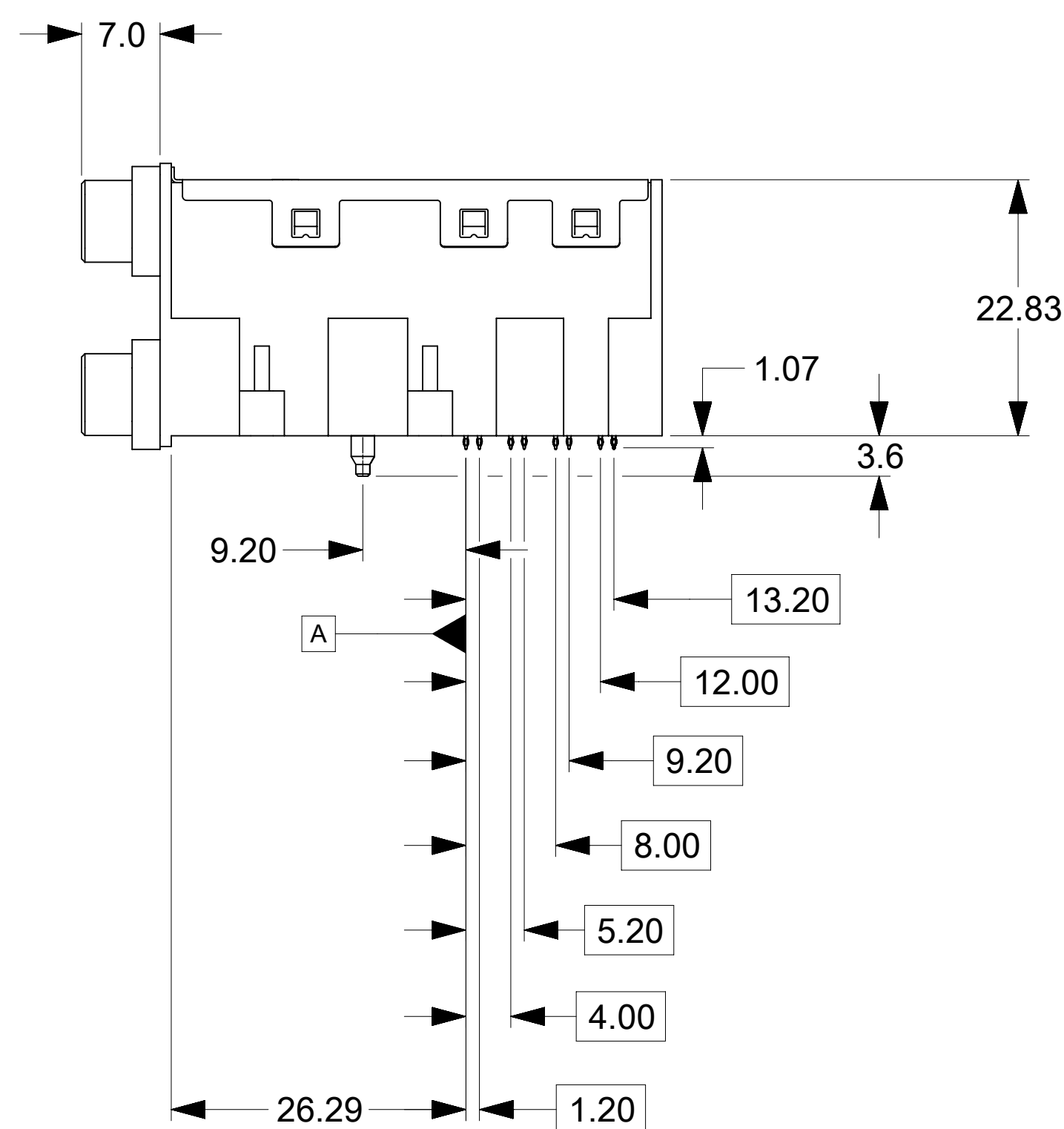
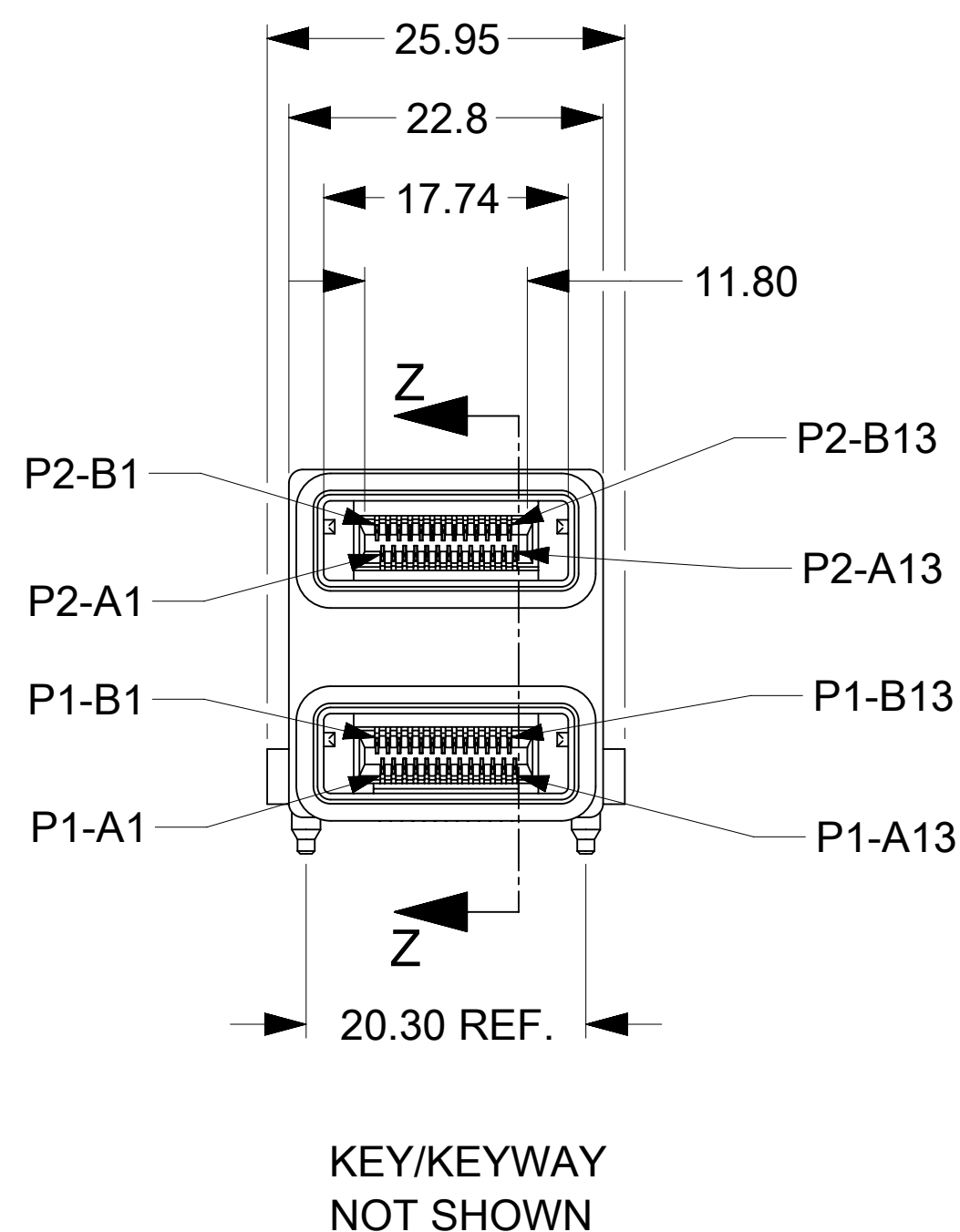
THICKNESS = 1.35mm MIN.

SEE SHEET 1 EIC NO: UCP2012-1063 DRAWNS:BOGIEL CHKD: APPROVED: BANAKIS DATE: 2011/10/20	QUALITY SYMBOLS	GENERAL TOLERANCES (UNLESS SPECIFIED)	DIMENSION STYLE	SCALE	DESIGN UNITS	THIRD ANGLE PROJECTION
	▽=0	4 PLACES ± mm ± INCH	MM ONLY	2:1	METRIC	
	▽=0	3 PLACES ± 0.25 ±				
	▽=0	1 PLACE ± 0.25 ±				
		ANGULAR ±1/2°				
		DRAFT WHERE APPLICABLE MUST REMAIN WITHIN DIMENSIONS				
			DRAWN BY: JJANTELEZ10	DATE: 02/05/2008	TITLE: IPASS STACKED 26/26 CIRCUIT CONNECTOR W/LIGHT PIPES	
			CHECKED BY: KLANG	DATE: 02/05/2008	MOLEX INCORPORATED	
			APPROVED BY: BANAKIS	DATE: 02/05/2008	MATERIAL NO. 75758-000*	
					DOCUMENT NO. SD-75758-001	
					SHEET NO. 3 OF 3	

KEYING & PLATING OPTIONS			
TIN/LEAD PART NUMBER	LEAD FREE PART NUMBER	KEY POSITION	KEYWAY POSITION
75758-0102	75758-0202	#3	NONE
75758-0103	75758-0203	#4	NONE
75758-0104	75758-0204	#4	#3 & #5
75758-0105	75758-0205	NONE	#3 & #5
75758-0106	75758-0206	#4	#3
75758-0107	75758-0207	NONE	#3
75758-0108	75758-0208	#4	#5
75758-0109	75758-0209	NONE	#5
75758-0111	75758-0211	#4 & #6	NONE



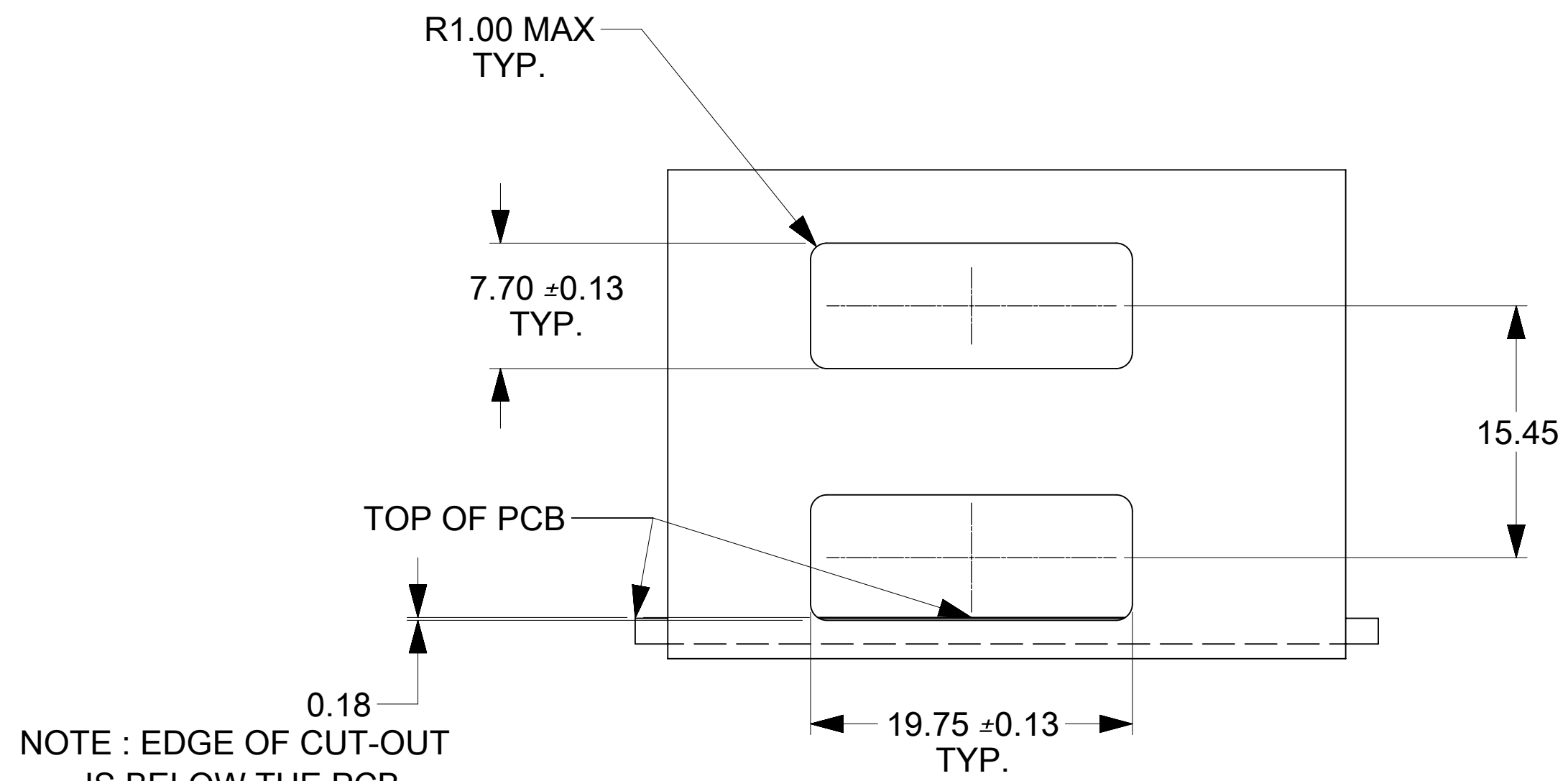
75758-0101 (OBSOLETE)  
SHOWN FOR REF. ONLY



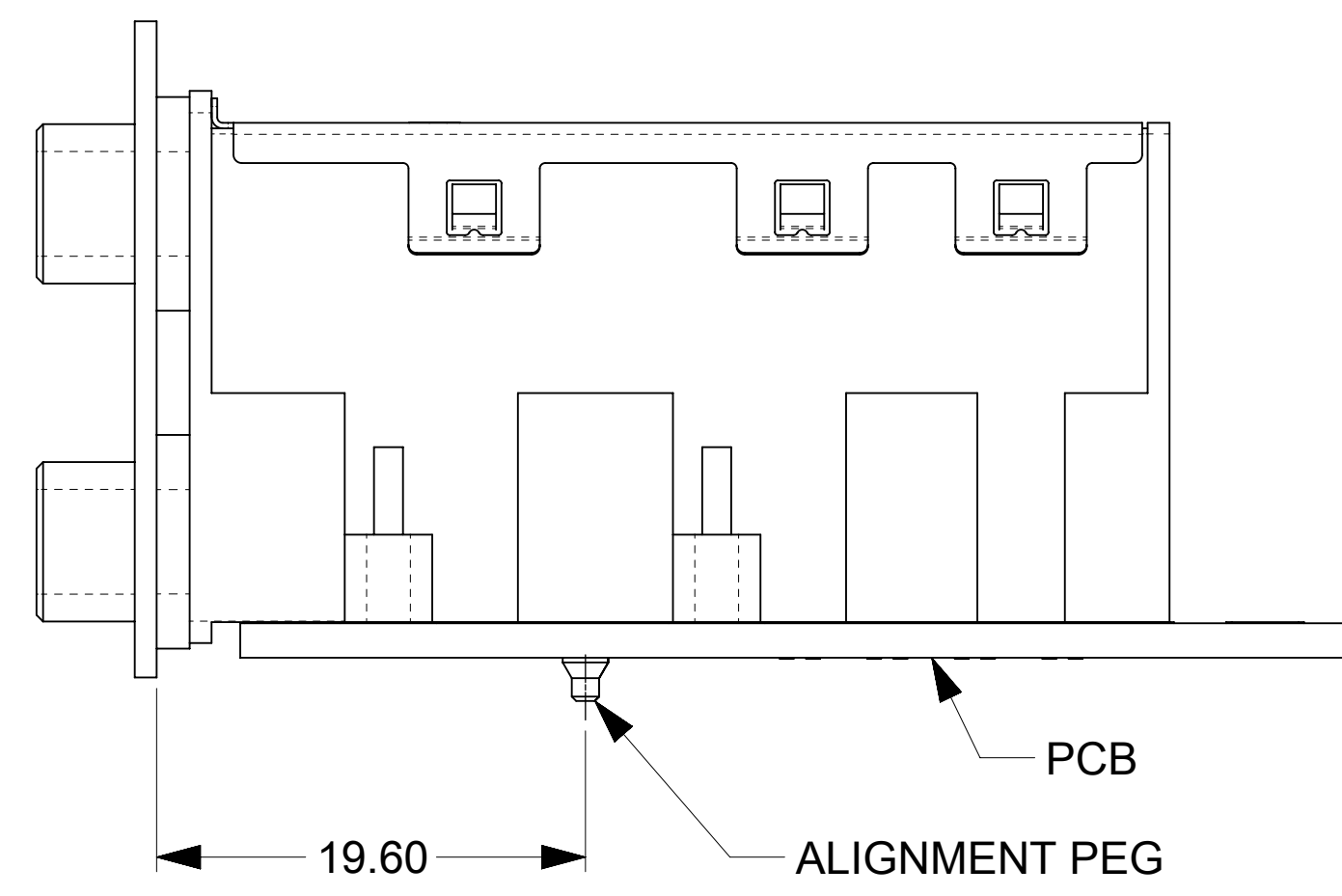
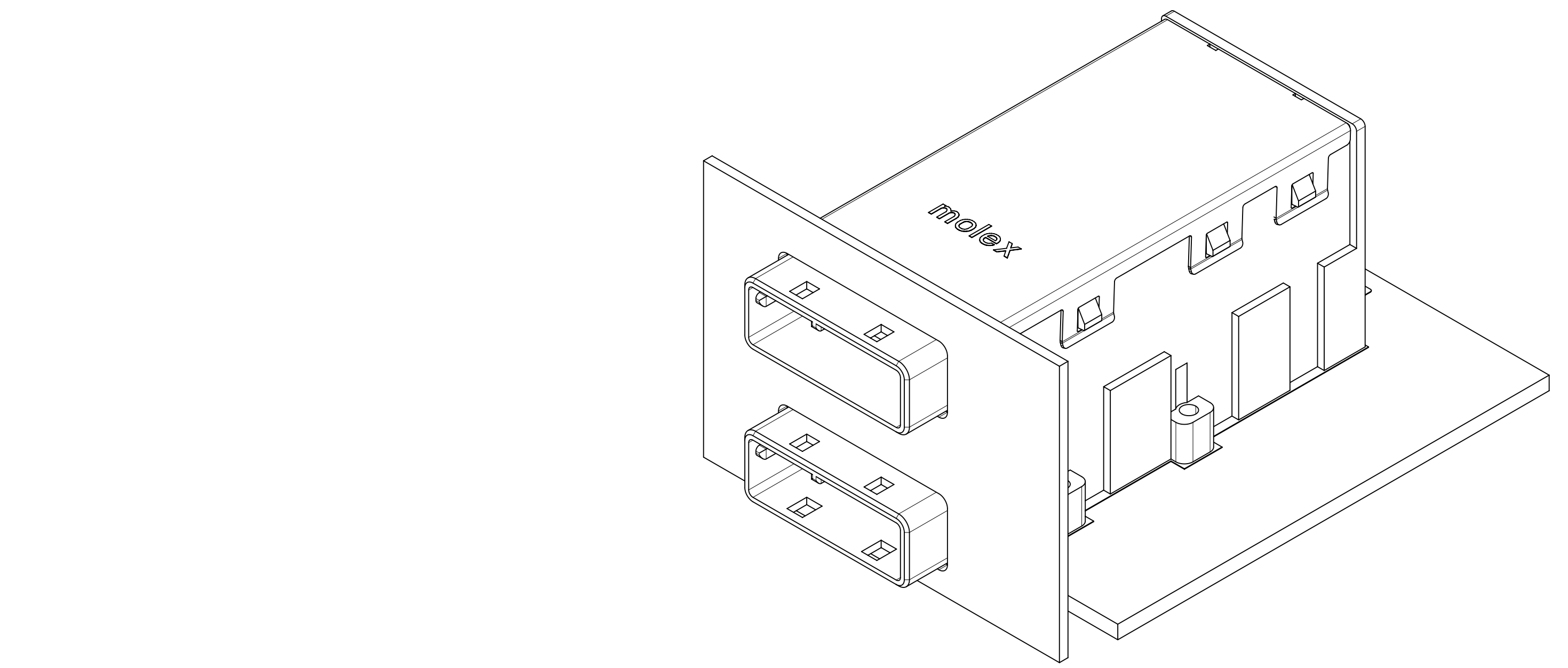
NOTES :

- MATERIALS :  
CONNECTOR HOUSING - HIGH TEMP THERMOPLASTIC, GLASS-FILLED, UL94V-0, COLOR - BLACK  
EMI HOUSING - DIE CAST ALLOY, FINISH: NICKEL  
COVER - STAINLESS STEEL ALLOY  
CPI TERMINALS - COPPER ALLOY  
EMI GASKETS - CONDUCTIVE POLYMER
- TERMINAL PLATING : SEE CHART  
OPTION 1) TIN/LEAD - CONTACT AREA - 0.7μ MIN GOLD OVER 2.5μ MIN NICKEL. COMPLIANT AREA - 0.7-1.5μm TIN/LEAD (90/10) OVER 1.2μm MIN NICKEL.  
  
OPTION 2) LEAD FREE - CONTACT AREA - 0.7μ MIN GOLD OVER 2.5μ MIN NICKEL. COMPLIANT AREA - 0.7-1.5μm TIN (TIN ONLY) OVER 1.2μm MIN NICKEL.
- PACKAGING SPECIFICATION : TRAY PACK (TBD)
- REFER TO PS-75586-001 PRODUCT SPEC FOR ALL ELECTRICAL, MECHANICAL AND ENVIRONMENTAL SPECIFICATIONS.
- THIS CONNECTOR IS DESIGNED TO MATE WITH MOLEX CABLE SERIES 74548.
- REQUIRES MOUNTING HARDWARE : (4) M2 X 8MM CAP SCREWS OR EQUIV. MAX. TORQUE 2.3 in/lbs.
- PRODUCT IS RoHS COMPLIANT.

THIS DRAWING CONTAINS INFORMATION THAT IS PROPRIETARY TO MOLEX ELECTRONIC TECHNOLOGIES, LLC AND SHOULD NOT BE USED WITHOUT WRITTEN PERMISSION													
DIMENSION UNITS		SCALE		CURRENT REV DESC: OBSOLETE PART NO									
mm		2:1		<p><b>molex</b></p> <p>IPASS STACKED 26/26 CIRCUIT CONNECTOR</p> <p>PRODUCT CUSTOMER DRAWING</p> <p>DOCUMENT NUMBER: SD-75758-010    DOC TYPE: PSD    DOC PART: 001    REVISION: D1</p> <p>MATERIAL NUMBER: SEE CHART    CUSTOMER: GENERAL MARKET    SHEET NUMBER: 1 OF 3</p>									
GENERAL TOLERANCES (UNLESS SPECIFIED)													
		MM										INCH	
4 PLACES		±										±	
3 PLACES		±										±	
2 PLACES		± 0.25		±									
1 PLACE		± 0.25		±									
0 PLACES		±		±									
ANGULAR TOL		± 0.5°											
DRAFT WHERE APPLICABLE MUST REMAIN WITHIN DIMENSIONS				THIRD ANGLE PROJECTION		DRAWING		SERIES		MATERIAL NUMBER			
				D-SIZE		75758		SEE CHART		GENERAL MARKET			

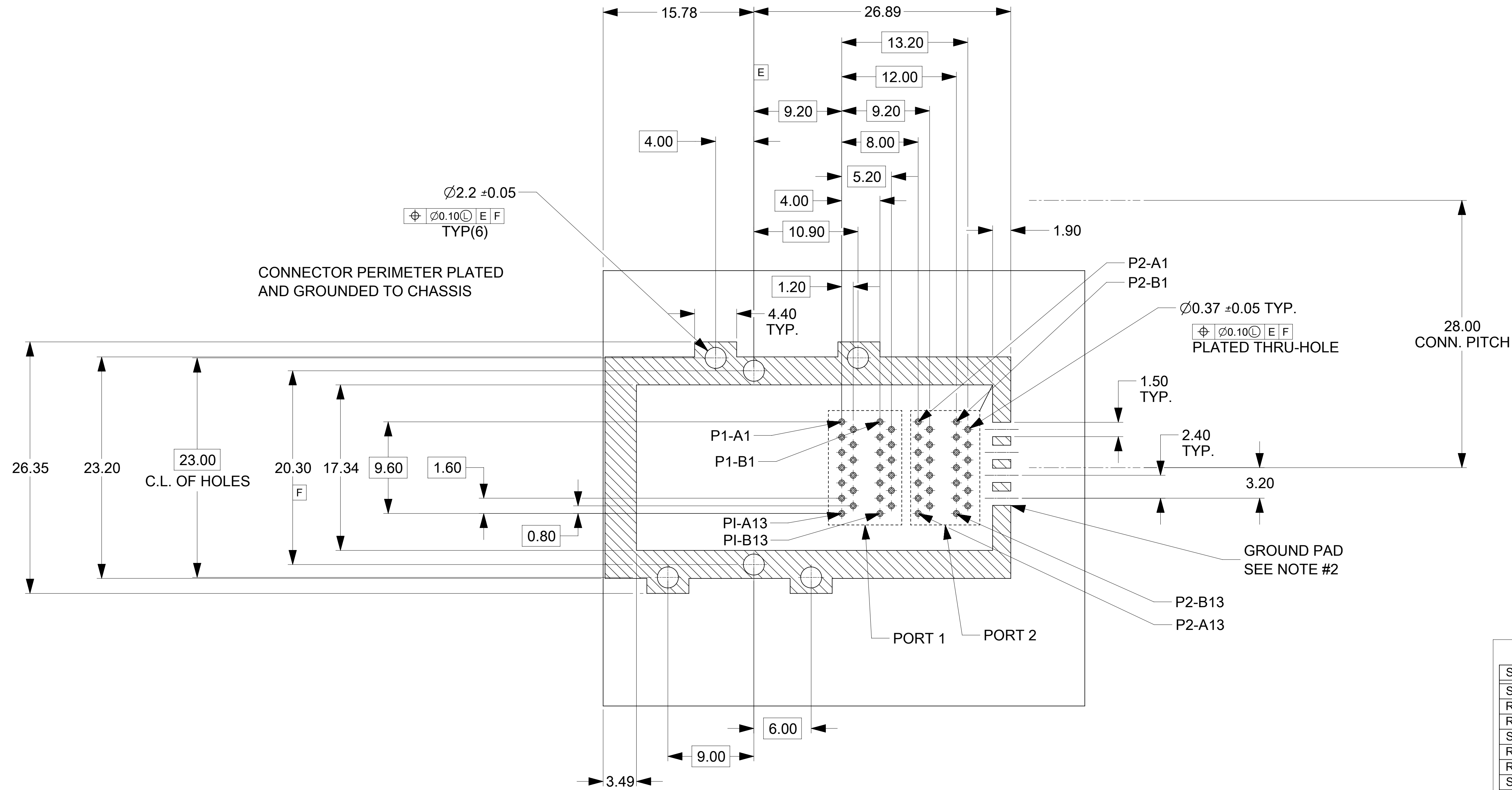


**PANEL CUT-OUT**  
 MAXIMUM THICKNESS = 1.50  
 (NOT SUPPLIED)



**ASSEMBLY VIEW**

THIS DRAWING CONTAINS INFORMATION THAT IS PROPRIETARY TO MOLEX ELECTRONIC TECHNOLOGIES, LLC AND SHOULD NOT BE USED WITHOUT WRITTEN PERMISSION																			
DIMENSION UNITS		SCALE		CURRENT REV DESC: OBSOLETE PART NO															
mm		3:1		<p style="text-align: center;">IPASS STACKED 26/26 CIRCUIT CONNECTOR</p> <p style="text-align: center;">PRODUCT CUSTOMER DRAWING</p> <table border="1" style="width: 100%; border-collapse: collapse;"> <tr> <td>DOCUMENT NUMBER</td> <td>DOC TYPE</td> <td>DOC PART</td> <td>REVISION</td> </tr> <tr> <td style="text-align: center;">SD-75758-010</td> <td style="text-align: center;">PSD</td> <td style="text-align: center;">001</td> <td style="text-align: center;">D1</td> </tr> </table>								DOCUMENT NUMBER	DOC TYPE	DOC PART	REVISION	SD-75758-010	PSD	001	D1
DOCUMENT NUMBER	DOC TYPE	DOC PART	REVISION																
SD-75758-010	PSD	001	D1																
GENERAL TOLERANCES (UNLESS SPECIFIED)												EC NO: 625872							
	MM		INCH									DRWN: VLOKESHA				2019/09/16			
4 PLACES	±		±									CHK'D: GB				2019/11/08			
3 PLACES	±		±	APPR: GGA				2019/11/12											
2 PLACES	±	0.25	±	INITIAL REVISION:															
1 PLACE	±	0.25	±	DRWN: JJANTELEZIO				2008/01/23											
0 PLACES	±		±	APPR: MBANAKIS				2008/01/23											
ANGULAR TOL ± 0.5 °				THIRD ANGLE PROJECTION				DRAWING SERIES											
DRAFT WHERE APPLICABLE MUST REMAIN WITHIN DIMENSIONS						D-SIZE		75758		MATERIAL NUMBER CUSTOMER SHEET NUMBER									
						SEE CHART		GENERAL MARKET		2 OF 3									



**RECOMMENDED PCB LAYOUT**  
THICKNESS = 1.35mm MIN.

PORT 1		PORT 2	
SIGNAL	SIGNAL PIN	SIGNAL	SIGNAL PIN
SIGNAL GND	A1	SIGNAL GND	B1
RX 0+	A2	TX 0+	B2
RX 0-	A3	TX 0-	B3
SIGNAL GND	A4	SIGNAL GND	B4
RX 1+	A5	TX 1+	B5
RX 1-	A6	TX 1-	B6
SIGNAL GND	A7	SIGNAL GND	B7
RX 2+	A8	TX 2+	B8
RX 2-	A9	TX 2-	B9
SIGNAL GND	A10	SIGNAL GND	B10
RX 3+	A11	TX 3+	B11
RX 3-	A12	TX 3-	B12
SIGNAL GND	A13	SIGNAL GND	B13

PIN ASSIGNMENT

- NOTES:
- CROSS-HATCHED AREA MUST BE INCORPORATED IN THE FLAT ROCK PRESS-FIT TOOLING.
  - RECOMMENDED LED'S INCLUDE THE FOLLOWING :  
DIALIGHT : 597-77x1-5xx SERIES  
CHICAGO MINIATURE : 7016 SERIES  
KINGBRIGHT : APBL3025 SERIES (BICOLOR)  
APL3015 SERIES (SINGLE COLOR)
  - LED'S MUST HAVE A MAXIMUM HEIGHT OF 1.4mm AND A MINIMUM HEIGHT OF 0.7mm
  - PLATE GROUND PAD WITH EMERSION SILVER OR GOLD.
  - RECOMMENDED DRILL SIZE FOR 0.37Ø FINISHED PTH IS 0.457Ø (#77 DRILL)
  - RECOMMENDED ANNULAR RING AROUND 0.37Ø FINISHED PTH IS 0.73Ø

THIS DRAWING CONTAINS INFORMATION THAT IS PROPRIETARY TO MOLEX ELECTRONIC TECHNOLOGIES, LLC AND SHOULD NOT BE USED WITHOUT WRITTEN PERMISSION

DIMENSION UNITS	SCALE	CURRENT REV DESC: OBSOLETED PART NO	
mm	4:1		
GENERAL TOLERANCES (UNLESS SPECIFIED)		EC NO: 625872	
	MM	INCH	
4 PLACES	±	±	DRWN: VLOKESHA 2019/09/16
3 PLACES	±	±	CHK'D: GB 2019/11/08
2 PLACES	±	0.25	APPR: GGA 2019/11/12
1 PLACE	±	0.25	INITIAL REVISION:
0 PLACES	±	±	DRWN: JJANTELEZIO 2008/01/23
ANGULAR TOL ± 0.5°		APPR: MBANAKIS 2008/01/23	
DRAFT WHERE APPLICABLE MUST REMAIN WITHIN DIMENSIONS		THIRD ANGLE PROJECTION	DRAWING
			D-SIZE
		SERIES	75758
DOCUMENT NUMBER		DOC TYPE	DOC PART
SD-75758-010		PSD	001
CUSTOMER		REVISION	
GENERAL MARKET		D1	
MATERIAL NUMBER		SHEET NUMBER	
SEE CHART		3 OF 3	