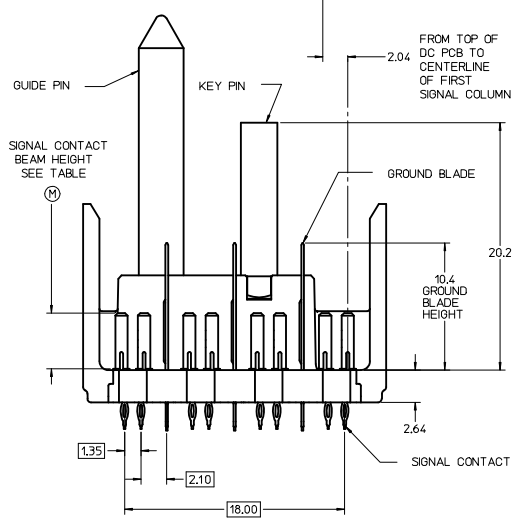


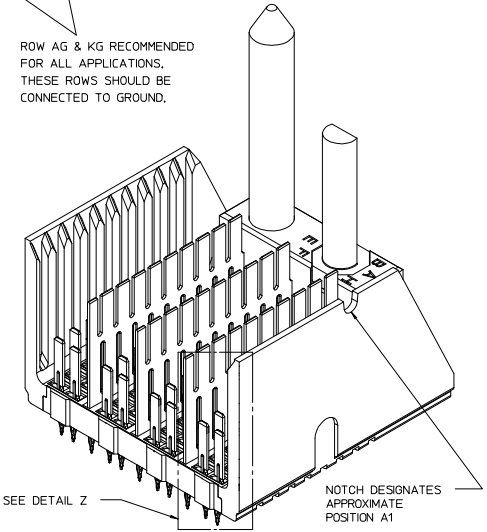
- NOTES:**
1. MATERIAL: HOUSING - LIQUID CRYSTAL POLYMER (LCP) GLASS-FILLED, UL 94V-0, COLOR - GRAY, ELECTRICALLY ENHANCED INSERT; CONDUCTIVE RESIN, COLOR - BLACK, SIGNAL CONTACT AND GROUND BLADE - HIGH PERFORMANCE COPPER ALLOY.
  2. FINISHES: SELECTIVE GOLD (Au) ON CONTACT AREA, SELECTIVE MATTE TIN (Sn) ON PCB TAILS, NICKEL (Ni) OVERALL.
  3. THESE PARTS CONFORM TO MOLEX PRODUCT SPECIFICATION PS-75221-999.
  4. FOR MIXED CONTACT MATING LENGTHS CONSULT MOLEX FOR AVAILABILITY. CONTACT PAIRS MUST BE THE SAME LENGTH.
  5. FOR SPECIFIC PART NUMBER AND MATING INFORMATION PLEASE REFER TO CHART.
  6. PACKAGE PER PK-70873-563.
  7. EITHER MARK PART NUMBER AND DATE CODE APPROXIMATELY WHERE SHOWN OR PLACE A LABEL ON THE TUBE.
  8. OPTIONAL HOLE LOCATION FOR GROUNDED GUIDE PIN OR ADDITIONAL GUIDE PIN SUPPORT. SEE DRAWING SD-75234-100 FOR DETAIL & LOCATION.
  9. MINIMUM BOARD THICKNESS: 1.6
  10. THESE PARTS CONFORM TO MOLEX COSMETIC SPECIFICATION PS-45499-002 CLASS B
  11. MAPS I MOLEX ADVANCED PLATING SYSTEM.



THE PRIMARY CARTON WITH A LABEL STATING "ELV AND RoHS COMPLAINT" IS LEAD FREE. CARTONS WITHOUT THIS LABEL MAY CONTAIN LEAD.

ASSY PART NO.	K	L	P	TOTAL NO. OF DIFFERENTIAL PAIRS
75830-31**	9	16.65	24.78	40
75830-32**	24	44.40	52.53	100
75830-37**	6	11.10	19.23	28

LEAD-FREE PLATING



**75830-3\*\*\***

COLUMN  
31=10 COL  
32=25 COL  
37= 7 COL

KEYING ORIENTATION  
0 = NONE  
1 = A  
2 = B  
ETC...

PIN LENGTH DIM **M	GOLD (Au) THICKNESS micrometers
0-3.55 mm	0.25 (MAPS)
1-4.55 mm	
2-5.55 mm	
3-3.55 mm	0.76
4-4.55 mm	
5-5.55 mm	
7-3.55 mm	
8-4.55 mm	1.27
9-5.55 mm	

P/N	**0*	**1*	**2*	**3*	**4*	**5*	**6*	**7*	**8*
KEYING PIN ORIENTATION	0	A	B	C	D	E	F	G	H
75830-( )									

REV TO LEAD-FREE EC NO: UCP2013-0690 DRAWINGS: 2012/09/06 CHKD/MOLFE 2012/09/07 APPROX/MILLER 2012/12/05	QUALITY SYMBOLS ▽=0 ▽=0 ▽=0	GENERAL TOLERANCES (UNLESS SPECIFIED)		DIMENSION STYLE		SCALE	DESIGN UNITS	THIRD ANGLE PROJECTION
		mm	INCH	MM ONLY	DATE	5:1	METRIC	DATE
		4 PLACES ±---	±---	DRAWN BY	DATE			
		3 PLACES ±---	±---	CHECKED BY	DATE			
		2 PLACES ±0.25	±---	JLARUX	2008/01/22			
		1 PLACE ±0.38	±---	APPROVED BY	DATE			
		0 PLACE ±---	±---	MILLER	2012/12/05			
		ANGULAR ±1/2°		MATERIAL NO.	DATE			
		DRAFT WHERE APPLICABLE MUST REMAIN WITHIN DIMENSIONS		SEE CHART				
				DOCUMENT NO.	DATE			
				SD-75830-310				
				TITLE				
				GBX 4-PAIR BACKPLANE, LF ELECTRICALLY ENHANCED LEFT END SALES ASSEMBLY				
				<b>molex</b>				
				SHEET NO.				
				1 OF 1				