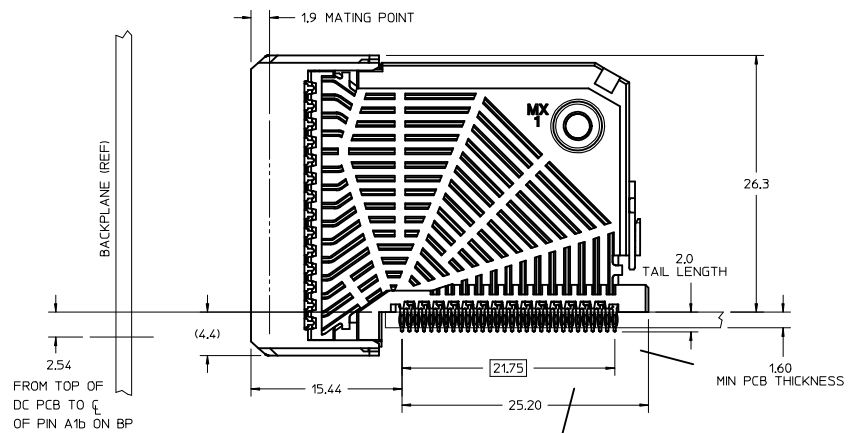
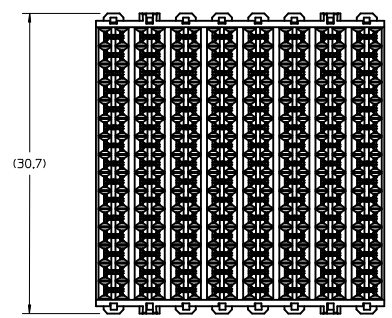
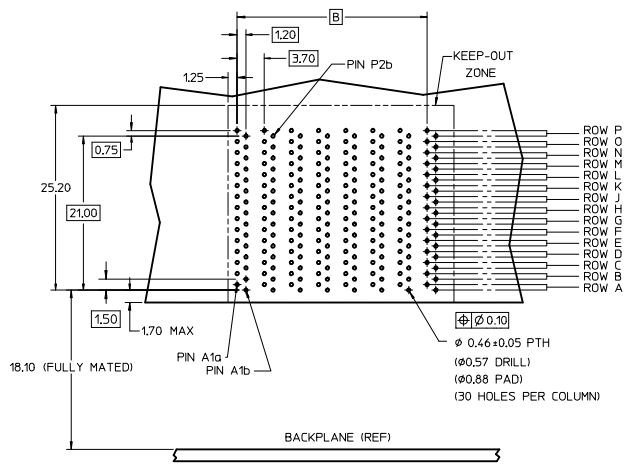
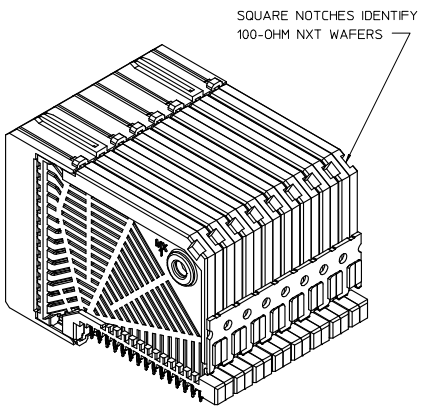
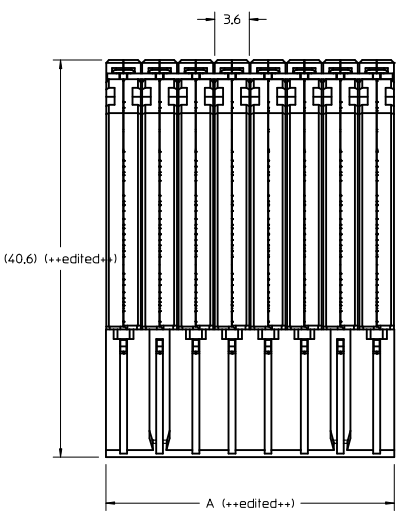


MATERIAL NUMBER	# OF COLUMNS	DIM. 'A' MAX	DIM. 'B'
171910-1008	8	29.60	25.90
171910-1009	9	33.30	29.60
171910-1010	10	37.00	33.30



171910-**\*0\*\***

MODULE TYPE -- TAIL PLATING  
 UNGUIDED -- TIN ONLY = 1

POLARIZATION KEY ORIENTATION  
 0 = NO KEY

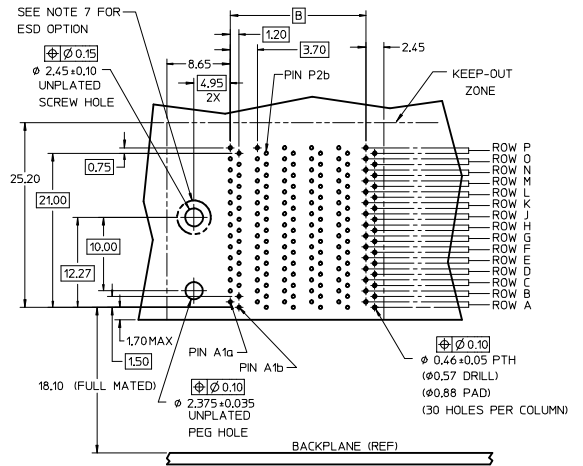
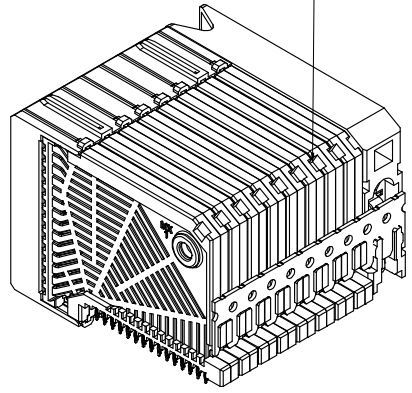
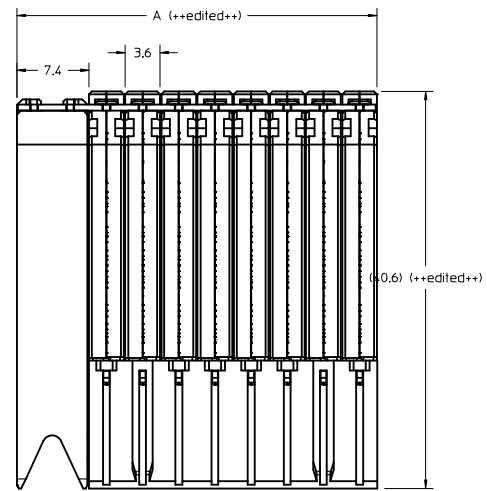
# OF COLUMNS  
 08 = 8 COL  
 09 = 9 COL  
 10 = 10 COL

- NOTES:
1. MATERIALS:  
 HOUSING - LIQUID CRYSTAL POLYMER (LCP) GLASS-FILLED, UL94V-0.  
 TERMINALS - HIGH PERFORMANCE COPPER ALLOY.
  2. FINISH:  
 30 uIN MIN GOLD IN CONTACT AREA, SELECTIVE TIN ON PCB TAILS, NICKEL OVERALL.
  3. REFER TO MOLEX PRODUCT SPEC PS-75710-999 FOR PERFORMANCE SPECIFICATIONS.
  4. PRODUCT IS PACKAGED PER PK-70873-608.
  5. THIS PART CONFORMS TO CLASS B REQUIREMENTS OF COSMETIC SPEC PS-45499-002.

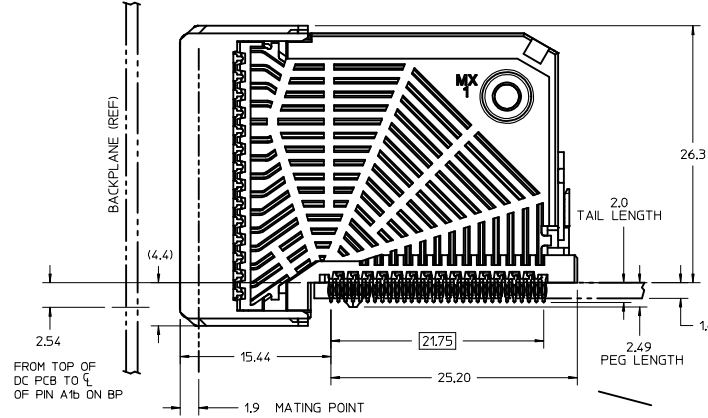
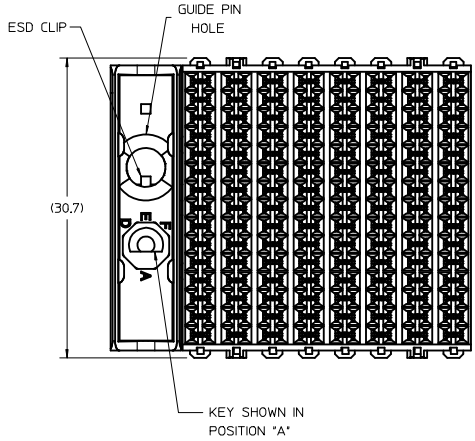
INITIAL RELEASE EIC NO: UCP2013-2975 DRAWN: KHUGHES CHKD: CHYK APPR: JB INGHAM DATE: 2013/03/01	QUALITY SYMBOLS ▽=0 ▽=0	GENERAL TOLERANCES (UNLESS SPECIFIED) mm INCH 4 PLACES ± --- ± --- 3 PLACES ± --- ± --- 2 PLACES ± 0.10 ± --- 1 PLACE ± 0.2 ± --- ANGULAR ± 5 °	DIMENSION STYLE MM ONLY	SCALE 4:1	DESIGN UNITS METRIC	THIRD ANGLE PROJECTION
	DRAFT WHERE APPLICABLE MUST REMAIN WITHIN DIMENSIONS	DRAWN BY KHUGHES DATE 2013/01/11	CHECKED BY JB INGHAM DATE 2014/01/14	APPROVED BY JB INGHAM DATE 2013/03/01	MATERIAL NO. SEE CHART	DOCUMENT NO. SD-171910-0001

THIS DRAWING CONTAINS INFORMATION THAT IS PROPRIETARY TO MOLEX INCORPORATED AND SHOULD NOT BE USED WITHOUT WRITTEN PERMISSION

MATERIAL NUMBER	# OF COLUMNS	DIM. 'A' MAX	DIM. 'B'
171910-3+08	8	37.00	25.90
171910-3+09	9	40.70	29.60
171910-3+10	10	44.40	33.30



(CONNECTOR SIDE)  
DAUGHTERCARD HOLE PATTERN



171910-\*\*\*\*

MODULE TYPE -- TAIL PLATING  
GUIDE LEFT -- TIN ONLY - 3

# OF COLUMNS  
 06 = 6 COL  
 08 = 8 COL  
 09 = 9 COL  
 10 = 10 COL  
 56 = 6 COL W/ESD CLIP  
 58 = 8 COL W/ESD CLIP  
 59 = 9 COL W/ESD CLIP  
 50 = 10 COL W/ESD CLIP

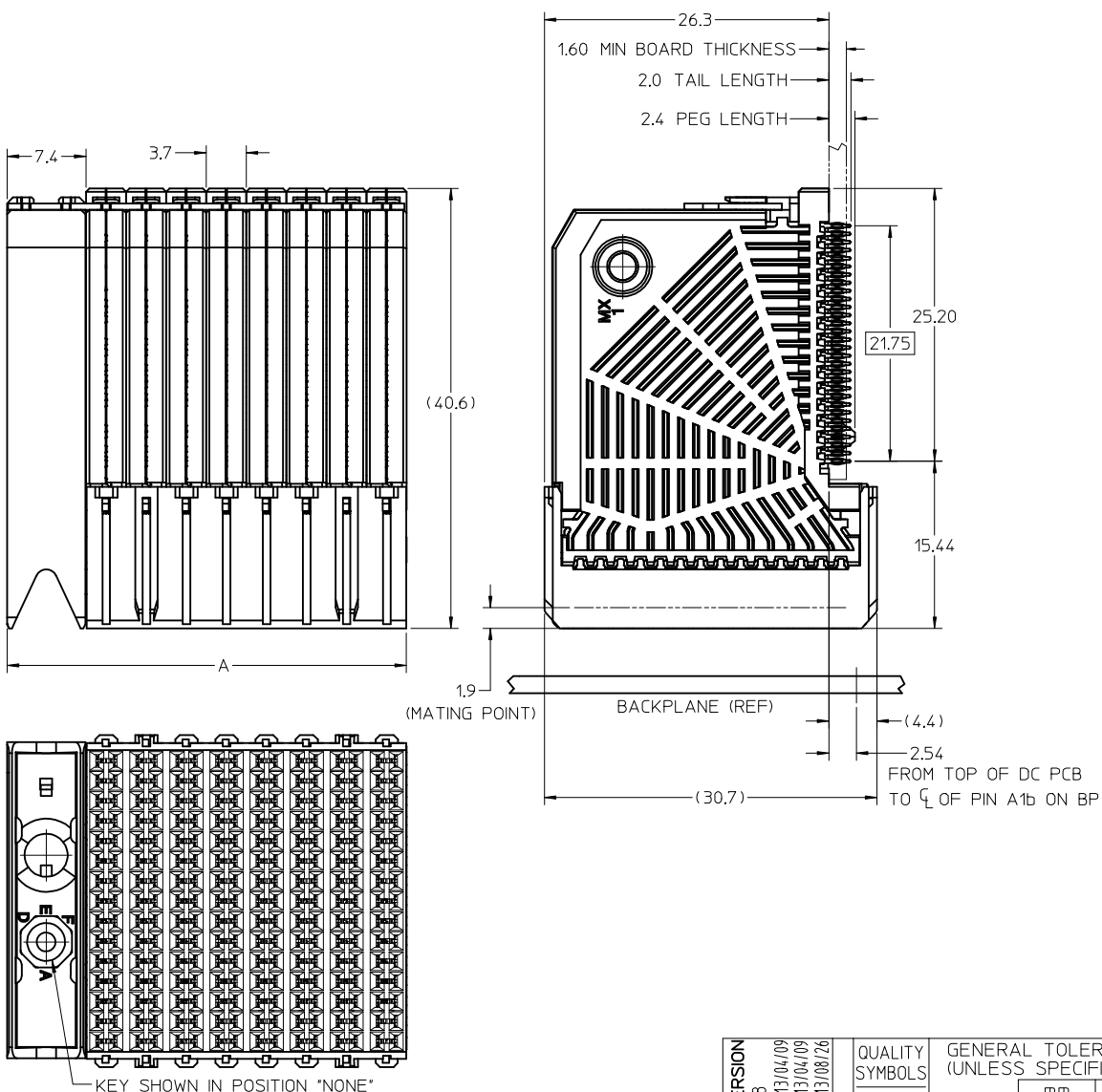
POLARIZATION KEY ORIENTATION  
 0 = NO KEY  
 1 = A    5 = E  
 2 = B    6 = F  
 3 = C    7 = G  
 4 = D    8 = H

- NOTES:  
 1. MATERIALS:  
 HOUSING - LIQUID CRYSTAL POLYMER (LCP) GLASS-FILLED, UL94V-0.  
 TERMINALS - HIGH PERFORMANCE COPPER ALLOY.  
 2. FINISH:  
 30  $\mu$ M MIN GOLD IN CONTACT AREA. SELECTIVE TIN ON PCB TAILS. NICKEL OVERALL.  
 3. REFER TO MOLEX PRODUCT SPEC PS-75710-999 FOR PERFORMANCE SPECIFICATIONS.  
 4. PRODUCT IS PACKAGED PER PK-70873-608.  
 5. THIS PART CONFORMS TO CLASS B REQUIREMENTS OF COSMETIC SPEC PS-45499-002.  
 6. GUIDED PARTS TO BE SHIPPED WITH 2-32 TYPE AB SELF-TAPPING SCREW P/N 73726-0000.  
 7. FOR GROUNDED GUIDE MODULES USE DIA 2.45+/-0.10 (PTH), DIA 2.58 (DRILL) AND DIA 4.50 (PAD).

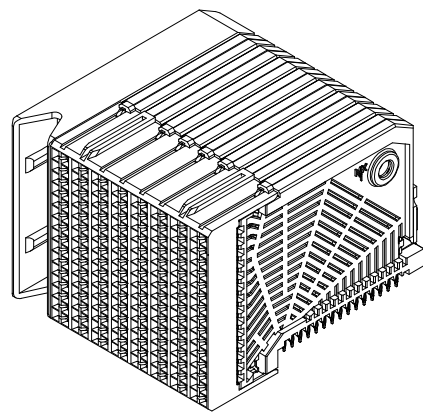
INITIAL RELEASE EC NO: UCP2013-2975 DRAWN: KHUGHES 2013/01/18 CHKD: CHKD APPR: JB INGHAM 2013/03/01 REV DESCRIPTION	QUALITY SYMBOLS	GENERAL TOLERANCES (UNLESS SPECIFIED)	DIMENSION STYLE	SCALE	DESIGN UNITS	THIRD ANGLE PROJECTION
	4 PLACES $\pm$ mm $\pm$ INCH 3 PLACES $\pm$ mm $\pm$ INCH 2 PLACES $\pm$ 0.10 $\pm$ INCH 1 PLACE $\pm$ 0.2 $\pm$ INCH ANGULAR $\pm$ 5°	DRAWN BY: KHUGHES CHECKED BY: JB INGHAM APPROVED BY: JB INGHAM DATE: 2013/01/18 DATE: 2014/01/14 DATE: 2013/03/01	MM ONLY DATE: 2013/01/18 DATE: 2014/01/14 DATE: 2013/03/01	4:1	METRIC	I-TRAC 15R HYBRID NXT 100 OHM GL SIGNAL MODULE SALES DRAWING

DRAFT WHERE APPLICABLE MUST REMAIN WITHIN DIMENSIONS

THIS DRAWING CONTAINS INFORMATION THAT IS PROPRIETARY TO MOLEX INCORPORATED AND SHOULD NOT BE USED WITHOUT WRITTEN PERMISSION



- NOTES:
1. MATERIALS: HOUSING - LIQUID CRYSTAL POLYMER (LCP)  
GLASS-FILLED, UL 94V-0  
TERMINALS - HIGH PERFORMANCE COPPER ALLOY
  2. FINISH: SELECTIVE 10 MICROINCH GOLD (MAPS) OR 30 MICROINCH GOLD  
IN CONTACT AREA.  
SELECTIVE MATTE TIN ON PCB TAILS,  
NICKEL OVERALL.
  3. REFER TO MOLEX PRODUCT SPEC PS-75710-999 FOR  
PERFORMANCE SPECIFICATIONS.
  4. PRODUCT IS PACKAGED PER PK-70873-608.
  5. THIS PART CONFORMS TO CLASS B REQUIREMENTS OF  
COSMETIC SPEC PS-45499-002.
  6. GUIDED PARTS TO BE SHIPPED WITH 2-32 TYPE AB  
SELF-TAPPING SCREW P/N 73726-0000.
  7. FOR GROUNDED GUIDE MODULES USE DIA 2.45+/-0.10 (PTH),  
DIA 2.58 (DRILL), AND DIA 4.50 (PAD).
  8. MAPS (MOLEX ADVANCED PLATING SYSTEM).



LEAD FREE CONVERSION EEC NO: UCP2013-4288 DRW:RMH/PPLE 2013/04/09 CHKD:MM/LFE 2013/04/09 APPR:SM/LLR 2013/08/26	QUALITY SYMBOLS ▽=0 ▽=0 ▽=0	GENERAL TOLERANCES (UNLESS SPECIFIED)		DIMENSION STYLE	SCALE	DESIGN UNITS	THIRD ANGLE PROJECTION		
				MM ONLY	3:1	METRIC			
				DRAWN BY	DATE	TITLE			
				MCARRANZA	3/20/06	I-TRAC DAUGHTERCARD 15 ROW GUIDE LEFT SIGNAL MODULE <b>molex</b>			
				CHECKED BY	DATE				
		JLAURX	3/21/06	DOCUMENT NO.					
		APPROVED BY	DATE	SD-76040-002					
		JLAURX	3/21/06	SHEET NO.					
		ANGULAR ±1/2°		1 OF 2					
		DRAFT WHERE APPLICABLE MUST REMAIN WITHIN DIMENSIONS		THIS DRAWING CONTAINS INFORMATION THAT IS PROPRIETARY TO MOLEX. INCORPORATED AND SHOULD NOT BE USED WITHOUT WRITTEN PERMISSION					

MATERIAL NUMBER	# OF COLUMNS	DIM. "A" MAX	DIM. "B"
76040-***8	8	37.00	25.90
76040-***9	9	40.70	29.60
76040-***0	10	44.40	33.30

76040-\*\*\*

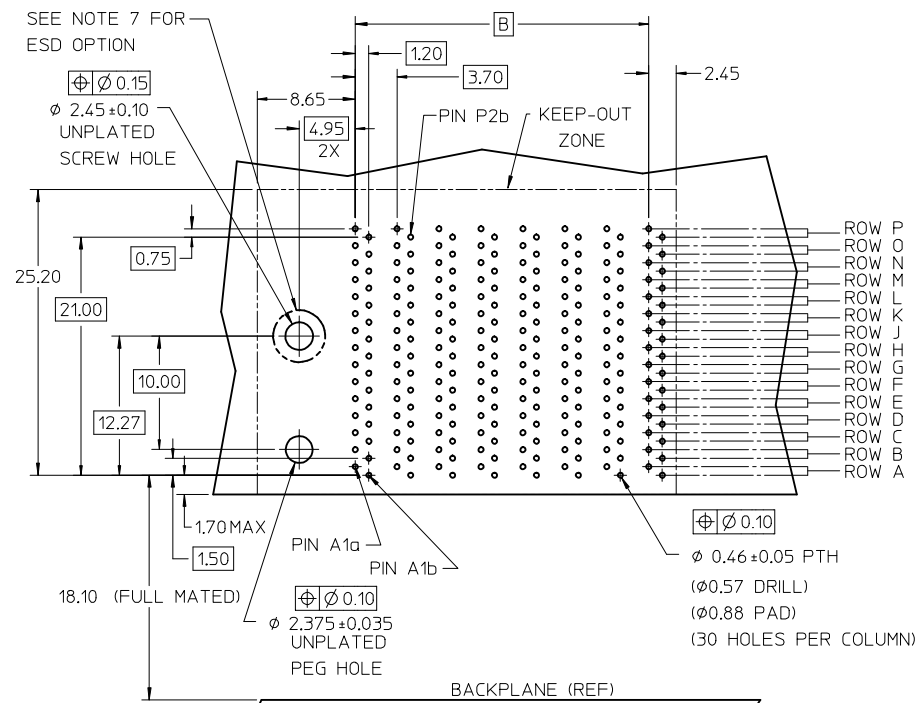
MODULE TYPE -- TAIL PLATING TYPE  
 GUIDE LEFT -- MATTE TIN (FORMERLY TIN/LEAD) = 2  
 GUIDE LEFT -- MATTE TIN = 3

POLARIZATION KEY ORIENTATION

- 0 = NO KEY  
 1 = A      5 = E  
 2 = B      6 = F  
 3 = C      7 = G  
 4 = D      8 = H

# OF COLUMNS/PLATING

- 08 = 8 COL 30 GOLD  
 09 = 9 COL 30 GOLD  
 10 = 10 COL 30 GOLD  
 58 = 8 COL W/ESD CLIP 30 GOLD  
 59 = 9 COL W/ESD CLIP 30 GOLD  
 50 = 10 COL W/ESD CLIP 30 GOLD  
 48 = 8 COL 10 GOLD (MAPS)  
 49 = 9 COL 10 GOLD (MAPS)  
 40 = 10 COL 10 GOLD (MAPS)  
 78 = 8 COL W/ESD CLIP 10 GOLD (MAPS)  
 79 = 9 COL W/ESD CLIP 10 GOLD (MAPS)  
 70 = 10 COL W/ESD CLIP 10 GOLD (MAPS)



### DAUGHTERCARD HOLE PATTERN (CONNECTOR SIDE)

<b>SEE SHEET 1</b> EC NO: UCP2013-4288 DRAWN: RHIPPLE 2013/04/09 CHKD: MWOLFE 2013/04/09 APPR: SMILLER 2013/08/26	QUALITY SYMBOLS $\nabla = 0$ $\nabla = 0$ $\nabla = 0$	GENERAL TOLERANCES (UNLESS SPECIFIED) <table border="1"> <thead> <tr> <th></th> <th>mm</th> <th>INCH</th> </tr> </thead> <tbody> <tr> <td>4 PLACES</td> <td>± ---</td> <td>± ---</td> </tr> <tr> <td>3 PLACES</td> <td>± ---</td> <td>± ---</td> </tr> <tr> <td>2 PLACES</td> <td>± 0.13</td> <td>± ---</td> </tr> <tr> <td>1 PLACE</td> <td>± 0.25</td> <td>± ---</td> </tr> <tr> <td>0 PLACE</td> <td>±</td> <td>±</td> </tr> </tbody> </table>		mm	INCH	4 PLACES	± ---	± ---	3 PLACES	± ---	± ---	2 PLACES	± 0.13	± ---	1 PLACE	± 0.25	± ---	0 PLACE	±	±	DIMENSION STYLE <b>MM ONLY</b> DRAWN BY: MCARRANZA DATE: 3/20/06 CHECKED BY: JLAURX DATE: 3/21/06 APPROVED BY: JLAURX DATE: 3/21/06	SCALE: 2:1 DESIGN UNITS: METRIC THIRD ANGLE PROJECTION	<b>I-TRAC DAUGHTERCARD          15 ROW GUIDE LEFT          SIGNAL MODULE</b> <b>molex</b>	MATERIAL NO. <b>SEE CHART</b>	DOCUMENT NO. <b>SD-76040-002</b>	SHEET NO. <b>2 OF 2</b>
		mm	INCH																							
	4 PLACES	± ---	± ---																							
	3 PLACES	± ---	± ---																							
2 PLACES	± 0.13	± ---																								
1 PLACE	± 0.25	± ---																								
0 PLACE	±	±																								
ANGULAR ±1/2°		DRAFT WHERE APPLICABLE MUST REMAIN WITHIN DIMENSIONS		<b>THIS DRAWING CONTAINS INFORMATION THAT IS PROPRIETARY TO MOLEX INCORPORATED AND SHOULD NOT BE USED WITHOUT WRITTEN PERMISSION</b>																						