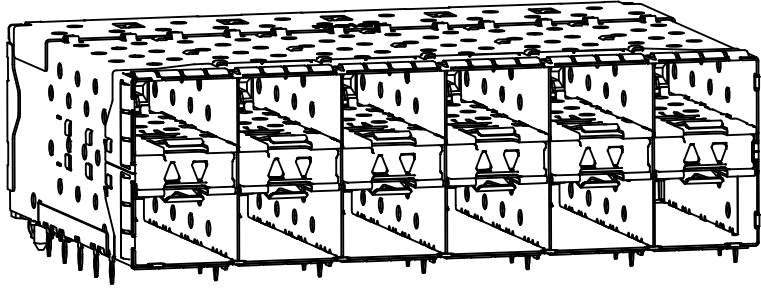
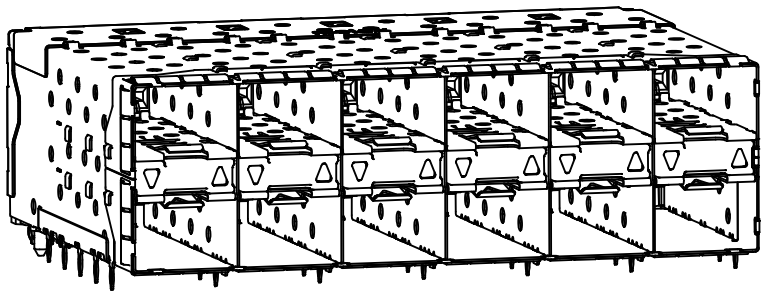


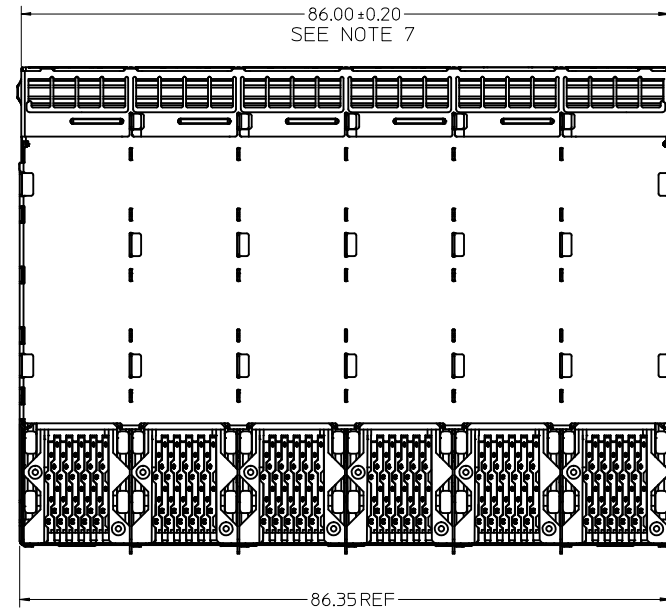
76048-7001
WITH INNER AND OUTER LIGHTPIPES



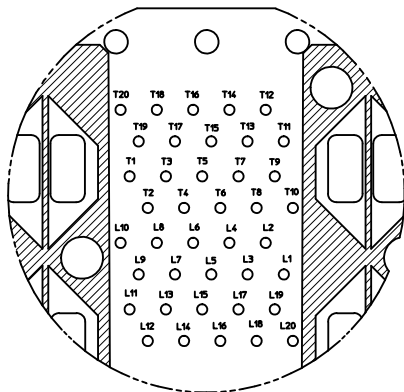
76048-7002
WITH INNER LIGHTPIPES



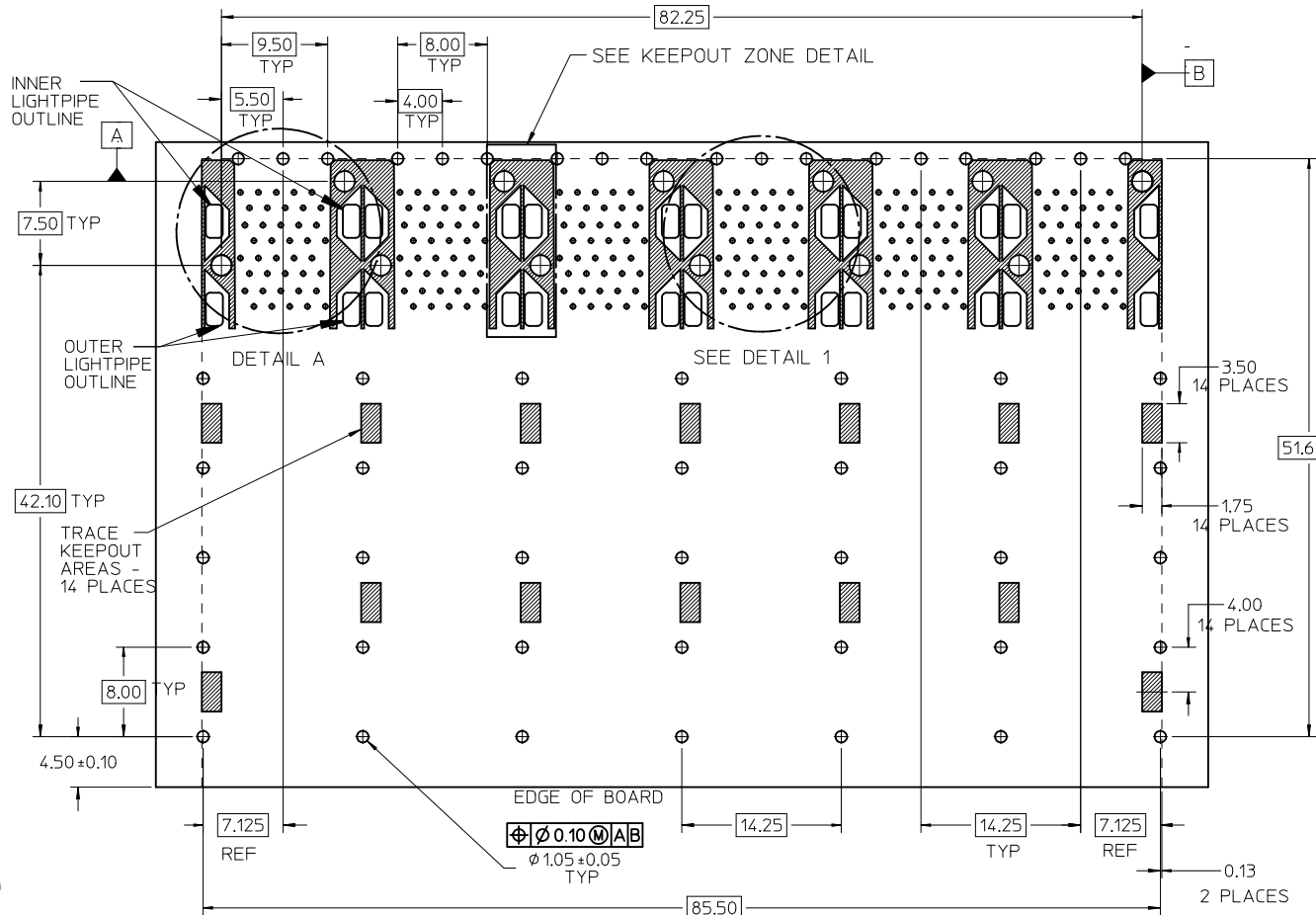
WITH OUTER LIGHTPIPES



SEE SHEET 1 EC NO: UCP2012-2301 DRAWN: BBARKER 2012/01/24 CHKD: APPR: SMILLER 2012/02/01	QUALITY SYMBOLS $\nabla = 0$ $\nabla = 0$ $\nabla = 0$	GENERAL TOLERANCES (UNLESS SPECIFIED) <table border="1"> <tr> <th></th> <th>mm</th> <th>INCH</th> </tr> <tr> <td>4 PLACES</td> <td>± 0.13</td> <td>± 0.005</td> </tr> <tr> <td>3 PLACES</td> <td>± 0.25</td> <td>± 0.010</td> </tr> <tr> <td>2 PLACES</td> <td>± 0.38</td> <td>± 0.015</td> </tr> <tr> <td>1 PLACE</td> <td>± 0.51</td> <td>± 0.020</td> </tr> </table>		mm	INCH	4 PLACES	± 0.13	± 0.005	3 PLACES	± 0.25	± 0.010	2 PLACES	± 0.38	± 0.015	1 PLACE	± 0.51	± 0.020	DIMENSION STYLE MM ONLY DRAWN BY: BBARKER DATE: 2011/09/21 CHECKED BY: _____ DATE: _____	SCALE: 2:1 DESIGN UNITS: METRIC THIRD ANGLE PROJECTION
		mm	INCH																
	4 PLACES	± 0.13	± 0.005																
	3 PLACES	± 0.25	± 0.010																
2 PLACES	± 0.38	± 0.015																	
1 PLACE	± 0.51	± 0.020																	
DRAFT WHERE APPLICABLE MUST REMAIN WITHIN DIMENSIONS	APPROVED BY: SMILLER DATE: 2011/10/10 MATERIAL NO.	TITLE: STACKED SFP+ 2X6 ASSY W/ METAL EMI GASKET AND LIGHTPIPES, ENHANCED EMI MOLEX INCORPORATED	DOCUMENT NO. SD-76048-0002 SHEET NO. 2 OF 5																
SIZE: C	THIS DRAWING CONTAINS INFORMATION THAT IS PROPRIETARY TO MOLEX INCORPORATED AND SHOULD NOT BE USED WITHOUT WRITTEN PERMISSION																		

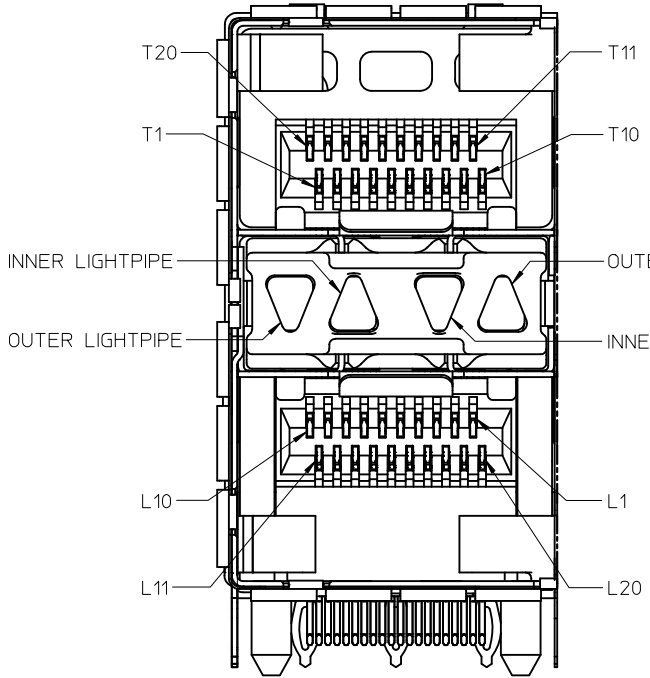


DETAIL 1
SCALE 6:1



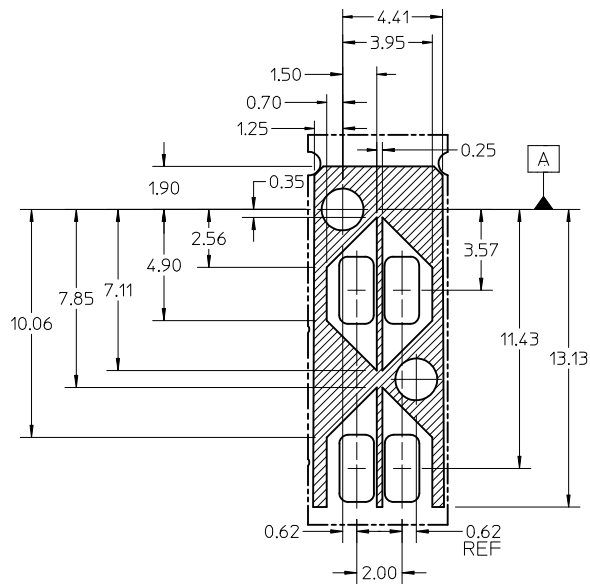
RECOMMENDED PCB LAYOUT - COMPONENT SIDE
RECOMMENDED PCB THICKNESS - 2.63 MM (.093 INCH)

THE ENTIRE AREA OF THE CONNECTOR FOOTPRINT
TO BE CONSIDERED THE KEEP OUT AREA FOR COMPONENTS
(OTHER THAN LIGHT PIPE LED'S)
THIS AREA IS INDICATED BY THE DASHED LINE



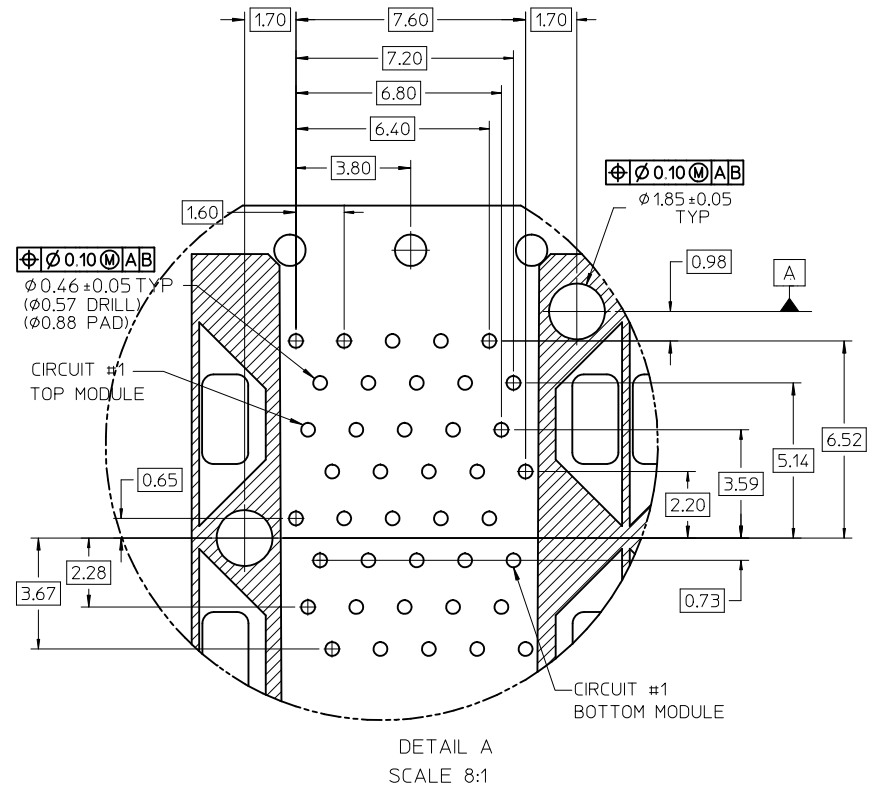
DETAIL 3
SCALE 6:1

ADD DETAIL 3 EC NO: UCP2012-2301 DRWN:BBARKER 2012/01/24 CHKD: MILLER APPR:SMILLER 2012/02/01	QUALITY SYMBOLS 	GENERAL TOLERANCES (UNLESS SPECIFIED) <table border="1"> <tr> <th></th> <th>mm</th> <th>INCH</th> </tr> <tr> <td>4 PLACES</td> <td>± .05</td> <td>± .002</td> </tr> <tr> <td>3 PLACES</td> <td>± .03</td> <td>± .0015</td> </tr> <tr> <td>2 PLACES</td> <td>± 0.13</td> <td>± .005</td> </tr> <tr> <td>1 PLACE</td> <td>± 0.25</td> <td>± .010</td> </tr> </table>		mm	INCH	4 PLACES	± .05	± .002	3 PLACES	± .03	± .0015	2 PLACES	± 0.13	± .005	1 PLACE	± 0.25	± .010	DIMENSION STYLE MM ONLY DRAWN BY: BBARKER DATE: 2011/09/21 CHECKED BY: _____ DATE: _____	SCALE: 3:1 DESIGN UNITS: METRIC THIRD ANGLE PROJECTION
		mm	INCH																
	4 PLACES	± .05	± .002																
	3 PLACES	± .03	± .0015																
2 PLACES	± 0.13	± .005																	
1 PLACE	± 0.25	± .010																	
APPROVED BY: SMILLER DATE: 2011/10/10 MATERIAL NO.: DOCUMENT NO.:	MOLEX INCORPORATED SD-76048-0002	SHEET NO.: 3 OF 5																	
DRAFT WHERE APPLICABLE MUST REMAIN WITHIN DIMENSIONS	SEE TABLE	THIS DRAWING CONTAINS INFORMATION THAT IS PROPRIETARY TO MOLEX INCORPORATED AND SHOULD NOT BE USED WITHOUT WRITTEN PERMISSION																	



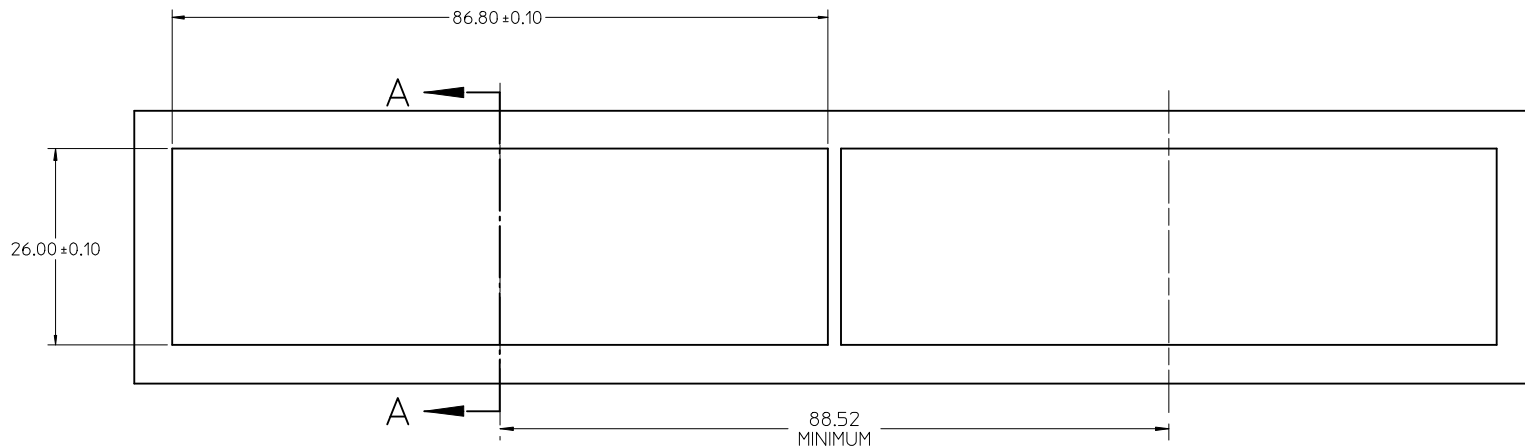
DETAIL - LIGHTPIPE LOCATION AND OTHER ZONES
SCALE 6:1

THE HATCHED AREA IN THIS VIEW INDICATES ZONES THAT ARE OCCUPIED BY THE PLASTIC HOUSING THAT SEATS AGAINST THE PCB AND BY THE VERTICAL METAL CAGE WALL THAT STOPS JUST SHORT OF THE PCB

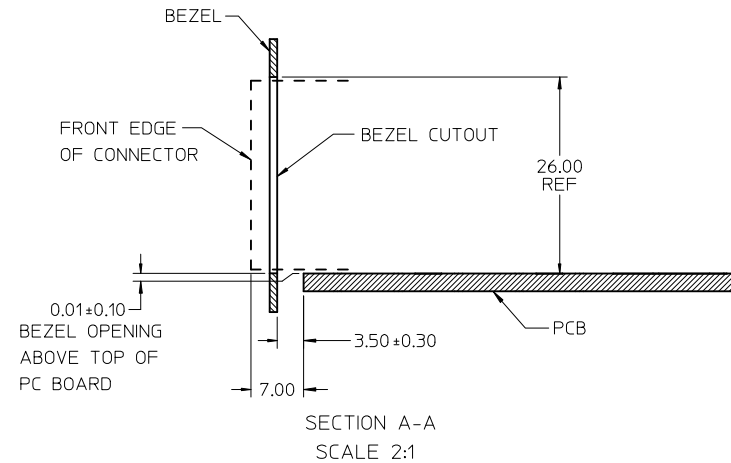


DETAIL A
SCALE 8:1

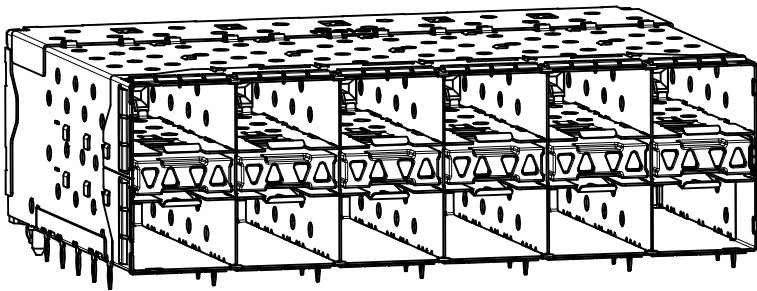
SEE SHEET 1 EC NO: UCP2012-2301 DRAWN: BBARKER 2012/01/24 CHKD: APPR: SMILLER 2012/02/01	QUALITY SYMBOLS ▽=0 ▽=0 ▽=0	GENERAL TOLERANCES (UNLESS SPECIFIED)		DIMENSION STYLE MM ONLY	SCALE 2:1	DESIGN UNITS METRIC	THIRD ANGLE PROJECTION
		4 PLACES ± --- ± ---	3 PLACES ± --- ± ---	2 PLACES ± 0.13 ± ---	1 PLACE ± 0.25 ± ---	APPROVED BY SMILLER 2011/10/10	TITLE STACKED SFP+ 2X6 ASSY W/ METAL EMI GASKET AND LIGHTPIPES, ENHANCED EMI
B	DESCRIPTION	ANGULAR ± 5 °		MATERIAL NO. SEE TABLE	DATE 2011/09/21	MOLEX INCORPORATED	SHEET NO. 4 OF 5
	REVISION	DRAFT WHERE APPLICABLE MUST REMAIN WITHIN DIMENSIONS		SIZE C	DATE 2011/10/10	DOCUMENT NO. SD-76048-0002	



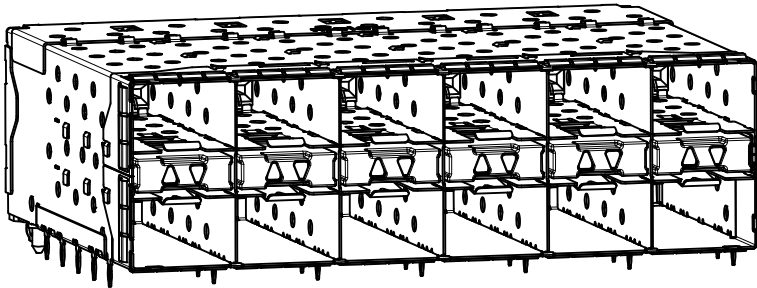
BEZEL CUTOUT CENTER SPACING DETAIL
BEZEL THICKNESS 0.8 - 2.6



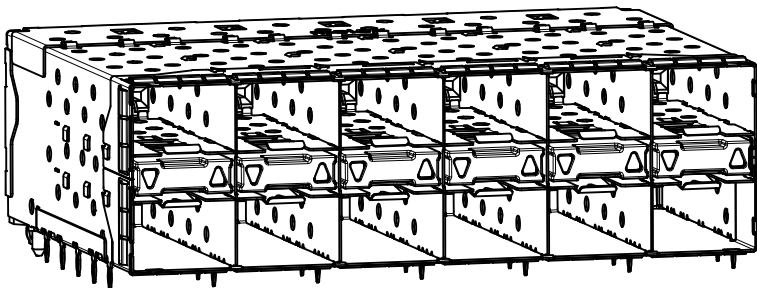
ADD SECOND BEZEL CUTOUT EC NO: UCP2012-2301 DRW:BBARKER 2012/01/24 CHKD: APPR:SMILLER 2012/02/01	DESCRIPTION REV 0 0 0	QUALITY SYMBOLS =0 =0 =0	GENERAL TOLERANCES (UNLESS SPECIFIED)		DIMENSION STYLE MM ONLY		SCALE 3:1	DESIGN UNITS METRIC	THIRD ANGLE PROJECTION			
			4 PLACES	± 0.10	± 0.004	DRAWN BY BBARKER	DATE 2011/09/21	TITLE STACKED SFP+ 2X6 ASSY W/ METAL EMI GASKET AND LIGHTPIPES, ENHANCED EMI				
			3 PLACES	± 0.13	± 0.005	CHECKED BY						
			2 PLACES	± 0.25	± 0.008	APPROVED BY SMILLER		DATE 2011/10/10	MOLEX INCORPORATED DOCUMENT NO. SD-76048-0002			
1 PLACE	± 0.50	± 0.015	ANGULAR ± 5°		MATERIAL NO. SEE TABLE		SHEET NO. 5 OF 5		THIS DRAWING CONTAINS INFORMATION THAT IS PROPRIETARY TO MOLEX INCORPORATED AND SHOULD NOT BE USED WITHOUT WRITTEN PERMISSION			
DRAFT WHERE APPLICABLE MUST REMAIN WITHIN DIMENSIONS			SIZE C									



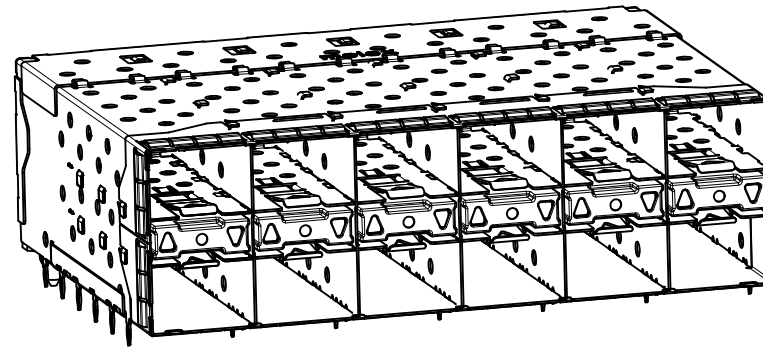
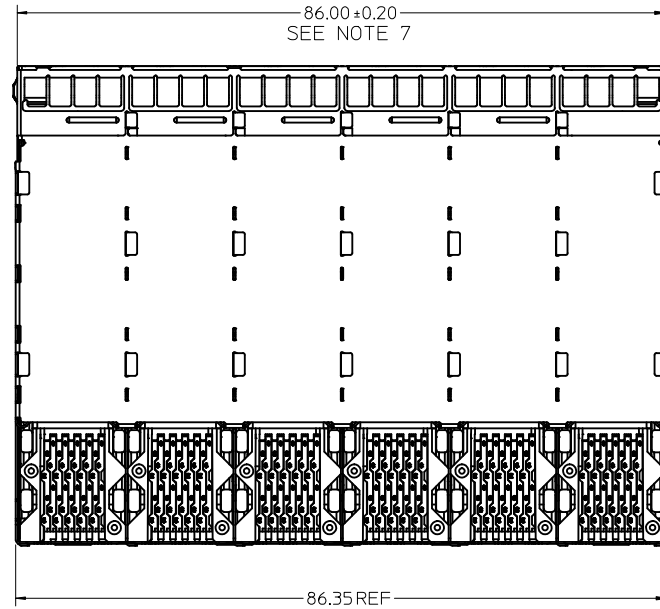
760480001 AND 760485001
WITH INNER AND OUTER LIGHTPIPPES



760480002 AND 760485002
WITH INNER LIGHTPIPPES

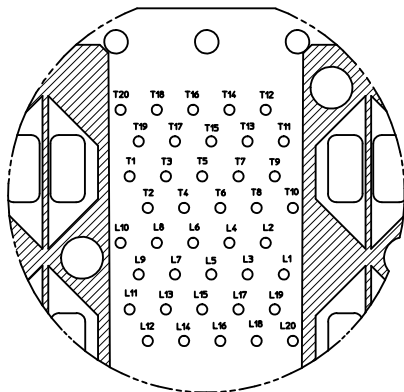


760480003 AND 760485003
WITH OUTER LIGHTPIPPES

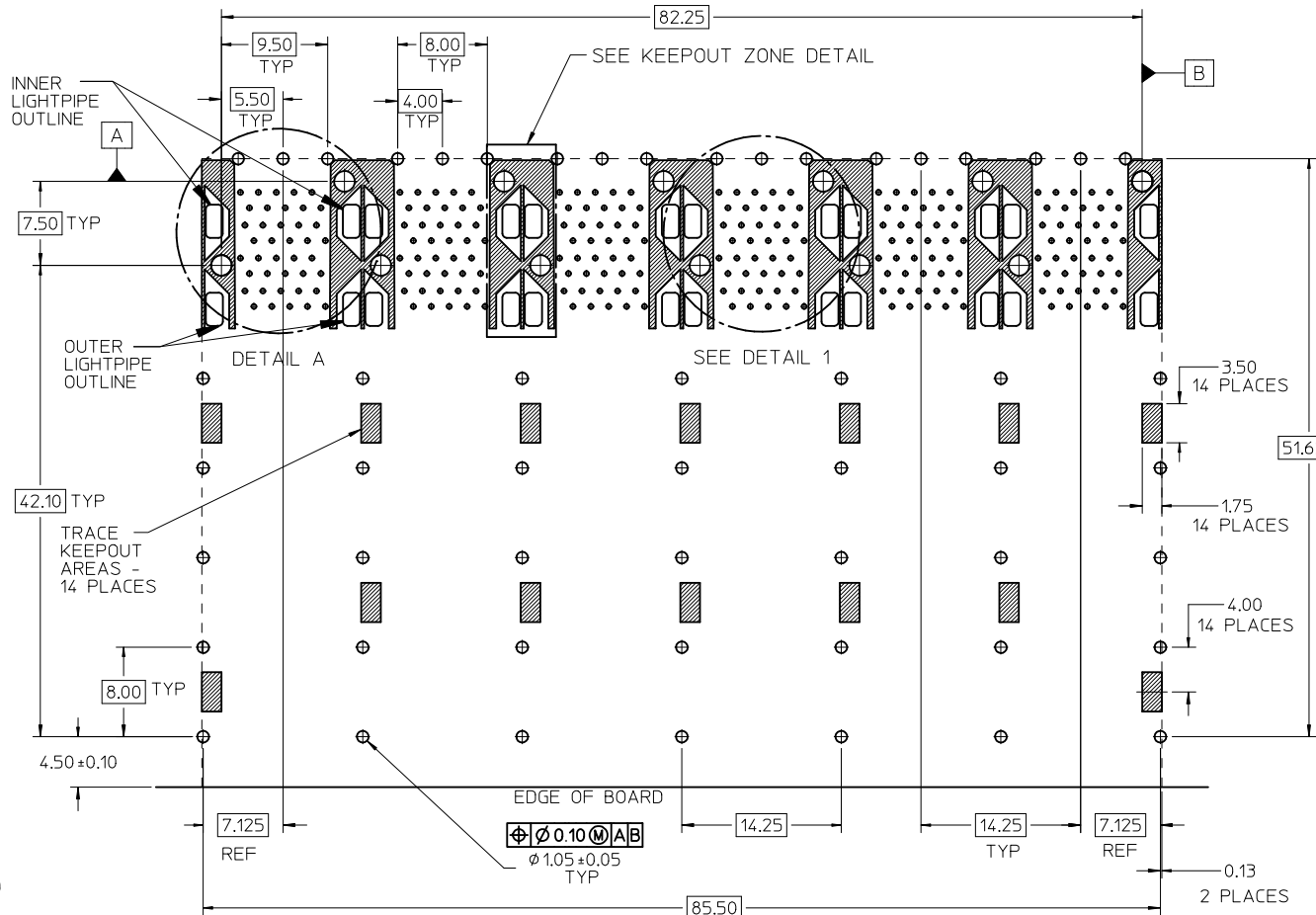


760485004
WITH OUTER LIGHTPIPPES

SEE SHEET 1 EC NO: UCP2011-2450 DRWN:WOLFE 2011/03/08 CHKD:MIBARRA 2011/03/08 APPR:SMILLER 2011/11/09	QUALITY SYMBOLS ∇=0 ∇=0 ∇=0	GENERAL TOLERANCES (UNLESS SPECIFIED)		DIMENSION STYLE MM ONLY		SCALE 2:1	DESIGN UNITS METRIC	THIRD ANGLE PROJECTION		
		mm	INCH	DRAWN BY	DATE	TITLE STACKED SFP+ 2X6 ASSY WITH METAL EMI GASKET AND LIGHTPIPPES				
		4 PLACES ± ---	± ---	MSANDBERG	09/28/2006					
		3 PLACES ± ---	± ---	CHECKED BY	DATE	MOLEX INCORPORATED DOCUMENT NO. SD-76048-001 SHEET NO. 2 OF 5				
2 PLACES ± 0.13	± ---	JLONG	09/28/2006							
1 PLACE ± 0.25	± ---	APPROVED BY	DATE	THIS DRAWING CONTAINS INFORMATION THAT IS PROPRIETARY TO MOLEX INCORPORATED AND SHOULD NOT BE USED WITHOUT WRITTEN PERMISSION						
ANGULAR ± 5 °		KREGNIER	09/28/2006							
DRAFT WHERE APPLICABLE MUST REMAIN WITHIN DIMENSIONS		SEE TABLE								

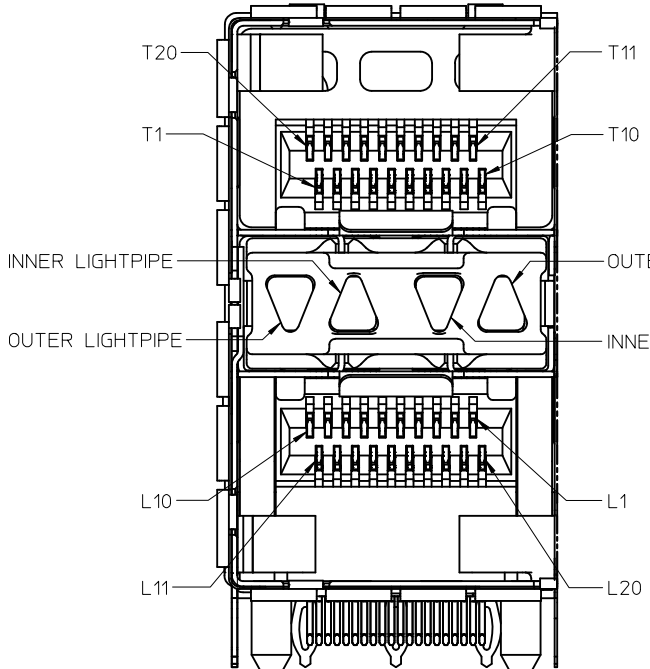


DETAIL 1
SCALE 6:1



RECOMMENDED PCB LAYOUT - COMPONENT SIDE
RECOMMENDED PCB THICKNESS - 2.63 MM (.093 INCH)

THE ENTIRE AREA OF THE CONNECTOR FOOTPRINT
TO BE CONSIDERED THE KEEP OUT AREA FOR COMPONENTS
(OTHER THAN LIGHT PIPE LED'S)
THIS AREA IS INDICATED BY THE DASHED LINE

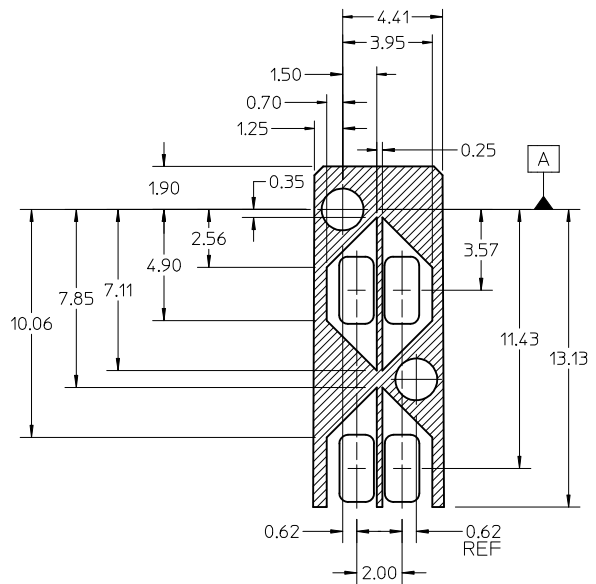


DETAIL 3
SCALE 6:1

ADD DETAIL 3 EC NO: UCP2011-2450 DRWN:WOLFE 2011/03/08 CHKD:MIBARRA 2011/03/08 APPR:SMILLER 2011/11/09	QUALITY SYMBOLS	GENERAL TOLERANCES (UNLESS SPECIFIED)	DIMENSION STYLE MM ONLY	SCALE 3:1	DESIGN UNITS METRIC	THIRD ANGLE PROJECTION
	▽=0	mm INCH	DRAWN BY DATE MSANDBERG 09/28/2006	TITLE	STACKED SFP+ 2X6 ASSY WITH METAL EMI GASKET AND LIGHTPIPES	
	▽=0	4 PLACES ± --- ± --- 3 PLACES ± --- ± --- 2 PLACES ± 0.13 ± --- 1 PLACE ± 0.25 ± ---	CHECKED BY DATE JLONG 09/28/2006	APPROVED BY DATE KREGNIER 09/28/2006		
	▽=0	ANGULAR ± 5 °	MATERIAL NO. SEE TABLE	DOCUMENT NO. SD-76048-001	SHEET NO. 3 OF 5	

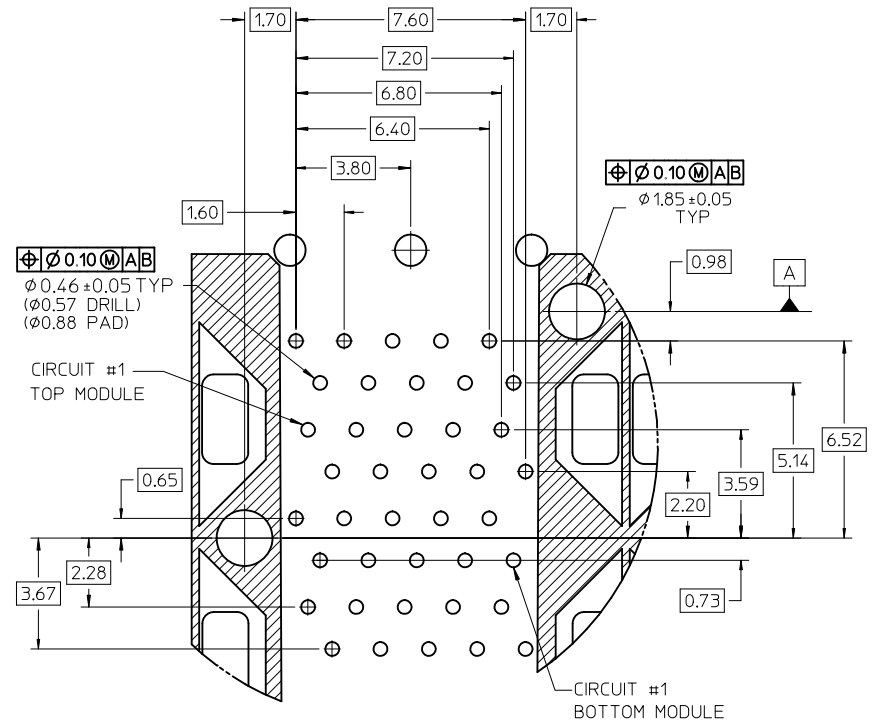
DRAFT WHERE APPLICABLE
MUST REMAIN
WITHIN DIMENSIONS

THIS DRAWING CONTAINS INFORMATION THAT IS PROPRIETARY TO MOLEX
INCORPORATED AND SHOULD NOT BE USED WITHOUT WRITTEN PERMISSION



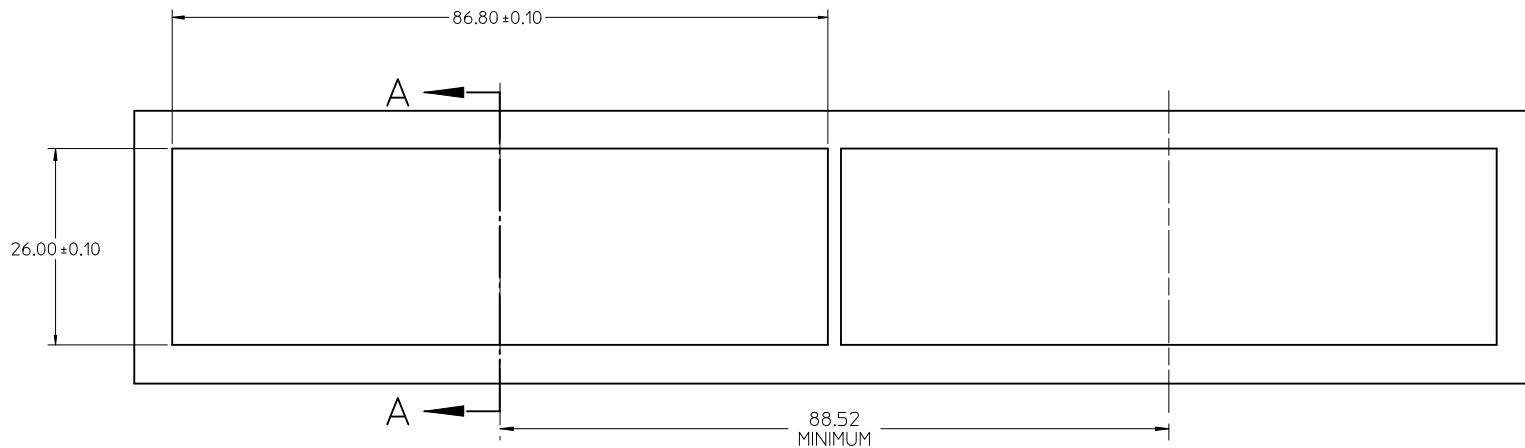
DETAIL - LIGHTPIPE LOCATION AND OTHER ZONES
SCALE 6:1

THE HATCHED AREA IN THIS VIEW INDICATES ZONES THAT ARE OCCUPIED BY THE PLASTIC HOUSING THAT SEATS AGAINST THE PCB AND BY THE VERTICAL METAL CAGE WALL THAT STOPS JUST SHORT OF THE PCB

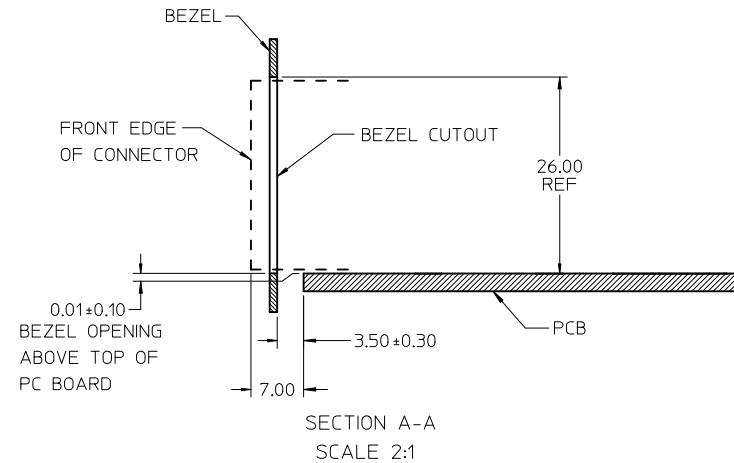


DETAIL A
SCALE 8:1

SEE SHEET 1 EC NO: UCP2011-2450 DRAWN: MWOLFE 2011/03/08 CHKD: MIBARRA 2011/03/08 APPR: SMILLER 2011/11/09	QUALITY SYMBOLS ▽=0 ▽=0 ▽=0	GENERAL TOLERANCES (UNLESS SPECIFIED)		DIMENSION STYLE MM ONLY	SCALE 2:1	DESIGN UNITS METRIC	THIRD ANGLE PROJECTION		
		4 PLACES ± --- ± ---	3 PLACES ± --- ± ---	2 PLACES ± 0.13 ± ---	1 PLACE ± 0.25 ± ---	ANGULAR ± 5 °	DRAWN BY MSANDBERG	DATE 09/28/2006	CHECKED BY JLONG
D	DESCRIPTION	DRAFT WHERE APPLICABLE MUST REMAIN WITHIN DIMENSIONS		SIZE C	MATERIAL NO. SEE TABLE		DOCUMENT NO. SD-76048-001		
		THIS DRAWING CONTAINS INFORMATION THAT IS PROPRIETARY TO MOLEX INCORPORATED AND SHOULD NOT BE USED WITHOUT WRITTEN PERMISSION						SHEET NO. 4 OF 5	



BEZEL CUTOUT CENTER SPACING DETAIL
BEZEL THICKNESS 0.8 - 2.6



ADD SECOND BEZEL CUTOUT EC NO: UCP2011-2450 DRWN:WOLFE 2011/03/08 CHKD:MIBARRA 2011/03/08 APPR:SMILLER 2011/11/09	QUALITY SYMBOLS ▽=0 ▽=0 ▽=0	GENERAL TOLERANCES (UNLESS SPECIFIED)		DIMENSION STYLE MM ONLY		SCALE 3:1	DESIGN UNITS METRIC	THIRD ANGLE PROJECTION		
		4 PLACES ± --- ± ---	3 PLACES ± --- ± ---	2 PLACES ± 0.13 ± ---	1 PLACE ± 0.25 ± ---	DRAWN BY MSANDBERG	DATE 09/28/2006	TITLE STACKED SFP+ 2X6 ASSY WITH METAL EMI GASKET AND LIGHTPIPES		
		ANGULAR ± 5 °		DRAFT WHERE APPLICABLE MUST REMAIN WITHIN DIMENSIONS		CHECKED BY JLONG	DATE 09/28/2006			
		MATERIAL NO.		SEE TABLE		APPROVED BY KREGNIER	DATE 09/28/2006	MOLEX INCORPORATED DOCUMENT NO. SD-76048-001		SHEET NO. 5 OF 5