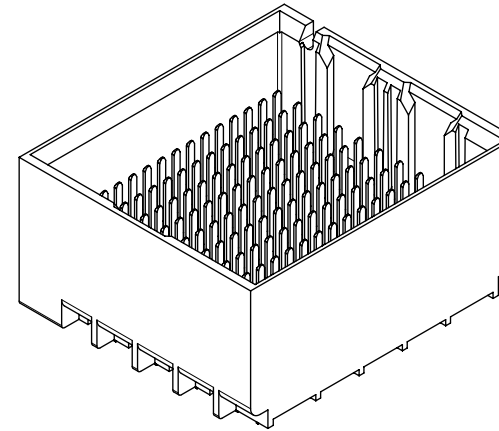


- NOTES:
1. MATERIALS: HOUSING - LIQUID CRYSTAL POLYMER (LCP)  
GLASS-FILLED, UL94V-0  
TERMINALS - HIGH PERFORMANCE COPPER ALLOY
  2. FINISH: 30μ MIN. GOLD IN CONTACT AREA.  
SELECTIVE TIN ON PCB TAILS.  
NICKEL OVERALL.
  3. REFER TO MOLEX PRODUCT SPECIFICATION PS-76060-999 FOR PERFORMANCE SPECIFICATIONS AND ADDITIONAL PCB INFORMATION.
  4. THIS PART CONFORMS TO CLASS B REQUIREMENTS OF MOLEX COSMETIC SPEC PS-45499-002.
  5. PARTS PACKAGED PER PK-70873-7702.
  6. SEE SHEETS 2 & 3 FOR PART NUMBERS AND BOARD RELATIONSHIPS.
  7. MATES WITH IMPACT DC SERIES NO. 76060.
  8. REFER TO MOLEX PCB ROUTING GUIDE AS-76060-990 FOR ANTIPAD AND ROUTING RECOMMENDATIONS.
  9. "THESE DIMENSIONS REPRESENT THE AREA NEEDED TO ACCOMMODATE CONNECTOR INSERTION AND REPAIR ON THE PC BOARD. THIS IS REFERRED TO AS THE "CONNECTOR KEEP OUT ZONE" AND DOES NOT REPRESENT THE ACTUAL PERIMETER OF THE CONNECTOR. WHEN LAYING OUT A PC BOARD FOR CONNECTORS STACKED TOGETHER, USE THE 1.9mm PROGRESSION."

THIS DRAWING CONTAINS INFORMATION THAT IS PROPRIETARY TO MOLEX ELECTRONIC TECHNOLOGIES, LLC AND SHOULD NOT BE USED WITHOUT WRITTEN PERMISSION											
MIGRATED TO NX EC NO: 167486 DRWN: ABABU01 CHKD: CD REV / APPR: GGA	GENERAL TOLERANCES (UNLESS SPECIFIED)		DIMENSION UNITS	SCALE							
	ANGULAR TOL ± 0.5 °		MM	4:1							
	4 PLACES ±	JLAURX	DATE	2007/06/18		IMPACT 5 PAIR HEADER UNGUIDED ASSEMBLY SALES DRAWING					
	3 PLACES ±	JLAURX	DATE	2007/06/18							
	2 PLACES ± 0.13	JLAURX	DATE	2010/10/15		PRODUCT CUSTOMER DRAWING					
1 PLACE ± 0.25	JLAURX	DATE	2010/10/15		SERIES	MATERIAL NUMBER	CUSTOMER				
0 PLACES ±	JLAURX	DATE	2010/10/15		76055	SEE TABLE	GENERAL MARKET				
DRAFT WHERE APPLICABLE MUST REMAIN WITHIN DIMENSIONS		DRAWING SIZE	THIRD ANGLE PROJECTION		DOCUMENT NUMBER		DOC TYPE	DOC PART	SHEET NUMBER		
C		C			SD-76055-001		PSD	001	1 OF 3		

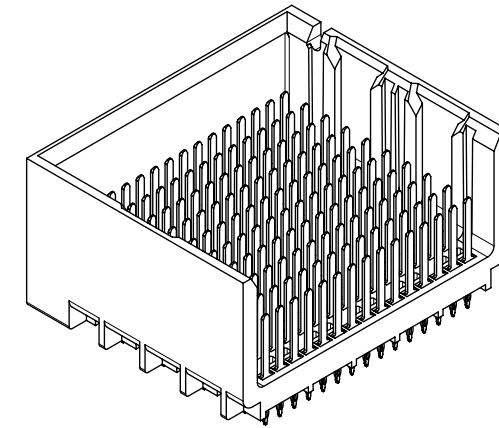
## PART NUMBER TABLE

MATERIAL NUMBER	# OF COLUMNS	# OF DIFF PAIR	DIM. A	DIM. B	<b>DUAL END WALL OPTION</b>
76055-*12*	10	50	21.7	17.10	
76055-*22*	12	60	25.5	20.90	
76055-*72*	14	70	29.3	24.70	
76055-*62*	16	80	33.1	28.50	



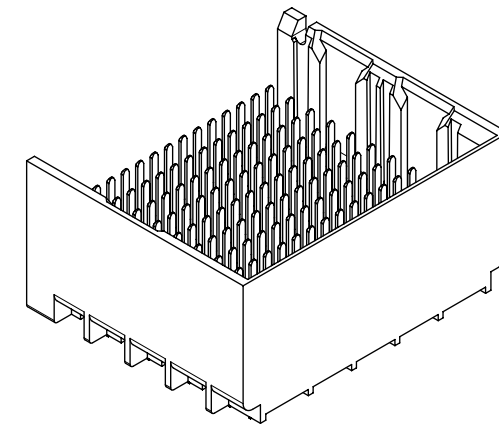
**DUAL END  
WALL OPTION**

MATERIAL NUMBER	# OF COLUMNS	# OF DIFF PAIR	DIM. A	DIM. B	<b>LEFT END WALL OPTION</b>
76055-*11*	10	50	20.3	17.10	
76055-*21*	12	60	24.1	20.90	
76055-*71*	14	70	27.9	24.70	
76055-*61*	16	80	31.7	28.50	



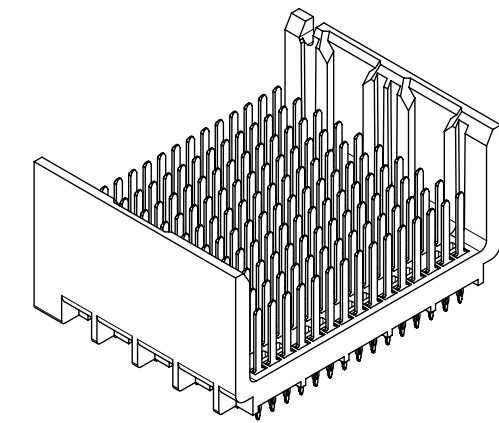
**LEFT END  
WALL OPTION**

MATERIAL NUMBER	# OF COLUMNS	# OF DIFF PAIR	DIM. A	DIM. B	<b>RIGHT END WALL OPTION</b>
76055-*13*	10	50	20.3	17.10	
76055-*23*	12	60	24.1	20.90	
76055-*73*	14	70	27.9	24.70	
76055-*63*	16	80	31.7	28.50	



**RIGHT END  
WALL OPTION**

MATERIAL NUMBER	# OF COLUMNS	# OF DIFF PAIR	DIM. A	DIM. B	<b>OPEN WALL OPTION</b>
76055-*10*	10	50	18.9	17.10	
76055-*20*	12	60	22.7	20.90	
76055-*70*	14	70	26.5	24.70	
76055-*60*	16	80	30.3	28.50	



**OPEN  
WALL OPTION**

THIS DRAWING CONTAINS INFORMATION THAT IS PROPRIETARY TO MOLEX ELECTRONIC TECHNOLOGIES, LLC AND SHOULD NOT BE USED WITHOUT WRITTEN PERMISSION												
MIGRATED TO NX EC NO: 167486 DRWN: ABABU01 CHKD: CD REV / APPR: GGA	2017/10/31	GENERAL TOLERANCES (UNLESS SPECIFIED)		DIMENSION UNITS	SCALE							
	2017/10/31	ANGULAR TOL ± 0.5 °		MM	2:1							
	2017/11/02	4 PLACES ±	DRWN BY		DATE		<b>IMPACT 5 PAIR HEADER</b> UNGUIDED ASSEMBLY SALES DRAWING  PRODUCT CUSTOMER DRAWING					
	J2	3 PLACES ±	JLAURX		2007/06/18							
	REV	2 PLACES ± 0.13	CHKD BY		DATE							
APP	1 PLACE ± 0.25	JLAURX		2007/06/18								
R	0 PLACES ±	APPR BY		DATE								
DRAFT WHERE APPLICABLE MUST REMAIN WITHIN DIMENSIONS		DRAWING SIZE		THIRD ANGLE PROJECTION		SERIES	MATERIAL NUMBER	CUSTOMER				
		C				76055	SEE TABLE	GENERAL MARKET				
						DOCUMENT NUMBER		DOC TYPE	DOC PART	SHEET NUMBER		
						SD-76055-001		PSD	001	2 OF 3		

# PART NUMBER LOGIC

76055-\*\*\*\*

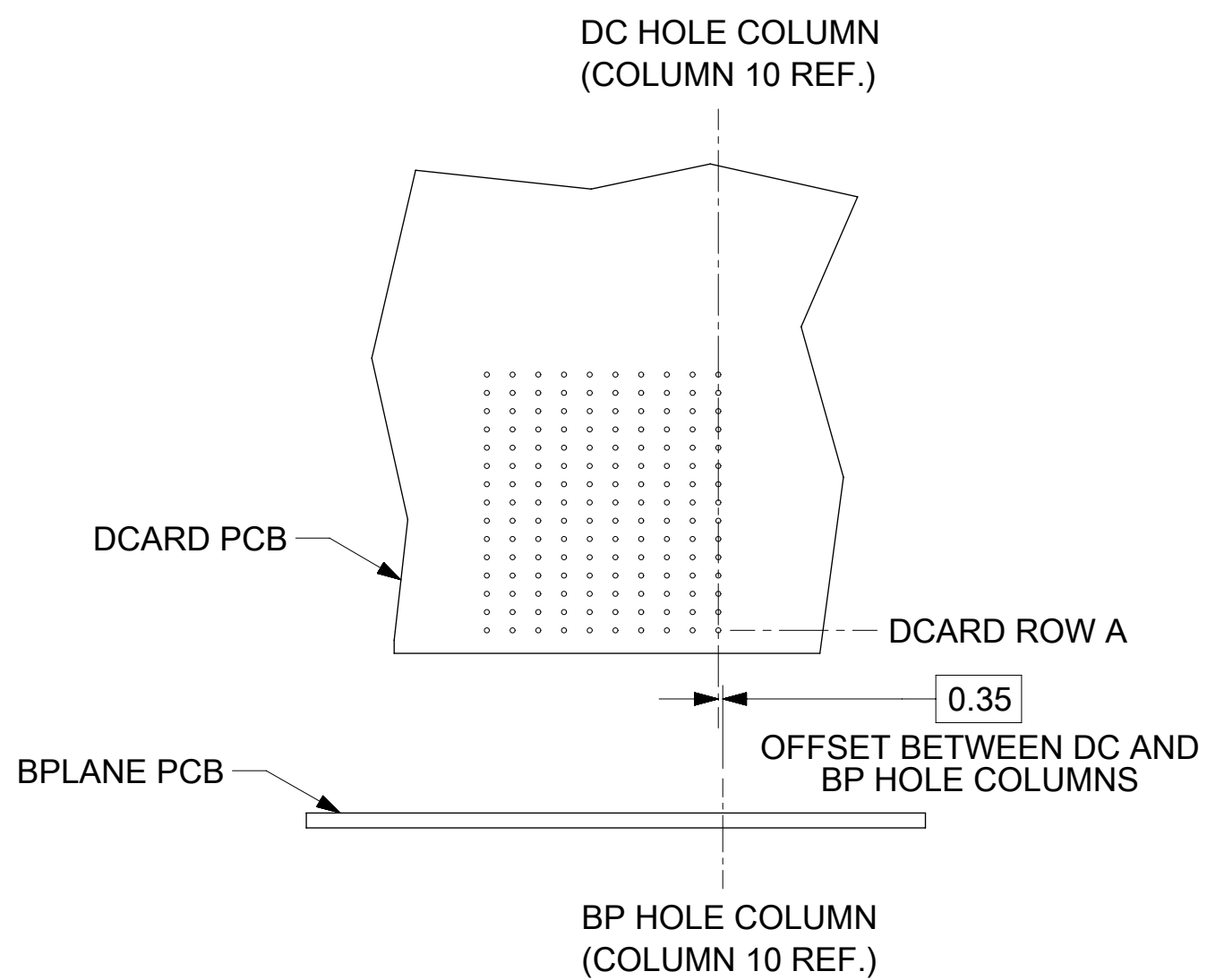
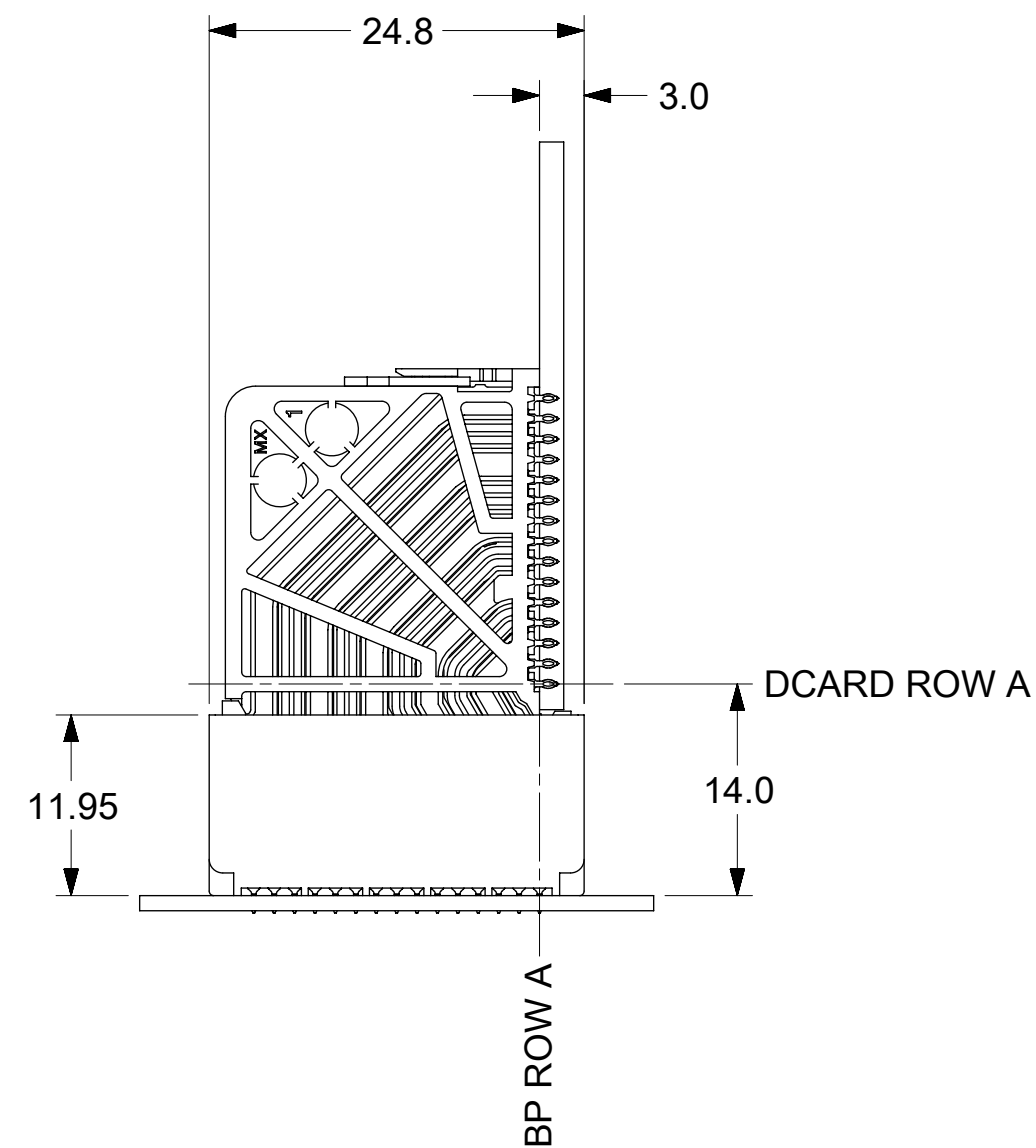
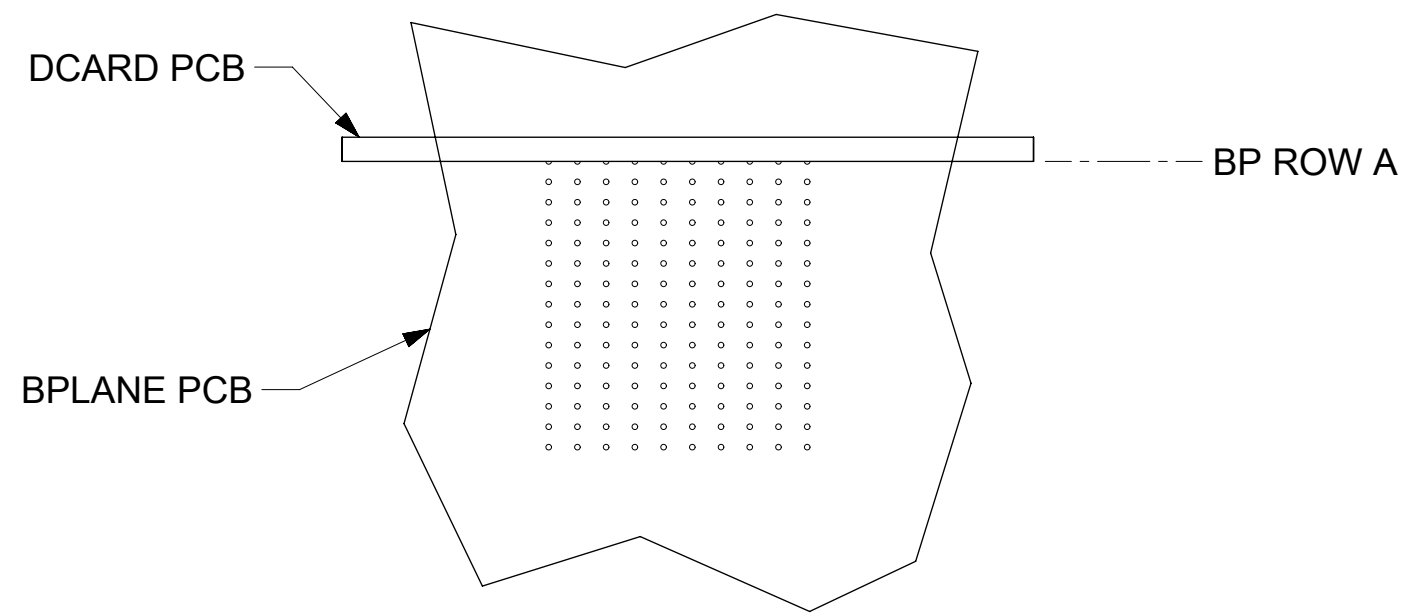
MODULE TYPE  
1 = UNGUIDED, TIN

# OF COLUMNS  
1 = 10 COL.  
2 = 12 COL.  
6 = 16 COL.  
7 = 14 COL.

P=PIN LENGTH  
3 = 4.50 (SHORT COMPLIANT, 0.46±0.05 PTH)  
4 = 4.90 (SHORT COMPLIANT, 0.46±0.05 PTH)  
5 = 5.50 (SHORT COMPLIANT, 0.46±0.05 PTH)  
6 = 4.50 (MICRO COMPLIANT, 0.39±0.05 PTH)  
7 = 4.90 (MICRO COMPLIANT, 0.39±0.05 PTH)  
8 = 5.50 (MICRO COMPLIANT, 0.39±0.05 PTH)

ENDWALL OPTIONS  
0 = OPEN ENDS  
1 = LEFT END WALL  
2 = DUAL END WALL  
3 = RIGHT END WALL

## IMPACT 5 PAIR BOARD RELATIONSHIPS



THIS DRAWING CONTAINS INFORMATION THAT IS PROPRIETARY TO MOLEX ELECTRONIC TECHNOLOGIES, LLC AND SHOULD NOT BE USED WITHOUT WRITTEN PERMISSION

MIGRATED TO NX EC NO: 167486 DRWN: ABABU01 CHKD: CD REV / APPR: GGA	2017/10/31	2017/10/31	2017/11/02	GENERAL TOLERANCES (UNLESS SPECIFIED)	DIMENSION UNITS	SCALE			
					MM	2:1			
					ANGULAR TOL ± 0.5 °	DRWN BY		DATE	
					4 PLACES ±	JLAURX		2007/06/18	
			3 PLACES ±	CHKD BY	DATE	IMPACT 5 PAIR HEADER UNGUIDED ASSEMBLY SALES DRAWING			
			2 PLACES ± 0.13	JLAURX	2007/06/18				
			1 PLACE ± 0.25	APPR BY	DATE				
			0 PLACES ±	JLAURX	2010/10/15				
DRAFT WHERE APPLICABLE MUST REMAIN WITHIN DIMENSIONS				DRAWING SIZE	THIRD ANGLE PROJECTION	SERIES	MATERIAL NUMBER	CUSTOMER	
				C		76055	SEE TABLE	GENERAL MARKET	
						DOCUMENT NUMBER	DOC TYPE	DOC PART	SHEET NUMBER
						SD-76055-001	PSD	001	3 OF 3