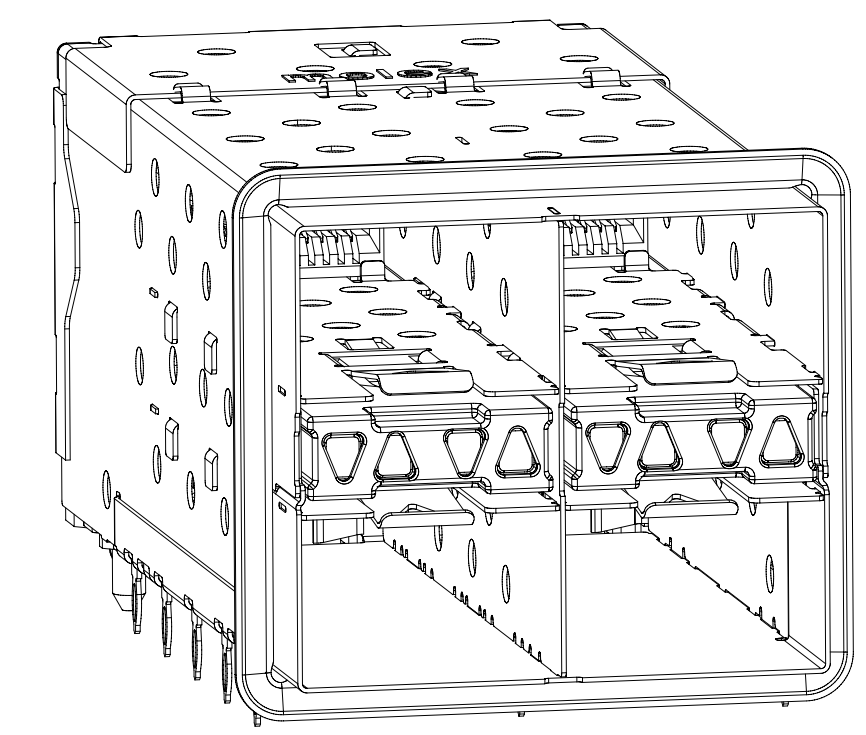


NOTES

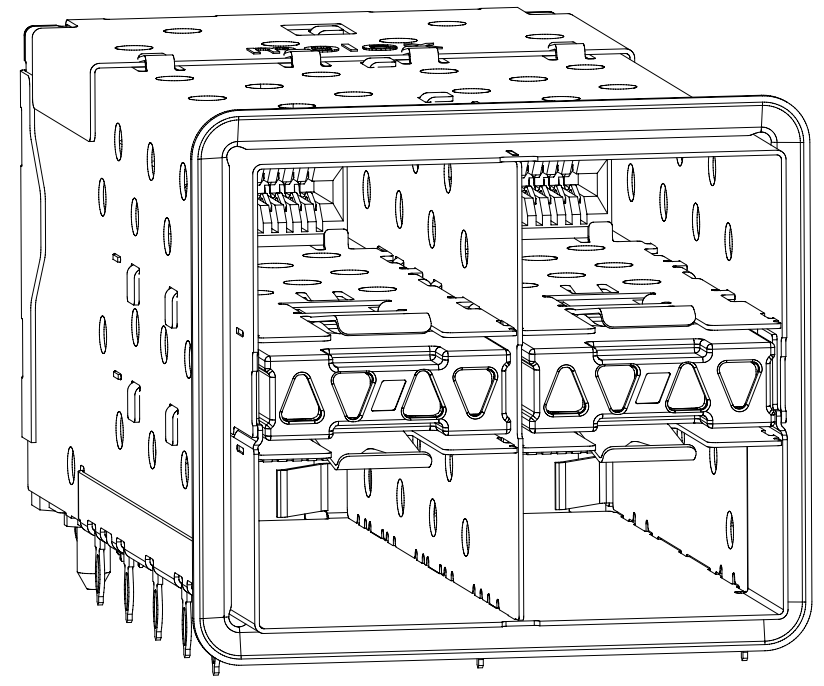
- MATERIAL:**
 CAGE: NICKEL SILVER, THICKNESS: 0.25mm
 CONNECTOR HOUSING: GLASS FILLED LIQUID CRYSTAL POLYMER (LCP), UL 94V-0, COLOR: BLACK
 OVERMOLD TERMINAL HOUSING: GLASS FILLED LIQUID CRYSTAL POLYMER (LCP), UL 94V-0, COLOR: BLACK
 TERMINALS: TIN BRASS
 EMI GASKET: CONDUCTIVE ELASTOMER
 LIGHTPIPE HOUSING: ZINC
 LIGHTPIPES: POLYCARBONATE, COLOR: CLEAR
- FINISHES:**
 TERMINALS: CONTACT AREA: 0.76 MICROMETERS MINIMUM HARD GOLD OVER 1.27 MICROMETERS MINIMUM NICKEL.
 COMPLIANT TAIL - MATTE TIN/LEAD OPTION: 0.76 TO 1.52 MICROMETERS 90/10 MATTE TIN-LEAD OVER 0.76 MICROMETERS MINIMUM NICKEL.
 COMPLIANT TAIL - MATTE TIN OPTION: 0.76 TO 1.52 MICROMETERS MATTE TIN OVER 0.76 MICROMETERS MINIMUM NICKEL.
 LIGHTPIPE HOUSING: 80 MICROMETERS MINIMUM NICKEL OVER COPPER
- REFER TO PS-75310-001 PROTECT SPEC FOR ALL ELECTRICAL, MECHANICAL, AND ENVIRONMENTAL SPECIFICATIONS.
- LIGHT PIPE PAD LAYOUT IS FOR O805 LOW-PROFILE LED PACKAGE, FOR OTHER RECOMMENDED LAYOUTS REFER TO MOLEX'S REPORT TS-75310-001.
- REFER TO PK-75714-001 FOR ALL PACKAGING SPECIFICATIONS.
- ALL EXTERIOR SURFACES TO BE A CLASS "B" SURFACE EXCEPT THE UNDER SIDE OF THE CAGE WHERE THE PCB WOULD BE LOCATED AND AS NOTED. THE SURFACES TO CONFORM TO THE MOLEX COSMETIC DOC PS-45499-002.
- REFER TO AS-76090-001 FOR HIGH SPEED ROUTING RECOMMENDATIONS.
- DATE CODE LOCATION IS SHOWN ABOVE.
 DATE CODE FORMAT: DDDY MX A1
 DDD = DAY OF THE YEAR
 Y = YEAR
 MX = MOLEX
 A = ALPHA CHARACTER - INDICATES MANUFACTURING LINE
 1 = NUMERIC CHARACTER - INDICATES PRODUCTION SHIFT

PART NUMBER	LIGHT PIPE CONFIGURATION (SEE SHEET 2)	COMPLIANT TAIL PLATING	CAGE PLATING
760910001	4 LIGHT PORTS	MATTE TIN / LEAD	N/A
760910002	INNER 2 PORTS	MATTE TIN / LEAD	N/A
760910003	OUTER 2 PORTS	MATTE TIN / LEAD	N/A
760915001	4 LIGHT PORTS	MATTE TIN	N/A
760915002	INNER 2 PORTS	MATTE TIN	N/A
760915003	OUTER 2 PORTS	MATTE TIN	N/A
760910001	4 LIGHT PORTS - SPECIAL CONFIGURATION	MATTE TIN	N/A

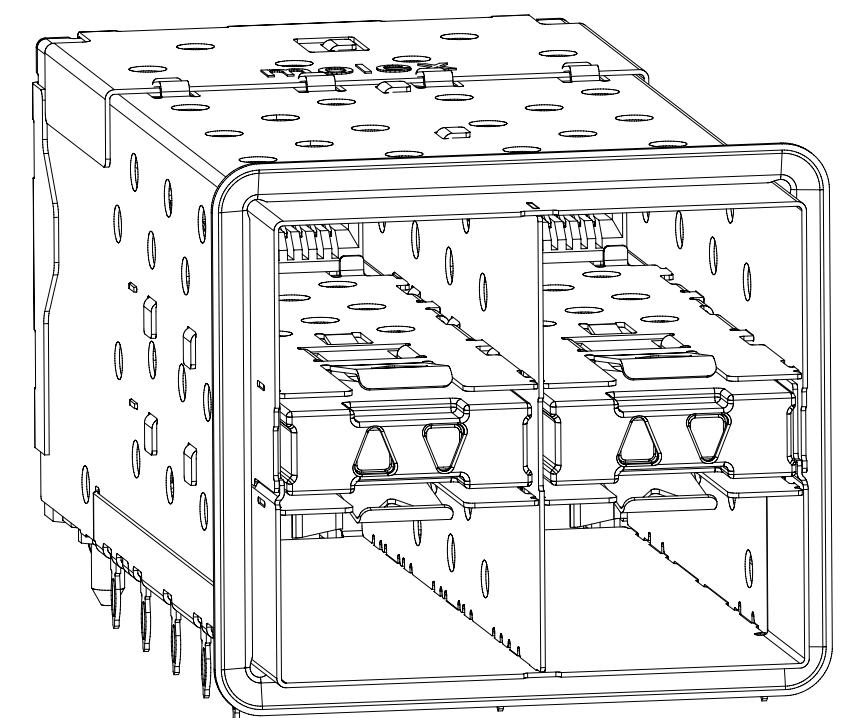
SYMBOLS		THIS DRAWING CONTAINS INFORMATION THAT IS PROPRIETARY TO MOLEX ELECTRONIC TECHNOLOGIES, LLC AND SHOULD NOT BE USED WITHOUT WRITTEN PERMISSION		CURRENT REV DESC: UPDATE FLANGE			
▽ = 0	mm	SCALE	3:1	EC NO: 174126			
▽ = 0	GENERAL TOLERANCES (UNLESS SPECIFIED)		DRWN: SVANG01		2018/01/22	PRODUCT CUSTOMER DRAWING	
▽ = 0	ANGULAR TOL ± 5.0°		CHK'D: MWOLFE		2018/03/23	DOCUMENT NUMBER	
▽ = 0	4 PLACES ±		APPR: SMILLER		2018/03/23	DOC TYPE DOC PART REVISION	
▽ = 0	3 PLACES ±		INITIAL REVISION:		SD-76091-001		PSD 001 G
▽ = 0	2 PLACES ± 0.13		DRWN: JLONG		2007/02/05	MATERIAL NUMBER	
▽ = 0	1 PLACE ± 0.25		APPR: RNELSON		2007/02/06	CUSTOMER	
▽ = 0	0 PLACES ±		THIRD ANGLE PROJECTION		SERIES		SHEET NUMBER
▽ = 0	DRAFT WHERE APPLICABLE MUST REMAIN WITHIN DIMENSIONS		DRAWING		C-SIZE	76091	SEE TABLE
▽ = 0			GENERAL MARKET		1 OF 4		



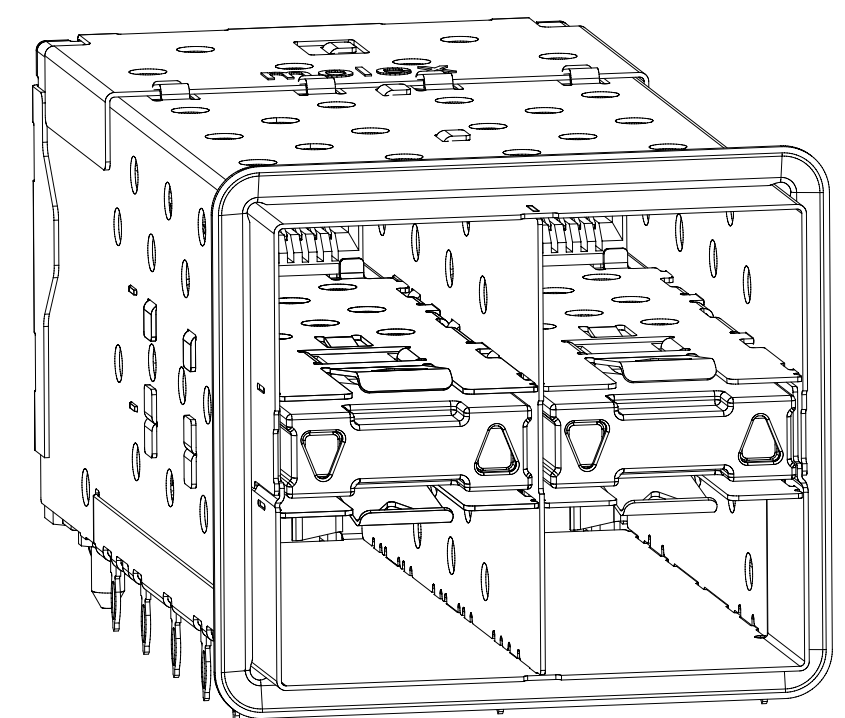
760910001 & 760915001
WITH INNER & OUTER LIGHTPIPE PORTS



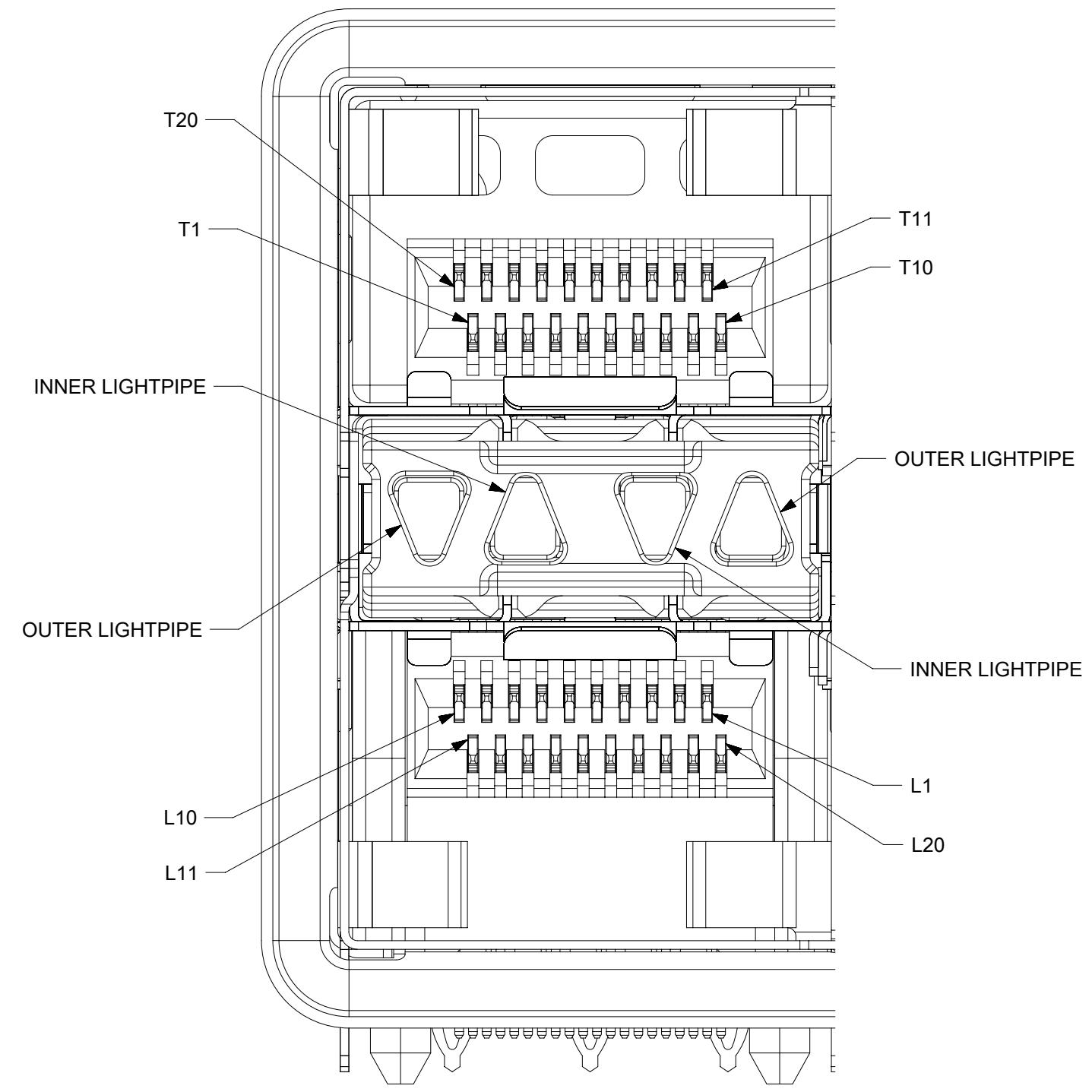
760915005
WITH INNER & OUTER LIGHTPIPE PORTS
SPECIAL CONFIGURATION



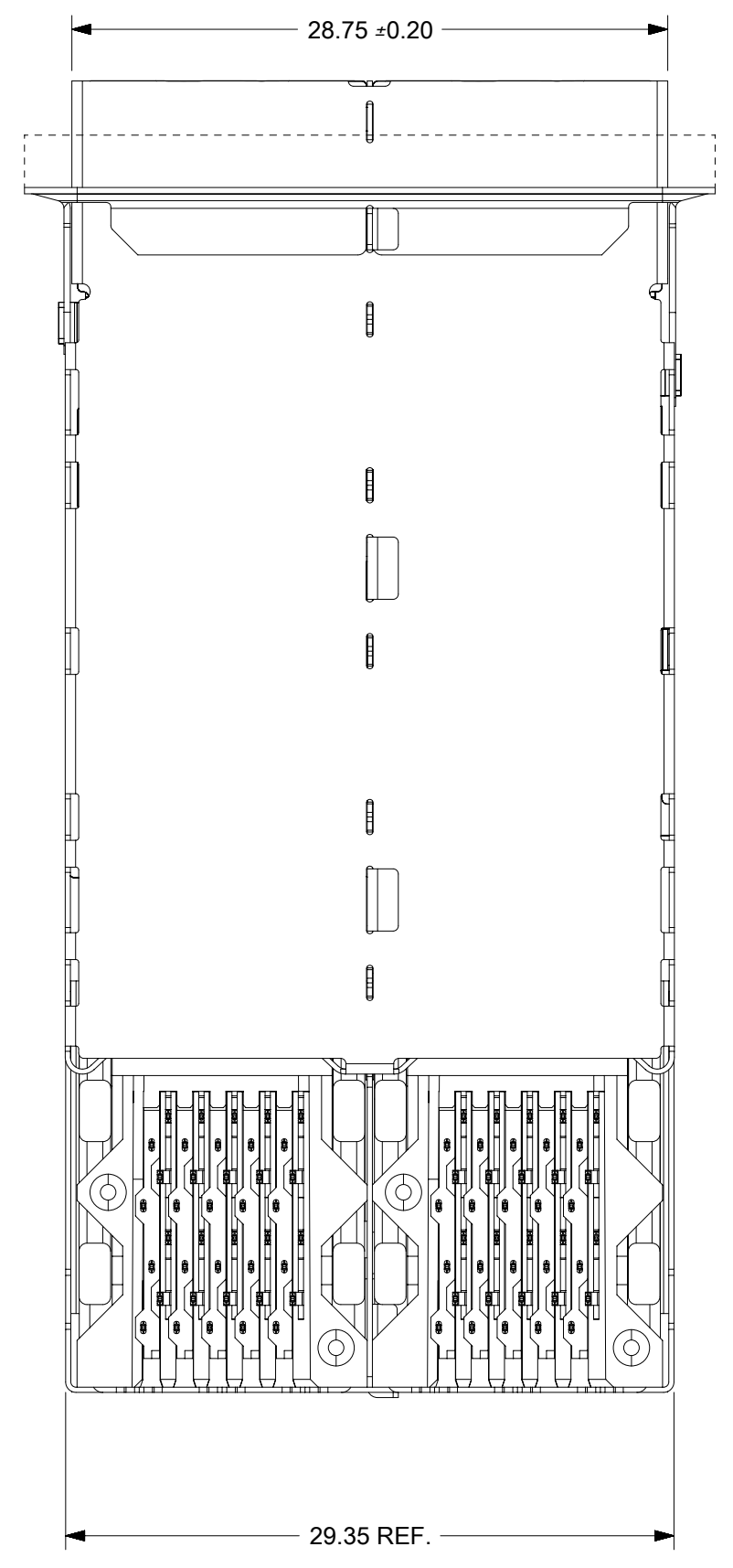
760910002 & 760915002
WITH INNER LIGHTPIPE PORTS



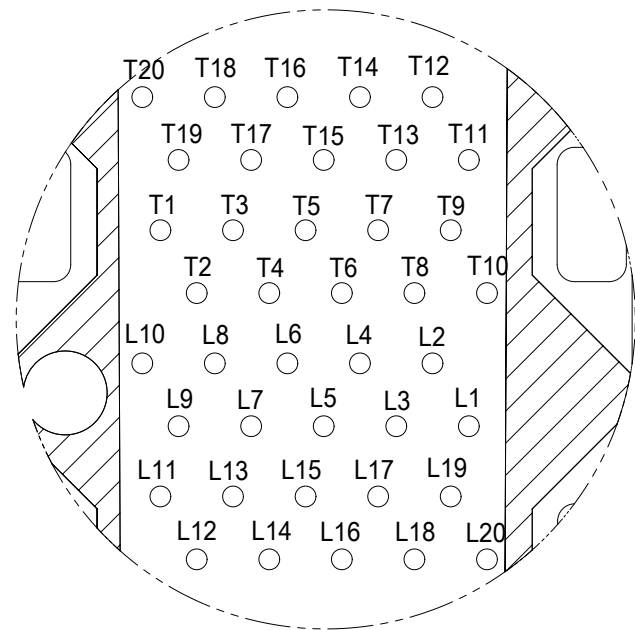
760910003 & 760915003
WITH OUTER LIGHTPIPE PORTS



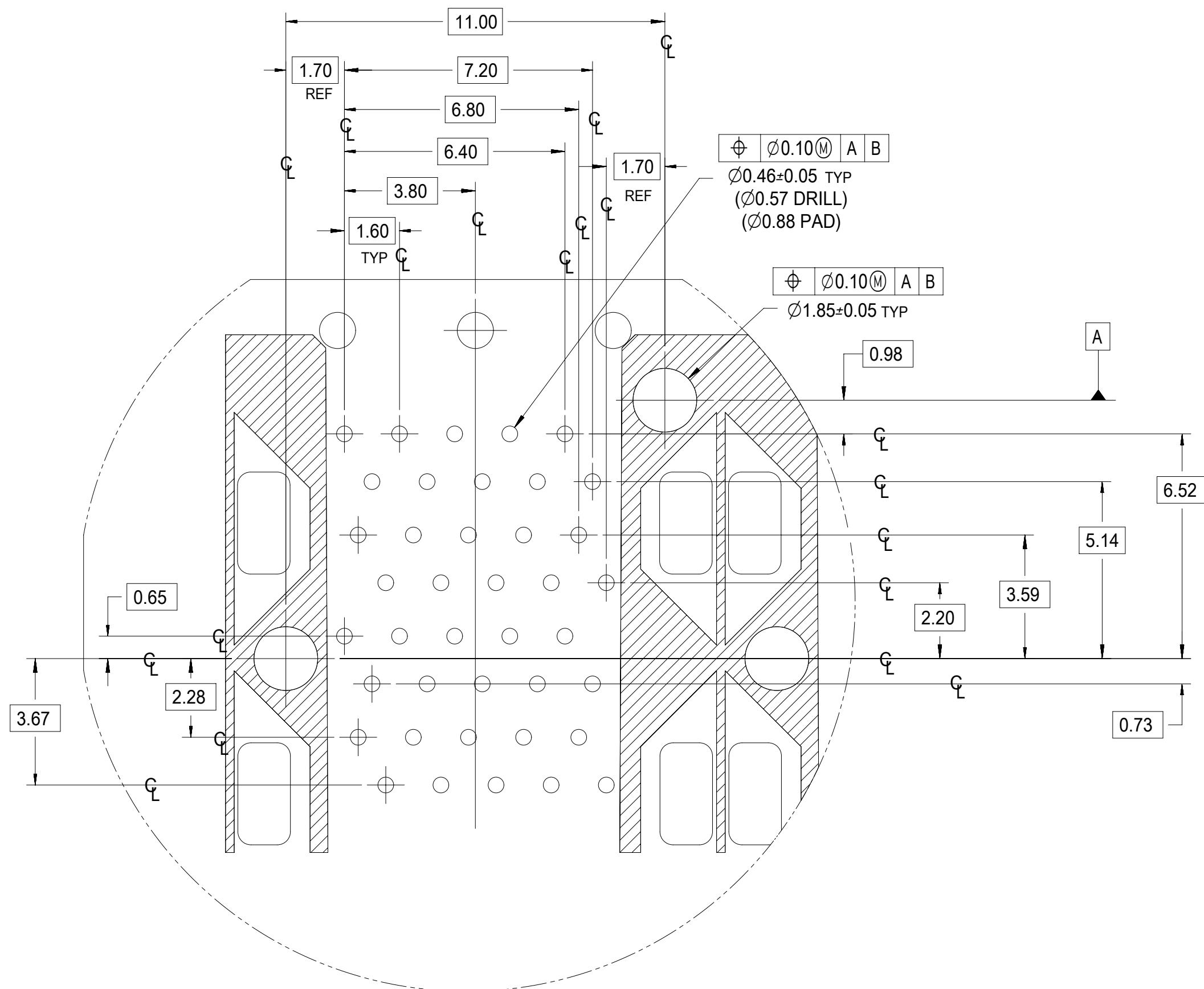
DETAIL B
SCALE 6:1
CIRCUIT NUMBERING AND
LIGHTPIPE IDENTIFICATION



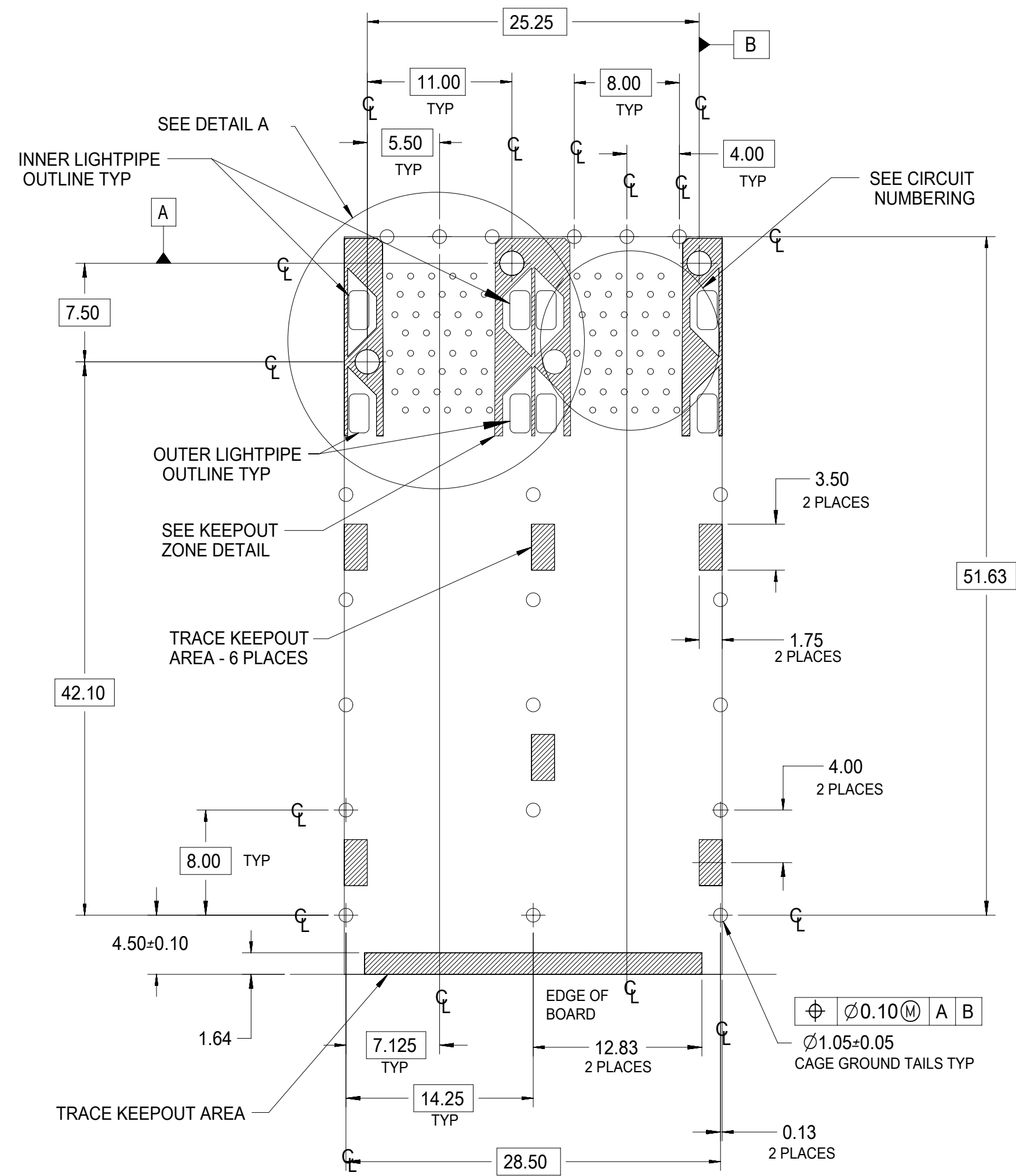
THIS DRAWING CONTAINS INFORMATION THAT IS PROPRIETARY TO MOLEX ELECTRONIC TECHNOLOGIES, LLC AND SHOULD NOT BE USED WITHOUT WRITTEN PERMISSION												
SYMBOLS		DIMENSION UNITS		SCALE		CURRENT REV DESC: UPDATE FLANGE						
▽ = 0	mm	3:1		molex STACKED SFP+ 2X2 ASSY WITH ELASTOMERIC GASKET AND LIGHTPIPES PRODUCT CUSTOMER DRAWING								
▽ = 0	GENERAL TOLERANCES (UNLESS SPECIFIED)											
▽ = 0	ANGULAR TOL ± 5.0°											
▽ = 0	4 PLACES ±											
▽ = 0	3 PLACES ±				EC NO: 174126		2018/01/22					
▽ = 0	2 PLACES ± 0.13				DRWN: SVANG01		2018/03/23					
▽ = 0	1 PLACE ± 0.25				CHK'D: MWOLFE		2018/03/23					
▽ = 0	0 PLACES ±				APPR: SMILLER		2018/03/23					
▽ = 0	DRAFT WHERE APPLICABLE MUST REMAIN WITHIN DIMENSIONS				INITIAL REVISION:							
▽ = 0					DRWN: JLONG		2007/02/05					
▽ = 0					APPR: RNELSON		2007/02/06					
THIRD ANGLE PROJECTION		DRAWING		SERIES		DOCUMENT NUMBER		DOC TYPE		DOC PART		
C-SIZE		76091		SD-76091-001		PSD		001		G		
MATERIAL NUMBER		CUSTOMER		SHEET NUMBER		SEE TABLE		GENERAL MARKET		2 OF 4		



CIRCUIT NUMBERING
COMPONENT SIDE OF BOARD

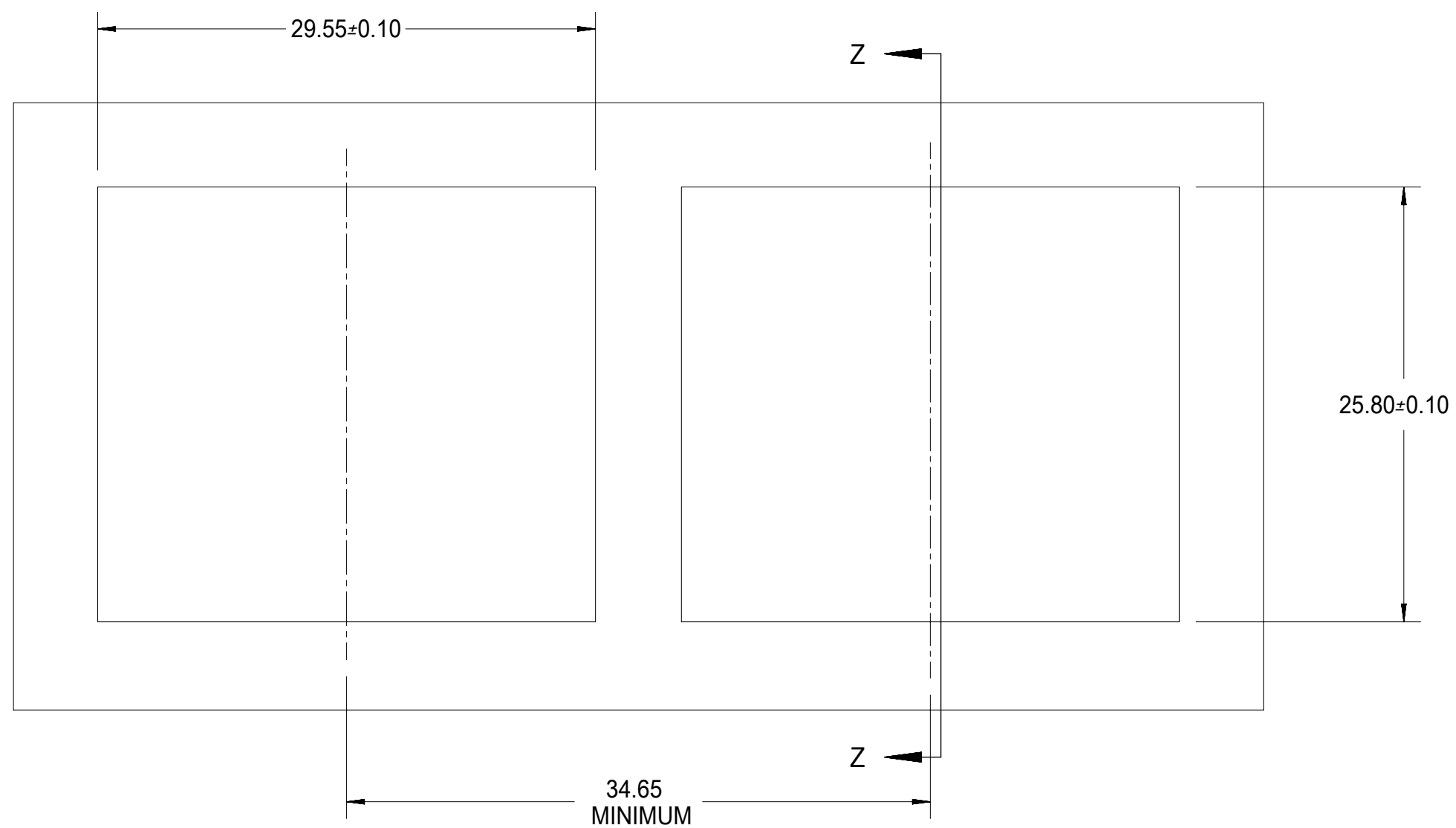


DETAIL A
SCALE 8:1

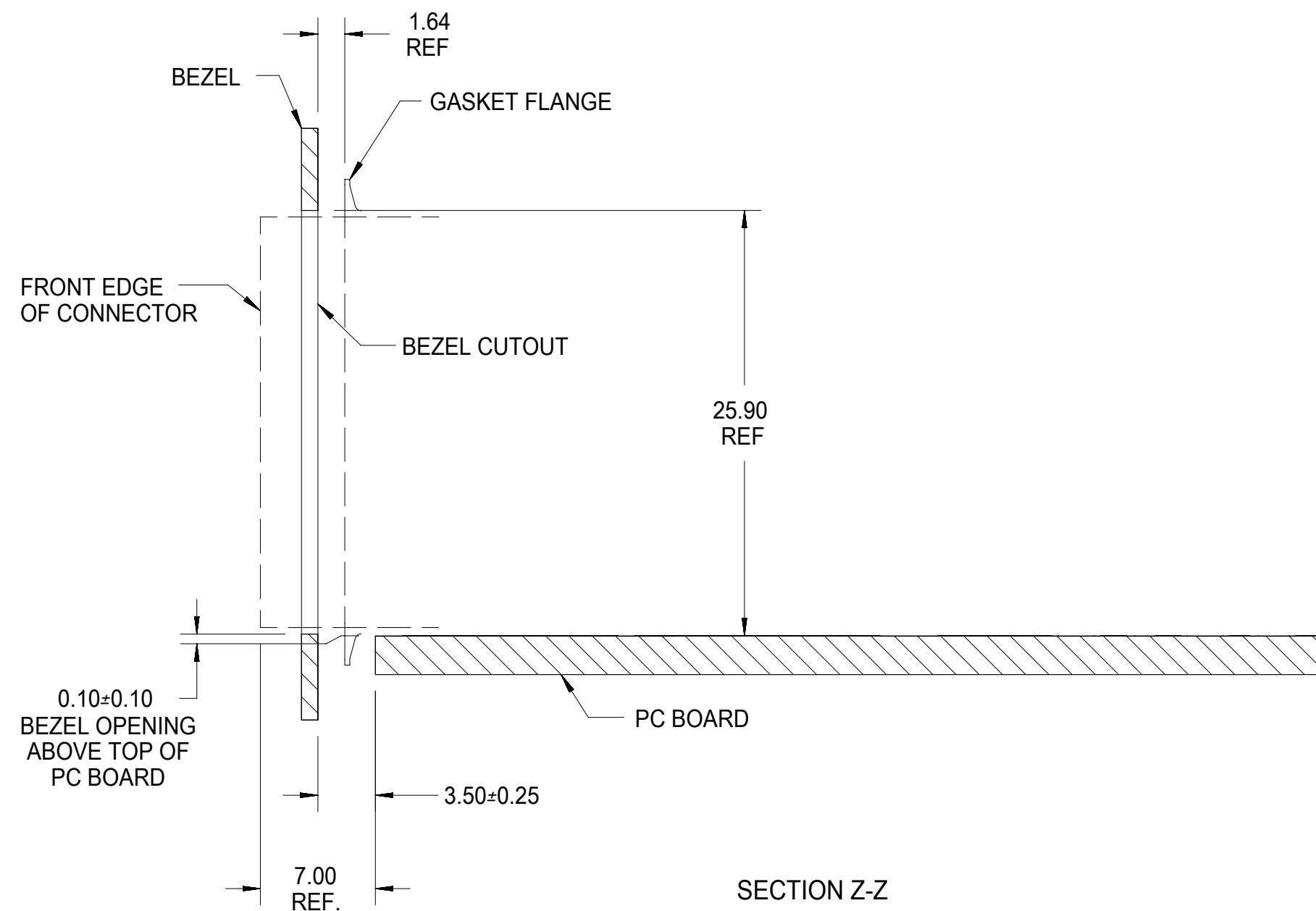


RECOMMENDED PCB LAYOUT - COMPONENT SIDE
RECOMMENDED PCB THICKNESS - 2.36 MM (.093 INCH)
THE ENTIRE AREA OF THE CONNECTOR FOOTPRINT
TO BE CONSIDERED THE KEEP OUT AREA FOR COMPONENTS
(OTHER THAN THE LIGHTPIPE LED'S)
THIS AREA IS INDICATED BY THE DASHED LINE

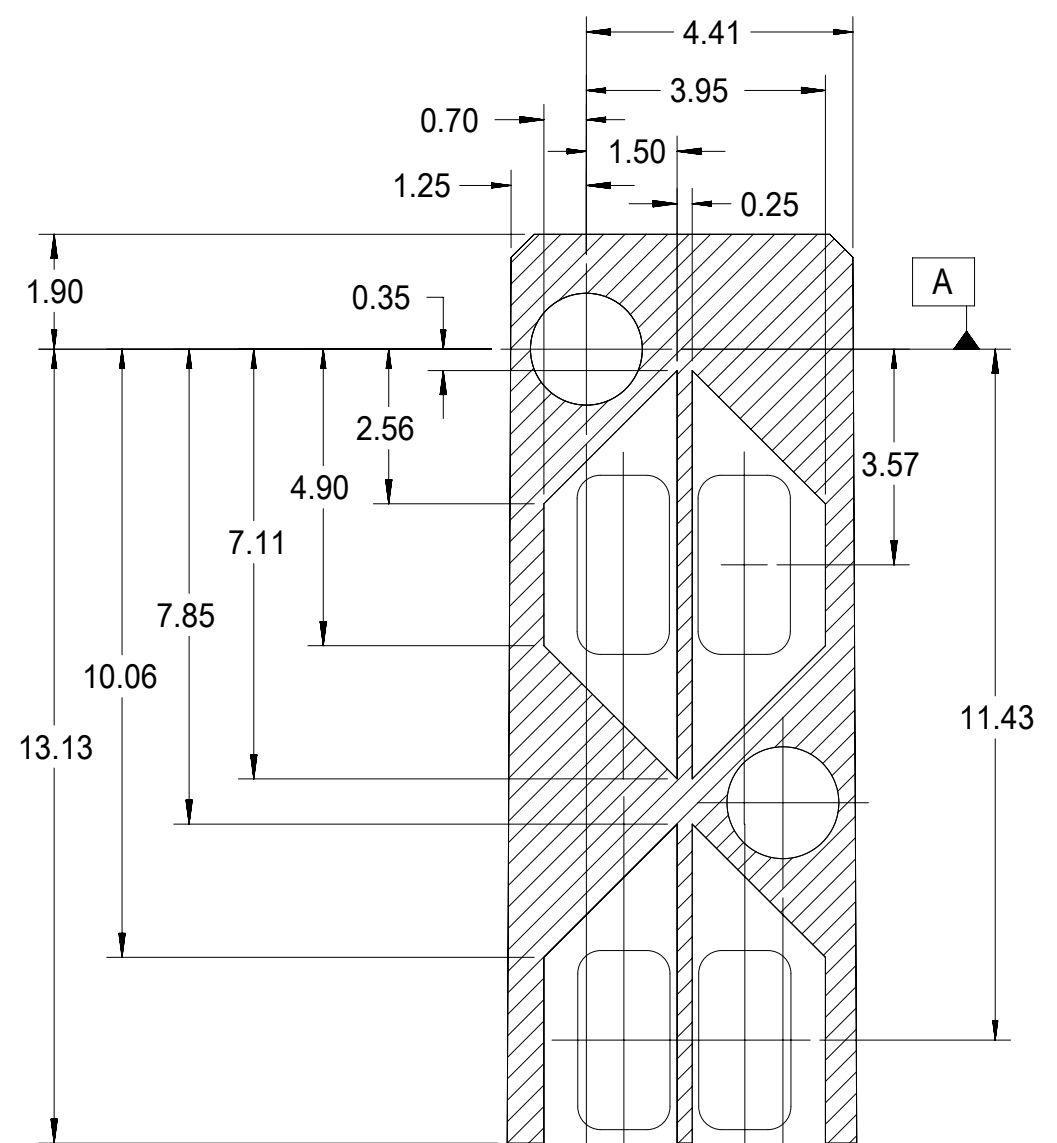
SYMBOLS		THIS DRAWING CONTAINS INFORMATION THAT IS PROPRIETARY TO MOLEX ELECTRONIC TECHNOLOGIES, LLC AND SHOULD NOT BE USED WITHOUT WRITTEN PERMISSION	
▽ = 0	mm	SCALE	3:1
▽ = 0	GENERAL TOLERANCES (UNLESS SPECIFIED)		
▽ = 0	ANGULAR TOL ± 5.0°		
▽ = 0	4 PLACES	±	
▽ = 0	3 PLACES	±	
▽ = 0	2 PLACES	±	0.13
▽ = 0	1 PLACE	±	0.25
▽ = 0	0 PLACES	±	
▽ = 0	DRAFT WHERE APPLICABLE MUST REMAIN WITHIN DIMENSIONS		
CURRENT REV		DESC: UPDATE FLANGE	
EC NO: 174126		2018/01/22	
DRWN: SVANG01		2018/03/23	
CHK'D: MWOLFE		2018/03/23	
APPR: SMILLER		2018/03/23	
INITIAL REVISION:			
DRWN: JLONG		2007/02/05	
APPR: RNELSON		2007/02/06	
THIRD ANGLE PROJECTION		DRAWING SERIES	
C-SIZE		76091	
DOCUMENT NUMBER		DOC TYPE DOC PART REVISION	
SD-76091-001		PSD 001 G	
MATERIAL NUMBER		CUSTOMER	
SEE TABLE		GENERAL MARKET	
SHEET NUMBER		3 OF 4	



BEZEL CUT-OUT CENTER SPACING DETAIL
BEZEL THICKNESS: 0.8 - 2.6



SECTION Z-Z



CONNECTOR HOUSING
SCALE 8:1
KEEPOUT ZONE DETAIL - LIGHTPIPE LOCATION AND OTHER ZONES
SCALE 8:1

THE HATCHED AREA IN THIS VIEW INDICATES ZONES THAT ARE OCCUPIED BY THE PLASTIC HOUSING THAT SEATS AGAINST THE PCB AND BY THE VERTICAL METAL CAGE WALL THAT STOPS JUST SHORT OF THE PCB

THIS DRAWING CONTAINS INFORMATION THAT IS PROPRIETARY TO MOLEX ELECTRONIC TECHNOLOGIES, LLC AND SHOULD NOT BE USED WITHOUT WRITTEN PERMISSION									
SYMBOLS		DIMENSION UNITS		SCALE		CURRENT REV DESC: UPDATE FLANGE			
▽ = 0	mm	3:1		<p>molex</p> <p>STACKED SFP+ 2X2 ASSY WITH ELASTOMERIC GASKET AND LIGHTPIPES</p> <p>PRODUCT CUSTOMER DRAWING</p> <p>DOCUMENT NUMBER: SD-76091-001 DOC TYPE: PSD DOC PART: 001 REVISION: G</p> <p>MATERIAL NUMBER: SEE TABLE CUSTOMER: GENERAL MARKET SHEET NUMBER: 4 OF 4</p>					
▽ = 0	GENERAL TOLERANCES (UNLESS SPECIFIED)								
▽ = 0	ANGULAR TOL ± 5.0°								
▽ = 0	4 PLACES ±								
▽ = 0	3 PLACES ±								
▽ = 0	2 PLACES ± 0.13								
▽ = 0	1 PLACE ± 0.25			INITIAL REVISION:		2007/02/05			
▽ = 0	0 PLACES ±			DRWN: JLONG		2007/02/06			
▽ = 0	DRAFT WHERE APPLICABLE MUST REMAIN WITHIN DIMENSIONS			THIRD ANGLE PROJECTION		DRAWING		SERIES	
				C-SIZE		76091			