

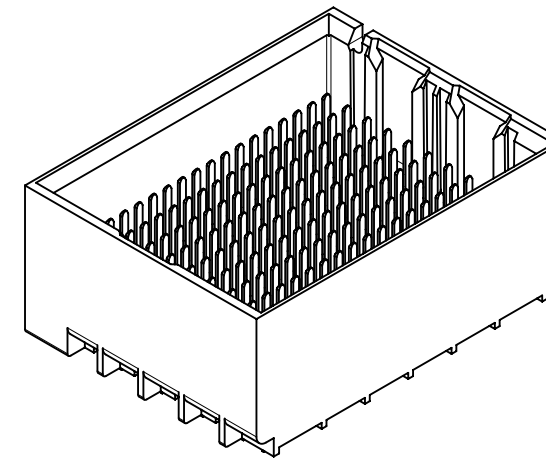
- NOTES:**
- MATERIALS: HOUSING - LIQUID CRYSTAL POLYMER (LCP) GLASS-FILLED, UL94V-0
TERMINALS - HIGH PERFORMANCE COPPER ALLOY
 - FINISH: 30μ MIN GOLD IN CONTACT AREA.
SELECTIVE TIN ON PCB TAILS.
NICKEL OVERALL.
 - REFER TO MOLEX PRODUCT SPECIFICATION PS-76060-999 FOR PERFORMANCE SPECIFICATIONS AND ADDITIONAL PCB INFORMATION.
 - THIS PART CONFORMS TO CLASS B REQUIREMENTS OF MOLEX COSMETIC SPEC PS-45499-002.
 - PARTS PACKAGED PER PK-70873-7703.
 - SEE SHEETS 2 & 3 FOR PART NUMBERS AND BOARD RELATIONSHIPS.
 - MATES WITH IMPACT DC SERIES NO. 76150.
 - REFER TO MOLEX PCB ROUTING GUIDE AS-76060-990 FOR ANTIPAD AND ROUTING RECOMMENDATIONS.
 - "THESE DIMENSIONS REPRESENT THE AREA NEEDED TO ACCOMMODATE CONNECTOR INSERTION AND REPAIR ON THE PC BOARD. THIS IS REFERRED TO AS THE "CONNECTOR KEEP OUT ZONE" AND DOES NOT REPRESENT THE ACTUAL PERIMETER OF THE CONNECTOR. WHEN LAYING OUT A PC BOARD FOR CONNECTORS STACK TOGETHER, USE A 1.9mm PROGRESSION."

THIS DRAWING CONTAINS INFORMATION THAT IS PROPRIETARY TO MOLEX ELECTRONIC TECHNOLOGIES, LLC AND SHOULD NOT BE USED WITHOUT WRITTEN PERMISSION

MIGRATED TO NX EC NO: 167486 DRWN: NVELUSAMY CHKD: CD REV: APPR: GGA	2017/10/30	2017/10/31	2017/11/02	GENERAL TOLERANCES (UNLESS SPECIFIED)		DIMENSION UNITS	SCALE			
				ANGULAR TOL ± 0.5 °		MM	4:1			
	4 PLACES	±			DRWN BY	DATE				
	3 PLACES	±			MSANDBERG	2007/12/26				
			2 PLACES	± 0.13	CHKD BY	DATE	IMPACT 6 PAIR HEADER UNGUIDED ASSEMBLY SALES DRAWING			
			1 PLACE	± 0.25	JLAURX	2007/12/26				
			0 PLACES	±	APPR BY	DATE	PRODUCT CUSTOMER DRAWING			
			DRAFT WHERE APPLICABLE MUST REMAIN WITHIN DIMENSIONS		JLAURX	2010/02/22				
DRAWING SIZE		THIRD ANGLE PROJECTION		SERIES		MATERIAL NUMBER		CUSTOMER		
C				76145		SEE TABLE		GENERAL MARKET		
				DOCUMENT NUMBER		DOC TYPE		DOC PART		SHEET NUMBER
				SD-76145-001		PSD		001		1 OF 3

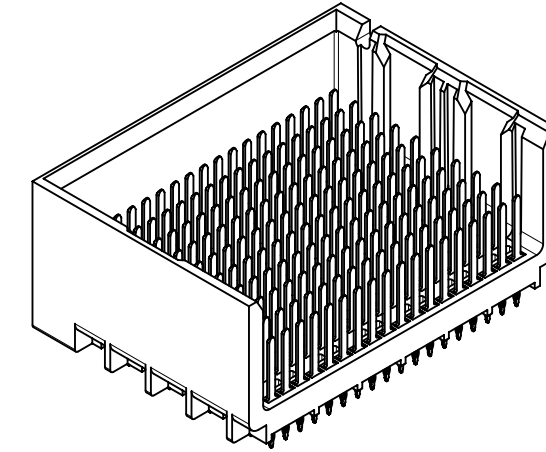
PART NUMBER CHART

MATERIAL NUMBER	# OF COLUMNS	# OF DIFF PAIR	DIM 'A'	DIM 'B'	DUAL END WALL OPTION
76145-*12*	10	60	21.7	17.10	
76145-*72*	14	84	29.3	24.70	
76145-*62*	16	96	33.1	28.50	



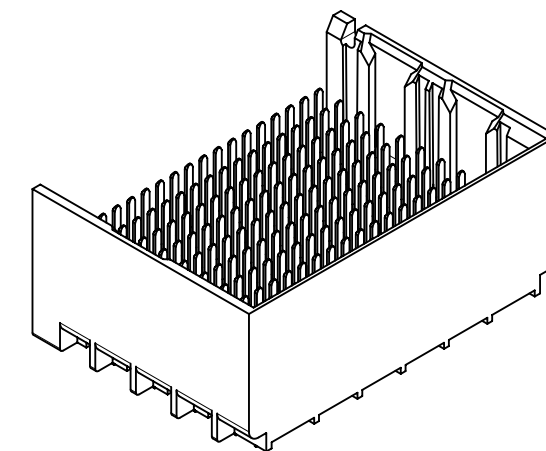
DUAL END
WALL OPTION

MATERIAL NUMBER	# OF COLUMNS	# OF DIFF PAIR	DIM 'A'	DIM 'B'	LEFT END WALL OPTION
76145-*11*	10	60	20.3	17.10	
76145-*71*	14	84	27.9	24.70	
76145-*61*	16	96	31.7	28.50	



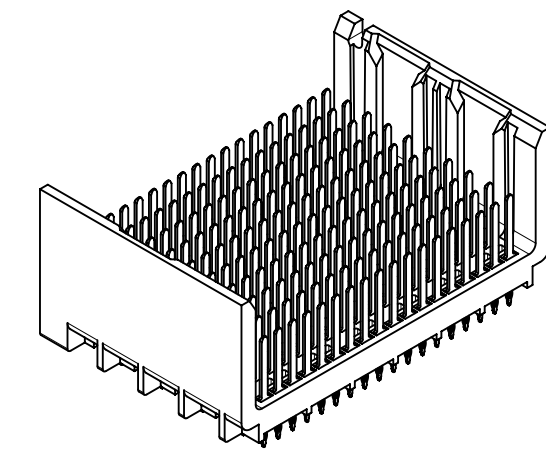
LEFT END
WALL OPTION

MATERIAL NUMBER	# OF COLUMNS	# OF DIFF PAIR	DIM 'A'	DIM 'B'	RIGHT END WALL OPTION
76145-*13*	10	60	20.3	17.10	
76145-*73*	14	84	27.9	24.70	
76145-*63*	16	96	31.7	28.50	



RIGHT END
WALL OPTION

MATERIAL NUMBER	# OF COLUMNS	# OF DIFF PAIR	DIM 'A'	DIM 'B'	OPEN WALL OPTION
76145-*10*	10	60	18.9	17.10	
76145-*70*	14	84	26.5	24.70	
76145-*60*	16	96	30.3	28.50	



OPEN
WALL OPTION

PART NUMBER LOGIC

76145 - *****

MODULE TYPE
1 = UNGUIDED, TIN

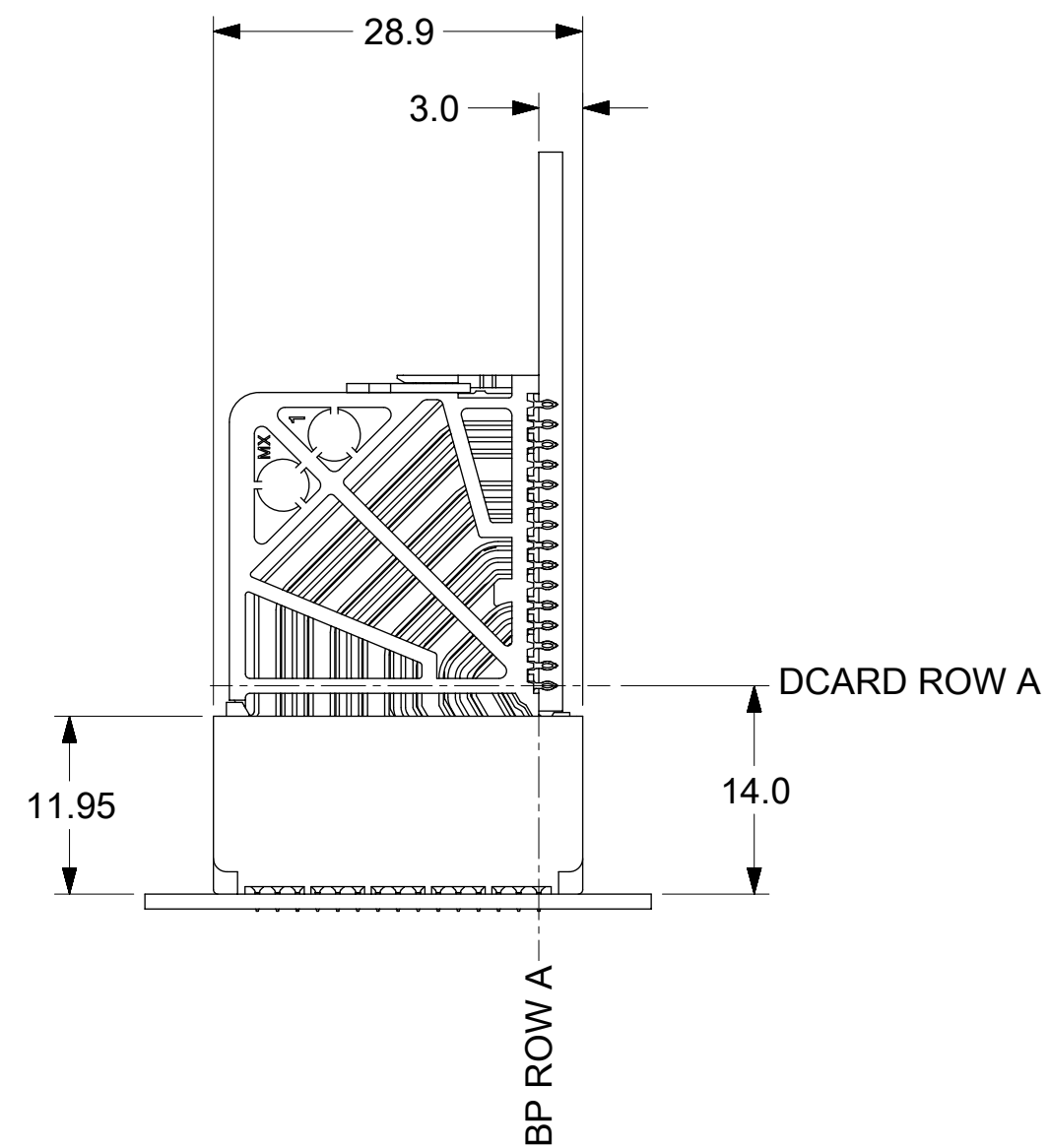
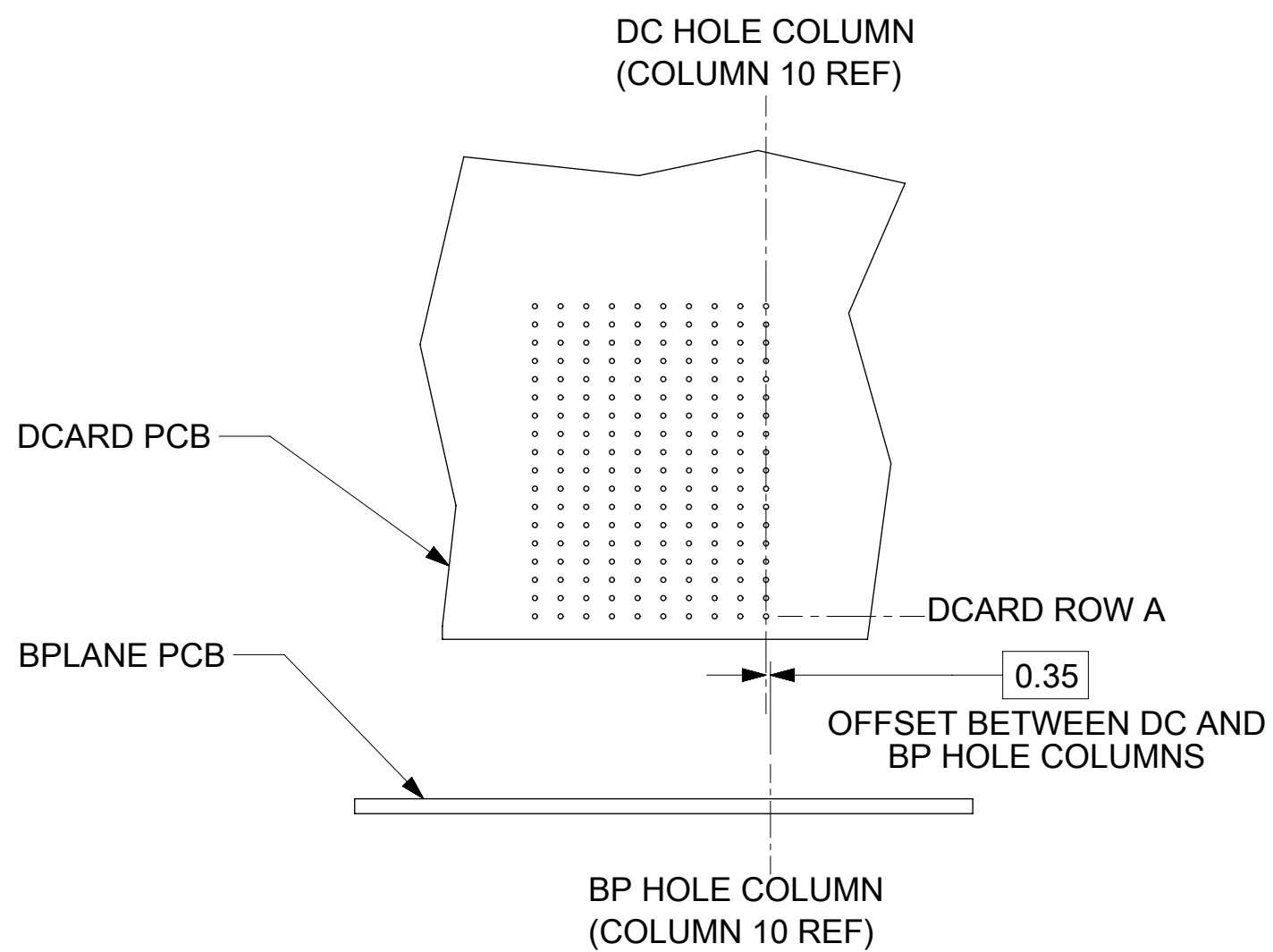
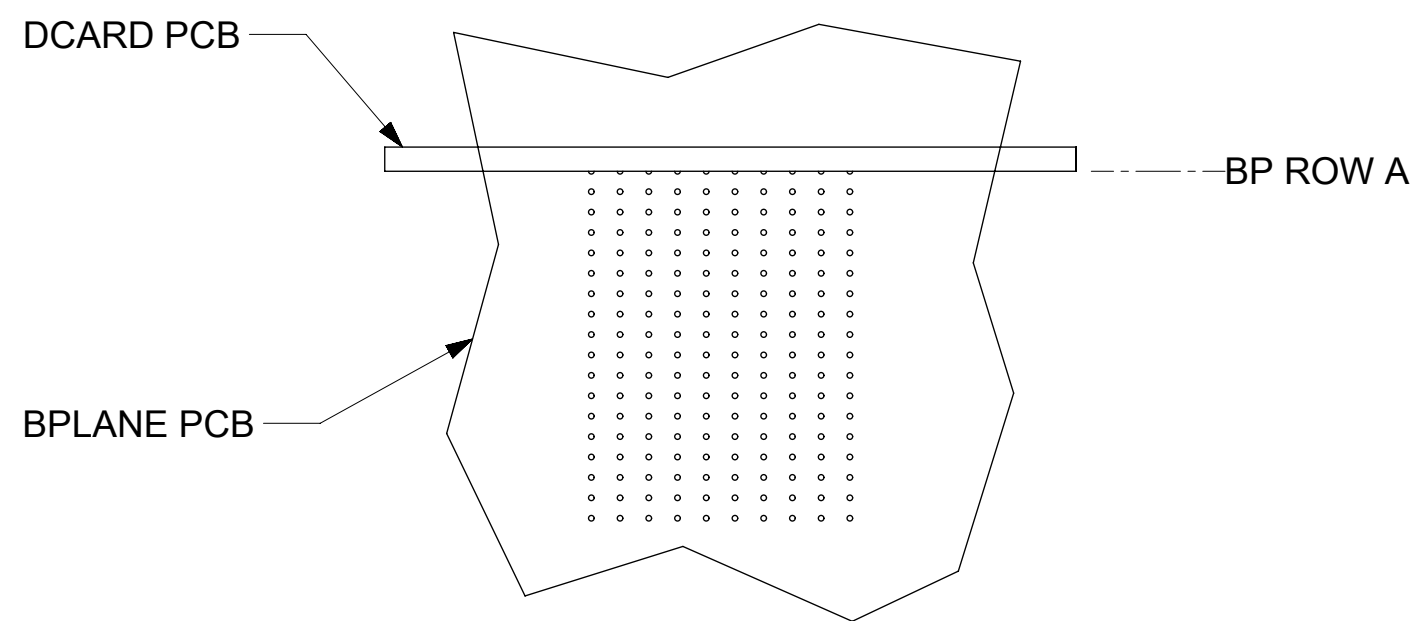
OF COLUMNS
1 = 10 COLUMN
6 = 16 COLUMN
7 = 14 COLUMN

END WALL OPTIONS
0 = OPEN ENDS
1 = LEFT END WALL
2 = DUAL END WALL
3 = RIGHT END WALL

PIN LENGTH (P)
3 = 4.50 (SHORT COMPLIANT, 0.46±0.05 PTH)
4 = 4.90 (SHORT COMPLIANT, 0.46±0.05 PTH)
5 = 5.50 (SHORT COMPLIANT, 0.46±0.05 PTH)
6 = 4.50 (MICRO COMPLIANT, 0.39±0.05 PTH)
7 = 4.90 (MICRO COMPLIANT, 0.39±0.05 PTH)
8 = 5.50 (MICRO COMPLIANT, 0.39±0.05 PTH)

THIS DRAWING CONTAINS INFORMATION THAT IS PROPRIETARY TO MOLEX ELECTRONIC TECHNOLOGIES, LLC AND SHOULD NOT BE USED WITHOUT WRITTEN PERMISSION											
MIGRATED TO NX EC NO: 167466 DRWN: NVELUSAMY CHKD: CD REV: APPR: GGA	2017/10/30	2017/10/31	2017/11/02	GENERAL TOLERANCES (UNLESS SPECIFIED)		DIMENSION UNITS	SCALE				
	ANGULAR TOL ± 0.5 °		MM	2:1							
	4 PLACES ±	MSANDBERG	DATE	IMPACT 6 PAIR HEADER							
	3 PLACES ±	JLAURX	2007/12/26	UNGUIDED ASSEMBLY SALES DRAWING							
	2 PLACES ± 0.13	JLAURX	2007/12/26	PRODUCT CUSTOMER DRAWING							
	1 PLACE ± 0.25	JLAURX	2010/02/22	SERIES MATERIAL NUMBER CUSTOMER							
0 PLACES ±	DRAWING SIZE THIRD ANGLE PROJECTION		76145	SEE TABLE	GENERAL MARKET						
DRAFT WHERE APPLICABLE MUST REMAIN WITHIN DIMENSIONS		C	DOCUMENT NUMBER		PSD	DOC PART	SHEET NUMBER				
			SD-76145-001		001	2 OF 3					

IMPACT 6 PAIR BOARD RELATIONSHIPS



THIS DRAWING CONTAINS INFORMATION THAT IS PROPRIETARY TO MOLEX ELECTRONIC TECHNOLOGIES, LLC AND SHOULD NOT BE USED WITHOUT WRITTEN PERMISSION

MIGRATED TO NX EC NO: 167466 DRWN: NVELUSAMY CHKD: CD REV / APPR: GGA	2017/10/30	2017/10/31	2017/11/02	GENERAL TOLERANCES (UNLESS SPECIFIED)	DIMENSION UNITS	SCALE			
					MM	2:1			
					ANGULAR TOL ± 0.5 °	DRWN BY		DATE	
					4 PLACES ±	MSANDBERG		2007/12/26	
					3 PLACES ±	CHKD BY		DATE	
			2 PLACES ± 0.13	JLAURX	2007/12/26				
			1 PLACE ± 0.25	APPR BY	DATE				
			0 PLACES ±	JLAURX	2010/02/22				
DRAFT WHERE APPLICABLE MUST REMAIN WITHIN DIMENSIONS				DRAWING SIZE	THIRD ANGLE PROJECTION	SERIES	MATERIAL NUMBER	CUSTOMER	
				C		76145	SEE TABLE	GENERAL MARKET	
						DOCUMENT NUMBER	DOC TYPE	DOC PART	SHEET NUMBER
						SD-76145-001	PSD	001	3 OF 3