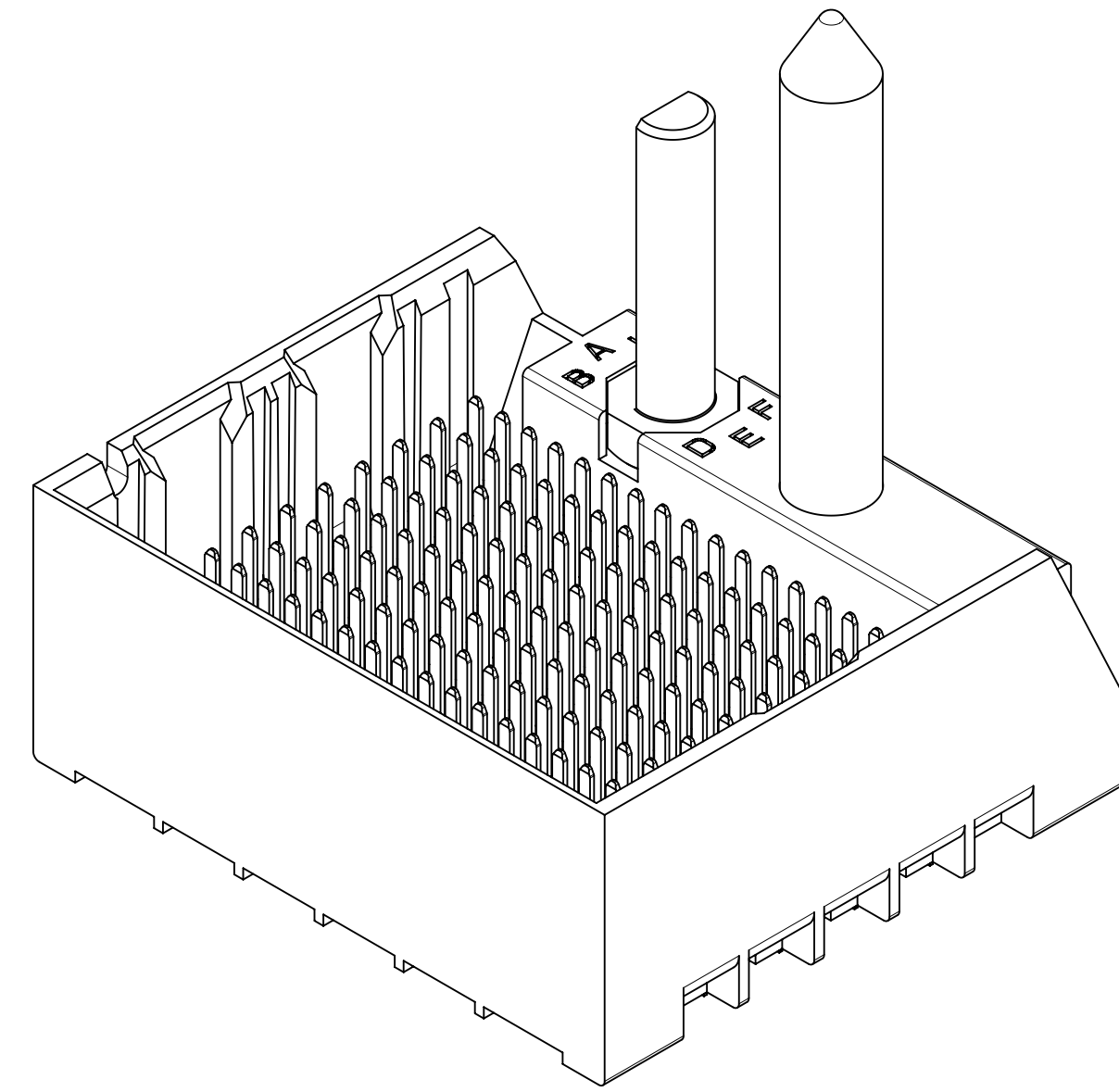


- NOTES:**
1. MATERIALS: HOUSING - LIQUID CRYSTAL POLYMER (LCP)
GLASS-FILLED, UL94V-0
TERMINALS - HIGH PERFORMANCE COPPER ALLOY
 2. FINISH: 30µ MIN GOLD IN CONTACT AREA.
SELECTIVE TIN ON PCB TAILS.
NICKEL OVERALL.
 3. REFER TO MOLEX PRODUCT SPECIFICATION PS-76060-999
FOR PERFORMANCE SPECIFICATIONS AND ADDITIONAL PCB INFORMATION.
 4. THIS PART CONFORMS TO CLASS B REQUIREMENTS OF
MOLEX COSMETIC SPEC PS-45499-002.
 5. PACKAGE PER: PK-70873-760.
 6. SEE SHEETS 2 & 3 FOR PART NUMBERS AND BOARD RELATIONSHIPS.
 7. FOR GROUNDED GUIDE PINS USE DIA. 3.56 +/-0.08 (PTH)
DIA. 3.66 (DRILL) AND DIA 6.5 (PAD).
 8. MATES WITH IMPACT DC SERIES NO. 76150.
 9. KEEP OUT ZONE FOR BP HOUSING LENGTH INCLUDES AN ADDITIONAL 1.0MM
TO ACCOMMODATE FOR SPACE REQUIRED BY DC FRONT HOUSING.
 10. REFER TO MOLEX PCB ROUTING GUIDE AS-76060-990 FOR ANTIPAD AND ROUTING RECOMMENDATIONS.
 11. CONNECTORS SUPPLIED WITH A 2-56 UNC-2A SCREW.
 12. "THESE DIMENSIONS REPRESENT THE AREA NEEDED TO ACCOMMODATE CONNECTOR INSERTION AND
REPAIR ON THE PC BOARD. THIS IS REFERRED TO AS THE "CONNECTOR KEEP OUT ZONE" AND
DOES NOT REPRESENT THE ACTUAL PERIMETER OF THE CONNECTOR. WHEN LAYING OUT A PC BOARD
FOR CONNECTORS STACKED TOGETHER, USE A 1.9mm PROGRESSION."

THIS DRAWING CONTAINS INFORMATION THAT IS PROPRIETARY TO MOLEX ELECTRONIC TECHNOLOGIES, LLC AND SHOULD NOT BE USED WITHOUT WRITTEN PERMISSION												
MIGRATED TO NX EC NO: 167466 DRWN: NVELUSAMY CHKD: CD REV APPR: GGA	2017/10/30	GENERAL TOLERANCES (UNLESS SPECIFIED)		DIMENSION UNITS	SCALE							
	2017/10/31	ANGULAR TOL ± 0.5 °		MM	4:1							
	2017/11/02	4 PLACES ±		DRWN BY	DATE							
	3 PLACES ±		MSANDBERG		2007/12/26		IMPACT 6 PAIR HEADER RIGHT GUIDED ASSEMBLY SALES DRAWING					
	2 PLACES ± 0.13		CHKD BY		DATE							
	1 PLACE ± 0.25		JLAURX		2007/12/26							
0 PLACES ±		APPR BY		DATE		PRODUCT CUSTOMER DRAWING						
DRAFT WHERE APPLICABLE MUST REMAIN WITHIN DIMENSIONS		JLAURX		2010/02/22								
D		DRAWING SIZE		THIRD ANGLE PROJECTION								SERIES
G3		76145		SEE TABLE		GENERAL MARKET			DOCUMENT NUMBER			
		SD-76145-003		PSD		001		1 OF 3				

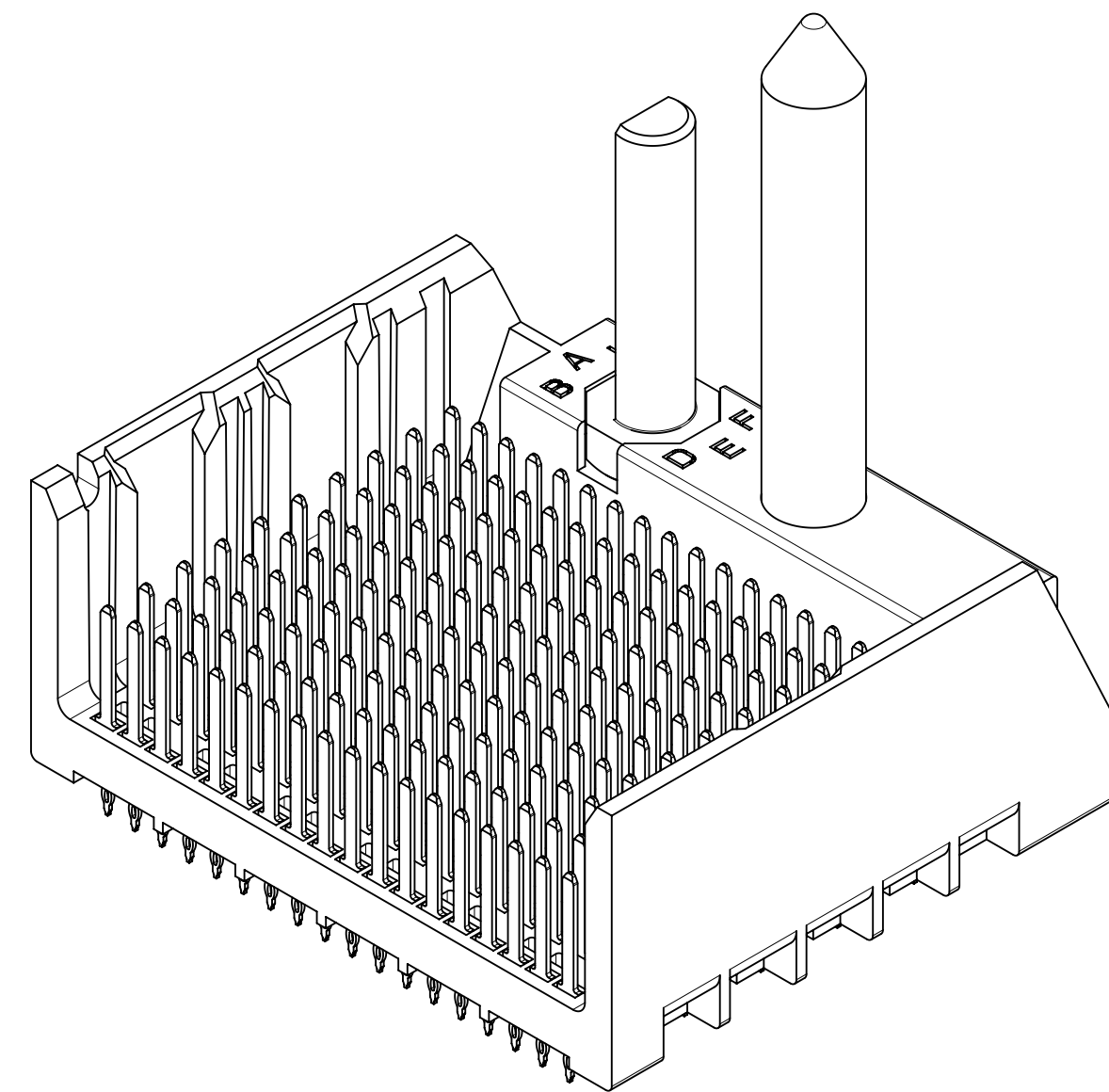
PART NUMBER TABLE

MATERIAL NUMBER	# OF COLUMNS	# OF DIFF PAIR	DIM 'A'	DIM 'B'	GUIDE RIGHT END WALL OPTION
76145-1**	10	60	26.9	17.10	
76145-7**	14	84	34.5	24.70	
76145-6**	16	96	38.3	28.50	



GUIDE RIGHT
END WALL OPTION

MATERIAL NUMBER	# OF COLUMNS	# OF DIFF PAIR	DIM 'A'	DIM 'B'	GUIDE RIGHT OPEN WALL OPTION
76145-1**	10	60	25.5	17.10	
76145-7**	14	84	33.1	24.70	
76145-6**	16	96	36.9	28.50	



GUIDE RIGHT
OPEN WALL OPTION

PART NUMBER LOGIC

76145 - ****

MODULE TYPE

5 = GUIDE RIGHT, TIN

9 = GUIDE RIGHT END WALL, TIN

OF COLUMNS

1 = 10 COL

6 = 16 COL

7 = 14 COL

PIN LENGTH (P)

3 = 4.50 (SHORT COMPLIANT, 0.46±0.05 PTH)

4 = 4.90 (SHORT COMPLIANT, 0.46±0.05 PTH)

5 = 5.50 (SHORT COMPLIANT, 0.46±0.05 PTH)

6 = 4.50 (MICRO COMPLIANT, 0.39±0.05 PTH)

7 = 4.90 (MICRO COMPLIANT, 0.39±0.05 PTH)

8 = 5.50 (MICRO COMPLIANT, 0.39±0.05 PTH)

KEY ORIENTATION

0 = NO KEY

1 = A

2 = B

3 = C

4 = D

5 = E

6 = F

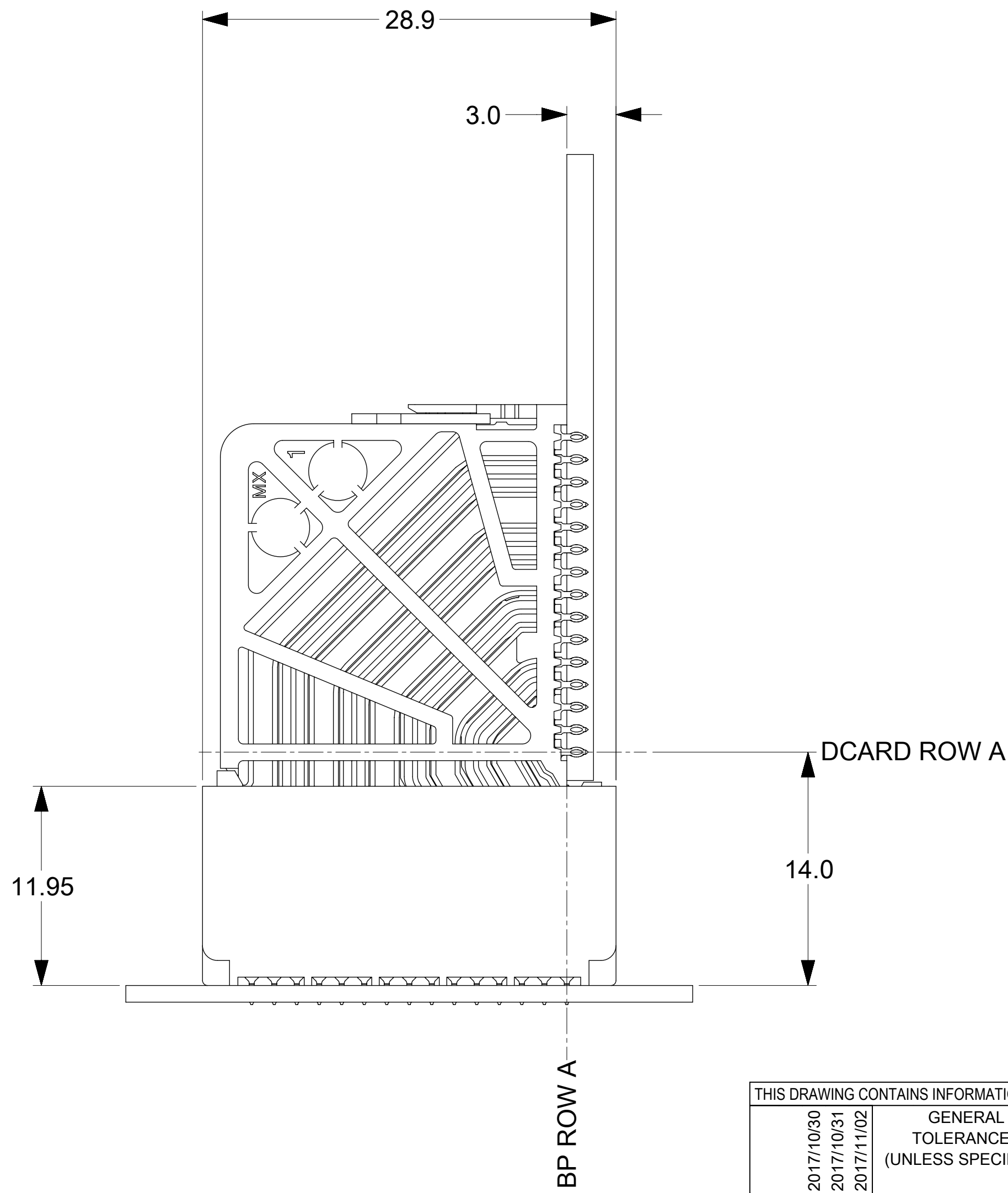
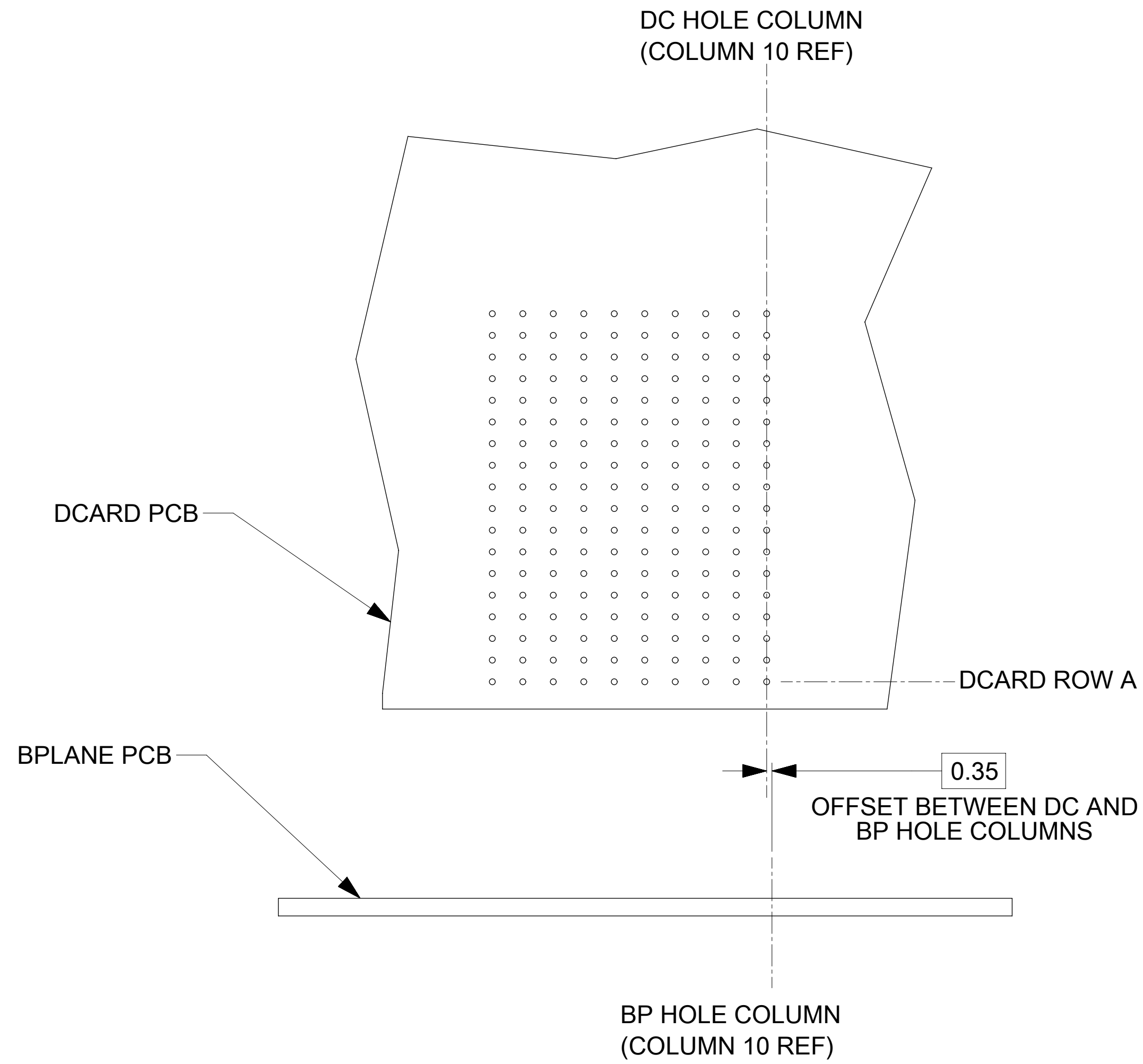
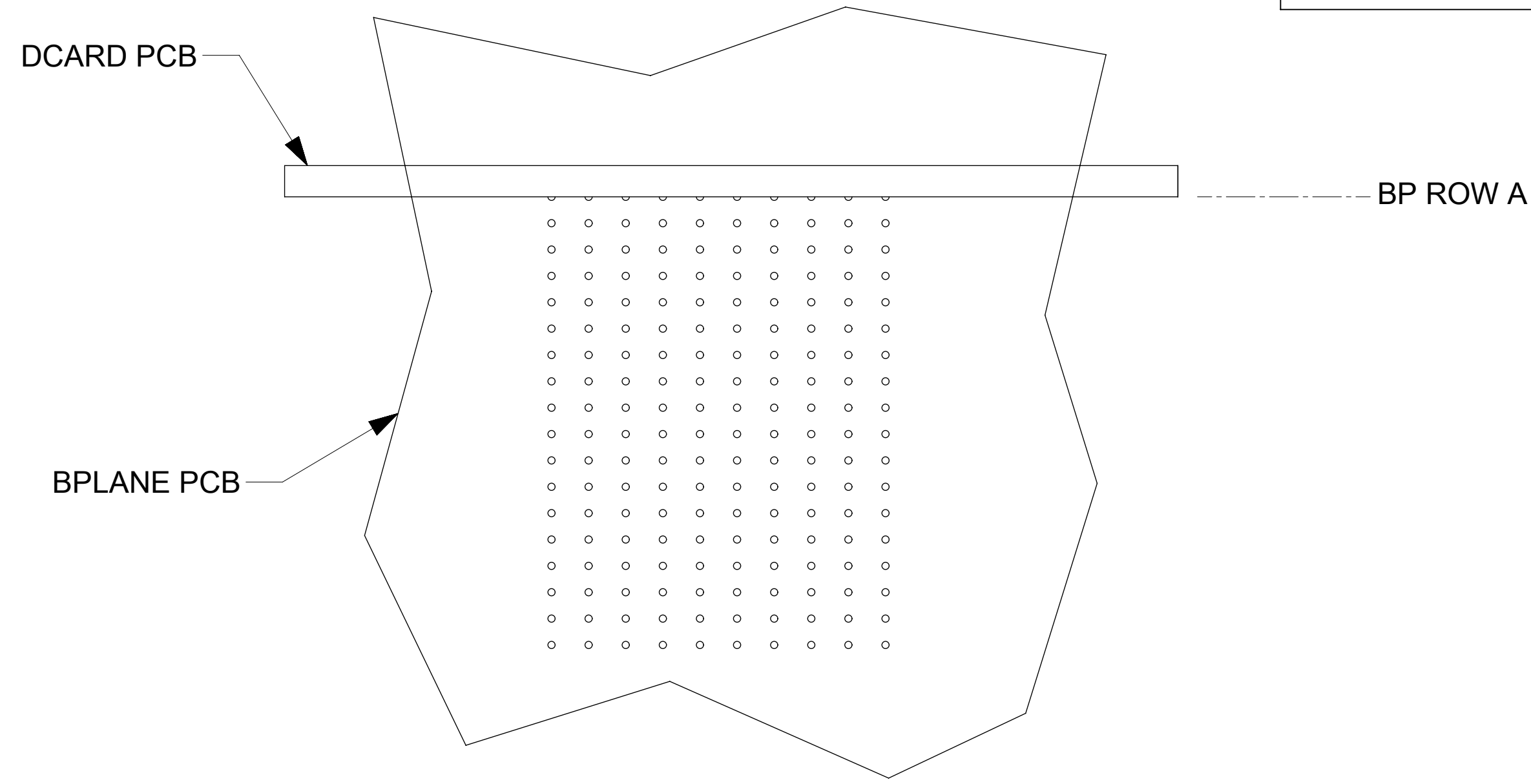
7 = G

8 = H

THIS DRAWING CONTAINS INFORMATION THAT IS PROPRIETARY TO MOLEX ELECTRONIC TECHNOLOGIES, LLC AND SHOULD NOT BE USED WITHOUT WRITTEN PERMISSION

MIGRATED TO NX EC NO: 167466 DRWN: NVELUSAMY CHKD: CD REV APPR: GGA	2017/10/30	GENERAL TOLERANCES (UNLESS SPECIFIED)	DIMENSION UNITS	SCALE	
	2017/10/31	ANGULAR TOL ± 0.5 °	MM	4:1	
	2017/11/02	4 PLACES ±	DRWN BY	DATE	
		3 PLACES ±	MSANDBERG	2007/12/26	
		2 PLACES ± 0.13	CHKD BY	DATE	
		1 PLACE ± 0.25	JLAURX	2007/12/26	
	0 PLACES ±	APPR BY	DATE	PRODUCT CUSTOMER DRAWING	
	DRAFT WHERE APPLICABLE MUST REMAIN WITHIN DIMENSIONS	JLAURX	2010/02/22	SERIES MATERIAL NUMBER CUSTOMER	
			DRAWING SIZE	THIRD ANGLE PROJECTION	76145 SEE TABLE GENERAL MARKET
			D		DOCUMENT NUMBER DOC TYPE DOC PART SHEET NUMBER
					SD-76145-003 PSD 001 2 OF 3

IMPACT 6 PAIR BOARD RELATIONSHIPS



THIS DRAWING CONTAINS INFORMATION THAT IS PROPRIETARY TO MOLEX ELECTRONIC TECHNOLOGIES, LLC AND SHOULD NOT BE USED WITHOUT WRITTEN PERMISSION

MIGRATED TO NX EC NO: 167466 DRWN: NVELUSAMY CHKD: CD REV/ APPR: GGA	2017/10/30	GENERAL TOLERANCES (UNLESS SPECIFIED)	DIMENSION UNITS	SCALE	molex IMPACT 6 PAIR HEADER RIGHT GUIDED ASSEMBLY SALES DRAWING					
	2017/10/31	ANGULAR TOL ± 0.5 °	MM	4:1						
	2017/11/02	4 PLACES ±	DRWN BY	DATE	PRODUCT CUSTOMER DRAWING					
		3 PLACES ±	MSANDBERG	2007/12/26						
		2 PLACES ± 0.13	CHKD BY	DATE	SERIES MATERIAL NUMBER CUSTOMER					
		1 PLACE ± 0.25	JLAURX	2007/12/26						
	0 PLACES ±	APPR BY	DATE	DOCUMENT NUMBER DOC TYPE DOC PART SHEET NUMBER						
	DRAFT WHERE APPLICABLE MUST REMAIN WITHIN DIMENSIONS	JLAURX	2010/02/22							
G3		DRAWING SIZE	THIRD ANGLE PROJECTION	76145	SEE TABLE	GENERAL MARKET	SD-76145-003	PSD	001	3 OF 3