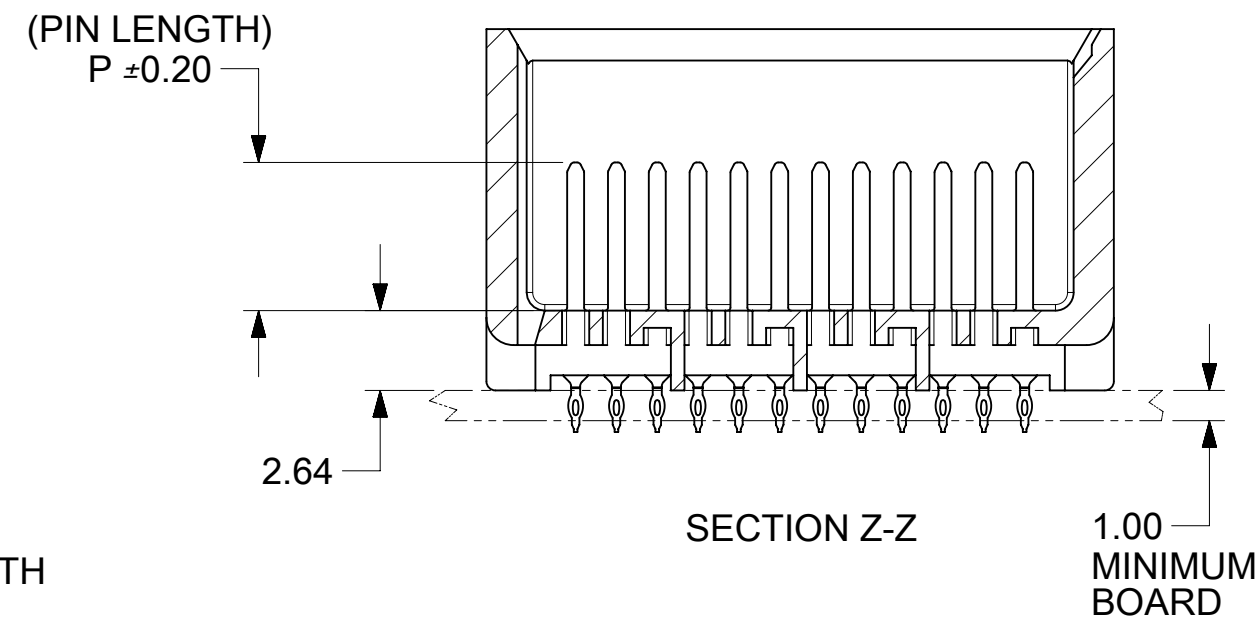
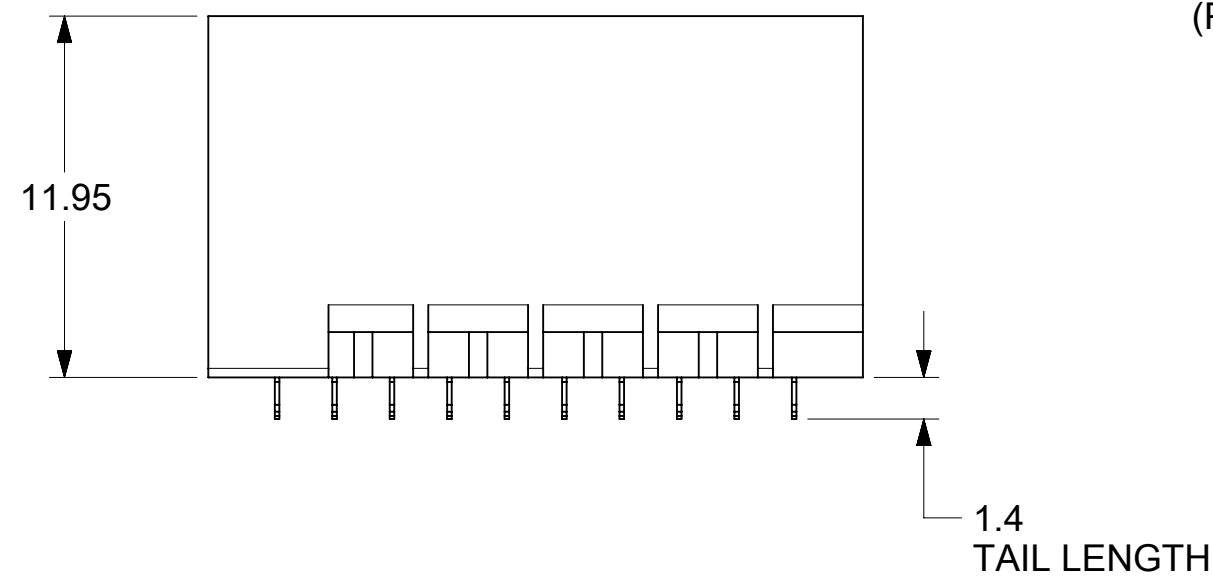
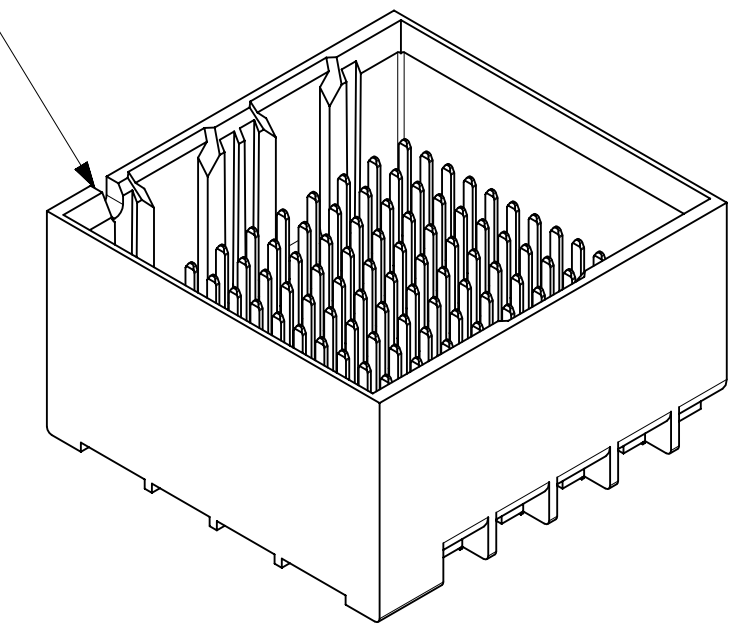


$\varnothing \varnothing 0.10$
 SEE PART NUMBER CHART
 AND
 PART NUMBER LOGIC
 (12 HOLES PER COLUMN)

UNGUIDED
 BACKPLANE HOLE PATTERN
 (CONNECTOR SIDE)
 SEE NOTE 9



NOTCH DESIGNATES
 ROW A



NOTES:

- MATERIALS: HOUSING - LIQUID CRYSTAL POLYMER (LCP)
GLASS-FILLED, UL94V-0
TERMINALS - HIGH PERFORMANCE COPPER ALLOY
- FINISH: 30 μ MIN GOLD IN CONTACT AREA.
SELECTIVE TIN ON PCB TAILS.
NICKEL OVERALL.
- REFER TO MOLEX PRODUCT SPECIFICATION PS-76060-999
FOR PERFORMANCE SPECIFICATIONS AND ADDITIONAL PCB INFORMATION.
- THIS PART CONFORMS TO CLASS B REQUIREMENTS OF MOLEX
COSMETIC SPEC PS-45499-002.
- PARTS PACKAGED PER PK-70873-7701.
- SEE SHEETS 2 & 3 FOR PART NUMBERS AND BOARD RELATIONSHIPS.
- MATES WITH IMPACT DC SERIES NO. 76160.
- REFER TO MOLEX PCB ROUTING GUIDE AS-76060-990 FOR ANTIPAD AND
ROUTING RECOMMENDATIONS.
- "THESE DIMENSIONS REPRESENT THE AREA NEEDED TO ACCOMMODATE CONNECTOR
INSERTION AND REPAIR ON THE PC BOARD. THIS IS REFERRED TO AS THE
"CONNECTOR KEEP OUT ZONE" AND DOES NOT REPRESENT THE ACTUAL PERIMETER
OF THE CONNECTOR. WHEN LAYING OUT A PC BOARD FOR CONNECTORS STACKED
TOGETHER, USE A 1.9mm PROGRESSION."

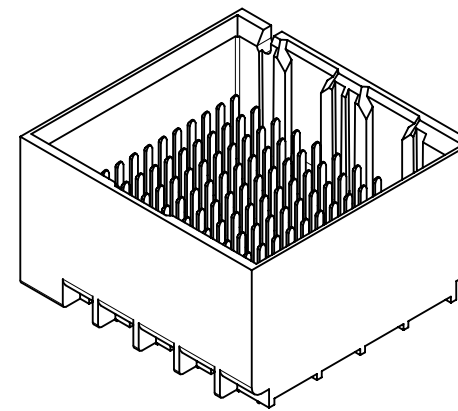
THIS DRAWING CONTAINS INFORMATION THAT IS PROPRIETARY TO MOLEX ELECTRONIC TECHNOLOGIES, LLC AND SHOULD NOT BE USED WITHOUT WRITTEN PERMISSION

DIMENSION UNITS		SCALE		CURRENT REV DESC: AMEND DIMENSION A TYPO IN 76165-'60' OPTION							
mm		NTS		molex IMPACT 4 PAIR HEADER UNGUIDED ASSEMBLY SALES DRAWING PRODUCT CUSTOMER DRAWING							
GENERAL TOLERANCES (UNLESS SPECIFIED)											
ANGULAR TOL $\pm 0.5^\circ$											
4 PLACES		\pm						EC NO: 637200		2020/05/08	
3 PLACES		\pm						DRWN: HLG0H		2020/05/08	
2 PLACES		± 0.13		CHK'D: YLLIM		2020/05/18					
1 PLACE		± 0.25		APPR: DWLEE01		2020/05/18					
0 PLACES		\pm		INITIAL REVISION:							
DRAFT WHERE APPLICABLE MUST REMAIN WITHIN DIMENSIONS		THIRD ANGLE PROJECTION		DRWN: MSANDBER		2007/09/11					
				APPR: JLAURX		2007/09/11					
DRAWING		SERIES		DOCUMENT NUMBER		DOC TYPE		DOC PART		REVISION	
C-SIZE		76155		SD-76155-001		PSD		001		H3	
MATERIAL NUMBER		CUSTOMER		SEE TABLE		GENERAL MARKET		SHEET NUMBER		1 OF 3	

DOCUMENT STATUS	P1	RELEASE DATE	2020/05/18	00:10:50
-----------------	----	--------------	------------	----------

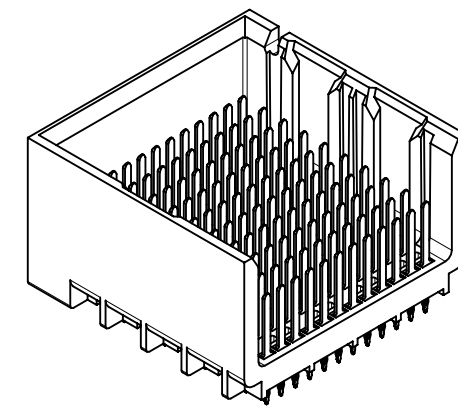
PART NUMBER TABLE

MATERIAL NUMBER	# OF COLUMNS	# OF DIFF PAIR	DIM "A"	DIM "B"	DUAL END WALL OPTION
76155-*32*	6	24	14.1	9.50	
76155-*82*	8	32	17.9	13.30	
76155-*12*	10	40	21.7	17.10	
76155-*62*	16	64	33.1	28.50	



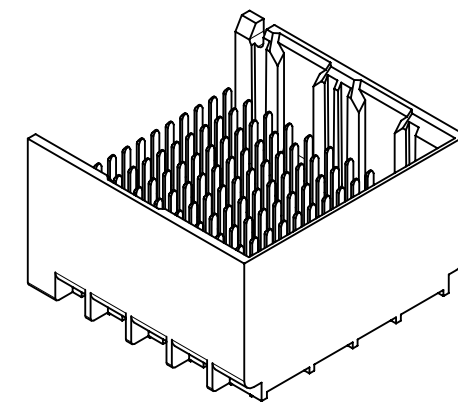
DUAL END
WALL OPTION

MATERIAL NUMBER	# OF COLUMNS	# OF DIFF PAIR	DIM "A"	DIM "B"	LEFT END WALL OPTION
76155-*31*	6	24	12.7	9.50	
76155-*81*	8	32	16.5	13.30	
76155-*11*	10	40	20.3	17.10	
76155-*61*	16	64	31.7	28.50	



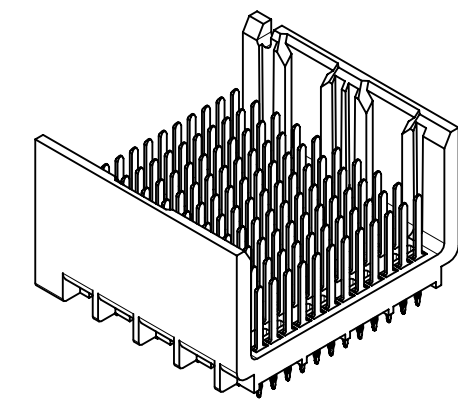
LEFT
END WALL OPTION

MATERIAL NUMBER	# OF COLUMNS	# OF DIFF PAIR	DIM "A"	DIM "B"	RIGHT END WALL OPTION
76155-*33*	6	24	12.7	9.50	
76155-*83*	8	32	16.5	13.30	
76155-*13*	10	40	20.3	17.10	
76155-*63*	16	64	31.7	28.50	



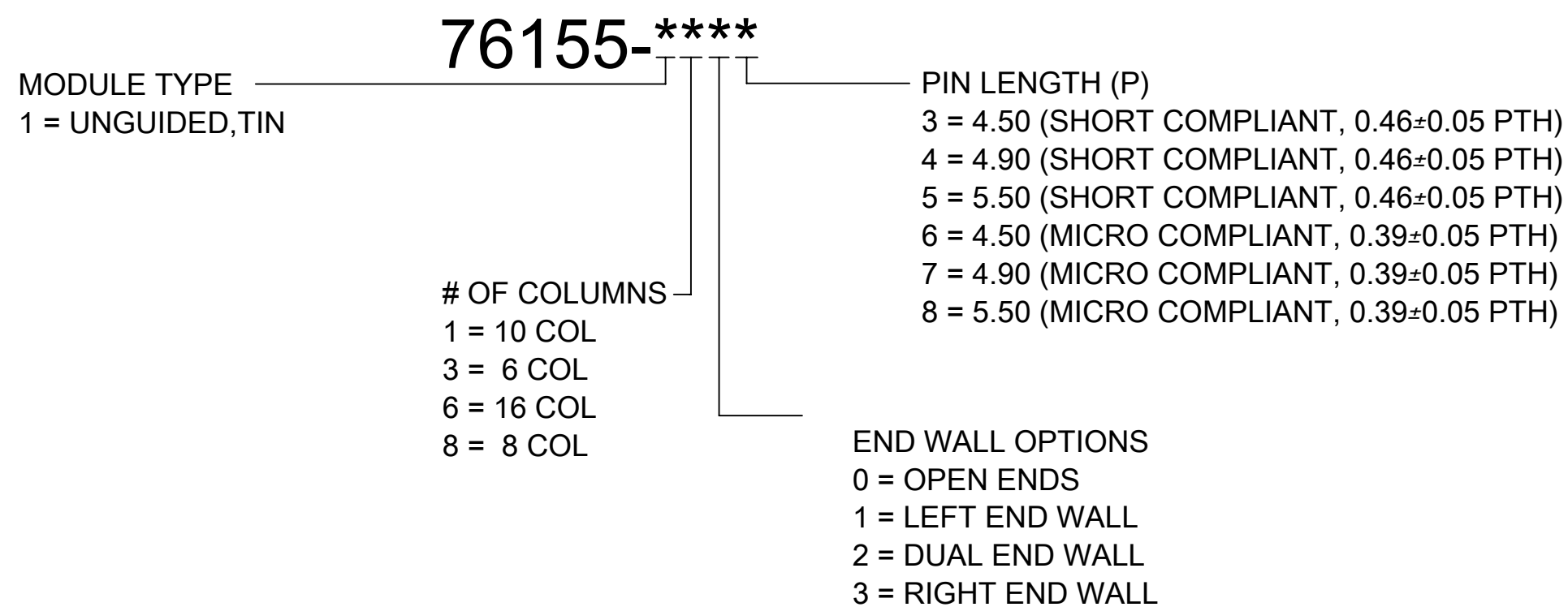
RIGHT
END WALL OPTION

MATERIAL NUMBER	# OF COLUMNS	# OF DIFF PAIR	DIM "A"	DIM "B"	OPEN WALL OPTION
76155-*30*	6	24	11.3	9.50	
76155-*80*	8	32	15.1	13.30	
76155-*10*	10	40	18.9	17.10	
76155-*60*	16	64	30.3	28.50	

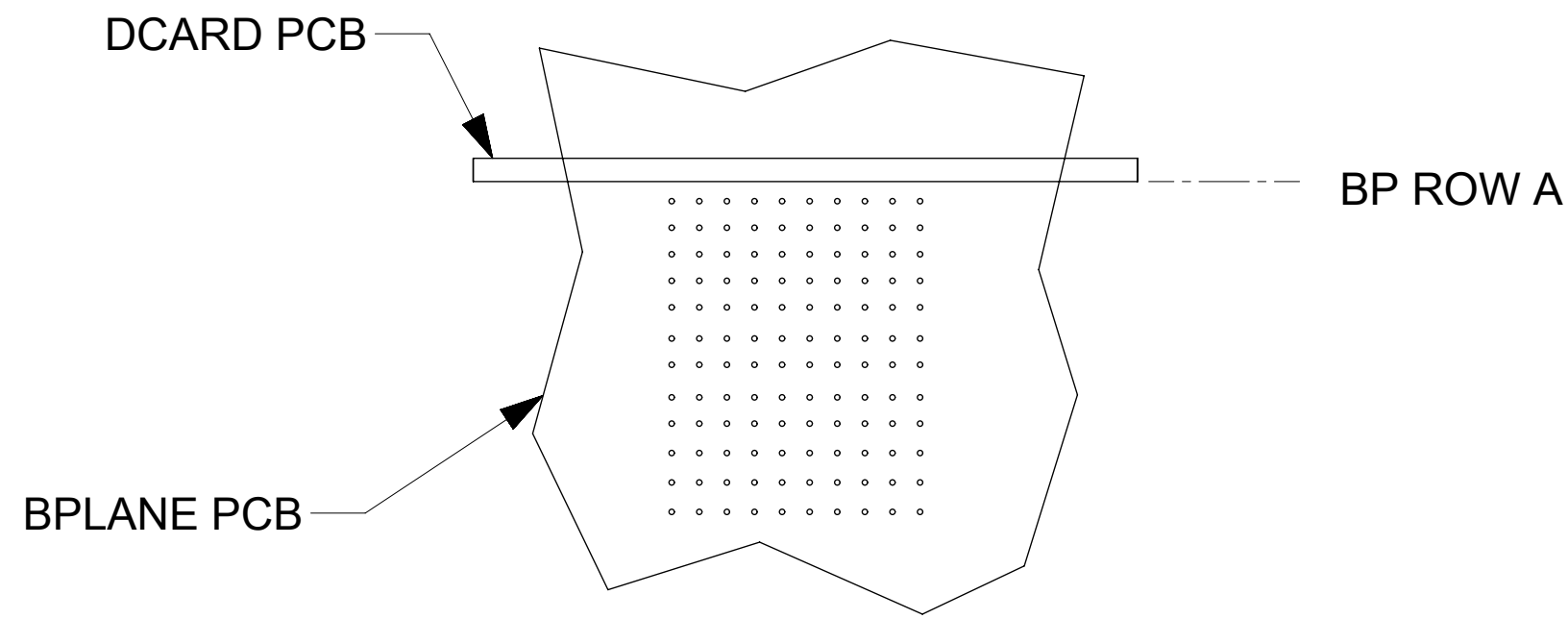


OPEN
WALL OPTION

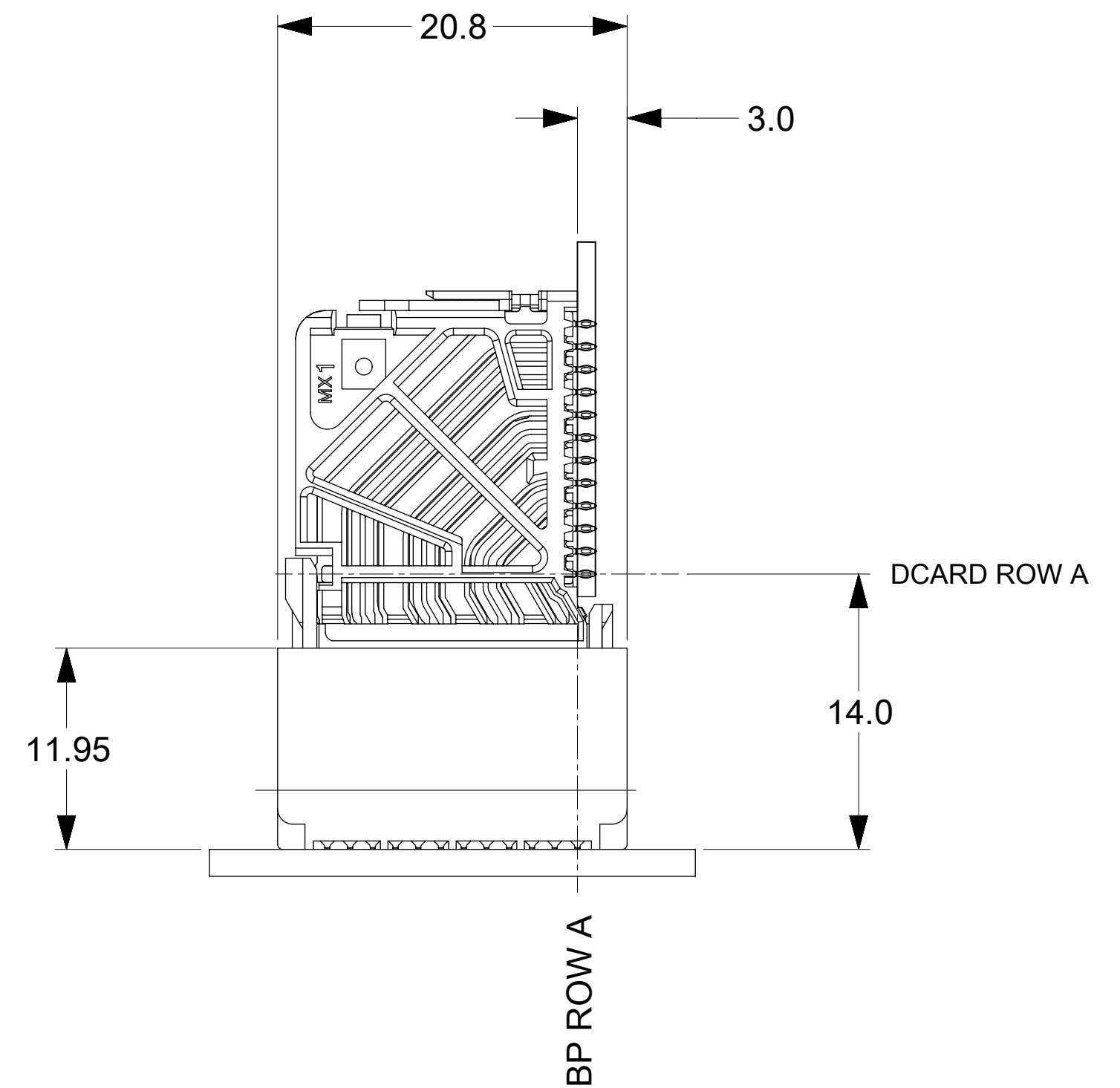
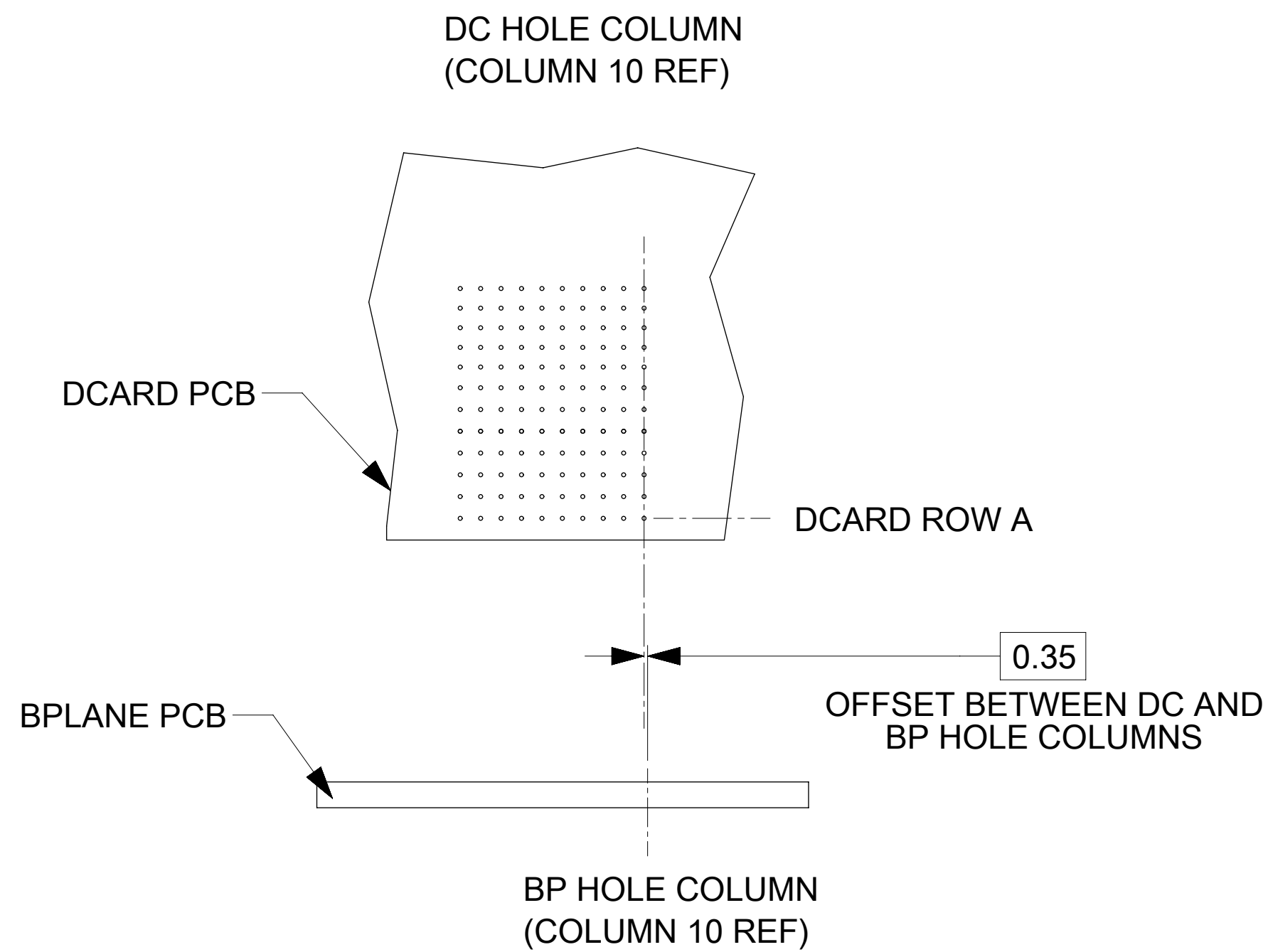
PART NUMBER LOGIC



THIS DRAWING CONTAINS INFORMATION THAT IS PROPRIETARY TO MOLEX ELECTRONIC TECHNOLOGIES, LLC AND SHOULD NOT BE USED WITHOUT WRITTEN PERMISSION									
DIMENSION UNITS		SCALE		CURRENT REV DESC: AMEND DIMENSION A TYPO IN 76165-*60* OPTION					
mm		NTS		<p>IMPACT 4 PAIR HEADER UNGUIDED ASSEMBLY SALES DRAWING</p> <p>PRODUCT CUSTOMER DRAWING</p>					
GENERAL TOLERANCES (UNLESS SPECIFIED)									
ANGULAR TOL ± 0.5°				EC NO: 637200		2020/05/08		DOCUMENT NUMBER	
4 PLACES ±		3 PLACES ±		DRWN: HLG0H		2020/05/08		SD-76155-001	
2 PLACES ± 0.13		1 PLACE ± 0.25		CHK'D: YLLIM		2020/05/18		PSD 001 H3	
0 PLACES ±		APPR: DWLEE01		INITIAL REVISION:		2007/09/11		DOC TYPE DOC PART REVISION	
DRAFT WHERE APPLICABLE MUST REMAIN WITHIN DIMENSIONS		THIRD ANGLE PROJECTION		DRAWING		SERIES		MATERIAL NUMBER CUSTOMER SHEET NUMBER	
		C-SIZE		76155		SEE TABLE		GENERAL MARKET 2 OF 3	



IMPACT 4 PAIR
BOARD RELATIONSHIPS



THIS DRAWING CONTAINS INFORMATION THAT IS PROPRIETARY TO MOLEX ELECTRONIC TECHNOLOGIES, LLC AND SHOULD NOT BE USED WITHOUT WRITTEN PERMISSION									
DIMENSION UNITS		SCALE		CURRENT REV DESC: AMEND DIMENSION A TYPO IN 76165-60° OPTION					
mm		NTS		<p>molex</p> <p>IMPACT 4 PAIR HEADER UNGUIDED ASSEMBLY SALES DRAWING</p> <p>PRODUCT CUSTOMER DRAWING</p> <p>DOCUMENT NUMBER: SD-76155-001 DOC TYPE: PSD DOC PART: 001 REVISION: H3</p> <p>MATERIAL NUMBER: SEE TABLE CUSTOMER: GENERAL MARKET SHEET NUMBER: 3 OF 3</p>					
GENERAL TOLERANCES (UNLESS SPECIFIED)									
ANGULAR TOL ± 0.5°									
4 PLACES ±		EC NO: 637200							
3 PLACES ±		DRWN: HLG0H 2020/05/08							
2 PLACES ± 0.13		CHK'D: YLLIM 2020/05/08							
1 PLACE ± 0.25		APPR: DWLEE01 2020/05/18							
0 PLACES ±		INITIAL REVISION:		2007/09/11		2007/09/11		2007/09/11	
DRAFT WHERE APPLICABLE MUST REMAIN WITHIN DIMENSIONS		THIRD ANGLE PROJECTION		DRAWING		SERIES		MATERIAL NUMBER	
				C-SIZE		76155		SEE TABLE	