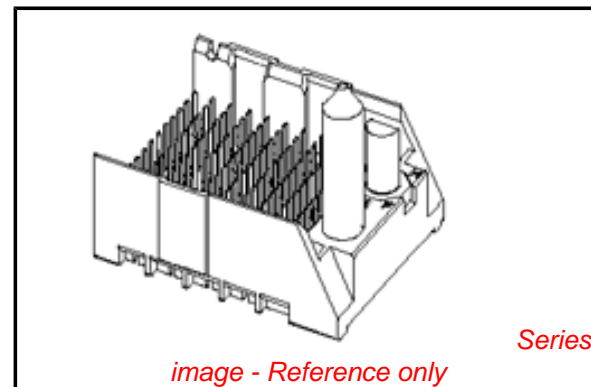


PLEASE CHECK WWW.MOLEX.COM FOR LATEST PART INFORMATION

Part Number: [76155-5605](#)
Status: **Active**
Overview: Impact™ Backplane Connectors and Cable Assemblies
Description: Impact™ 100 Ohm 4 Pair Vertical Backplane Header, 1.90 by 1.35mm Pitch, Right Guided, Open Endwall, 16 Columns, 192 Circuits, Pin Length 5.50mm, Plated Through Hole Dimension 0.46mm, Lead-Free

Documents:

3D Model	Application Specification AS-76060-990 (PDF)
Drawing (PDF)	Application Specification AS-76060-994 (PDF)
Product Specification PS-76060-999 (PDF)	RoHS Certificate of Compliance (PDF)



Agency Certification

UL E29179

General

Product Family	Backplane Connectors
Series	76155
Application	Conventional
Application Tooling Documents	TM-622018799
Component Type	PCB Header
Overview	Impact™ Backplane Connectors and Cable Assemblies
Product Name	Impact™
Style	N/A
UPC	756054932711

Physical

Circuits (Loaded)	192
Circuits (maximum)	192
Color - Resin	Black
Durability (mating cycles max)	200
First Mate / Last Break	No
Flammability	94V-0
Guide to Mating Part	Yes
Keying to Mating Part	None
Material - Metal	High Performance Alloy (HPA)
Material - Plating Mating	Gold
Material - Plating Termination	Tin
Material - Resin	High Temperature Thermoplastic
Net Weight	7.426/g
Number of Columns	16
Number of Pairs	4
Number of Rows	12
Orientation	Vertical
PC Tail Length	1.40mm
PCB Locator	No
PCB Retention	Yes
PCB Thickness - Recommended	1.00mm
Packaging Type	Tray
Pitch - Mating Interface	1.90mm
Pitch - Termination Interface	1.90mm
Plating min - Mating	0.762µm
Polarized to PCB	Yes
Stackable	Yes
Temperature Range - Operating	-55°C to +85°C
Termination Interface: Style	Through Hole - Compliant Pin

EU RoHS

ELV and RoHS Compliant

REACH SVHC

Not Reviewed

Low-Halogen Status

Low-Halogen

China RoHS



Need more information on product environmental compliance?

Email productcompliance@molex.com
 For a multiple part number RoHS Certificate of Compliance, [click here](#)

Please visit the [Contact Us](#) section for any non-product compliance questions.

Search Parts in this Series

[76155Series](#)

Mates With

[76160 Impact™ 100 Ohm Daughtercard](#)

Application Tooling | FAQ

Tooling specifications and manuals are found by selecting the products below. Crimp Height Specifications are then contained in the Application Tooling Specification document.

Global

Description	Product #
Backplane Module	0622018644
Installation Press-In Tool	
Backplane Header	0621009610
Removal Tool for GbX-U™, I-Trac™, Impact™, or TinMan	
Backplane Insertion Tool for Signal Contact	0621005800

Electrical

Current - Maximum per Contact	0.75A
Data Rate	25.0 Gbps
Impedance	100#
Shield Type	N/A
Shielded	No
Voltage - Maximum	30V AC (RMS)/DC

Material Info**Reference - Drawing Numbers**

Application Specification	AS-76060-990, AS-76060-994
Product Specification	PS-76060-999
Sales Drawing	SD-76155-003
Symbol/Footprint Data	SYM-76155-5605

This document was generated on 05/13/2013

PLEASE CHECK WWW.MOLEX.COM FOR LATEST PART INFORMATION