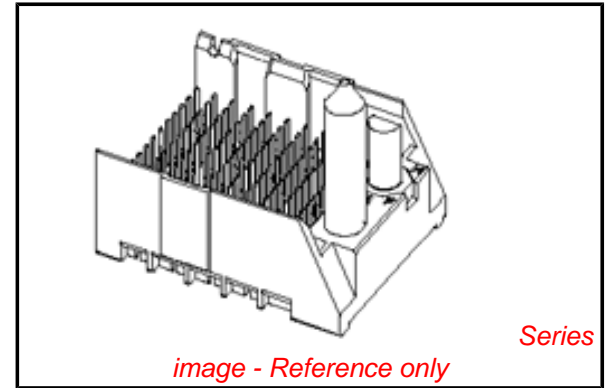


**PLEASE CHECK WWW.MOLEX.COM FOR LATEST PART INFORMATION**

**Part Number:** [0761555607](#)  
**Status:** **Active**  
**Overview:** Impact™ Backplane Connectors  
**Description:** Impact™ 4 Pair Vertical Backplane Header, 1.90 by 1.35mm Pitch, Right Guided, Open Endwall, 16 Columns, 192 Circuits, Pin Length 4.90mm, Plated Through Hole Dimension 0.39mm, Lead-Free

**Documents:**

<a href="#">3D Model</a>	<a href="#">Application Specification AS-76060-990 (PDF)</a>
<a href="#">Drawing (PDF)</a>	<a href="#">Application Specification AS-76060-994 (PDF)</a>
<a href="#">Product Specification PS-76060-999 (PDF)</a>	<a href="#">RoHS Certificate of Compliance (PDF)</a>



**Agency Certification**

UL E29179

**General**

Product Family	Backplane Connectors
Series	<a href="#">76155</a>
Application	Backplane, Midplane
Application Tooling Documents	TM-622018799
Component Type	PCB Header
Overview	<a href="#">Impact™ Backplane Connectors</a>
Product Name	Impact™
Style	N/A

**Physical**

Circuits (Loaded)	192
Circuits (maximum)	192
Color - Resin	Black
Durability (mating cycles max)	200
First Mate / Last Break	No
Flammability	94V-0
Guide to Mating Part	Yes
Keying to Mating Part	None
Material - Metal	High Performance Alloy (HPA)
Material - Plating Mating	Gold
Material - Plating Termination	Tin
Material - Resin	High Temperature Thermoplastic
Number of Columns	16
Number of Pairs	4
Number of Rows	12
Orientation	Vertical
PC Tail Length	1.40mm
PCB Locator	No
PCB Retention	Yes
PCB Thickness - Recommended	1.00mm
Packaging Type	Tray
Pitch - Mating Interface	1.90mm
Pitch - Termination Interface	1.90mm
Plating min - Mating	0.762µm
Polarized to PCB	No
Stackable	No
Surface Mount Compatible (SMC)	Yes
Temperature Range - Operating	-55°C to +85°C
Termination Interface: Style	Through Hole - Compliant Pin

**EU RoHS**

**ELV and RoHS Compliant**  
**REACH SVHC Contains SVHC: No**  
**Low-Halogen Status Not Reviewed**

**China RoHS**



**Need more information on product environmental compliance?**

Email [productcompliance@molex.com](mailto:productcompliance@molex.com)  
 For a multiple part number RoHS Certificate of Compliance, [click here](#)

Please visit the [Contact Us](#) section for any non-product compliance questions.

**Search Parts in this Series**

[76155Series](#)

**Mates With**

[76160 Impact™ Daughtercard](#)

**Application Tooling | FAQ**

*Tooling specifications and manuals are found by selecting the products below. Crimp Height Specifications are then contained in the Application Tooling Specification document.*

**Global**

Description	Product #
Backplane Insertion Tool for Impact™	<a href="#">0621005800</a>
Signal Contact	
Impact™ Backplane Module Installation	<a href="#">0622018644</a>
Press-In Tool	

**Electrical**

Current - Maximum per Contact	0.75A
Data Rate	25.0 Gbps
Shield Type	N/A
Shielded	No
Voltage - Maximum	30V AC (RMS)/DC

**Material Info****Reference - Drawing Numbers**

Application Specification	AS-76060-990, AS-76060-994
Product Specification	PS-76060-999
Sales Drawing	SD-76155-003

This document was generated on 03/01/2012

**PLEASE CHECK [WWW.MOLEX.COM](http://WWW.MOLEX.COM) FOR LATEST PART INFORMATION**