

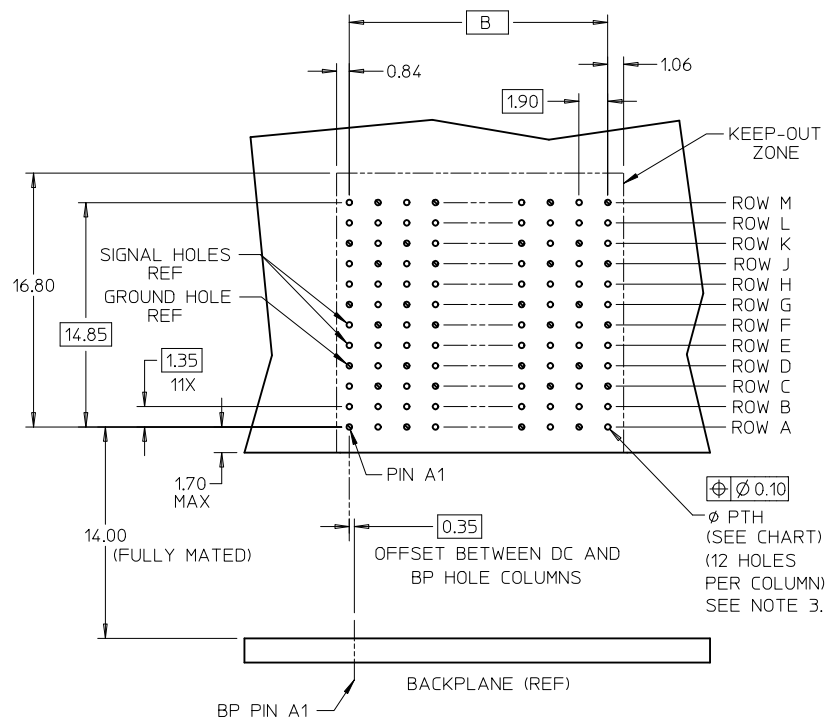
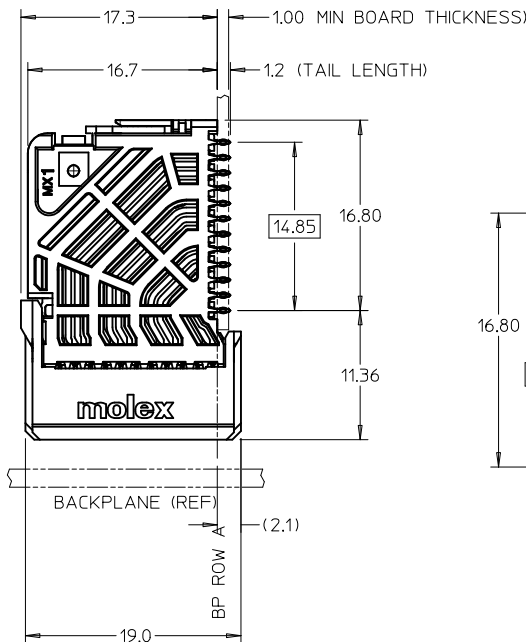
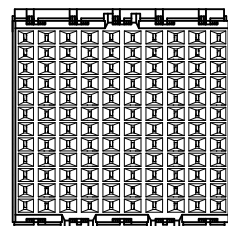
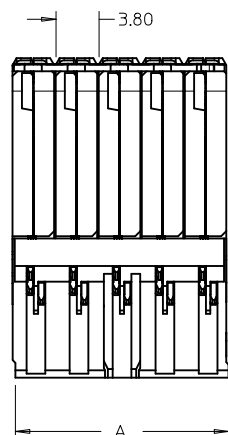
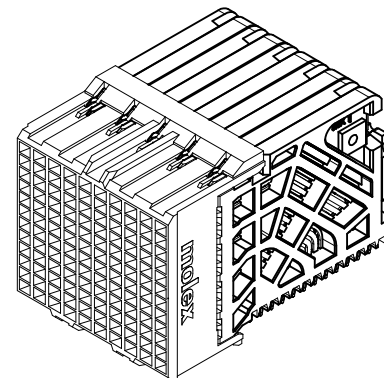
MATERIAL NUMBER	# OF COLUMNS	# OF DIFF PAIR	DIM "A" MAX	DIM "B"	PTH ϕ
76160-*006	6	24	11.40	9.50	0.46 ± 0.05
76160-*008	8	32	15.20	13.30	
76160-*010	10	40	19.00	17.10	
76160-*016	16	64	30.40	28.50	
76160-*036	6	24	11.40	9.50	0.39 ± 0.05
76160-*038	8	32	15.20	13.30	
76160-*020	10	40	19.00	17.10	
76160-*026	16	64	30.40	28.50	

76160-*0**

0 = OPEN TIN-LEAD
1 = OPEN LEAD-FREE

OF COLUMNS

06 = 6 COL 0.46 PTH
08 = 8 COL 0.46 PTH
10 = 10 COL 0.46 PTH
16 = 16 COL 0.46 PTH
20 = 10 COL 0.39 PTH
26 = 16 COL 0.39 PTH
38 = 8 COL 0.39 PTH
36 = 6 COL 0.39 PTH



DAUGHTERCARD HOLE PATTERN
(CONNECTOR SIDE)

NOTES:

- MATERIALS: HOUSING - LIQUID CRYSTAL POLYMER (LCP), GLASS-FILLED, UL94V-0
TERMINALS - HIGH PERFORMANCE COPPER ALLOY
- FINISH: 30MN MIN GOLD IN CONTACT AREA. SELECTIVE TIN OR SELECTIVE TIN-LEAD ON PCB TAILS. NICKEL OVERALL.
- REFER TO MOLEX PRODUCT SPEC PS-76060-999 FOR PERFORMANCE SPECIFICATIONS AND ADDITIONAL PCB INFORMATION.
- EACH SIGNAL WAFER CONTAINS 2 COLUMNS OF TERMINALS.
- PRODUCT IS PACKAGED PER PK-70873-610.
- THIS PART CONFORMS TO CLASS B REQUIREMENTS OF COSMETIC SPEC PS-45499-002.
- REFER TO MOLEX SALES DRAWING SD-76155-001 FOR THE MATING HEADERS AND SD-76500-001 FOR THE MATING RAM CONNECTORS.
- REFER TO MOLEX PCB ROUTING GUIDE AS-76060-990 FOR ANTIPAD AND ROUTING RECOMMENDATIONS.

RMVD DIM, NO CHNG EC NO: UCP2011-1518 DRWNG:VARVARA 2010/11/22 CHKD:TELO 2010/11/22 APPR:JLAURX 2010/11/29	DESCRIPTION	QUALITY SYMBOLS	GENERAL TOLERANCES (UNLESS SPECIFIED)	DIMENSION STYLE MM ONLY	SCALE 3:1	DESIGN UNITS METRIC	THIRD ANGLE PROJECTION
		$\nabla=0$ $\nabla=0$ $\nabla=0$	mm INCH 4 PLACES \pm --- \pm --- 3 PLACES \pm --- \pm --- 2 PLACES ± 0.13 \pm --- 1 PLACE ± 0.25 \pm --- ANGULAR $\pm 1/2^\circ$	DRAWN BY DATE JLAURX 2008/03/03 CHECKED BY DATE TELO 2008/03/03 APPROVED BY DATE JLAURX 2010/09/15	TITLE IMPACT DAUGHTERCARD 4 PAIR SIGNAL MODULE UNGUIDED SALES DRAWING	DOCUMENT NO. SD-76160-001	SHEET NO. 1 OF 1
DRAFT WHERE APPLICABLE MUST REMAIN WITHIN DIMENSIONS			SEE CHART		THIS DRAWING CONTAINS INFORMATION THAT IS PROPRIETARY TO MOLEX INCORPORATED AND SHOULD NOT BE USED WITHOUT WRITTEN PERMISSION		