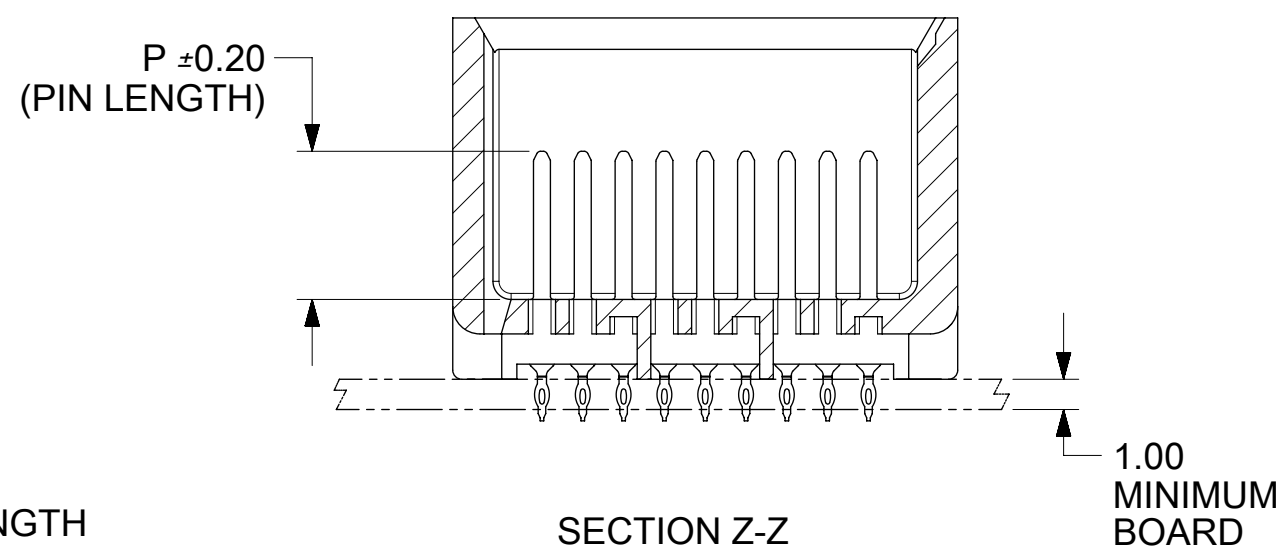
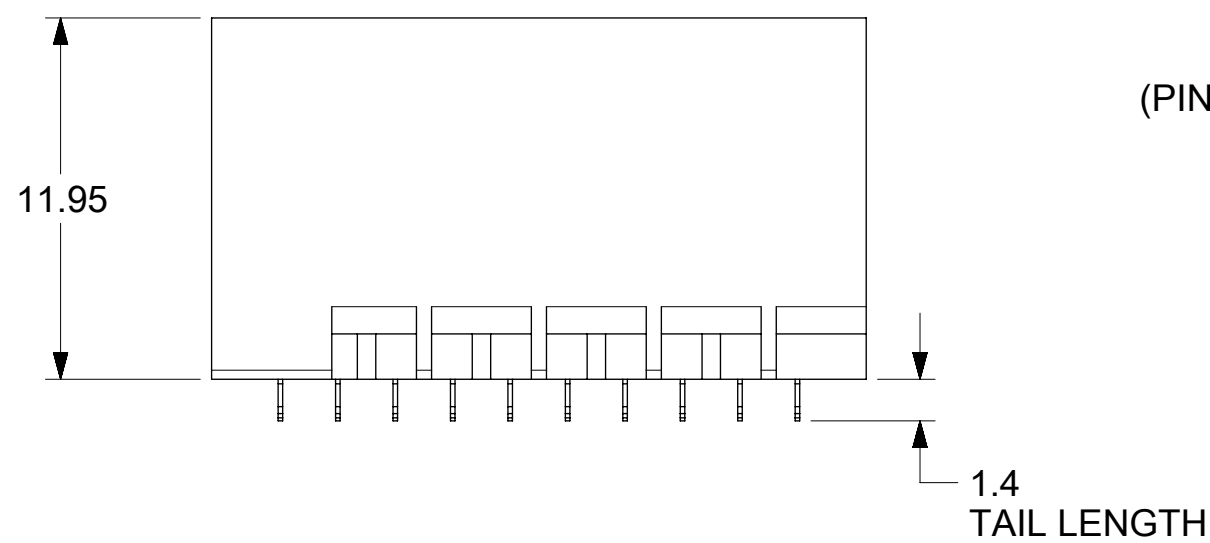
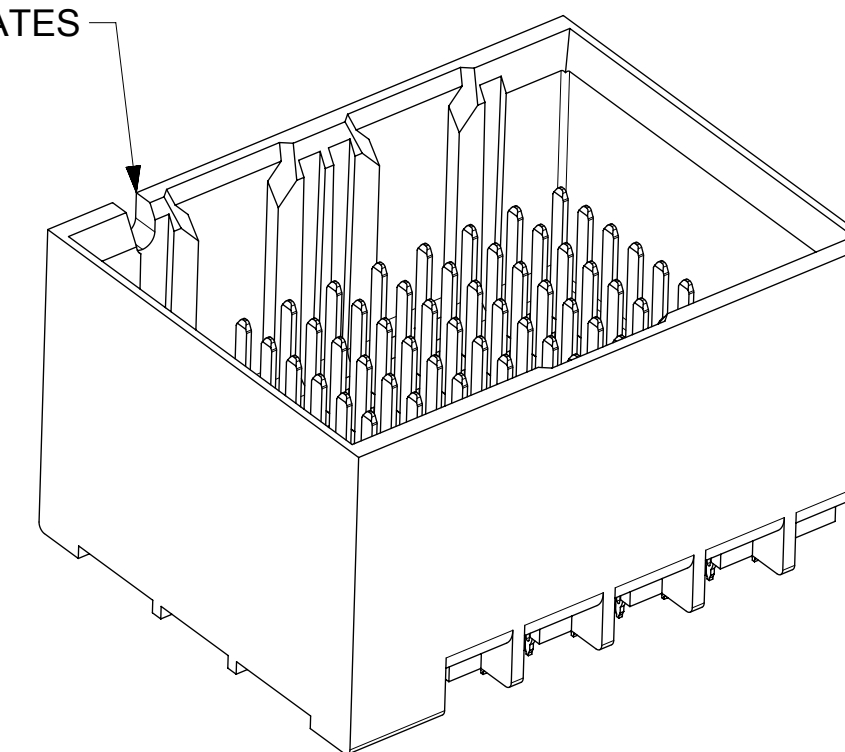


UNGUIDED  
BACKPLANE HOLE PATTERN  
(CONNECTOR SIDE)  
SEE NOTE 9

SEE PART NUMBER CHART  
AND  
PART NUMBER LOGIC  
(9 HOLES PER COLUMN)



NOTCH DESIGNATES  
ROW A



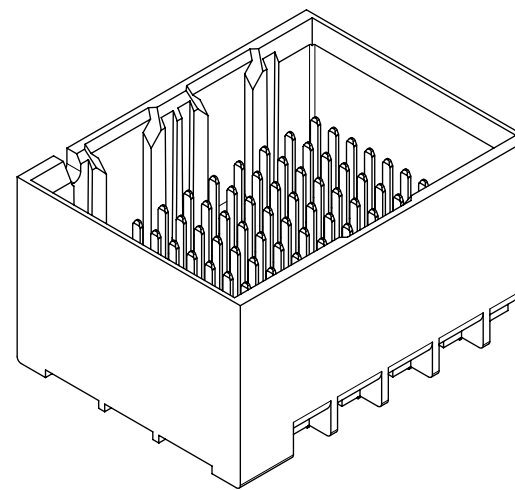
NOTES:

1. MATERIALS: HOUSING - LIQUID CRYSTAL POLYMER (LCP)  
GLASS-FILLED, UL94V-0  
TERMINALS - HIGH PERFORMANCE COPPER ALLOY
2. FINISH: 30µ MIN GOLD IN CONTACT AREA.  
SELECTIVE TIN ON PCB TAILS.  
NICKEL OVERALL.
3. REFER TO MOLEX PRODUCT SPECIFICATION PS-76060-999 FOR PERFORMANCE SPECIFICATIONS AND ADDITIONAL PCB INFORMATION.
4. THIS PART CONFORMS TO CLASS B REQUIREMENTS OF MOLEX COSMETIC SPEC PS-45499-002.
5. PARTS PACKAGED PER PK-70873-7700.
6. SEE SHEETS 2 & 3 FOR PART NUMBERS AND BOARD RELATIONSHIPS.
7. MATES WITH IMPACT DC SERIES NO. 76170.
8. REFER TO MOLEX PCB ROUTING GUIDE AS-76060-990 FOR ANTIPAD AND ROUTING RECOMMENDATIONS.
9. "THESE DIMENSIONS REPRESENT THE AREA NEEDED TO ACCOMMODATE CONNECTOR INSERTION AND REPAIR ON THE PC BOARD. THIS IS REFERRED TO AS THE "CONNECTOR KEEP OUT ZONE" AND DOES NOT REPRESENT THE ACTUAL PERIMETER OF THE CONNECTOR. WHEN LAYING OUT A PC BOARD FOR CONNECTORS STACKED TOGETHER. USE A 1.9mm PROGRESSION."

QUALITY SYMBOLS	THIS DRAWING CONTAINS INFORMATION THAT IS PROPRIETARY TO MOLEX ELECTRONIC TECHNOLOGIES, LLC AND SHOULD NOT BE USED WITHOUT WRITTEN PERMISSION		DIMENSION UNITS	SCALE					
			mm	4:1					
▽ = 0	MIGRATED TO NX EC NO: 123283 DRWN: KUCHILA CHKD: KUCHILA APPR: PRAMASWAMY REV: J1	GENERAL TOLERANCES (UNLESS SPECIFIED)	DRWN BY	DATE	IMPACT BP 3 PAIR UNGUIDED ASSEMBLY SALES DRAWING				
▽ = 0		ANGULAR TOL ± 0.5 °	TIBARRA	2012/11/26					
▽ = 0		4 PLACES ±	CHKD BY	DATE	PRODUCT CUSTOMER DRAWING				
▼ = 0		3 PLACES ±	JBINGHAM	2012/12/18					
▽ = 0		2 PLACES ± 0.13	APPR BY	DATE	SERIES	MATERIAL NUMBER	CUSTOMER		
▽ = 0		1 PLACE ± 0.25	SMILLER	2012/12/31	76165	SEE CHART	GENERAL MARKET		
⊠ = 0	0 PLACES ±	DRAFT WHERE APPLICABLE MUST REMAIN WITHIN DIMENSIONS		DRAWING SIZE	THIRD ANGLE PROJECTION	DOCUMENT NUMBER	DOC TYPE	DOC PART	SHEET NUMBER
■ = 0		C				SD-76165-001	PSD	001	1 OF 3

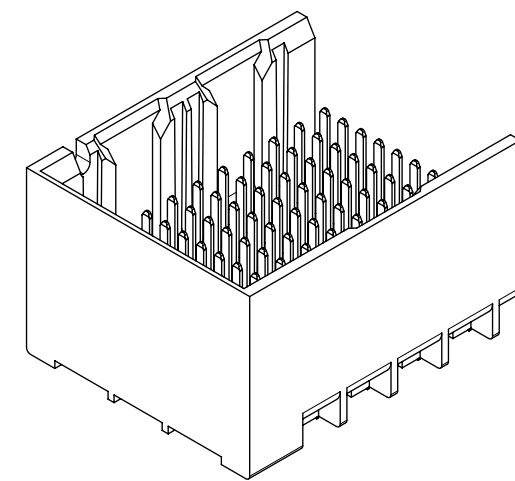
# PART NUMBER CHART

MATERIAL NUMBER	# OF COLUMNS	# OF DIFF PAIR	DIM "A"	DIM "B"	DUAL END WALL OPTION
76165-*32*	6	18	14.1	9.50	
76165-*82*	8	24	17.9	13.30	
76165-*12*	10	30	21.7	17.10	
76165-*62*	16	48	33.1	28.50	



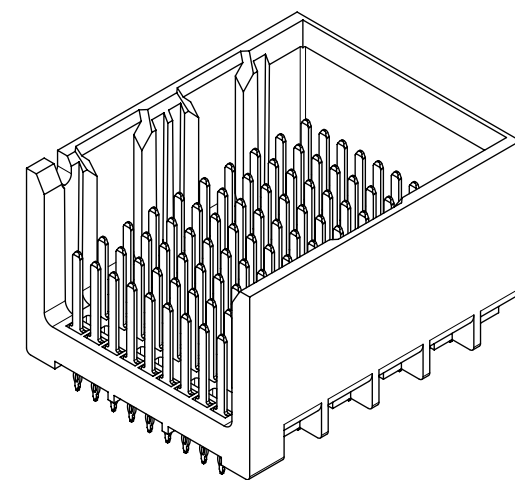
DUAL END  
WALL OPTION

MATERIAL NUMBER	# OF COLUMNS	# OF DIFF PAIR	DIM "A"	DIM "B"	LEFT END WALL OPTION
76165-*31*	6	18	12.7	9.50	
76165-*81*	8	24	16.5	13.30	
76165-*11*	10	30	20.3	17.10	
76165-*61*	16	48	31.7	28.50	



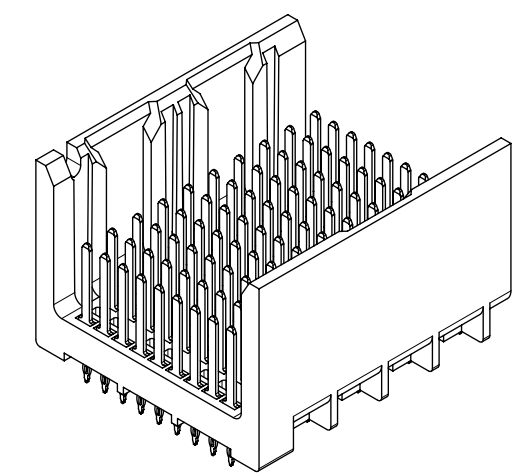
LEFT END  
WALL OPTION

MATERIAL NUMBER	# OF COLUMNS	# OF DIFF PAIR	DIM "A"	DIM "B"	RIGHT END WALL OPTION
76165-*33*	6	18	12.7	9.50	
76165-*83*	8	24	16.5	13.30	
76165-*13*	10	30	20.3	17.10	
76165-*63*	16	48	31.7	28.50	



RIGHT END  
WALL OPTION

MATERIAL NUMBER	# OF COLUMNS	# OF DIFF PAIR	DIM "A"	DIM "B"	OPEN WALL OPTION
76165-*30*	6	18	11.3	9.50	
76165-*80*	8	24	15.1	13.30	
76165-*10*	10	30	18.9	17.10	
76165-*60*	16	48	30.4	28.50	



OPEN  
WALL OPTION

# PART NUMBER LOGIC

76165- \* \* \* \*

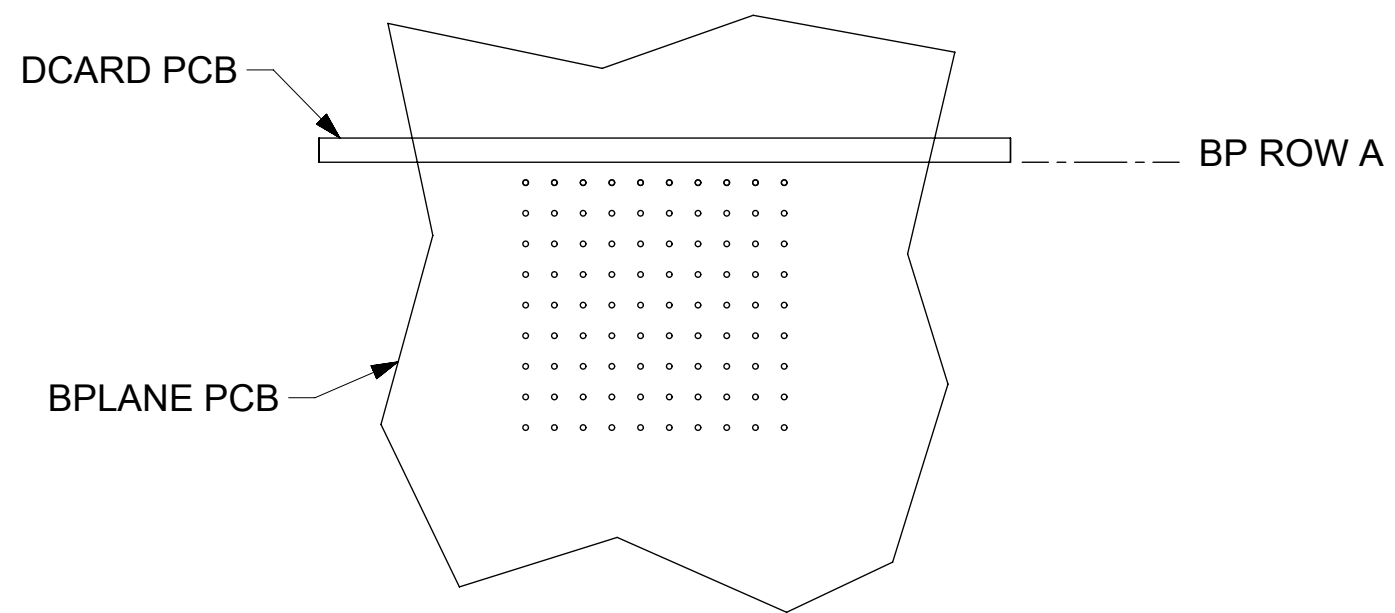
MODULE TYPE  
1 = UNGUIDED, TIN

# OF COLUMNS  
1 = 10 COL  
3 = 6 COL  
6 = 16 COL  
8 = 8 COL

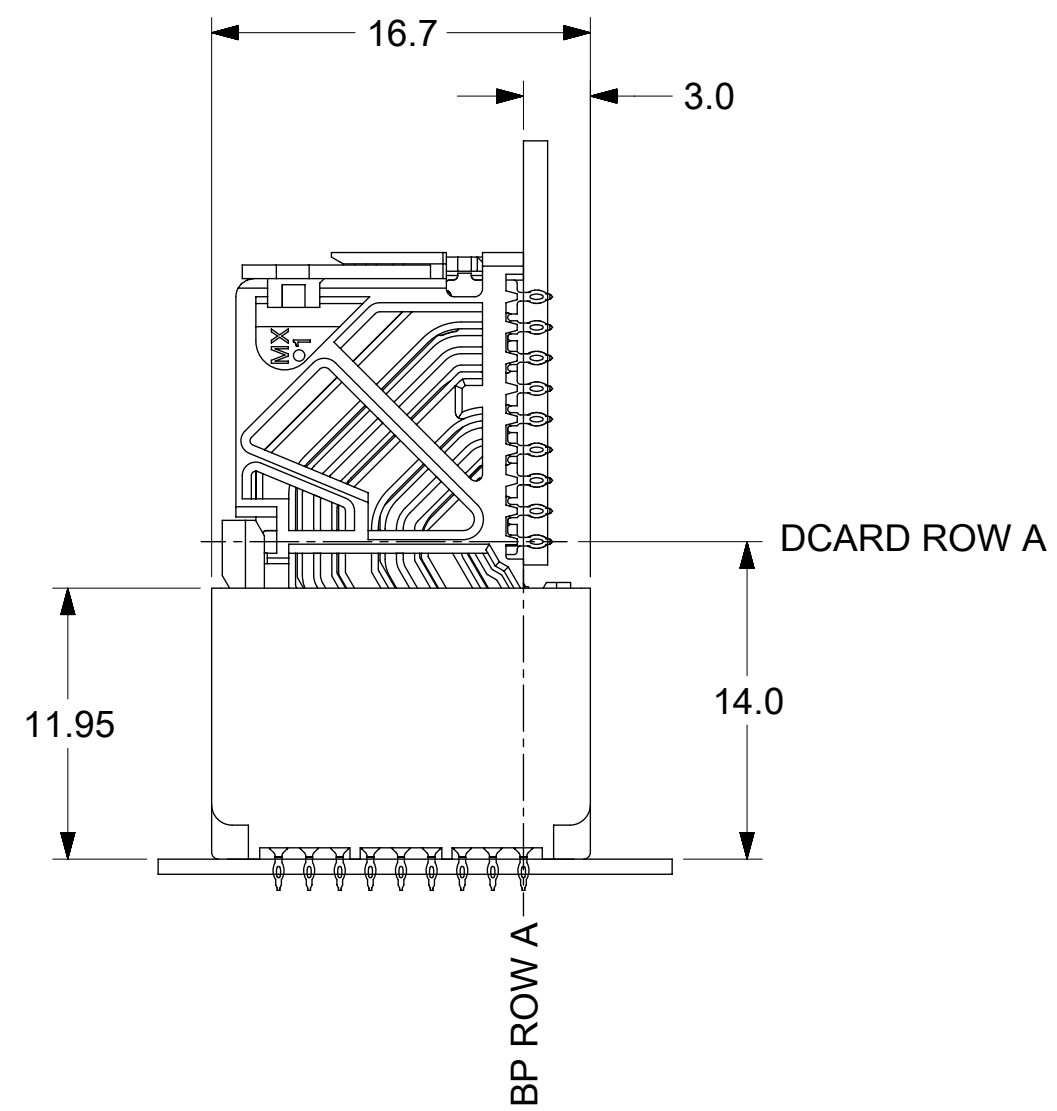
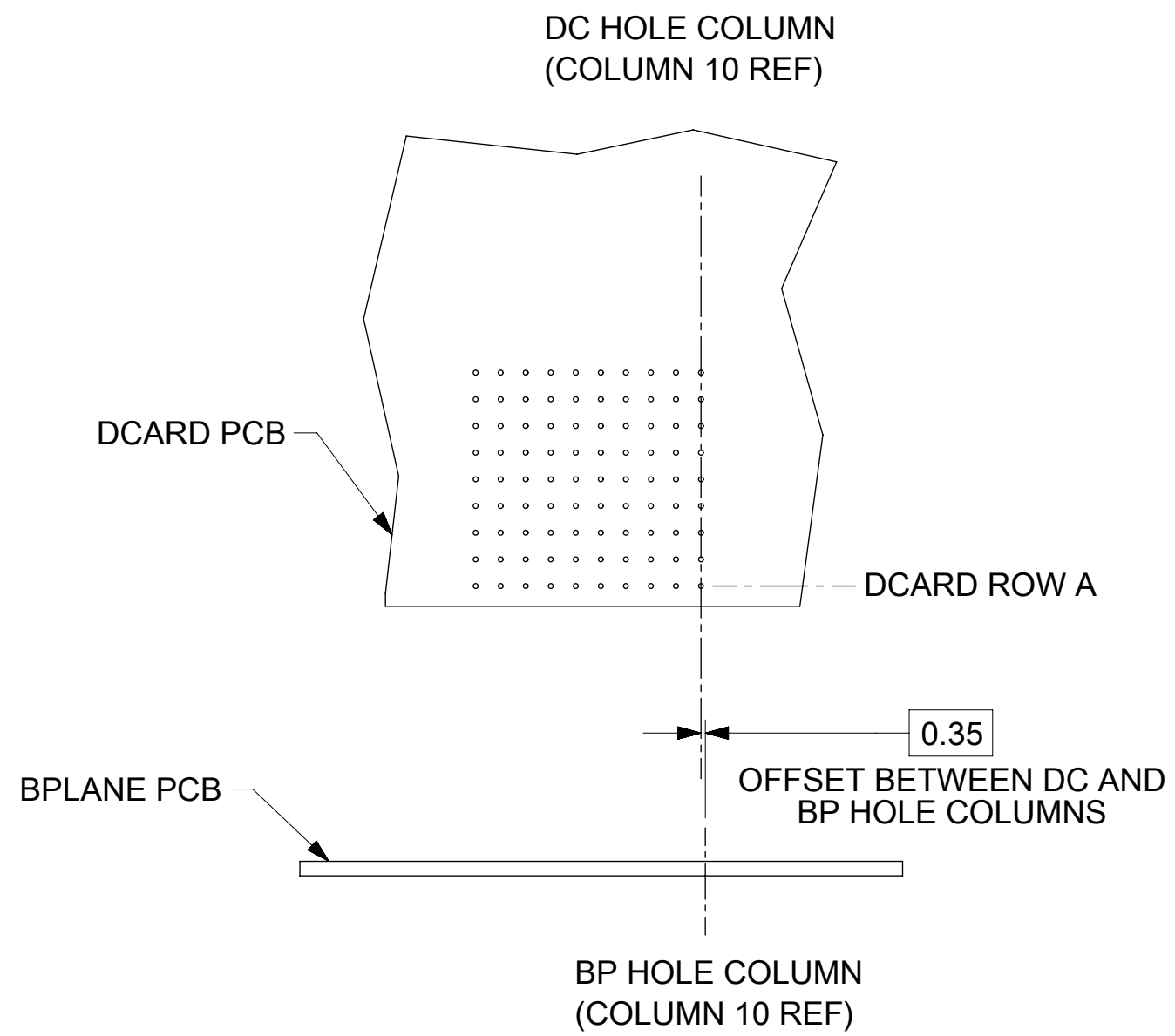
PIN LENGTH (P)  
3 = 4.50 (SHORT COMPLIANT, 0.46±0.05 PTH)  
4 = 4.90 (SHORT COMPLIANT, 0.46±0.05 PTH)  
5 = 5.50 (SHORT COMPLIANT, 0.46±0.05 PTH)  
6 = 4.50 (MICRO COMPLIANT, 0.39±0.05 PTH)  
7 = 4.90 (MICRO COMPLIANT, 0.39±0.05 PTH)  
8 = 5.50 (MICRO COMPLIANT, 0.39±0.05 PTH)

END WALL OPTIONS  
0 = OPEN ENDS  
1 = LEFT END WALL  
2 = DUAL END WALL  
3 = RIGHT END WALL

QUALITY SYMBOLS ▽ = 0 ▽ = 0 ▽ = 0 ▼ = 0 ▽ = 0 ⊠ = 0 ■ = 0 ▽ = 0	THIS DRAWING CONTAINS INFORMATION THAT IS PROPRIETARY TO MOLEX ELECTRONIC TECHNOLOGIES, LLC AND SHOULD NOT BE USED WITHOUT WRITTEN PERMISSION										
	EC NO: 123283 DRWN: KUCHILA CHKD: KUCHILA APPR: PRAMASWAMY REV: J1	2017/10/13 2017/10/13 2017/10/18	GENERAL TOLERANCES (UNLESS SPECIFIED)		DIMENSION UNITS	SCALE					
			ANGULAR TOL ± 0.5 °		mm	2.5:1					
			4 PLACES ±		DRWN BY		DATE		IMPACT BP 3 PAIR UNGUIDED ASSEMBLY SALES DRAWING		
3 PLACES ±			TIBARRA		2012/11/26						
2 PLACES ± 0.13		CHKD BY		DATE		PRODUCT CUSTOMER DRAWING					
1 PLACE ± 0.25		JBINGHAM		2012/12/18							
0 PLACES ±		APPR BY		DATE		SERIES: 76165 MATERIAL NUMBER: SEE CHART CUSTOMER: GENERAL MARKET					
DRAFT WHERE APPLICABLE MUST REMAIN WITHIN DIMENSIONS		SMILLER		2012/12/31							
		DRAWING SIZE		THIRD ANGLE PROJECTION		DOCUMENT NUMBER		DOC TYPE		DOC PART SHEET NUMBER	
		C				SD-76165-001		PSD		001 2 OF 3	



**IMPACT 3 PAIR  
BOARD RELATIONSHIPS**



QUALITY SYMBOLS ▽ = 0 ▽ = 0 ▽ = 0 ▽ = 0 ▽ = 0 ▽ = 0 ▽ = 0 ▽ = 0 ▽ = 0 ▽ = 0	THIS DRAWING CONTAINS INFORMATION THAT IS PROPRIETARY TO MOLEX ELECTRONIC TECHNOLOGIES, LLC AND SHOULD NOT BE USED WITHOUT WRITTEN PERMISSION											
	MIGRATED TO NX EC NO: 123283 DRWN: KUCHILA CHKD: KUCHILA REV: APPR: PRAMASWAMY	GENERAL TOLERANCES (UNLESS SPECIFIED) ANGULAR TOL ± 0.5 °			DIMENSION UNITS: mm SCALE: 1:1							
		DRWN BY: TIBARRA DATE: 2012/11/26		CHKD BY: JBINGHAM DATE: 2012/12/18								PRODUCT CUSTOMER DRAWING
		APPR BY: SMILLER DATE: 2012/12/31		DRAWING SIZE: C		THIRD ANGLE PROJECTION			SERIES: 76165 MATERIAL NUMBER: SEE CHART CUSTOMER: GENERAL MARKET			
		DRAFT WHERE APPLICABLE MUST REMAIN WITHIN DIMENSIONS		DIMENSION UNITS: mm		THIRD ANGLE PROJECTION			DOCUMENT NUMBER: SD-76165-001 DOC TYPE: PSD DOC PART: 001 SHEET NUMBER: 3 OF 3			
		J1		C								