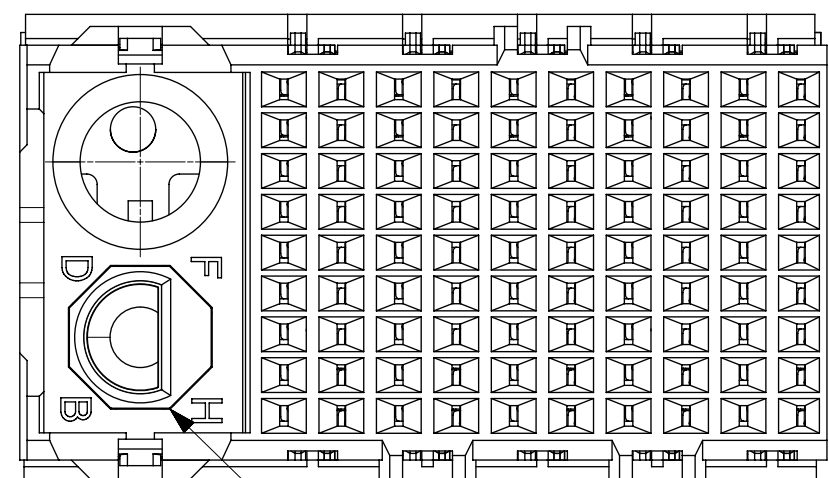
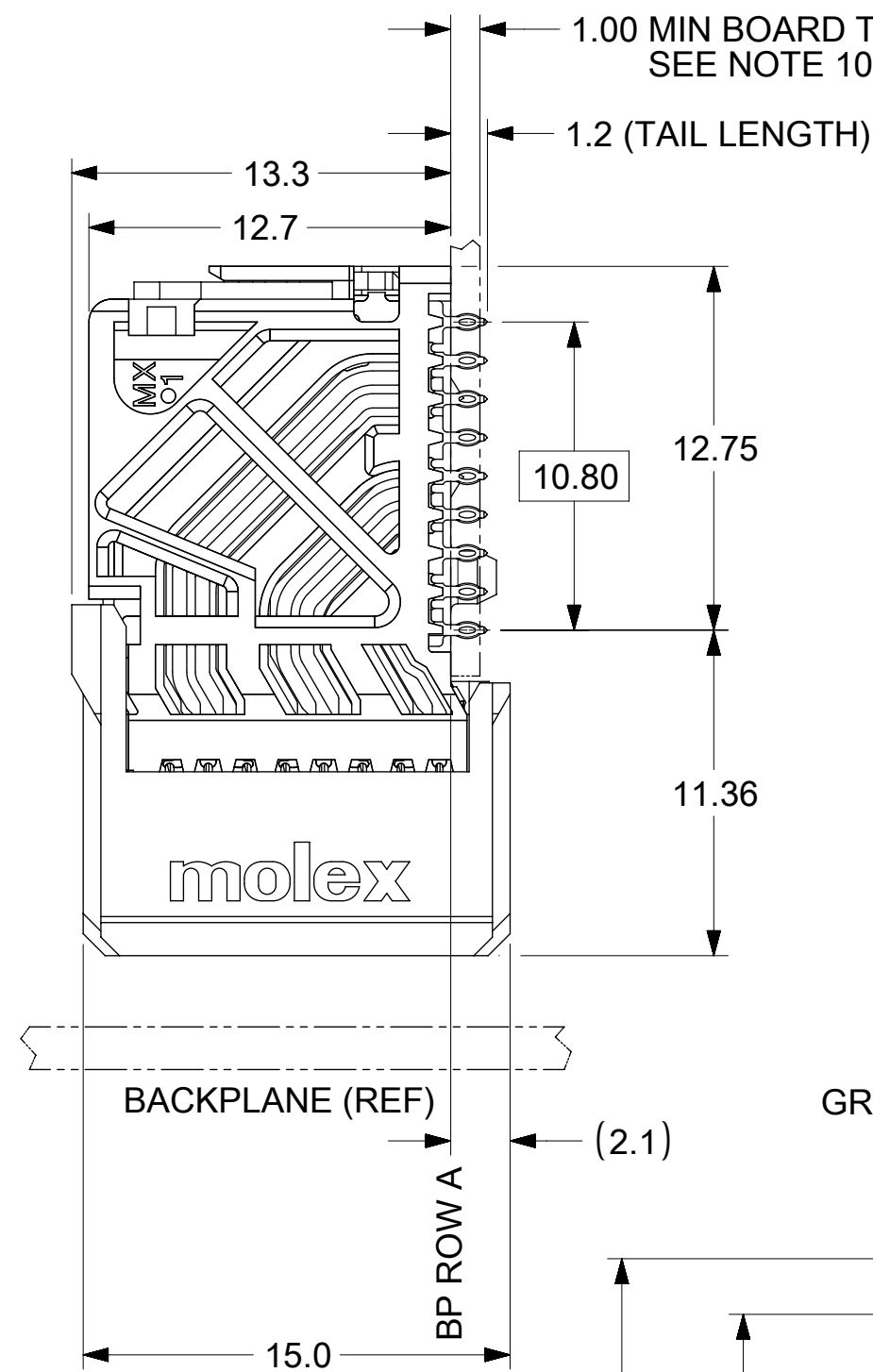


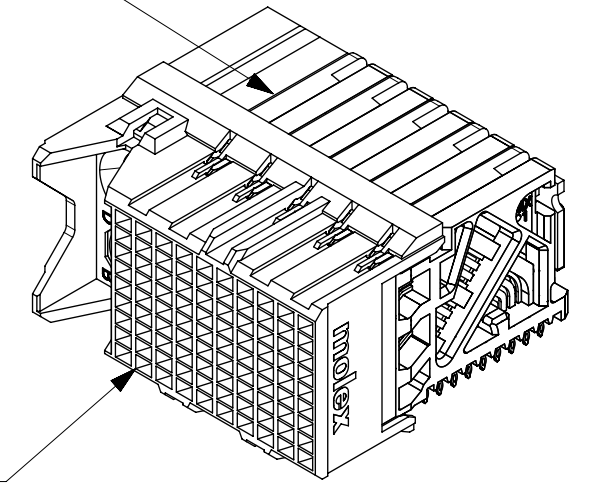
SEE NOTE 12



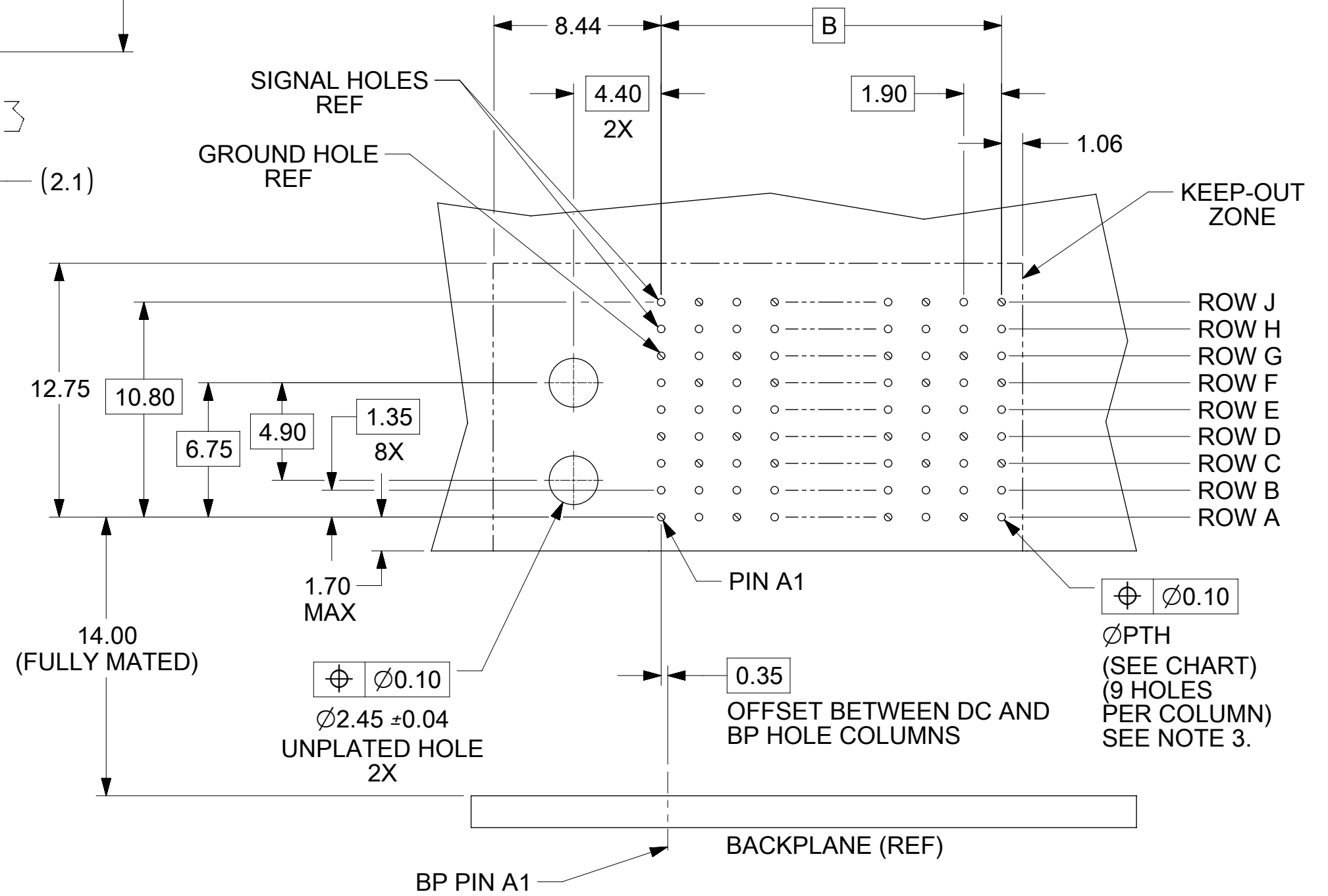
KEY SHOWN IN POSITION G



SEE NOTE 9



PIN A1



**DAUGHTERCARD HOLE PATTERN
(CONNECTOR SIDE)**

NOTES:

1. MATERIALS: HOUSING - LIQUID CRYSTAL POLYMER (LCP), GLASS-FILLED, UL94V-0
TERMINALS - HIGH PERFORMANCE COPPER ALLOY
2. FINISH: 30µIN MIN SELECTIVE GOLD IN CONTACT AREA, SELECTIVE TIN
ON PCB TAILS. NICKEL OVERALL.
3. REFER TO MOLEX PRODUCT SPEC PS-76060-999 FOR PERFORMANCE SPECIFICATIONS
AND ADDITIONAL PCB INFORMATION.
4. EACH SIGNAL WAFER CONTAINS 2 COLUMNS OF TERMINALS.
5. PRODUCT IS PACKAGED PER PK-70873-591.
6. THIS PART CONFORMS TO CLASS B REQUIREMENTS OF COSMETIC SPEC PS-45499-002.
7. REFER TO MOLEX SALES DRAWING SD-76165-002 FOR THE MATING HEADERS AND
TO SD-76410-004 FOR THE MATING RAM CONNECTORS.
8. REFER TO MOLEX PCB ROUTING GUIDE AS-76060-990 FOR ANTIPAD AND ROUTING
RECOMMENDATIONS.
9. PART NUMBER 76170-3720 SHOWN ON DRAWING. KEYING FEATURES WILL CHANGE
WITH COLUMN SIZE.
10. MINIMUM BOARD THICKNESS IS 1.00 mm FOR COMPLIANT PIN FUNCTIONALITY.
11. WHEN USING MOLEX SUPPLIED #2-32 SCREW 73726-0005 (7.62mm +0.38/-0.76
THREADABLE SCREW LENGTH), THE MAXIMUM BOARD THICKNESS IS 1.9 mm TO 2.5 mm.
12. MARKING: LOCATED APPROXIMATELY AS SHOWN. PART NUMBER AND DATE CODE.

THIS DRAWING CONTAINS INFORMATION THAT IS PROPRIETARY TO MOLEX ELECTRONIC TECHNOLOGIES, LLC AND SHOULD NOT BE USED WITHOUT WRITTEN PERMISSION

DIMENSION UNITS	SCALE	CURRENT REV/DESC: MIGRATED TO NX					
mm	NTS						
GENERAL TOLERANCES (UNLESS SPECIFIED)				IMPACT 100 OHM DC 3 PAIR SIGNAL MODULE GUIDE LEFT SALES DWG			
ANGULAR TOL	± 0.5°	EC NO: 622030		PRODUCT CUSTOMER DRAWING			
4 PLACES	±	DRWN: SKRISHNAMU01 2019/07/22		DOCUMENT NUMBER			
3 PLACES	±	CHK'D: PRAMASWAMY 2019/08/07		SD-76170-002			
2 PLACES	± 0.13	APPR: SHONG 2019/08/08		DOC TYPE DOC PART REVISION			
1 PLACE	± 0.25	INITIAL REVISION:		PSD 001 K2			
0 PLACES	±	DRWN: MCARRANZA 2007/07/19		MATERIAL NUMBER			
DRAFT WHERE APPLICABLE MUST REMAIN WITHIN DIMENSIONS		APPR: JLAURX 2008/02/05		CUSTOMER			
THIRD ANGLE PROJECTION		DRAWING		GENERAL MARKET			
C-SIZE		SERIES		SHEET NUMBER			
76170				1 OF 2			

DOCUMENT STATUS	P1	RELEASE DATE	2019/08/08 22:00:45
-----------------	----	--------------	---------------------

MATERIAL NUMBER	# OF COLUMNS	# OF DIFF PAIR	DIM "A" MAX	DIM "B"	PTH ϕ
76170-***6	6	18	19.00	9.50	0.46±0.05
76170-***8	8	24	22.80	13.30	
76170-***0	10	30	26.60	17.10	
76170-***4	14	42	34.20	24.70	
76170-***6	16	48	38.00	28.50	
76170-***6	6	18	19.00	9.50	0.39±0.05
76170-***8	8	24	22.80	13.30	
76170-***0	10	30	26.60	17.10	
76170-***4	14	42	34.20	24.70	
76170-***6	16	48	38.00	28.50	

76170-****

MODULE & TAIL PLATING TYPE
3 = LEFT GUIDED LEAD-FREE

OF COLUMNS
06 = 6 COL 0.46 PTH
08 = 8 COL 0.46 PTH
10 = 10 COL 0.46 PTH
14 = 14 COL 0.46 PTH
16 = 16 COL 0.46 PTH
20 = 10 COL 0.39 PTH
24 = 14 COL 0.39 PTH
26 = 16 COL 0.39 PTH
36 = 6 COL 0.39 PTH
38 = 8 COL 0.39 PTH

POLARIZATION KEY ORIENTATION

0 = NO KEY
1 = A 5 = E
2 = B 6 = F
3 = C 7 = G
4 = D 8 = H

THIS DRAWING CONTAINS INFORMATION THAT IS PROPRIETARY TO MOLEX ELECTRONIC TECHNOLOGIES, LLC AND SHOULD NOT BE USED WITHOUT WRITTEN PERMISSION

DIMENSION UNITS	SCALE	CURRENT REV DESC: MIGRATED TO NX		molex		
mm	NTS					
GENERAL TOLERANCES (UNLESS SPECIFIED)		EC NO: 622030		IMPACT 100 OHM DC		
ANGULAR TOL	± 0.5°	DRWN: SKRISHNAMU01	2019/07/22	3 PAIR SIGNAL MODULE GUIDE LEFT SALES DWG		
4 PLACES	±	CHK'D: PRAMASWAMY	2019/08/07	PRODUCT CUSTOMER DRAWING		
3 PLACES	±	APPR: SHONG	2019/08/08	DOCUMENT NUMBER		
2 PLACES	± 0.13	INITIAL REVISION:		SD-76170-002		
1 PLACE	± 0.25	DRWN: MCARRANZA	2007/07/19	DOC TYPE	DOC PART	REVISION
0 PLACES	±	APPR: JLAURX	2008/02/05	PSD	001	K2
DRAFT WHERE APPLICABLE MUST REMAIN WITHIN DIMENSIONS	THIRD ANGLE PROJECTION	DRAWING	SERIES	MATERIAL NUMBER	CUSTOMER	SHEET NUMBER
		C-SIZE	76170	SEE CHART	GENERAL MARKET	2 OF 2

DOCUMENT STATUS	P1	RELEASE DATE	2019/08/08 22:00:45
-----------------	----	--------------	---------------------