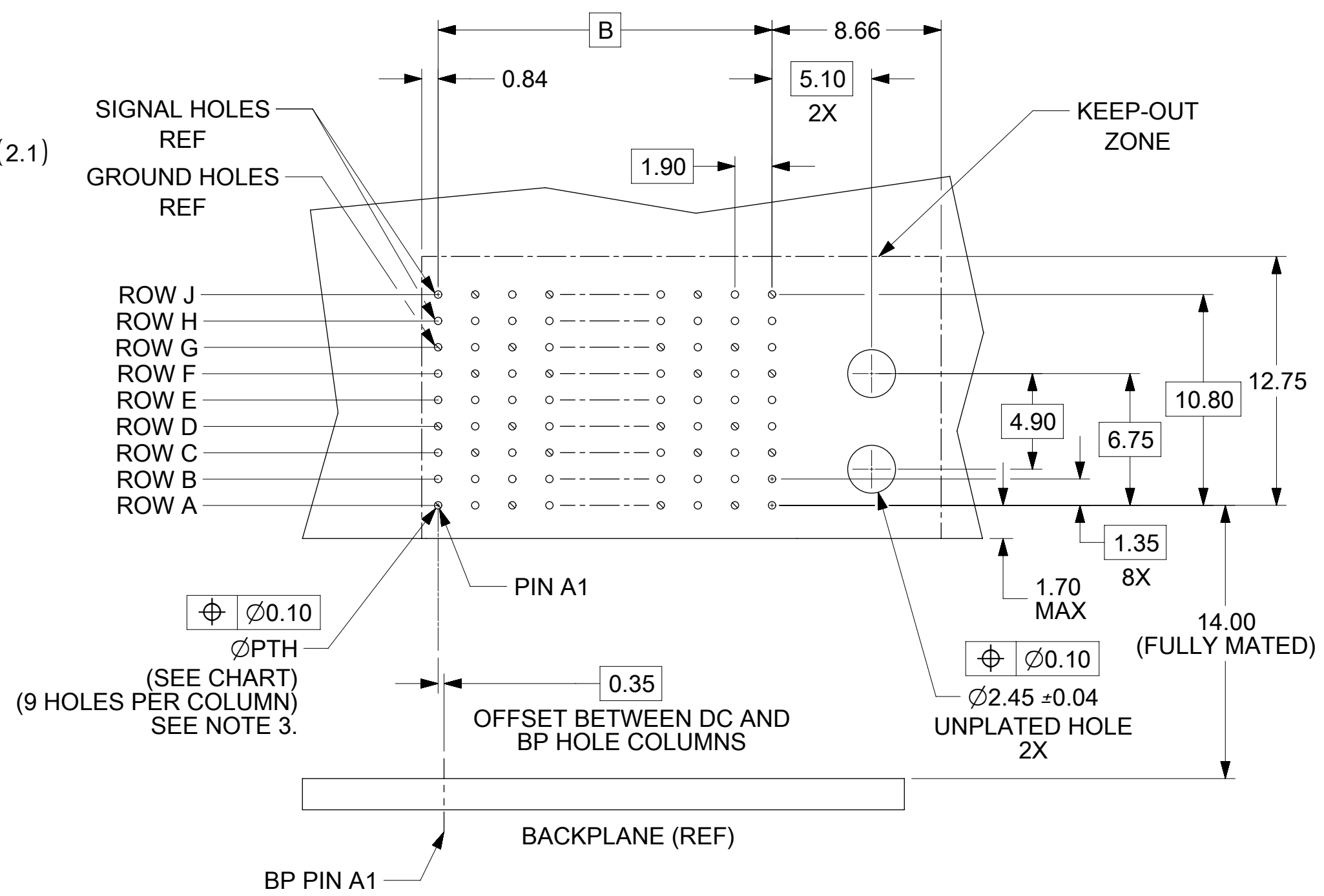
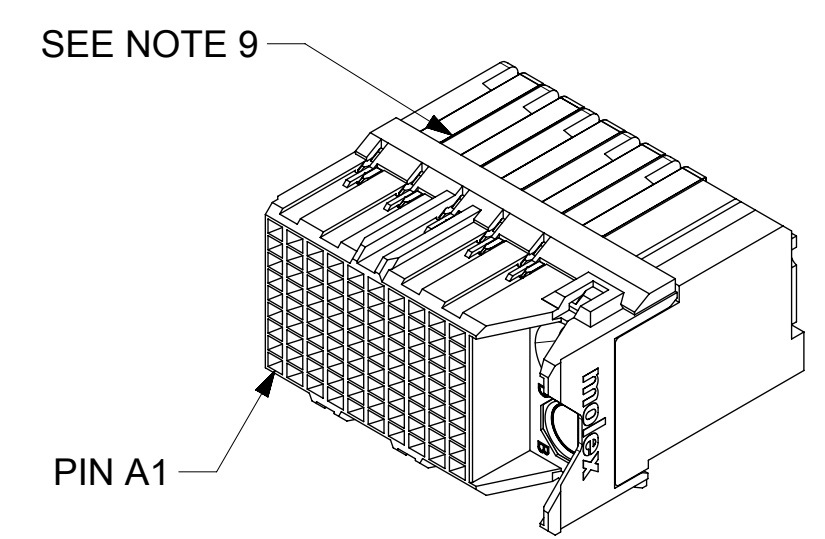
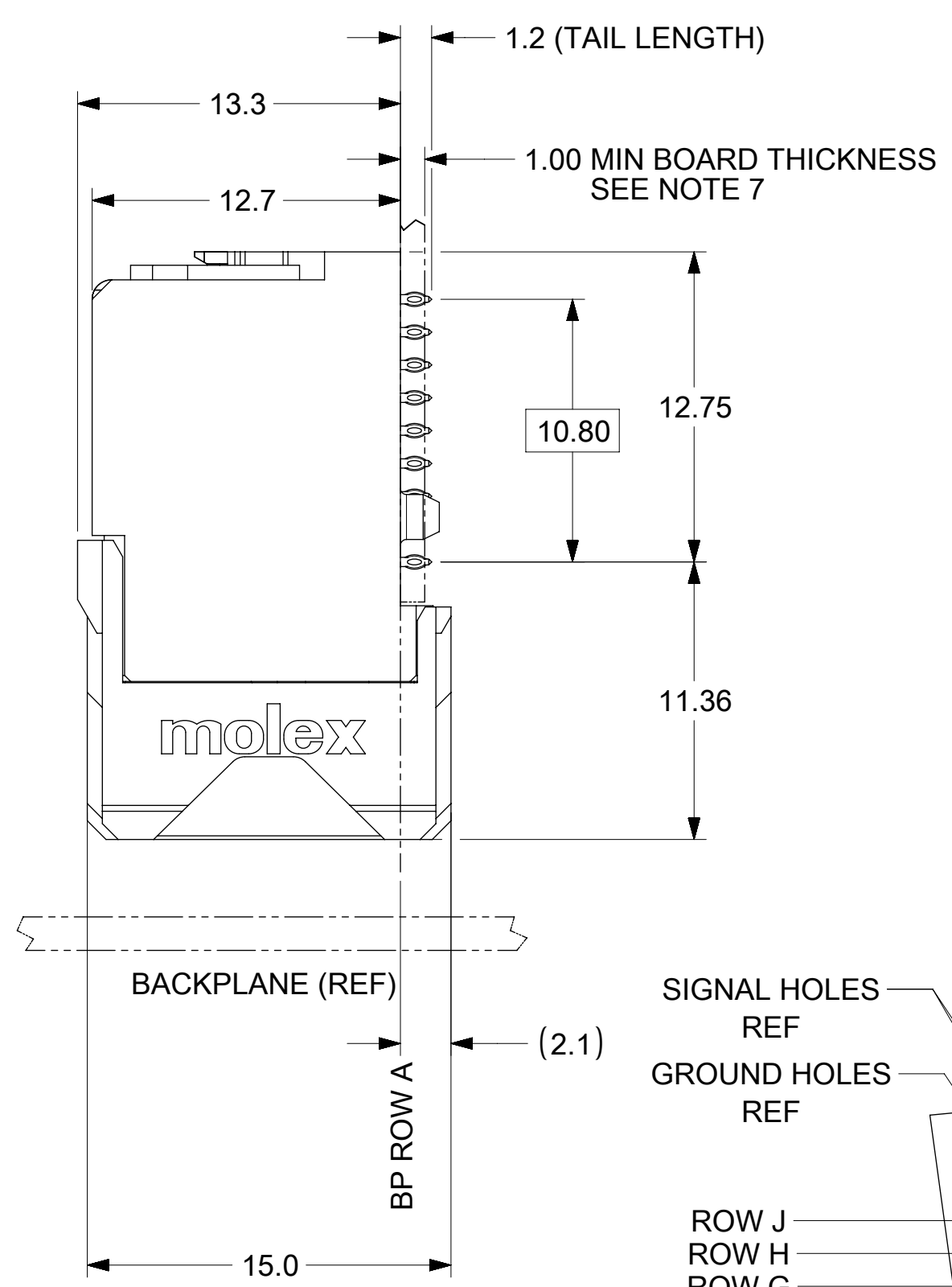


- NOTES:
1. MATERIALS: HOUSING - LIQUID CRYSTAL POLYMER (LCP), GLASS-FILLED, UL94V-0  
TERMINALS - HIGH PERFORMANCE COPPER ALLOY
  2. FINISH: 30µIN MIN SELECTIVE GOLD IN CONTACT AREA, SELECTIVE TIN  
ON PCB TAILS. NICKEL OVERALL.
  3. REFER TO MOLEX PRODUCT SPEC PS-76060-999 FOR PERFORMANCE SPECIFICATIONS  
AND ADDITIONAL PCB INFORMATION.
  4. EACH SIGNAL WAFER CONTAINS 2 COLUMNS OF TERMINALS.
  5. PRODUCT IS PACKAGED PER PK-70873-591.
  6. THIS PART CONFORMS TO CLASS B REQUIREMENTS OF COSMETIC SPEC PS-45499-002.
  7. REFER TO MOLEX SALES DRAWING SD-76165-003 FOR THE MATING HEADERS AND  
SD-76410-002 FOR THE MATING RAM CONNECTORS.
  8. REFER TO MOLEX PCB ROUTING GUIDE AS-76060-990 FOR THE ANTIPAD AND ROUTING  
RECOMMENDATIONS.
  9. PART NUMBER 76170-5720 SHOWN ON DRAWING. KEYING FEATURES WILL CHANGE  
WITH COLUMN SIZE.
  10. MINIMUM BOARD THICKNESS IS 1.00 mm FOR COMPLIANT PIN FUNCTIONALITY.
  11. WHEN USING MOLEX SUPPLIED #2-32 SCREW 73726-0005 (7.62mm +0.38/-0.76  
THREADABLE SCREW LENGTH), THE MAXIMUM BOARD THICKNESS RANGE  
IS 1.9 mm TO 2.5 mm.
  12. MARKING: LOCATED APPROXIMATELY AS SHOWN. PART NUMBER AND DATE CODE.



DAUGHTERCARD HOLE PATTERN  
(CONNECTOR SIDE)

THIS DRAWING CONTAINS INFORMATION THAT IS PROPRIETARY TO MOLEX ELECTRONIC TECHNOLOGIES, LLC AND SHOULD NOT BE USED WITHOUT WRITTEN PERMISSION									
DIMENSION UNITS		SCALE		CURRENT REV DESC: MIGRATED TO NX					
mm		NTS		<p>IMPACT 100 OHM DC 3 PAIR SIGNAL MODULE GUIDE RIGHT SALES DWG</p> <p>PRODUCT CUSTOMER DRAWING</p> <p>DOCUMENT NUMBER: SD-76170-004    DOC TYPE: PSD    DOC PART: 001    REVISION: K1</p> <p>MATERIAL NUMBER: SEE CHART    CUSTOMER: GENERAL MARKET    SHEET NUMBER: 1 OF 2</p>					
GENERAL TOLERANCES (UNLESS SPECIFIED)									
ANGULAR TOL ± 0.5°									
4 PLACES ±									
3 PLACES ±									
2 PLACES ± 0.13									
1 PLACE ± 0.25									
0 PLACES ±				EC NO: 622030		2019/07/30			
DRAFT WHERE APPLICABLE MUST REMAIN WITHIN DIMENSIONS				THIRD ANGLE PROJECTION		DRAWING		SERIES	
				C-SIZE		76170			
				DRWN: SKRISHNAMU01		2019/08/07			
				CHK'D: PRAMASWAMY		2019/08/07			
				APPR: SHONG		2019/08/08			
				INITIAL REVISION:		2007/07/20			
				DRWN: MCARRANZA		2008/02/05			
				APPR: JLAURX					

MATERIAL NUMBER	# OF COLUMNS	# OF DIFF PAIR	DIM "A" MAX	DIM "B"	PTH $\varnothing$
76170-***6	6	18	19.00	9.50	0.46 $\pm 0.05$
76170-***8	8	24	22.80	13.30	
76170-***0	10	30	26.60	17.10	
76170-***4	14	42	34.20	24.70	
76170-***6	16	48	38.00	28.50	
76170-***6	6	18	19.00	9.50	0.39 $\pm 0.05$
76170-***8	8	24	22.80	13.30	
76170-***0	10	30	26.60	17.10	
76170-***4	14	42	34.20	24.70	
76170-***6	16	48	38.00	28.50	

## 76170-\*\*\*\*

MODULE & TAIL PLATING TYPE  
5 = RIGHT GUIDED LEAD-FREE

POLARIZATION KEY ORIENTATION

0 = NO KEY  
1 = A    5 = E  
2 = B    6 = F  
3 = C    7 = G  
4 = D    8 = H

# OF COLUMNS

06 = 6 COL 0.46 PTH  
08 = 8 COL 0.46 PTH  
10 = 10 COL 0.46 PTH  
14 = 14 COL 0.46 PTH  
16 = 16 COL 0.46 PTH  
20 = 10 COL 0.39 PTH  
24 = 14 COL 0.39 PTH  
26 = 16 COL 0.39 PTH  
36 = 6 COL 0.39 PTH  
38 = 8 COL 0.39 PTH

THIS DRAWING CONTAINS INFORMATION THAT IS PROPRIETARY TO MOLEX ELECTRONIC TECHNOLOGIES, LLC AND SHOULD NOT BE USED WITHOUT WRITTEN PERMISSION									
DIMENSION UNITS		SCALE		CURRENT REV DESC: MIGRATED TO NX				<b>molex</b>	
mm		NTS							
GENERAL TOLERANCES (UNLESS SPECIFIED)				EC NO: 622030				IMPACT 100 OHM DC 3 PAIR SIGNAL MODULE GUIDE RIGHT SALES DWG	
ANGULAR TOL $\pm 0.5^\circ$				DRWN: SKRISHNAMU01 2019/07/30					
4 PLACES $\pm$				CHK'D: PRAMASWAMY 2019/08/07					
3 PLACES $\pm$				APPR: SHONG 2019/08/08				PRODUCT CUSTOMER DRAWING	
2 PLACES $\pm 0.13$				INITIAL REVISION:				DOCUMENT NUMBER	
1 PLACE $\pm 0.25$				DRWN: MCARRANZA 2007/07/20				SD-76170-004	
0 PLACES $\pm$				APPR: JLAURX 2008/02/05				DOC TYPE DOC PART REVISION	
DRAFT WHERE APPLICABLE MUST REMAIN WITHIN DIMENSIONS				THIRD ANGLE PROJECTION		DRAWING		SHEET NUMBER	
						C-SIZE		2 OF 2	
				SERIES		MATERIAL NUMBER		CUSTOMER	
				76170		SEE CHART		GENERAL MARKET	

DOCUMENT STATUS	P1	RELEASE DATE	2019/08/08 22:00:46
-----------------	----	--------------	---------------------