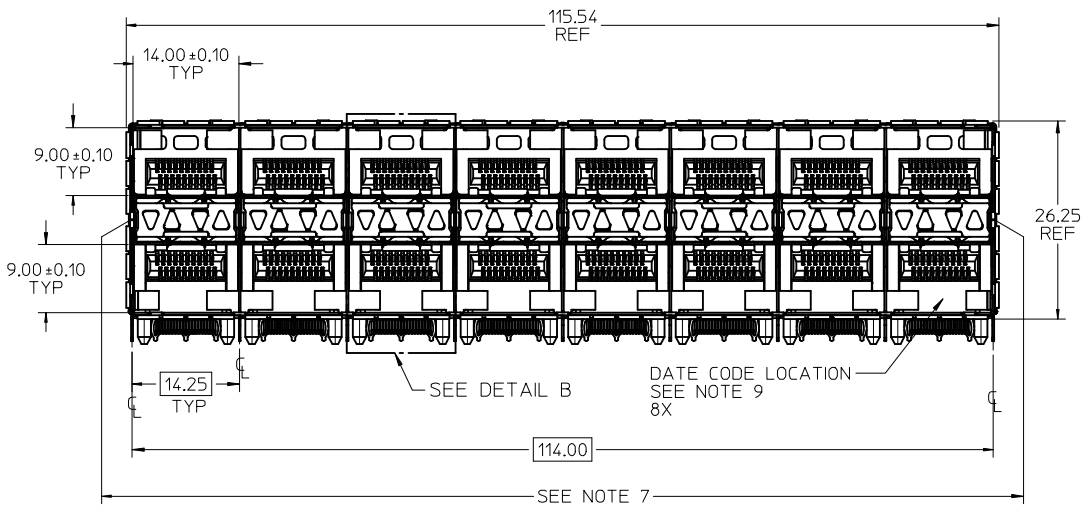
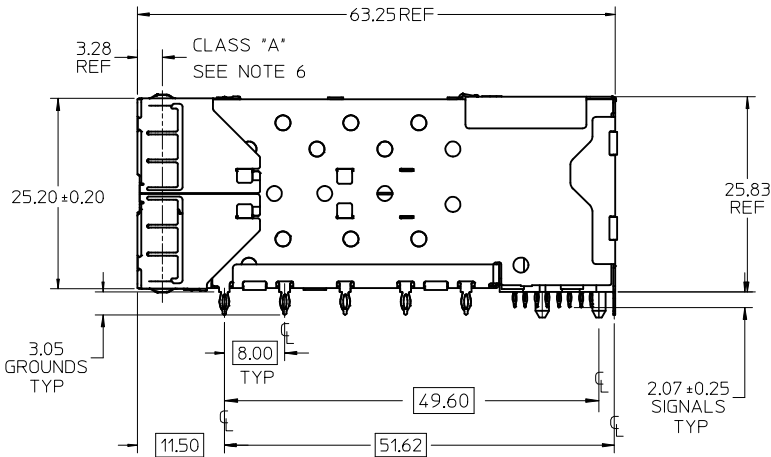


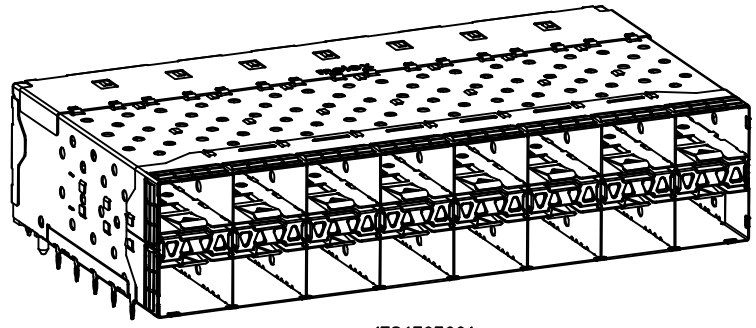
PART NUMBER	DESCRIPTION	VIEW	COMPLIANT TAIL PLATING
1726705001	4 LIGHT PORTS	SEE PG 2	MATTE TIN
	INNER 2 PORTS	SEE PG 2	MATTE TIN
	OUTER 2 PORTS	SEE PG 2	MATTE TIN



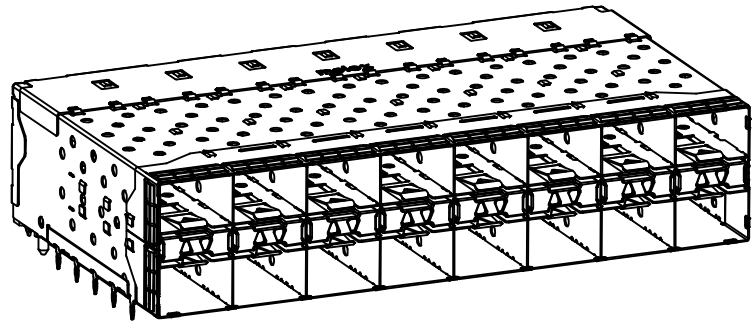
- NOTES**
- MATERIAL:**  
 CAGE: NICKEL SILVER, THICKNESS: 0.25mm  
 CONNECTOR HOUSING: GLASS FILLED LIQUID CRYSTAL POLYMER (LCP), UL 94V-0, COLOR: BLACK  
 OVERMOLD TERMINAL HOUSING: GLASS FILLED LIQUID CRYSTAL POLYMER (LCP), UL 94V-0, COLOR: BLACK  
 TERMINALS: TIN BRASS  
 EMI GASKET: PH05-BRONZE  
 LIGHTPIPE HOUSING: ZINC  
 LIGHTPIPES: POLYCARBONATE, COLOR: CLEAR
  - FINISHES:**  
 TERMINALS: CONTACT AREA: 0.76 MICROMETERS MINIMUM HARD GOLD OVER 1.27 MICROMETERS MINIMUM NICKEL.  
 COMPLIANT TAIL - MATTE TIN/LEAD OPTION: 0.76 TO 1.52 MICROMETERS 90/10 MATTE TIN-LEAD OVER 0.76 MICROMETERS MINIMUM NICKEL.  
 COMPLIANT TAIL - MATTE TIN OPTION: 0.76 TO 1.52 MICROMETERS MATTE TIN OVER 0.76 MICROMETERS MINIMUM NICKEL.  
 LIGHTPIPE HOUSING: 80 MICROMETERS MINIMUM NICKEL OVER COPPER  
 EMI GASKET: 2.54 MICROMETERS MINIMUM NICKEL OVERALL
  - REFER TO PS-75310-001 PRODUCT SPEC FOR ALL ELECTRICAL, MECHANICAL AND ENVIRONMENTAL SPECIFICATIONS.
  - LIGHTPIPE PAD LAYOUT IS FOR 0805 LOW-PROFILE LED PACKAGE, FOR OTHER RECOMMENDED LAYOUTS REFER TO MOLEX'S REPORT TS-75310-001.
  - REFER TO PK-76352-001 FOR ALL PACKAGING SPECIFICATIONS.
  - ALL EXTERIOR SURFACES TO BE CLASS "B" SURFACE EXCEPT THE UNDER SIDE OF THE CAGE WHERE THE PCB WOULD BE LOCATED AND AS NOTED. THE SURFACES TO CONFORM TO THE MOLEX COSMETIC DOC PS-45499-002.
  - THE OVERALL CAGE WIDTH AT THE VERTICAL CENTER OF THE FRONT EDGE WILL FALL WITHIN THIS DIMENSION: 114.80 ± 0.30 MM. THIS PORTION OF THE CAGE WILL FLEX INWARD AS THE CAGE IS BEING INSERTED INTO THE BEZEL OPENING.
  - REFER TO AS-76090-001 FOR HIGH SPEED ROUTING RECOMMENDATIONS.
  - DATE CODE LOCATION IS SHOWN ABOVE.  
 DATE CODE FORMAT: DDDY MX A1  
 DDD = DAY OF THE YEAR  
 Y = YEAR  
 MX = MOLEX  
 A = ALPHA CHARACTER - INDICATES MANUFACTURING LINE  
 1 = NUMERIC CHARACTER - INDICATES PRODUCTION SHIFT



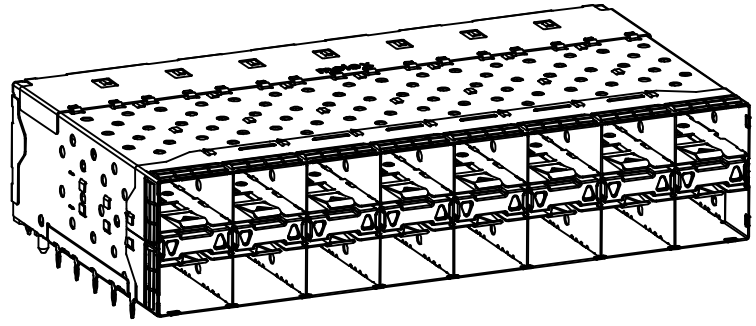
<b>INITIAL RELEASE</b> EC NO: UCP2014-4484 DRWN:RWHIPPLE 2014/04/28 CHKD:BBARKER 2014/04/28 APPR:SMILLER 2014/08/04	QUALITY SYMBOLS ▽=0 ▽=0 ▽=0	GENERAL TOLERANCES (UNLESS SPECIFIED)		DIMENSION STYLE <b>MM ONLY</b>		SCALE <b>2:1</b>	DESIGN UNITS <b>METRIC</b>	THIRD ANGLE PROJECTION			
		4 PLACES ± --- ± ---	mm INCH	DRAWN BY RWHIPPLE	DATE 2014/04/28	TITLE <b>STACKED SFP 2X8 ASS'Y WITH METAL EMI GASKET AND LIGHTPIPES</b>					
		3 PLACES ± --- ± ---	± 0.13 ± ---	CHECKED BY	DATE	APPROVED BY SMILLER					
		2 PLACES ± 0.13 ± ---	± 0.25 ± ---	MATERIAL NO. <b>SEE TABLE</b>	DATE 2014/08/04	DOCUMENT NO. <b>RSD-172670-0001</b>					
1 PLACE ± 0.25 ± ---	± ±	ANGULAR ± 5 °		DRAFT WHERE APPLICABLE MUST REMAIN WITHIN DIMENSIONS		SHEET NO. <b>1 OF 5</b>		THIS DRAWING CONTAINS INFORMATION THAT IS PROPRIETARY TO MOLEX INCORPORATED AND SHOULD NOT BE USED WITHOUT WRITTEN PERMISSION			



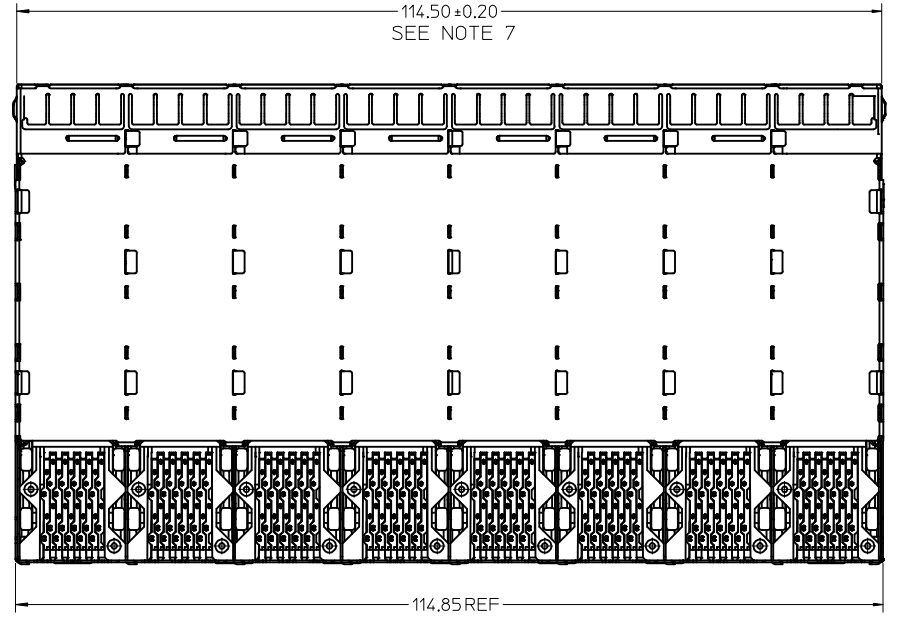
1726705001  
WITH INNER & OUTER LIGHTPIPE PORTS



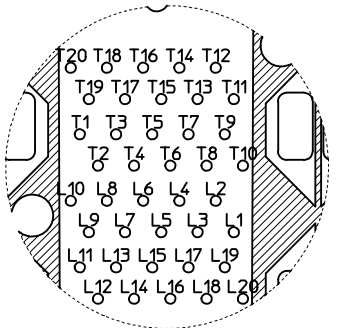
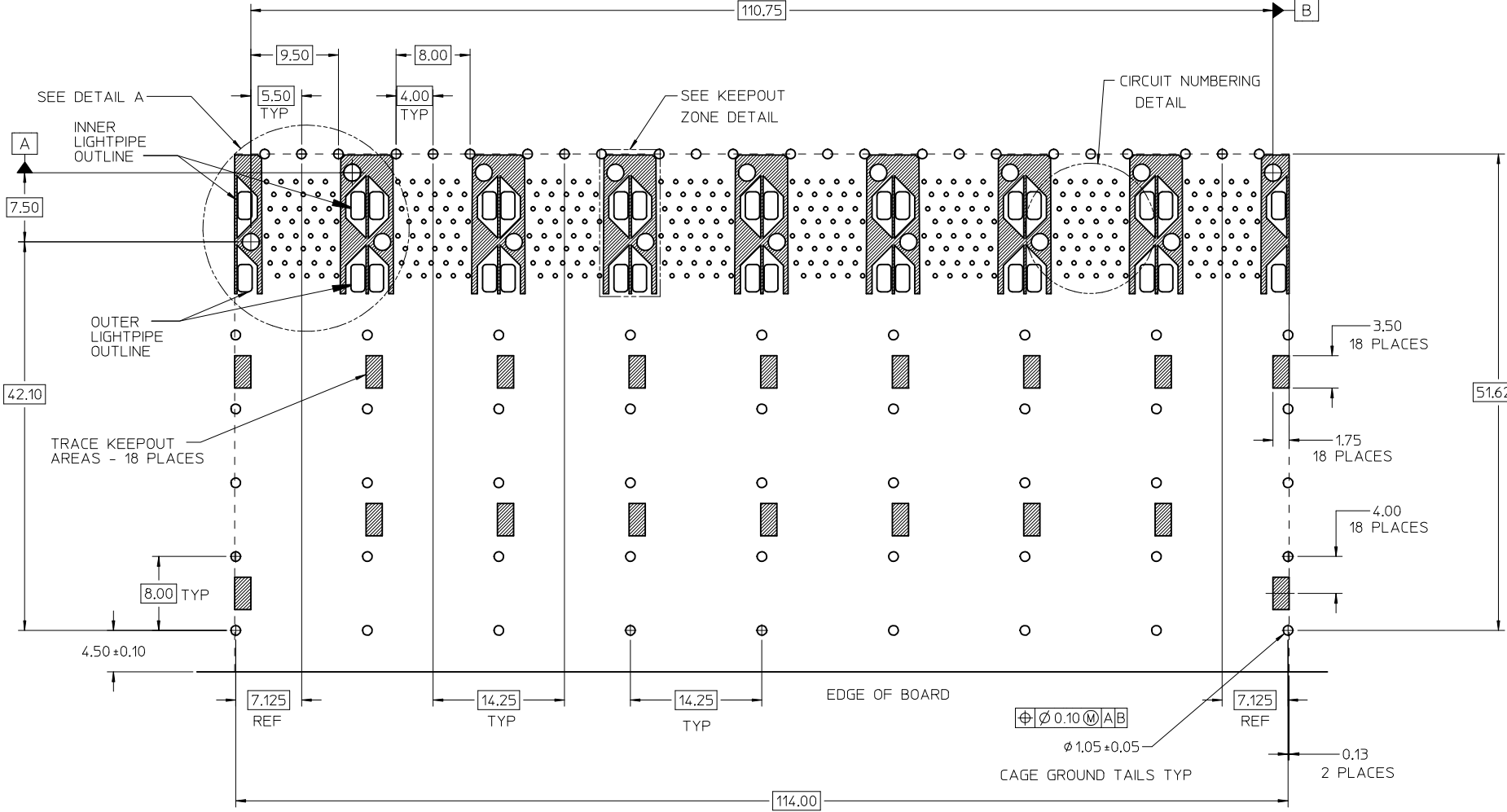
WITH INNER LIGHTPIPE PORTS



WITH OUTER LIGHTPIPE PORTS



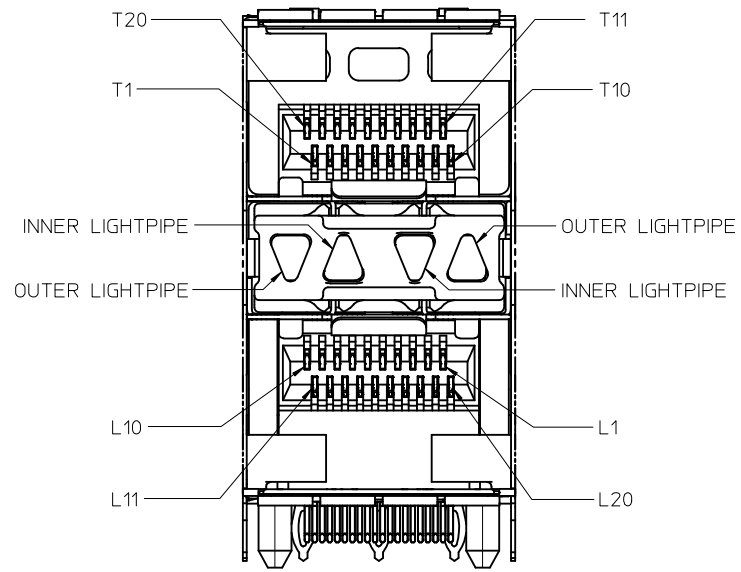
SEE SHEET 1 EC NO: UCP2014-4484 DRWN:RWHIPPLE 2014/04/28 CHKD:BBARKER 2014/04/28 APPR:SMILLER 2014/08/04	QUALITY SYMBOLS	GENERAL TOLERANCES (UNLESS SPECIFIED)	DIMENSION STYLE MM ONLY	SCALE 2:1	DESIGN UNITS METRIC	THIRD ANGLE PROJECTION
	▽=0	mm INCH	DRAWN BY DATE RWHIPPLE 2014/04/28	TITLE	STACKED SFP 2X8 ASS'Y WITH METAL EMI GASKET AND LIGHTPIPES <b>molex</b>	
	▽=0	4 PLACES ± --- ± ---	CHECKED BY DATE	APPROVED BY DATE SMILLER 2014/08/04		
	▽=0	3 PLACES ± --- ± ---	5 PLACES ± --- ± ---	MATERIAL NO.	DOCUMENT NO.	SHEET NO.
	2 PLACES ± 0.13 ± ---	1 PLACE ± 0.25 ± ---	SEE SHEET 1	RSD-172670-0001	2 OF 5	
	0 PLACE ± ±	ANGULAR ± 5 °	THIS DRAWING CONTAINS INFORMATION THAT IS PROPRIETARY TO MOLEX INCORPORATED AND SHOULD NOT BE USED WITHOUT WRITTEN PERMISSION			
REV	DESCRIPTION	DRAFT WHERE APPLICABLE MUST REMAIN WITHIN DIMENSIONS	SIZE C			



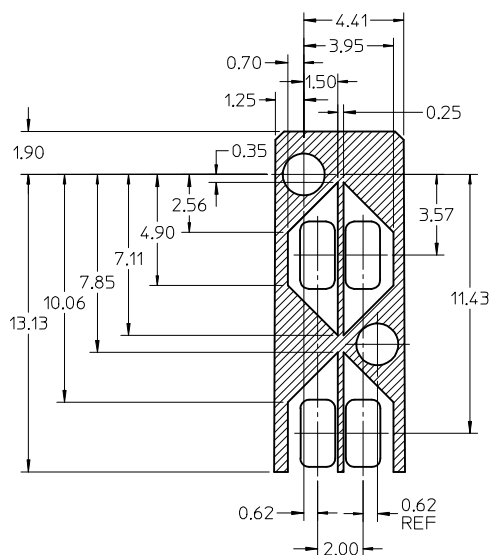
CIRCUIT NUMBERING  
COMPONENT SIDE OF BOARD

RECOMMENDED PCB LAYOUT - COMPONENT SIDE  
 RECOMMENDED PCB THICKNESS - 2.63 MM (.093 INCH)  
 THE ENTIRE AREA OF THE CONNECTOR FOOTPRINT  
 TO BE CONSIDERED THE KEEP OUT AREA FOR COMPONENTS  
 (OTHER THAN LIGHTPIPE LED'S)  
 THIS AREA IS INDICATED BY THE DASHED LINE

SEE SHEET 1 EC NO: UCP2014-4484 DRWN:RWHIPPLE 2014/04/28 CHKD:BBARKER 2014/04/28 APPR:SMILLER 2014/08/04	QUALITY SYMBOLS ▽=0 ▽=0 ▽=0	GENERAL TOLERANCES (UNLESS SPECIFIED)		DIMENSION STYLE <b>MM ONLY</b>		SCALE <b>3:1</b>	DESIGN UNITS <b>METRIC</b>	THIRD ANGLE PROJECTION	
		4 PLACES ± --- ± ---	3 PLACES ± --- ± ---	DRAWN BY RWHIPPLE	DATE 2014/04/28	TITLE <b>STACKED SFP 2X8 ASS'Y WITH METAL EMI GASKET AND LIGHTPIPES</b>			
		2 PLACES ± 0.13 ± ---	1 PLACE ± 0.25 ± ---	CHECKED BY	DATE	APPROVED BY SMILLER			
		0 PLACE ± ±	ANGULAR ± 5 °	MATERIAL NO. <b>SEE SHEET 1</b>		DOCUMENT NO. <b>RSD-172670-0001</b>	SHEET NO. <b>3 OF 5</b>		
DRAFT WHERE APPLICABLE MUST REMAIN WITHIN DIMENSIONS		THIS DRAWING CONTAINS INFORMATION THAT IS PROPRIETARY TO MOLEX INCORPORATED AND SHOULD NOT BE USED WITHOUT WRITTEN PERMISSION							

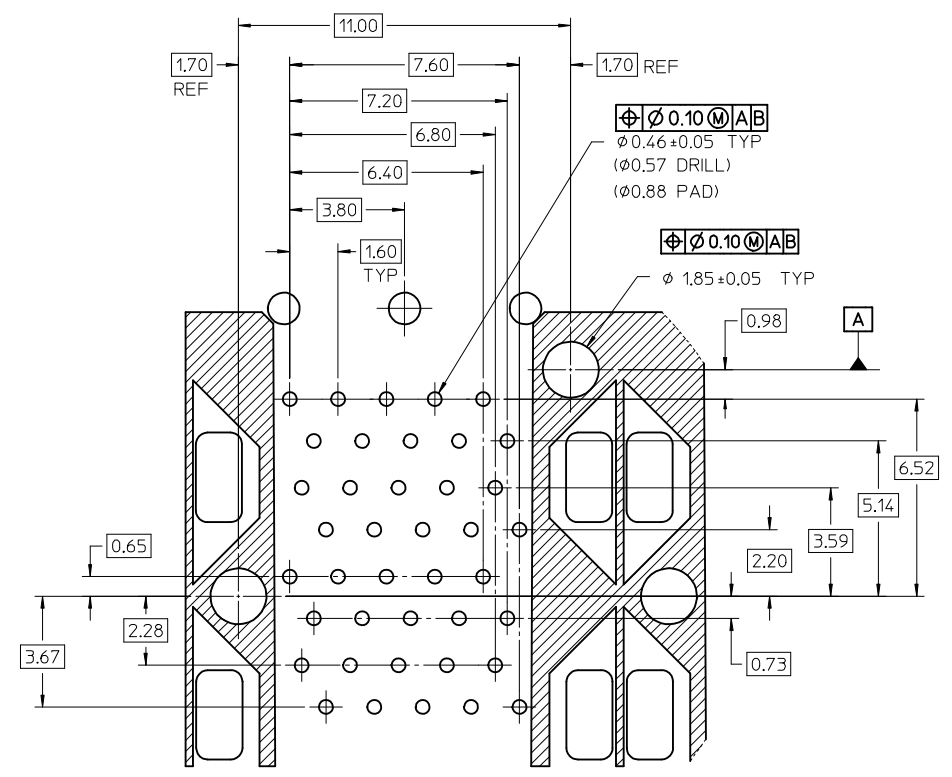


DETAIL B  
SCALE 5:1  
CIRCUIT NUMBERING  
AND LIGHTPIPE  
IDENTIFICATION



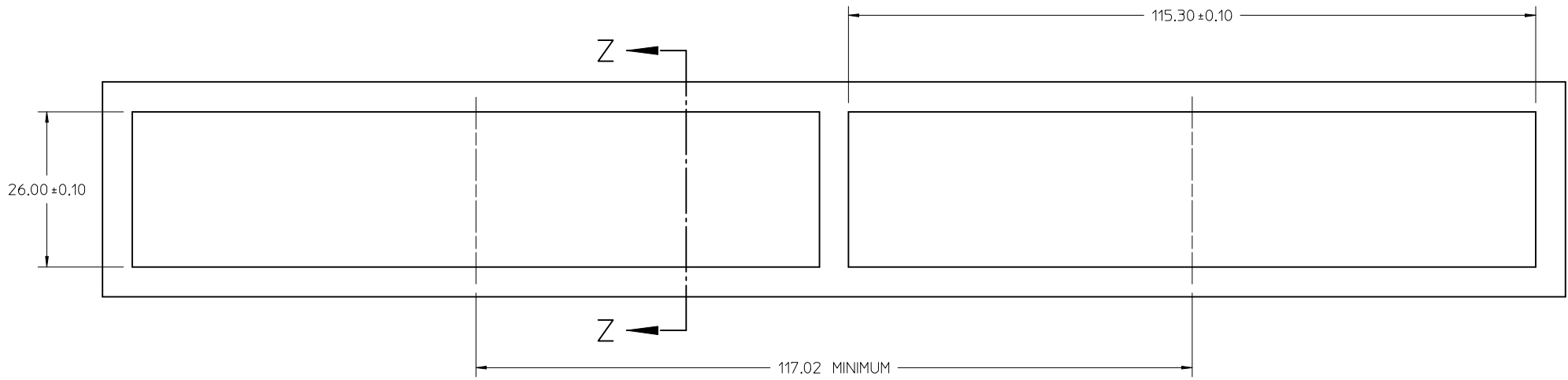
KEEP OUT ZONE DETAIL - LIGHTPIPE AND OTHER ZONES

THE HATCHED AREA IN THIS VIEW INDICATES ZONES THAT ARE OCCUPIED BY THE PLASTIC HOUSING THAT SEATS AGAINST THE PCB AND BY THE VERTICAL METAL CAGE WALL THAT STOPS JUST SHORT OF THE PCB

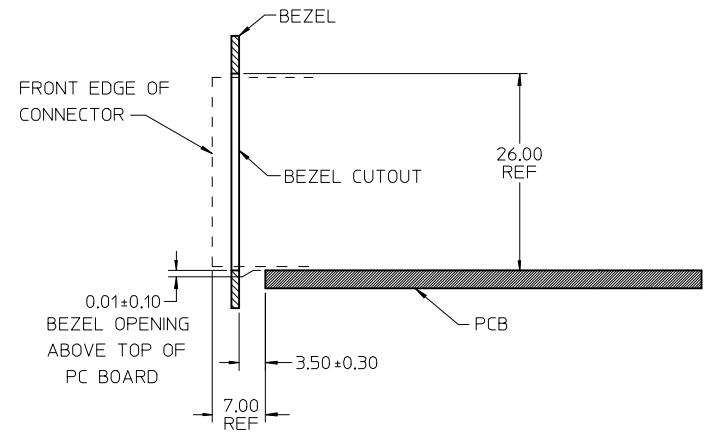


DETAIL A  
SCALE 8:1

SEE SHEET 1 EC NO: UCP2014-4484 DRAWN BY: RWHIPPLE CHKD BY: BARKER APPR: MILLER	DESCRIPTION 2014/04/28 2014/04/28 2014/08/04	QUALITY SYMBOLS	GENERAL TOLERANCES (UNLESS SPECIFIED)	DIMENSION STYLE MM ONLY	SCALE 2:1	DESIGN UNITS METRIC	THIRD ANGLE PROJECTION						
		<ul style="list-style-type: none"> <li> 4 PLACES ± --- ± ---</li> <li> 3 PLACES ± --- ± ---</li> <li> 2 PLACES ± 0.13 ± ---</li> <li> 1 PLACE ± 0.25 ± ---</li> <li> 0 PLACE ± ±</li> </ul>	<table border="1"> <thead> <tr> <th>mm</th> <th>INCH</th> </tr> </thead> <tbody> <tr> <td>± 0.13</td> <td>± 0.005</td> </tr> <tr> <td>± 0.25</td> <td>± 0.010</td> </tr> <tr> <td>± 0.50</td> <td>± 0.020</td> </tr> </tbody> </table>	mm	INCH	± 0.13	± 0.005	± 0.25	± 0.010	± 0.50	± 0.020	DRAWN BY: RWHIPPLE DATE: 2014/04/28 CHECKED BY: SMILLER DATE: 2014/08/04 APPROVED BY: SMILLER DATE: 2014/08/04	TITLE STACKED SFP 2X8 ASS'Y WITH METAL EMI GASKET AND LIGHTPIPES
mm	INCH												
± 0.13	± 0.005												
± 0.25	± 0.010												
± 0.50	± 0.020												
A	REV	ANGULAR ± 5 °	DRAFT WHERE APPLICABLE MUST REMAIN WITHIN DIMENSIONS	SIZE C	THIS DRAWING CONTAINS INFORMATION THAT IS PROPRIETARY TO MOLEX INCORPORATED AND SHOULD NOT BE USED WITHOUT WRITTEN PERMISSION								



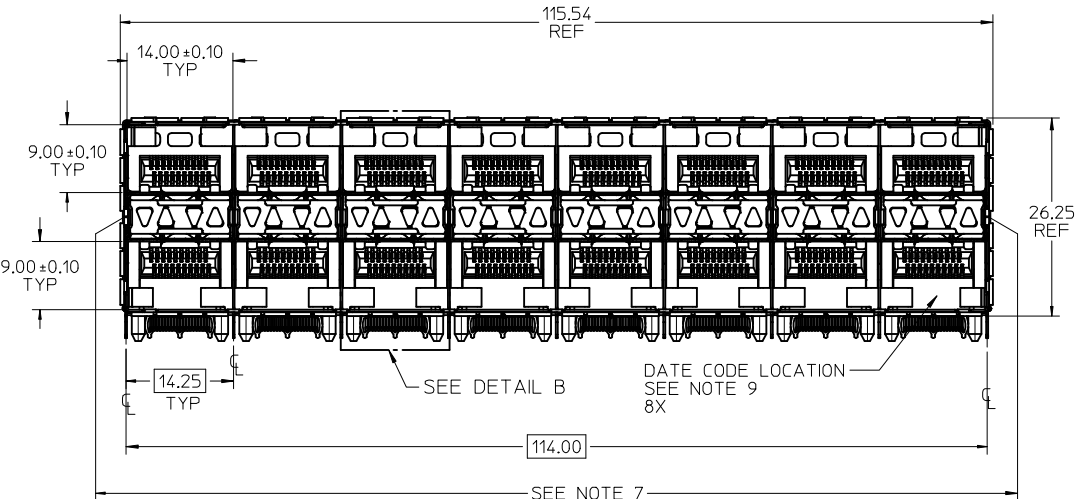
BEZEL CUT-OUT DETAIL  
RECOMMENDED BEZEL THICKNESS: 0.8MM - 2.6MM



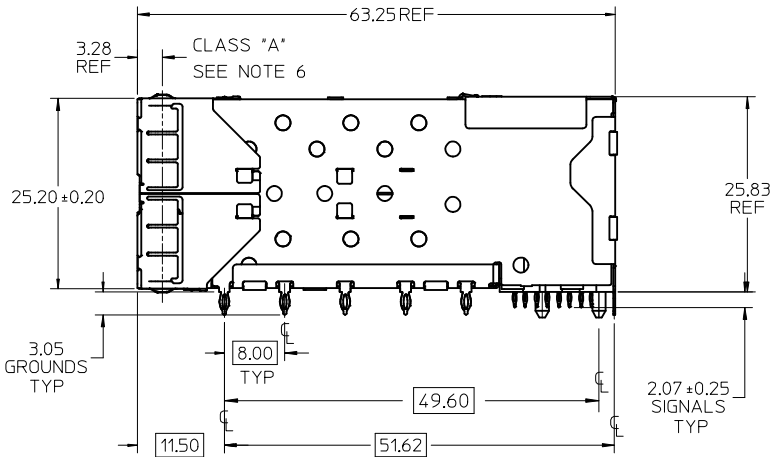
SECTION Z-Z

<b>SEE SHEET 1</b> EC NO: UCP2014-4484 DRAWN BY: RWHIPPLE 2014/04/28 CHKD BY: BARKER 2014/04/28 APPR: SMILLER 2014/08/04	QUALITY SYMBOLS = 0 = 0 = 0	GENERAL TOLERANCES (UNLESS SPECIFIED) <table border="1"> <thead> <tr> <th></th> <th>mm</th> <th>INCH</th> </tr> </thead> <tbody> <tr> <td>4 PLACES</td> <td>± 0.10</td> <td>± 0.004</td> </tr> <tr> <td>3 PLACES</td> <td>± 0.15</td> <td>± 0.006</td> </tr> <tr> <td>2 PLACES</td> <td>± 0.25</td> <td>± 0.010</td> </tr> <tr> <td>1 PLACE</td> <td>± 0.50</td> <td>± 0.020</td> </tr> <tr> <td>0 PLACE</td> <td>± 0.75</td> <td>± 0.030</td> </tr> </tbody> </table>		mm	INCH	4 PLACES	± 0.10	± 0.004	3 PLACES	± 0.15	± 0.006	2 PLACES	± 0.25	± 0.010	1 PLACE	± 0.50	± 0.020	0 PLACE	± 0.75	± 0.030	DIMENSION STYLE <b>MM ONLY</b> DRAWN BY: RWHIPPLE DATE: 2014/04/28 CHECKED BY: SMILLER DATE: 2014/08/04	SCALE: 2:1 DESIGN UNITS: METRIC THIRD ANGLE PROJECTION
		mm	INCH																			
	4 PLACES	± 0.10	± 0.004																			
	3 PLACES	± 0.15	± 0.006																			
2 PLACES	± 0.25	± 0.010																				
1 PLACE	± 0.50	± 0.020																				
0 PLACE	± 0.75	± 0.030																				
<b>SEE SHEET 1</b> DRAFT WHERE APPLICABLE MUST REMAIN WITHIN DIMENSIONS	ANGULAR ± 5°	MATERIAL NO.: <b>SEE SHEET 1</b>	APPROVED BY: SMILLER DATE: 2014/08/04	TITLE: <b>STACKED SFP 2X8 ASS'Y WITH METAL EMI GASKET AND LIGHTPIPES</b> <b>molex</b>																		
	SIZE: C	DOCUMENT NO.: <b>RSD-172670-0001</b>	SHEET NO.: <b>5 OF 5</b>	THIS DRAWING CONTAINS INFORMATION THAT IS PROPRIETARY TO MOLEX INCORPORATED AND SHOULD NOT BE USED WITHOUT WRITTEN PERMISSION																		

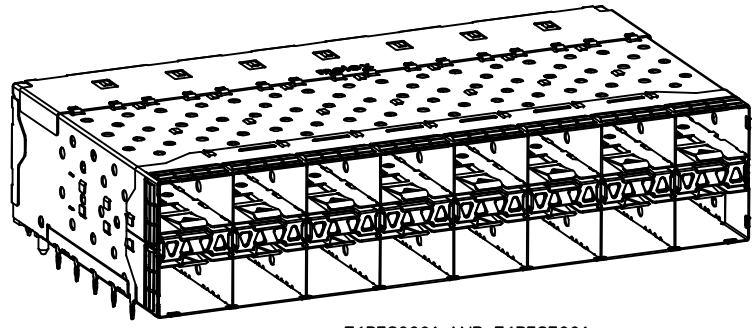
PART NUMBER	DESCRIPTION	VIEW	COMPLIANT TAIL PLATING
763520001	4 LIGHT PORTS	SEE PG 2	MATTE TIN / LEAD
763520002	INNER 2 PORTS	SEE PG 2	MATTE TIN / LEAD
763520003	OUTER 2 PORTS	SEE PG 2	MATTE TIN / LEAD
763525001	4 LIGHT PORTS	SEE PG 2	MATTE TIN
763525002	INNER 2 PORTS	SEE PG 2	MATTE TIN
763525003	OUTER 2 PORTS	SEE PG 2	MATTE TIN



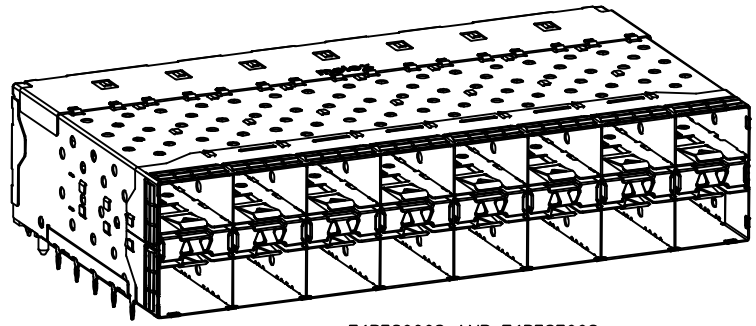
- NOTES**
- MATERIAL:**  
 CAGE: NICKEL SILVER, THICKNESS: 0.25mm  
 CONNECTOR HOUSING: GLASS FILLED LIQUID CRYSTAL POLYMER (LCP), UL 94V-0, COLOR: BLACK  
 OVERMOLD TERMINAL HOUSING: GLASS FILLED LIQUID CRYSTAL POLYMER (LCP), UL 94V-0, COLOR: BLACK  
 TERMINALS: TIN BRASS  
 EMI GASKET: PH05-BRONZE  
 LIGHTPIPE HOUSING: ZINC  
 LIGHTPIPES: POLYCARBONATE, COLOR: CLEAR
  - FINISHES:**  
 TERMINALS: CONTACT AREA: 0.76 MICROMETERS MINIMUM HARD GOLD OVER 1.27 MICROMETERS MINIMUM NICKEL.  
 COMPLIANT TAIL - MATTE TIN/LEAD OPTION: 0.76 TO 1.52 MICROMETERS 90/10 MATTE TIN-LEAD OVER 0.76 MICROMETERS MINIMUM NICKEL.  
 COMPLIANT TAIL - MATTE TIN OPTION: 0.76 TO 1.52 MICROMETERS MATTE TIN OVER 0.76 MICROMETERS MINIMUM NICKEL.  
 LIGHTPIPE HOUSING: 80 MICROMETERS MINIMUM NICKEL OVER COPPER  
 EMI GASKET: 2.54 MICROMETERS MINIMUM NICKEL OVERALL
  - REFER TO PS-75310-001 PRODUCT SPEC FOR ALL ELECTRICAL, MECHANICAL AND ENVIRONMENTAL SPECIFICATIONS.
  - LIGHTPIPE PAD LAYOUT IS FOR 0805 LOW-PROFILE LED PACKAGE, FOR OTHER RECOMMENDED LAYOUTS REFER TO MOLEX'S REPORT TS-75310-001.
  - REFER TO PK-76352-001 FOR ALL PACKAGING SPECIFICATIONS.
  - ALL EXTERIOR SURFACES TO BE CLASS "B" SURFACE EXCEPT THE UNDER SIDE OF THE CAGE WHERE THE PCB WOULD BE LOCATED AND AS NOTED, THE SURFACES TO CONFORM TO THE MOLEX COSMETIC DOC PS-45499-002.
  - THE OVERALL CAGE WIDTH AT THE VERTICAL CENTER OF THE FRONT EDGE WILL FALL WITHIN THIS DIMENSION: 114.80+/-0.30 MM. THIS PORTION OF THE CAGE WILL FLEX INWARD AS THE CAGE IS BEING INSERTED INTO THE BEZEL OPENING.
  - REFER TO AS-76090-001 FOR HIGH SPEED ROUTING RECOMMENDATIONS.
  - DATE CODE LOCATION IS SHOWN ABOVE.  
 DATE CODE FORMAT: DDDY MX A1  
 DDD = DAY OF THE YEAR  
 Y = YEAR  
 MX = MOLEX  
 A = ALPHA CHARACTER - INDICATES MANUFACTURING LINE  
 1 = NUMERIC CHARACTER - INDICATES PRODUCTION SHIFT



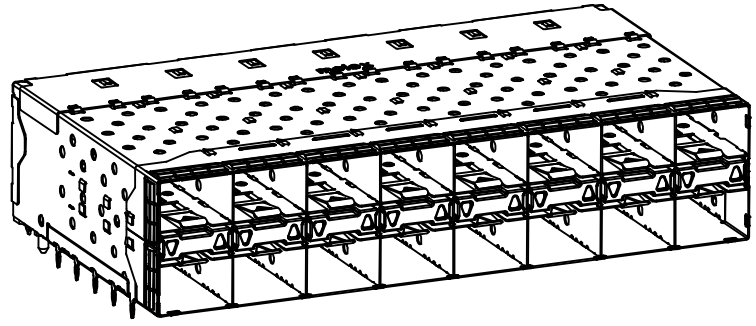
<b>CORRECT NOTES 1 &amp; 2</b> EC NO: UCP2013-3751 DRWNR:WHIPPLE 2013/03/05 CHKD:BBARKER 2013/03/05 APPR:SMILLER 2013/03/18	QUALITY SYMBOLS	GENERAL TOLERANCES (UNLESS SPECIFIED)	DIMENSION STYLE <b>MM ONLY</b>	SCALE <b>2:1</b>	DESIGN UNITS <b>METRIC</b>	THIRD ANGLE PROJECTION
	▽=0	mm INCH	DRAWN BY DATE	TITLE	<b>STACKED SFP+ 2X8 ASS'Y WITH METAL EMI GASKET AND LIGHTPIPES</b> SD-76352-001 SHEET NO. 1 OF 5	
	▽=0	4 PLACES ± --- ± ---	JLONG 06-07-2007	CHECKED BY DATE		
	▽=0	3 PLACES ± --- ± ---	JLONG 06-07-2007	APPROVED BY DATE		
▽=0	2 PLACES ± 0.13 ± ---	MBANAKIS 06-15-2007	MATERIAL NO.			
		0 PLACE ± ±	SEE TABLE	DOCUMENT NO.		
		ANGULAR ± 5 °	SIZE C	THIS DRAWING CONTAINS INFORMATION THAT IS PROPRIETARY TO MOLEX INCORPORATED AND SHOULD NOT BE USED WITHOUT WRITTEN PERMISSION		
		DRAFT WHERE APPLICABLE MUST REMAIN WITHIN DIMENSIONS				



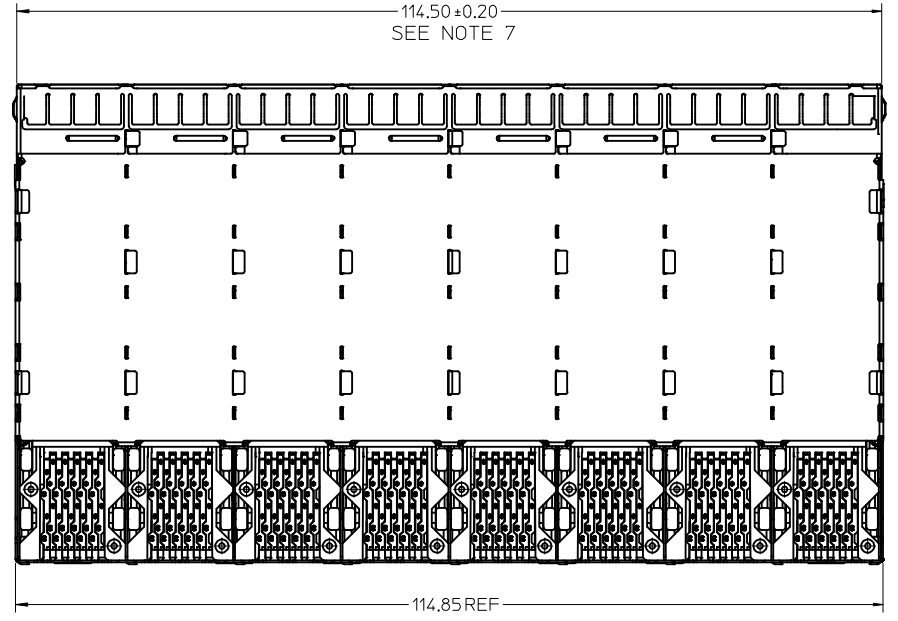
763520001 AND 763525001  
WITH INNER & OUTER LIGHTPIPE PORTS



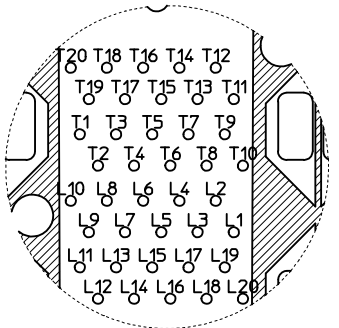
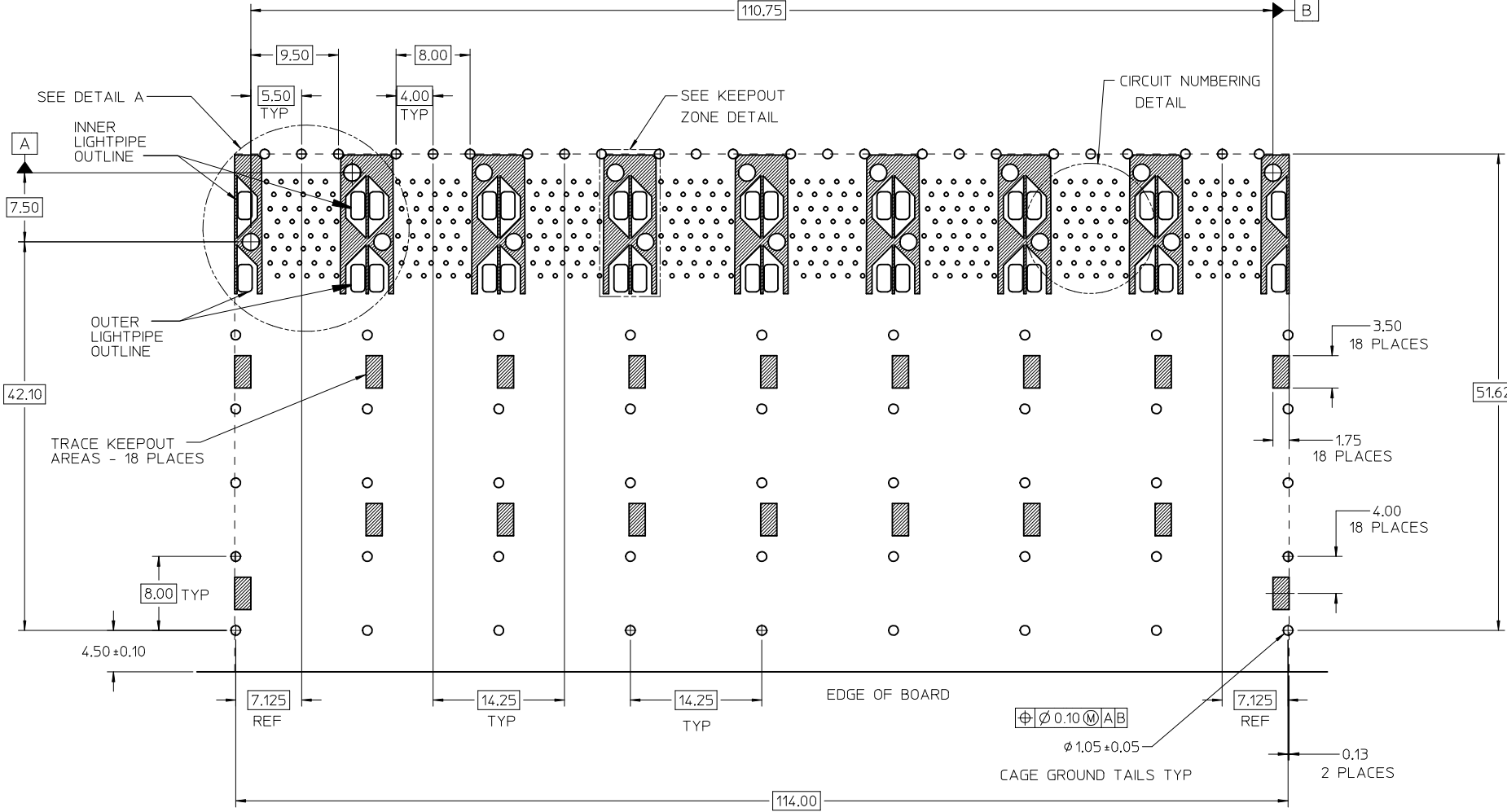
763520002 AND 763525002  
WITH INNER LIGHTPIPE PORTS



763520003 AND 763525003  
WITH OUTER LIGHTPIPE PORTS



SEE SHEET 1 EC NO: UCP2013-3751 TDR:WHP/2013/03/05 CHKD:BBK/2013/03/05 APPR:SM/2013/03/18	QUALITY SYMBOLS ∇=0 ∇=0 ∇=0	GENERAL TOLERANCES (UNLESS SPECIFIED) <table border="1"> <thead> <tr> <th></th> <th>mm</th> <th>INCH</th> </tr> </thead> <tbody> <tr> <td>4 PLACES</td> <td>± ---</td> <td>± ---</td> </tr> <tr> <td>3 PLACES</td> <td>± ---</td> <td>± ---</td> </tr> <tr> <td>2 PLACES</td> <td>± 0.13</td> <td>± ---</td> </tr> <tr> <td>1 PLACE</td> <td>± 0.25</td> <td>± ---</td> </tr> <tr> <td>0 PLACE</td> <td>±</td> <td>±</td> </tr> </tbody> </table>		mm	INCH	4 PLACES	± ---	± ---	3 PLACES	± ---	± ---	2 PLACES	± 0.13	± ---	1 PLACE	± 0.25	± ---	0 PLACE	±	±	DIMENSION STYLE <b>MM ONLY</b> DRAWN BY: JLONG DATE: 06-07-2007 CHECKED BY: JLONG DATE: 06-07-2007 APPROVED BY: MBANAKIS DATE: 06-15-2007	SCALE: 2:1 DESIGN UNITS: METRIC THIRD ANGLE PROJECTION	TITLE: STACKED SFP+ 2X8 ASS'Y WITH METAL EMI GASKET AND LIGHTPIPES <b>molex</b> DOCUMENT NO. SD-76352-001 SHEET NO. 2 OF 5
		mm	INCH																				
	4 PLACES	± ---	± ---																				
	3 PLACES	± ---	± ---																				
2 PLACES	± 0.13	± ---																					
1 PLACE	± 0.25	± ---																					
0 PLACE	±	±																					
DESCRIPTION: SEE SHEET 1	MATERIAL NO.	ANGULAR ± 5 °	SEE SHEET 1	THIS DRAWING CONTAINS INFORMATION THAT IS PROPRIETARY TO MOLEX INCORPORATED AND SHOULD NOT BE USED WITHOUT WRITTEN PERMISSION																			
DRAFT WHERE APPLICABLE MUST REMAIN WITHIN DIMENSIONS	SIZE: C	DRAFT WHERE APPLICABLE MUST REMAIN WITHIN DIMENSIONS	SEE SHEET 1	THIS DRAWING CONTAINS INFORMATION THAT IS PROPRIETARY TO MOLEX INCORPORATED AND SHOULD NOT BE USED WITHOUT WRITTEN PERMISSION																			
REV:	DESCRIPTION:	DRAFT WHERE APPLICABLE MUST REMAIN WITHIN DIMENSIONS	SEE SHEET 1	THIS DRAWING CONTAINS INFORMATION THAT IS PROPRIETARY TO MOLEX INCORPORATED AND SHOULD NOT BE USED WITHOUT WRITTEN PERMISSION																			

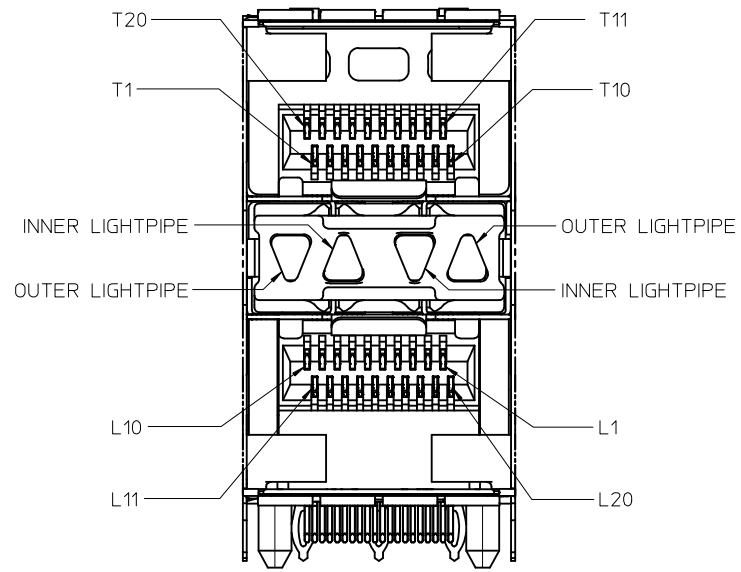


CIRCUIT NUMBERING  
COMPONENT SIDE OF BOARD

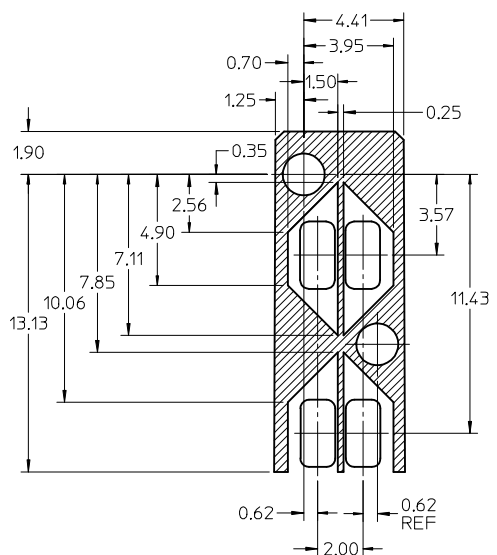
RECOMMENDED PCB LAYOUT - COMPONENT SIDE  
 RECOMMENDED PCB THICKNESS - 2.63 MM (.093 INCH)  
 THE ENTIRE AREA OF THE CONNECTOR FOOTPRINT  
 TO BE CONSIDERED THE KEEP OUT AREA FOR COMPONENTS  
 (OTHER THAN LIGHTPIPE LED'S)  
 THIS AREA IS INDICATED BY THE DASHED LINE

SEE SHEET 1 EC NO: UCP2013-3751 DRAWN: RWHIPPLE 2013/03/05 CHKD: BBARKER 2013/03/05 APPR: SMILLER 2013/03/18	QUALITY SYMBOLS ▽=0 ▽=0 ▽=0	GENERAL TOLERANCES (UNLESS SPECIFIED)		DIMENSION STYLE MM ONLY		SCALE 3:1	DESIGN UNITS METRIC	THIRD ANGLE PROJECTION
		4 PLACES ± --- ± --- 3 PLACES ± --- ± --- 2 PLACES ± 0.13 ± --- 1 PLACE ± 0.25 ± --- 0 PLACE ± ±		DRAWN BY DATE JLONG 06-07-2007 CHECKED BY DATE JLONG 06-07-2007 APPROVED BY DATE MBANAKIS 06-15-2007		TITLE STACKED SFP+ 2X8 ASS'Y WITH METAL EMI GASKET AND LIGHTPIPES	DOCUMENT NO. SD-76352-001	SHEET NO. 3 OF 5
DRAFT WHERE APPLICABLE MUST REMAIN WITHIN DIMENSIONS		ANGULAR ± 5 °		SEE SHEET 1		THIS DRAWING CONTAINS INFORMATION THAT IS PROPRIETARY TO MOLEX INCORPORATED AND SHOULD NOT BE USED WITHOUT WRITTEN PERMISSION		



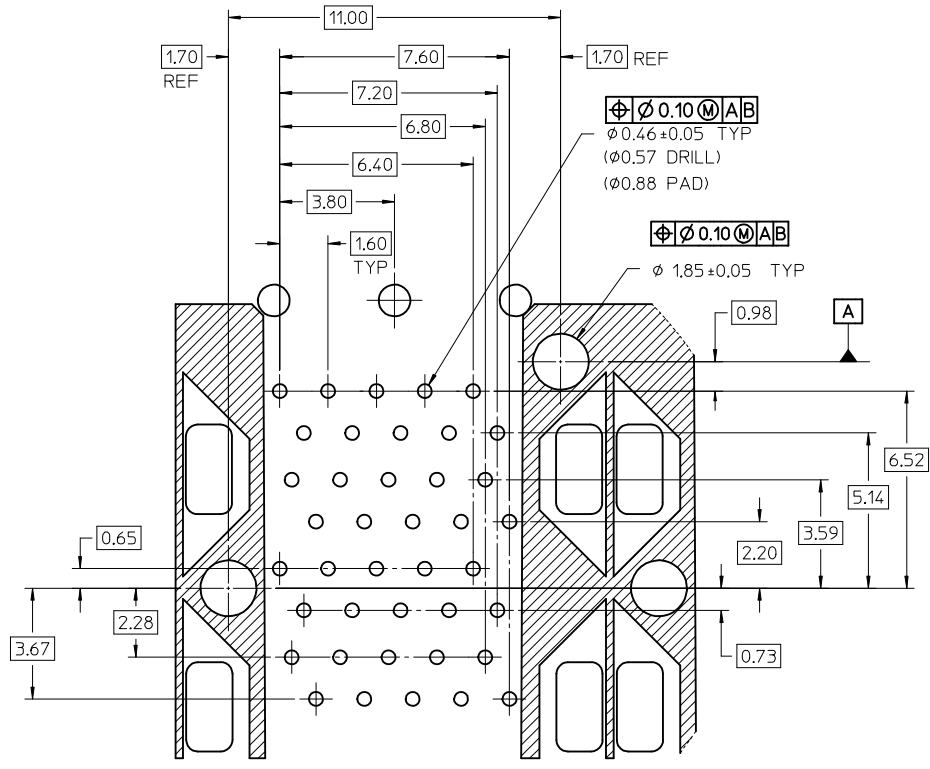


DETAIL B  
SCALE 5:1  
CIRCUIT NUMBERING  
AND LIGHTPIPE  
IDENTIFICATION



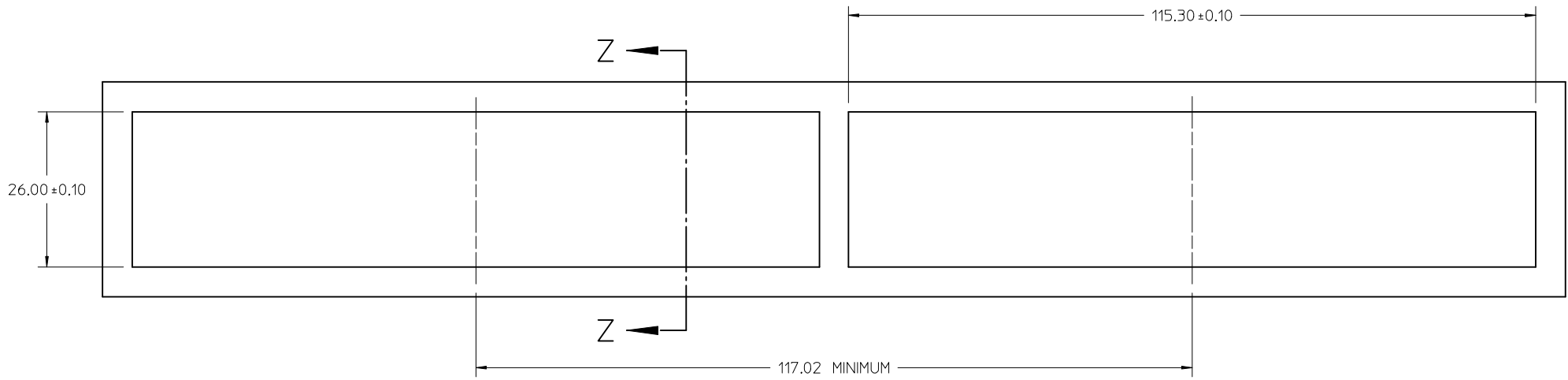
KEEP OUT ZONE DETAIL - LIGHTPIPE AND OTHER ZONES

THE HATCHED AREA IN THIS VIEW INDICATES ZONES THAT ARE OCCUPIED BY THE PLASTIC HOUSING THAT SEATS AGAINST THE PCB AND BY THE VERTICAL METAL CAGE WALL THAT STOPS JUST SHORT OF THE PCB

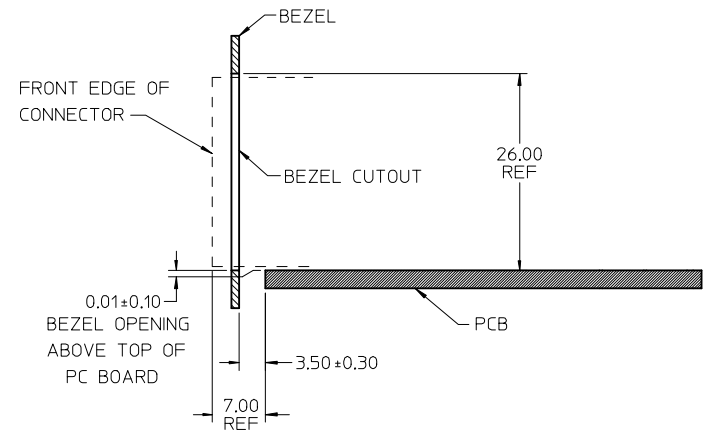


DETAIL A  
SCALE 8:1

SEE SHEET 1 EC NO: UCP2013-3751 TDRW:RWHIPPLE 2013/03/05 CHKD:BBARKER 2013/03/05 APPR:SMILLER 2013/03/18	QUALITY SYMBOLS ▽=0 ▽=0 ▽=0	GENERAL TOLERANCES (UNLESS SPECIFIED)		DIMENSION STYLE <b>MM ONLY</b>	SCALE <b>2:1</b>	DESIGN UNITS <b>METRIC</b>	THIRD ANGLE PROJECTION
		mm	INCH	DRAWN BY JLONG	DATE 06-07-2007	TITLE <b>STACKED SFP+ 2X8 ASS'Y WITH METAL EMI GASKET AND LIGHTPIPES</b>	
REV	DESCRIPTION	4 PLACES	± ---	± ---	CHECKED BY JLONG	DATE 06-07-2007	DOCUMENT NO. <b>SD-76352-001</b>
		3 PLACES	± ---	± ---	APPROVED BY MBANAKIS	DATE 06-15-2007	
		2 PLACES	± 0.13	± ---	MATERIAL NO.		SHEET NO. 4 OF 5
		1 PLACE	± 0.25	± ---	SEE SHEET 1		
		0 PLACE	±	±	THIS DRAWING CONTAINS INFORMATION THAT IS PROPRIETARY TO MOLEX INCORPORATED AND SHOULD NOT BE USED WITHOUT WRITTEN PERMISSION		
		ANGULAR ± 5 °		DRAFT WHERE APPLICABLE MUST REMAIN WITHIN DIMENSIONS			



BEZEL CUT-OUT DETAIL  
RECOMMENDED BEZEL THICKNESS: 0.8MM - 2.6MM



SECTION Z-Z

SEE SHEET 1 EC NO: UCP2013-3751 TDR: WRM/HP/PLE 2013/03/05 CHKD: BBARKER 2013/03/05 APPR: SMILLER 2013/03/18	QUALITY SYMBOLS	GENERAL TOLERANCES (UNLESS SPECIFIED)	DIMENSION STYLE	SCALE	DESIGN UNITS	THIRD ANGLE PROJECTION	
	▽=0	mm INCH	MM ONLY	2:1	METRIC	☉	
	▽=0	4 PLACES ± --- ± ---	DRAWN BY DATE	JLONG 06-07-2007	TITLE		STACKED SFP+ 2X8 ASS'Y WITH METAL EMI GASKET AND LIGHTPIPES <b>molex</b>
	▽=0	3 PLACES ± --- ± ---	CHECKED BY DATE	JLONG 06-07-2007	DOCUMENT NO.		
	▽=0	1 PLACE ± 0.13 ± ---	APPROVED BY DATE	MBANAK I S 06-15-2007	SD-76352-001		SHEET NO.
▽=0	0 PLACE ± ±	MATERIAL NO.	SEE SHEET 1	SD-76352-001		5 OF 5	
REV	DESCRIPTION	ANGULAR ± 5 °	SIZE	THIS DRAWING CONTAINS INFORMATION THAT IS PROPRIETARY TO MOLEX INCORPORATED AND SHOULD NOT BE USED WITHOUT WRITTEN PERMISSION			
		DRAFT WHERE APPLICABLE MUST REMAIN WITHIN DIMENSIONS	C				