

MATERIAL NUMBER	#OF COLUMNS	# OF DIFF PAIR	DIM "A" MAX	DIM "B"	PTH $\phi$
170468-*8**	8	24	22.80	13.30	0.46±0.05
170468-*1**	10	30	26.60	17.10	0.46±0.05
170468-*6**	16	48	38.00	28.50	0.46±0.05
170468-*8**	8	24	22.80	13.30	0.39±0.05
170468-*1**	10	30	26.60	17.10	0.39±0.05
170468-*6**	16	48	38.00	28.50	0.39±0.05

MODULE & TAIL PLATING TYPE  
 5 = RIGHT GUIDED LEAD-FREE  
 9 = RIGHT GUIDED LEAD-FREE W/ ENDWALL

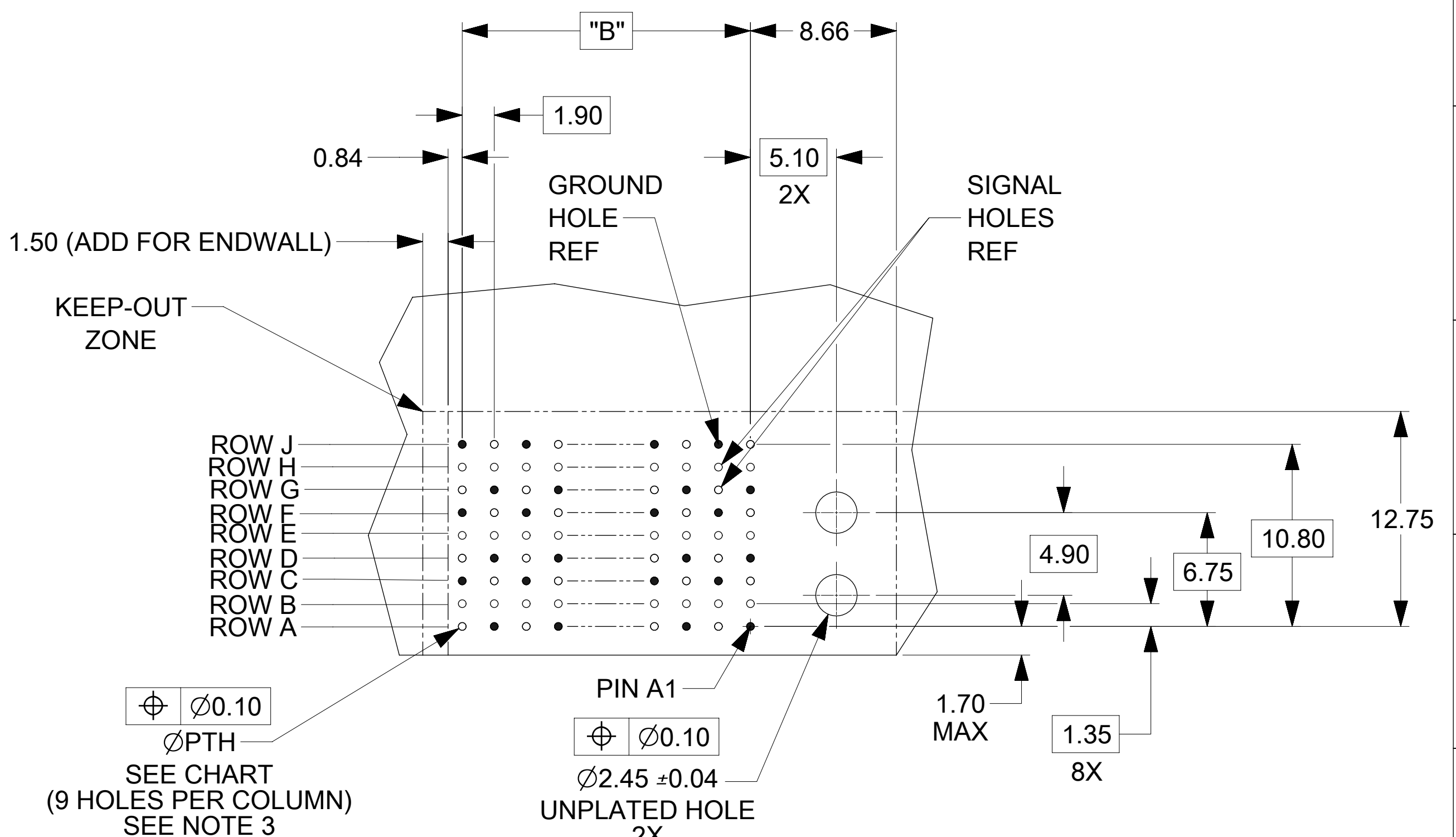
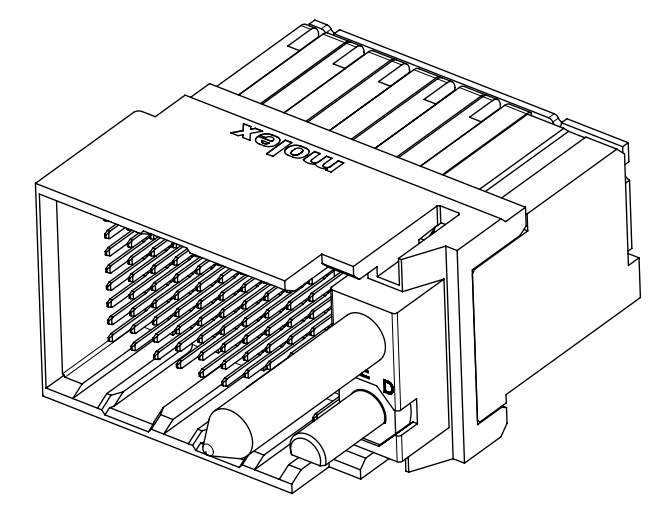
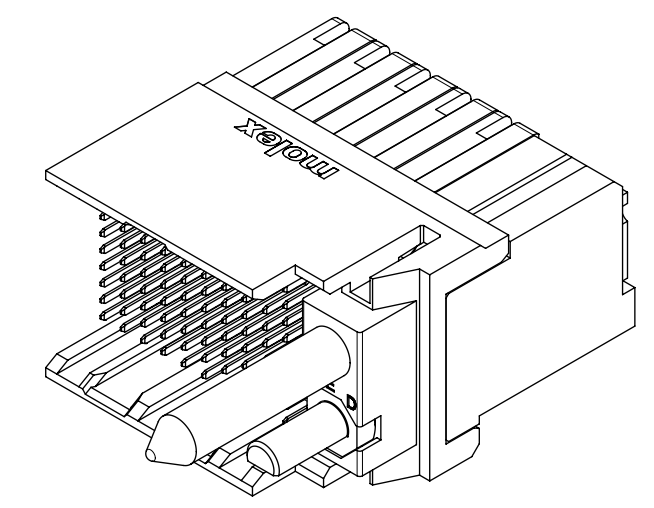
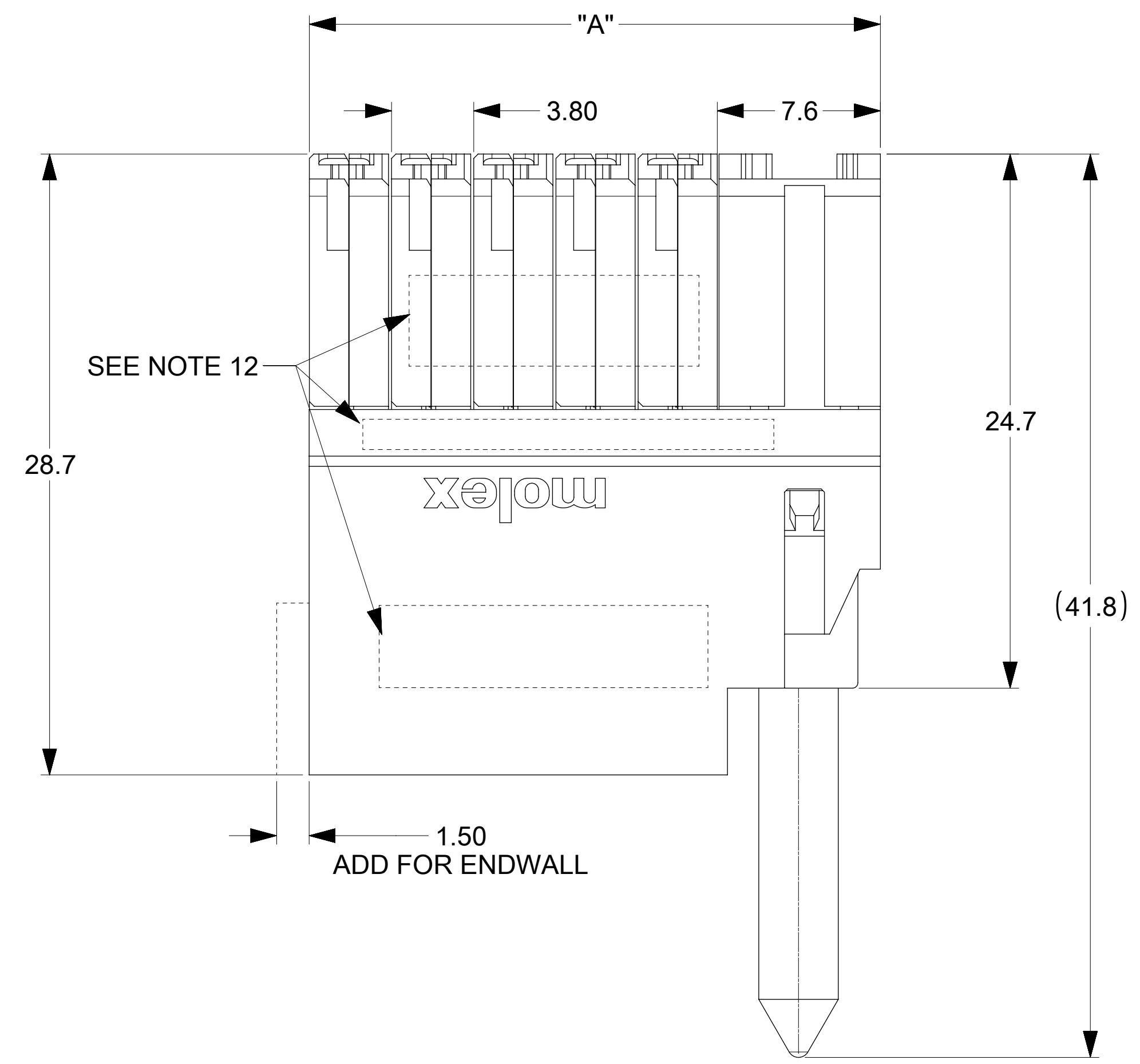
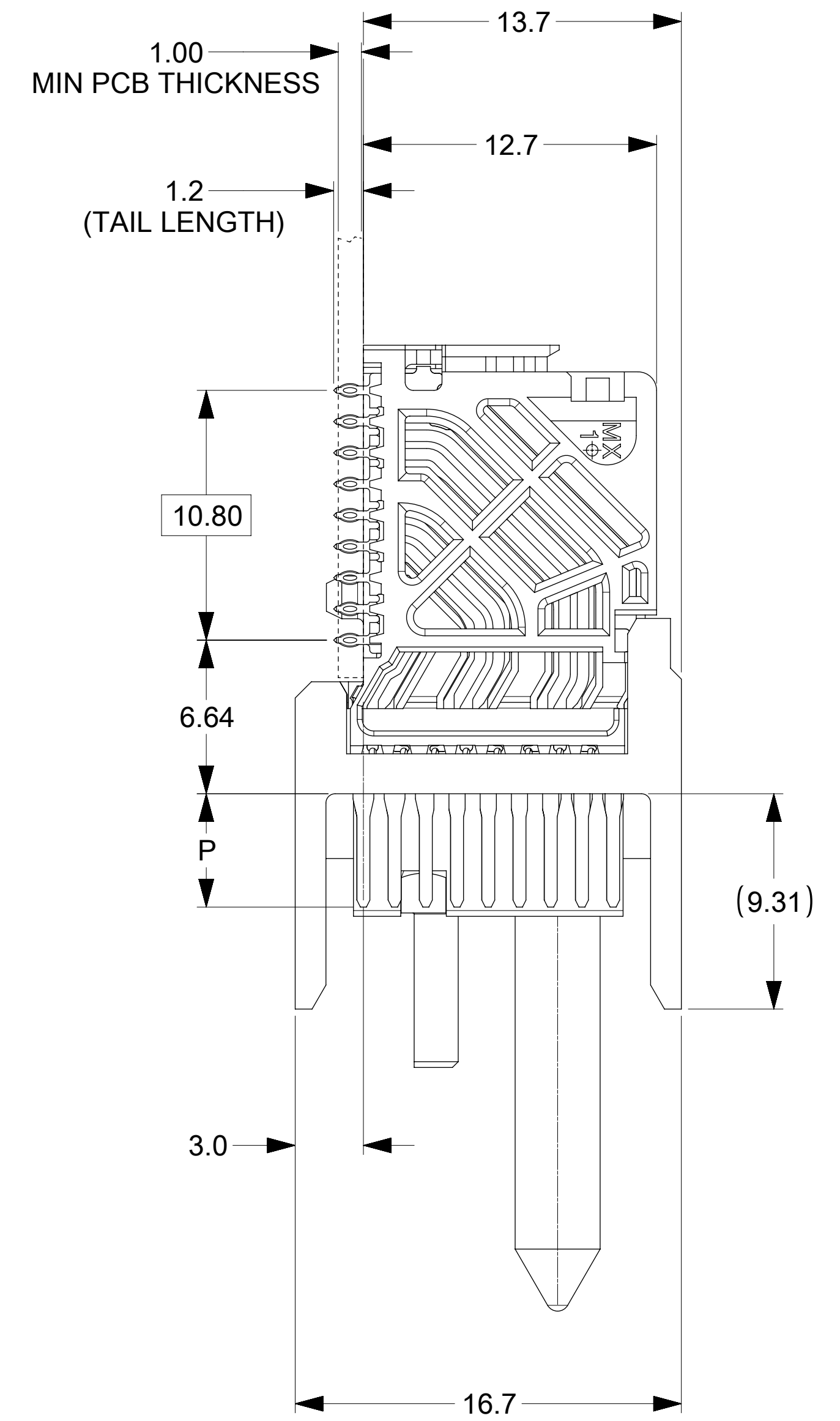
# OF COLUMNS  
 1 = 10 COL  
 6 = 16 COL  
 8 = 8 COL

POLARIZATION KEY ORIENTATION  
 0 = NO KEY  
 1 = A    5 = E  
 2 = B    6 = F  
 3 = C    7 = G  
 4 = D    8 = H

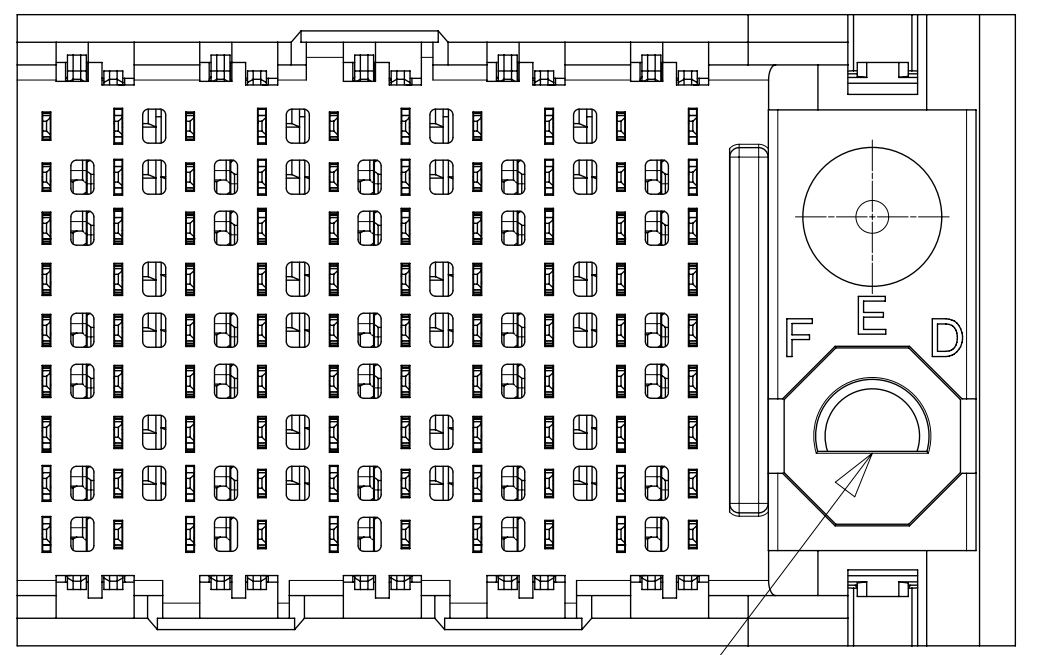
PIN LENGTH (P)  
 4 = 4.90 (0.46 PTH)  
 5 = 5.50 (0.46 PTH)  
 7 = 4.90 (0.39 PTH)  
 8 = 5.50 (0.39 PTH)

NOTES:

- MATERIALS: HOUSING - LIQUID CRYSTAL POLYMER (LCP), GLASS-FILLED, UL94V-0  
 TERMINALS - HIGH PERFORMANCE COPPER ALLOY
- FINISH: 10μIN SELECTIVE GOLD IN CONTACT AREA, SELECTIVE TIN ON PCB TAILS. NICKEL OVERALL.
- REFER TO MOLEX PRODUCT SPECIFICATION PS-76060-999 FOR PERFORMANCE SPECIFICATIONS AND ADDITIONAL PCB INFORMATION.
- EACH SIGNAL WAFER CONTAINS 2 COLUMNS OF TERMINALS.
- PRODUCT IS PACKAGED PER PK-70873-762.
- THIS PART CONFORMS TO CLASS B REQUIREMENTS OF COSMETIC SPEC PS-45499-002.
- REFER TO MOLEX SALES DRAWING SD-170467-0002 FOR THE MATING RECEPTACLES.
- REFER TO MOLEX PCB ROUTING GUIDE AS-76060-990 FOR ANTIPAD AND ROUTING RECOMMENDATIONS.
- MOLEX TO SUPPLY #2-23 SCREW 73726-0000. FOR BOARD THICKNESS AND OTHER SCREW INFORMATION. REFER TO IMPACT BACKPLANE SYSTEM SCREW DESIGN GUIDE AS-76060-9999.
- GUIDE RIGHT RAM MATES WITH A GUIDE LEFT DAUGHTERCARD.
- OPEN END VERSION SHOWN FOR CLARITY.
- MARKING: LOCATED APPROXIMATELY AS SHOWN. PART NUMBER AND DATE CODE.



RAM HOLE PATTERN  
(CONNECTOR SIDE)



KEY SHOWN  
IN POSITION A

THIS DRAWING CONTAINS INFORMATION THAT IS PROPRIETARY TO MOLEX ELECTRONIC TECHNOLOGIES, LLC AND SHOULD NOT BE USED WITHOUT WRITTEN PERMISSION

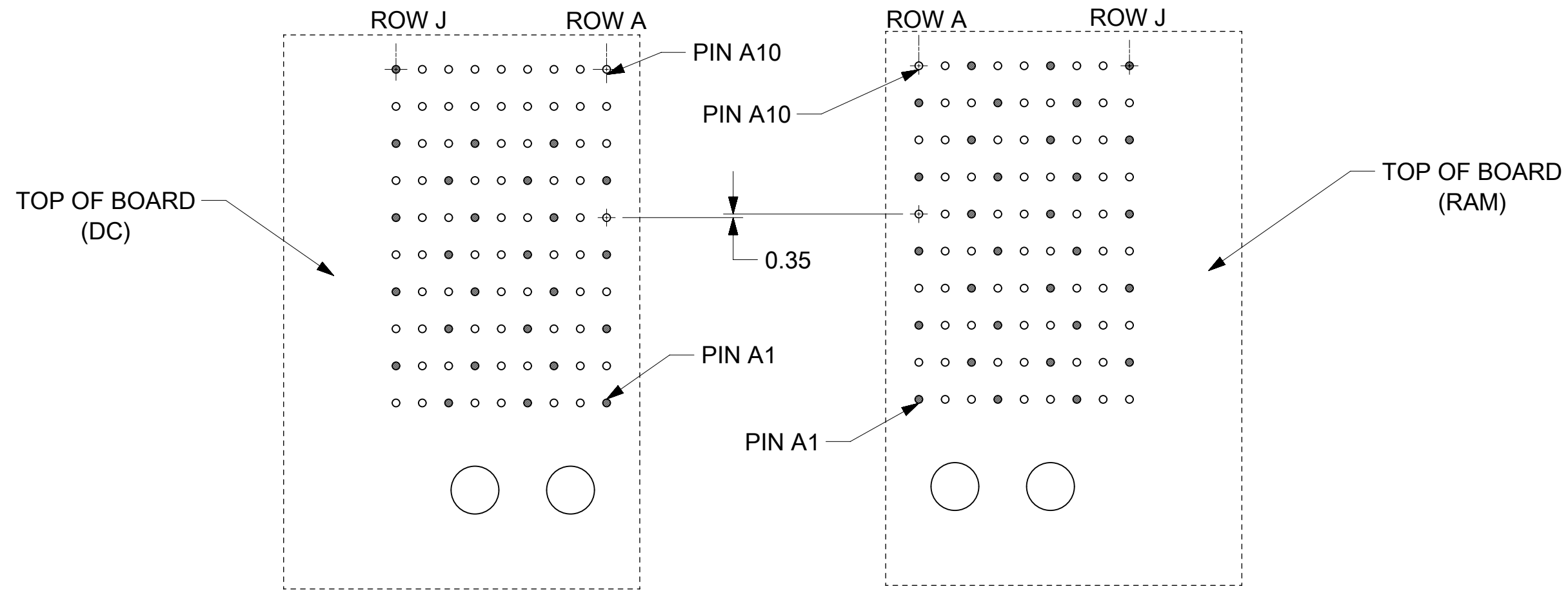
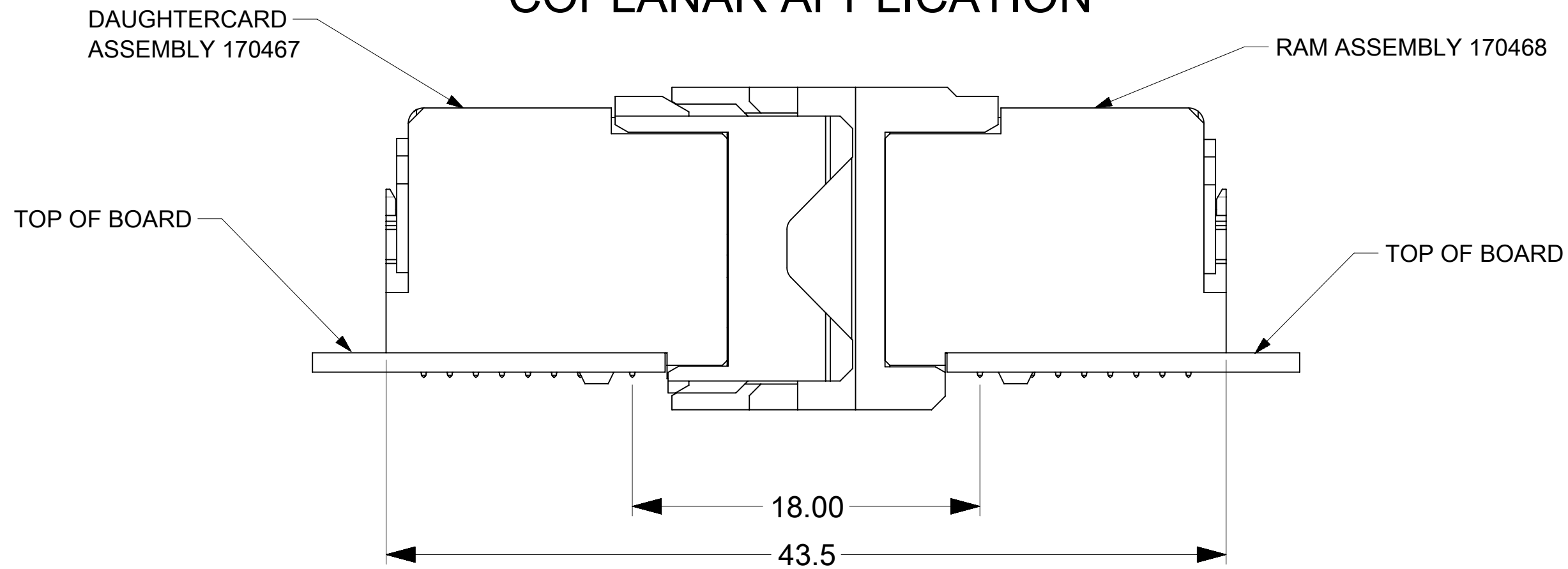
DIMENSION UNITS: mm	SCALE: NTS	CURRENT REV DESC: REVISED NOTE 9	
GENERAL TOLERANCES (UNLESS SPECIFIED)		EC NO: 623439	
ANGULAR TOL	± 0.5°	DRWN: JSGOH01	2019/09/02
4 PLACES	±	CHK'D: SHONG	2019/09/16
3 PLACES	±	APPR: SHONG	2019/09/16
2 PLACES	± 0.13	INITIAL REVISION:	
1 PLACE	± 0.25	DRWN: DVARVARA	2013/06/20
0 PLACES	±	APPR: DVARVARA	2013/06/20
DRAFT WHERE APPLICABLE MUST REMAIN WITHIN DIMENSIONS		THIRD ANGLE PROJECTION	DRAWING: D-SIZE
		SERIES: 170468	MATERIAL NUMBER: SEE CHART
		CUSTOMER: GENERAL MARKET	SHEET NUMBER: 1 OF 2

IMPACT 3-PAIR 100-OHM  
GUIDE RIGHT RAM SIGNAL SALES DWG, MAPS

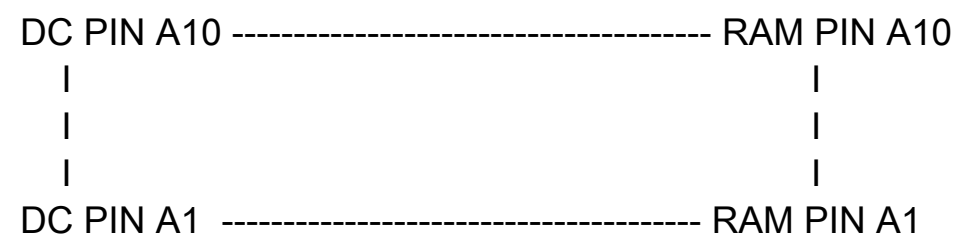
PRODUCT CUSTOMER DRAWING


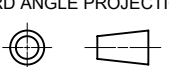
DOCUMENT NUMBER: SD-170468-0004    DOC TYPE: PSD    DOC PART: 001    REVISION: A4

# COPLANAR APPLICATION



## COPLANAR MATED SIGNAL PATHS



THIS DRAWING CONTAINS INFORMATION THAT IS PROPRIETARY TO MOLEX ELECTRONIC TECHNOLOGIES, LLC AND SHOULD NOT BE USED WITHOUT WRITTEN PERMISSION									
DIMENSION UNITS		SCALE		CURRENT REV DESC: REVISED NOTE 9					
mm		NTS		 IMPACT 3-PAIR 100-OHM GUIDE RIGHT RAM SIGNAL SALES DWG, MAPS PRODUCT CUSTOMER DRAWING					
GENERAL TOLERANCES (UNLESS SPECIFIED)									
ANGULAR TOL		± 0.5°							
4 PLACES		±							
3 PLACES		±							
2 PLACES		± 0.13		EC NO: 623439		2019/09/02		2019/09/16	
1 PLACE		± 0.25		DRWN: JSGOH01		2019/09/16		2019/09/16	
0 PLACES		±		APPR: SHONG		2019/09/16		INITIAL REVISION:	
DRAFT WHERE APPLICABLE MUST REMAIN WITHIN DIMENSIONS				THIRD ANGLE PROJECTION		DRAWING		SERIES	
						C-SIZE		170468	
DOCUMENT STATUS				P1		RELEASE DATE		2019/09/16 11:16:37	
SD-170468-0004		PSD		001		A4		SHEET NUMBER	
SEE CHART		GENERAL MARKET		2 OF 2					

MATERIAL NUMBER	# OF COLUMNS	# OF DIFF PAIR	DIM "A" MAX	DIM "B"	PTH $\varnothing$
76410-*8**	8	24	22.80	13.30	0.46 $\pm$ 0.05
76410-*1**	10	30	26.60	17.10	0.46 $\pm$ 0.05
76410-*4**	14	42	34.20	24.70	0.46 $\pm$ 0.05
76410-*6**	16	48	38.00	28.50	0.46 $\pm$ 0.05
76410-*8**	8	24	22.80	13.30	0.39 $\pm$ 0.05
76410-*1**	10	30	26.60	17.10	0.39 $\pm$ 0.05
76410-*4**	14	42	34.20	24.70	0.39 $\pm$ 0.05
76410-*6**	16	48	38.00	28.50	0.39 $\pm$ 0.05

**76410-\*\*\***

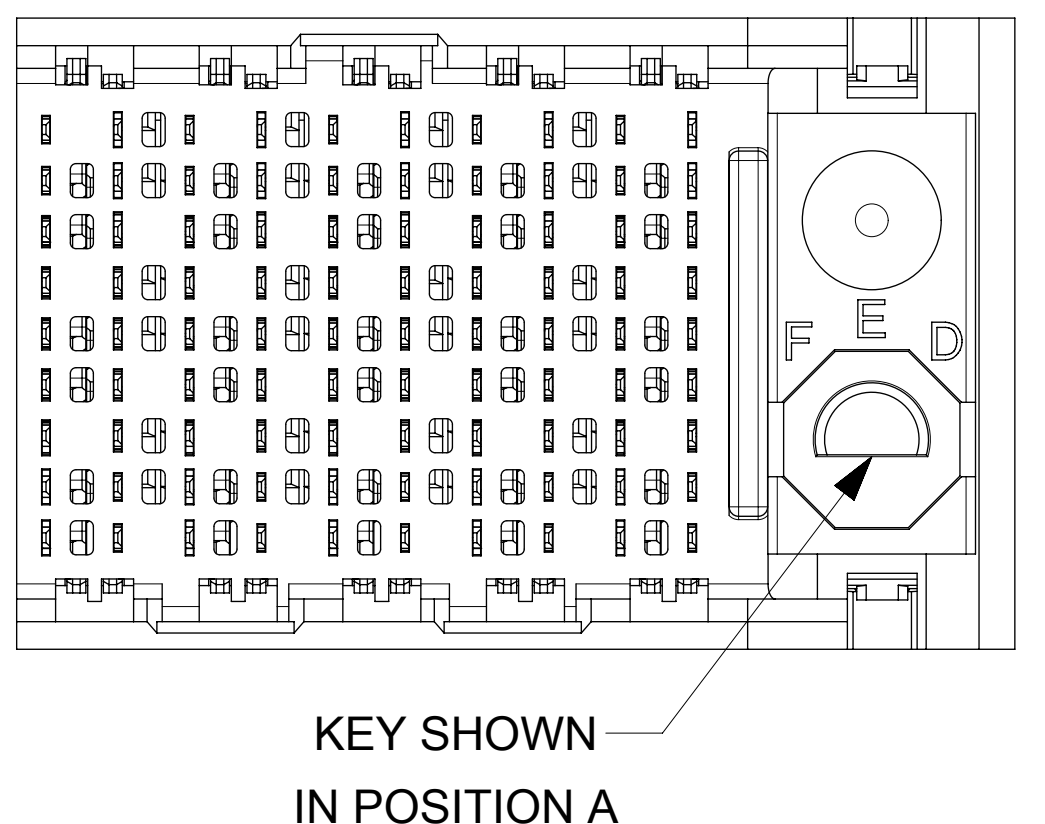
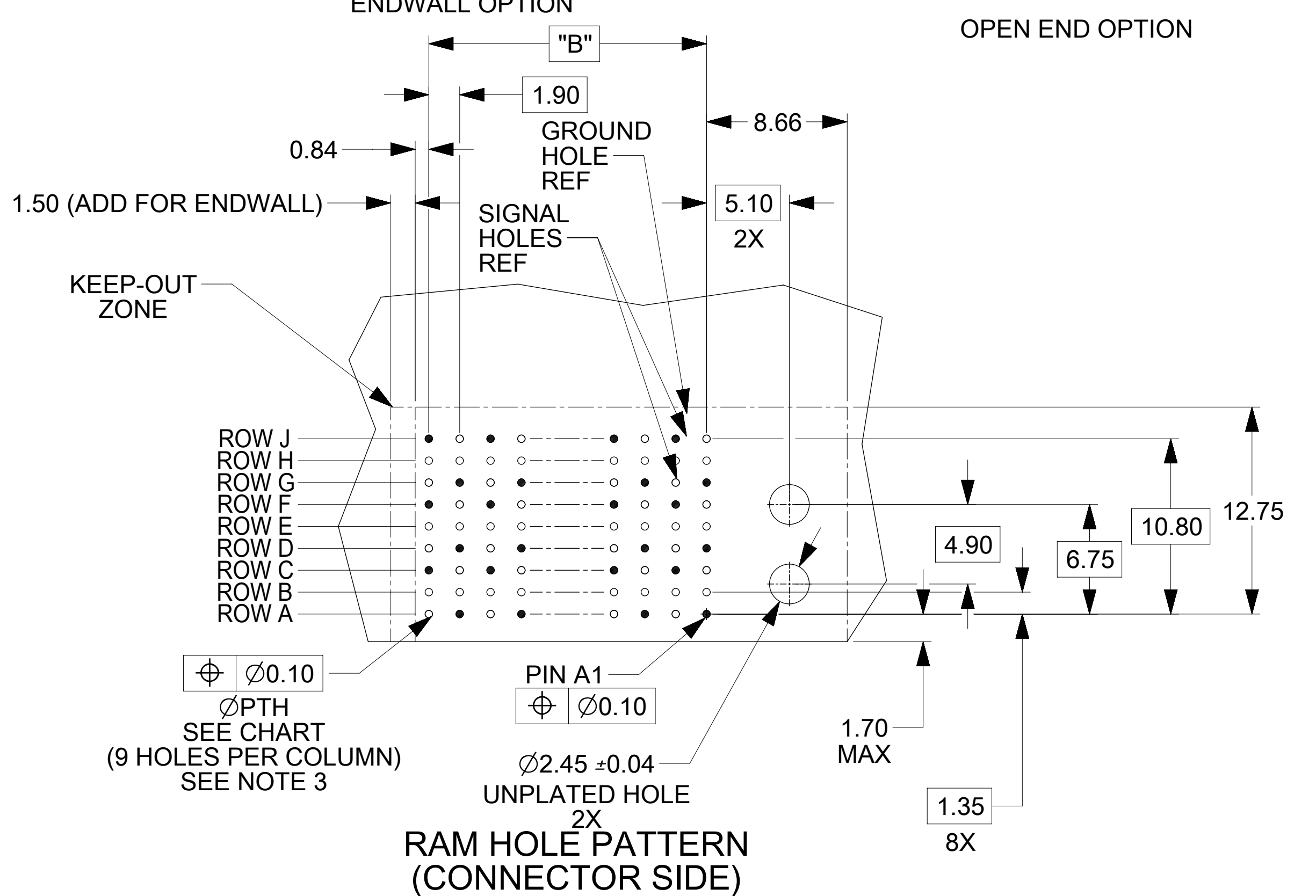
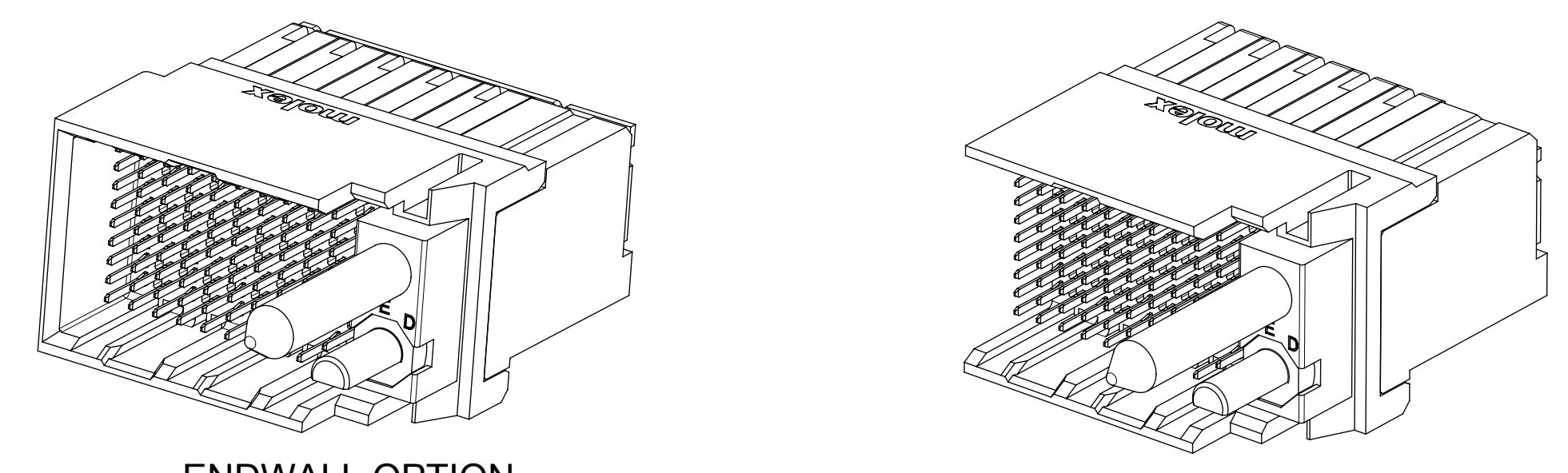
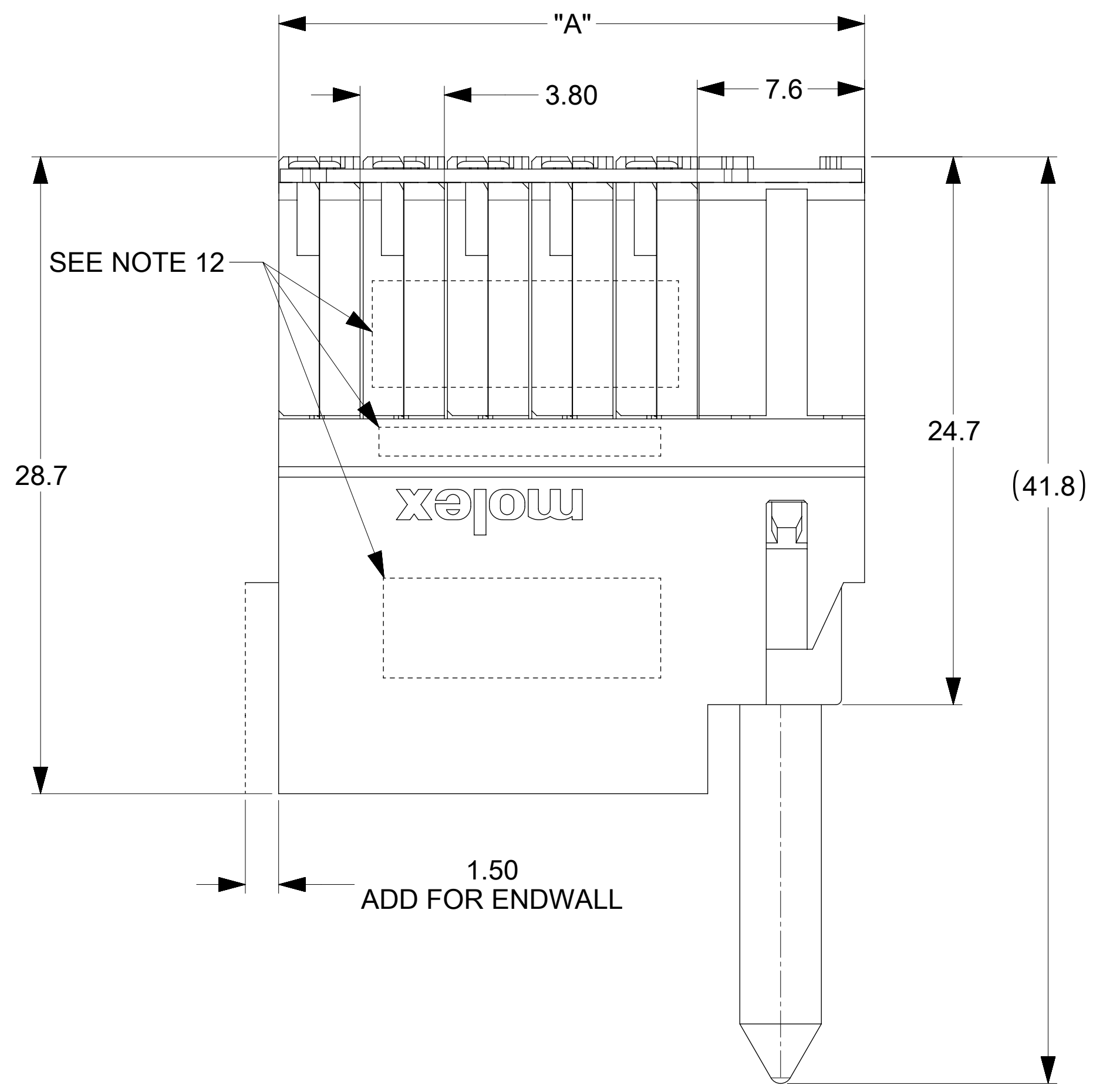
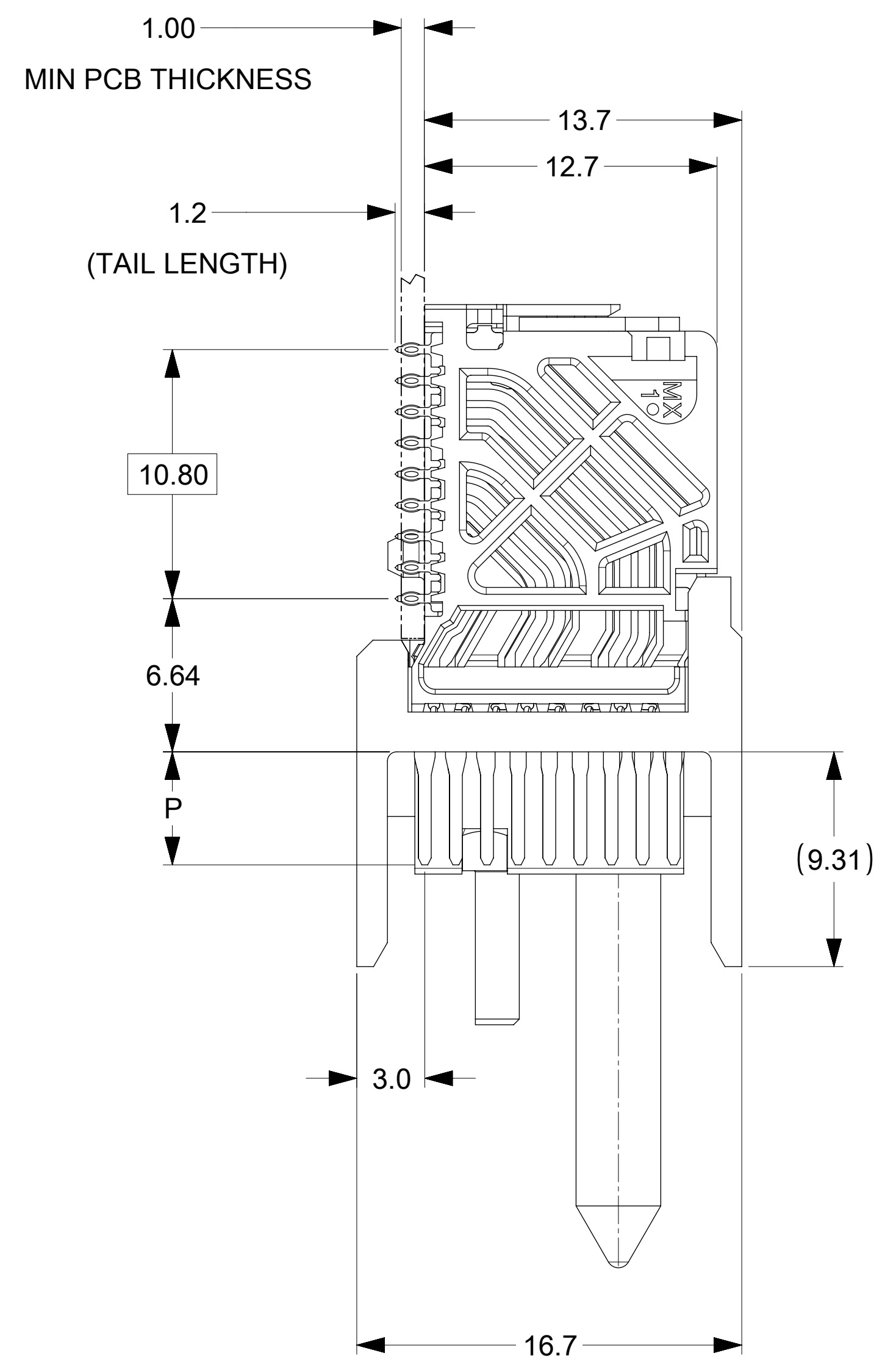
MODULE & TAIL PLATING TYPE  
 5 = RIGHT GUIDED LEAD-FREE  
 9 = RIGHT GUIDED LEAD-FREE W/ ENDWALL

PIN LENGTH (P)  
 4 = 4.90 (0.46 PTH)  
 5 = 5.50 (0.46 PTH)  
 7 = 4.90 (0.39 PTH)  
 8 = 5.50 (0.39 PTH)

# OF COLUMNS  
 1 = 10 COL  
 4 = 14 COL  
 6 = 16 COL  
 8 = 8 COL

POLARIZATION KEY ORIENTATION  
 0 = NO KEY  
 1 = A    5 = E  
 2 = B    6 = F  
 3 = C    7 = G  
 4 = D    8 = H

- NOTES:
- MATERIALS: HOUSING - LIQUID CRYSTAL POLYMER (LCP), GLASS-FILLED, UL94V-0  
TERMINALS - HIGH PERFORMANCE COPPER ALLOY
  - FINISH: 30uIN SELECTIVE GOLD IN CONTACT AREA, SELECTIVE TIN ON PCB TAILS. NICKEL OVERALL.
  - REFER TO MOLEX PRODUCT SPECIFICATION PS-76060-999 FOR PERFORMANCE SPECIFICATIONS AND ADDITIONAL PCB INFORMATION.
  - EACH SIGNAL WAFER CONTAINS 2 COLUMNS OF TERMINALS.
  - PRODUCT IS PACKAGED PER PK-70873-762.
  - THIS PART CONFORMS TO CLASS B REQUIREMENTS OF COSMETIC SPEC PS-45499-002.
  - REFER TO MOLEX SALES DRAWING SD-76170-002 FOR THE MATING RECEPTACLES.
  - REFER TO MOLEX PCB ROUTING GUIDE AS-76060-990 FOR ANTIPAD AND ROUTING RECOMMENDATIONS.
  - MOLEX TO SUPPLY #2-23 SCREW 73726-0000.FOR BOARD THICKNESS AND OTHER SCREW INFORMATION REFER TO IMPACT BACKPLANE SYSTEM SCREW DESIGN GUIDE AS-76060-9999.
  - GUIDE RIGHT RAM MATES WITH A GUIDE LEFT DAUGHTERCARD.
  - OPEN END VERSION SHOWN FOR CLARITY.
  - MARKING: LOCATED APPROXIMATELY AS SHOWN. PART NUMBER AND DATE CODE.

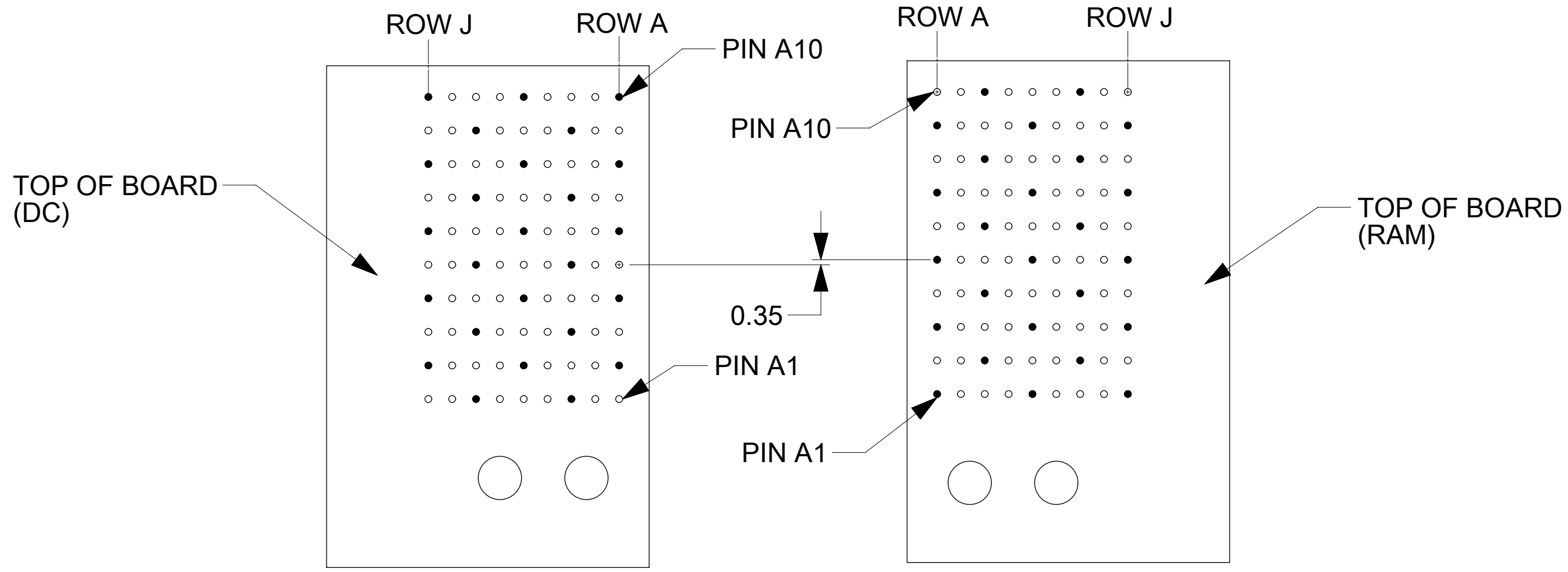
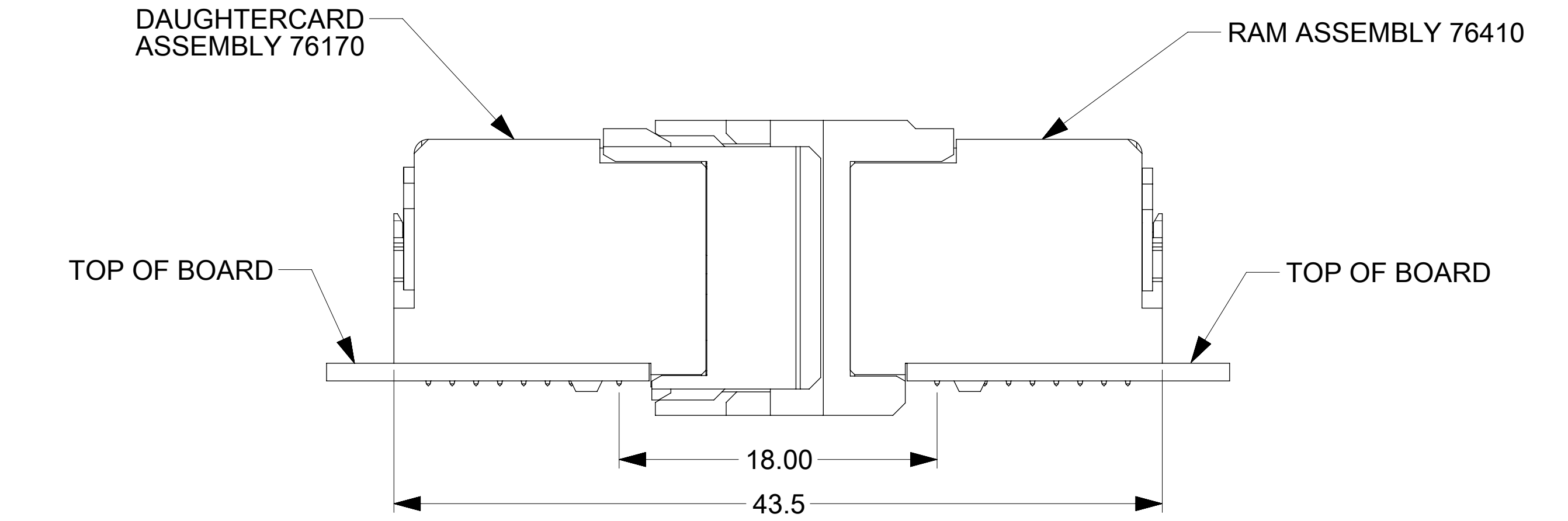


THIS DRAWING CONTAINS INFORMATION THAT IS PROPRIETARY TO MOLEX ELECTRONIC TECHNOLOGIES, LLC AND SHOULD NOT BE USED WITHOUT WRITTEN PERMISSION

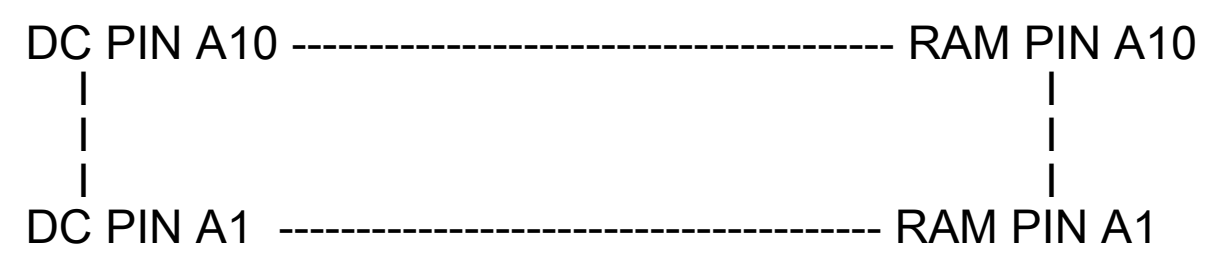
DIMENSION UNITS: mm	SCALE: NTS	CURRENT REV DESC: CHANGE SCREW P/N	<b>molex</b>		
GENERAL TOLERANCES (UNLESS SPECIFIED)					
ANGULAR TOL: $\pm$ 0.5°	4 PLACES: $\pm$	3 PLACES: $\pm$	PRODUCT CUSTOMER DRAWING		
2 PLACES: $\pm$ 0.13	1 PLACE: $\pm$ 0.25	0 PLACES: $\pm$	DOCUMENT NUMBER: SD-76410-004		
DRAFT WHERE APPLICABLE MUST REMAIN WITHIN DIMENSIONS			DOC TYPE: PSD	DOC PART: 001	REVISION: F3
THIRD ANGLE PROJECTION	DRAWING: D-SIZE	SERIES: 76410	MATERIAL NUMBER: SEE TABLE	CUSTOMER: GENERAL MARKET	SHEET NUMBER: 1 OF 2

EC NO: 623439  
 DRWN: JSGOH01 2019/08/30  
 CHK'D: SHONG 2019/09/16  
 APPR: SHONG 2019/09/16  
 INITIAL REVISION:  
 DRWN: JLAURX 2008/10/23  
 APPR: JLAURX 2008/10/27

# COPLANAR APPLICATION



## COPLANAR MATED SIGNAL PATHS



THIS DRAWING CONTAINS INFORMATION THAT IS PROPRIETARY TO MOLEX ELECTRONIC TECHNOLOGIES, LLC AND SHOULD NOT BE USED WITHOUT WRITTEN PERMISSION									
DIMENSION UNITS		SCALE		CURRENT REV DESC: CHANGE SCREW P/N					
mm		NTS		<b>molex</b> IMPACT 3 PAIR RAM GUIDE RIGHT SIGNAL MODULE SALES DWG PRODUCT CUSTOMER DRAWING					
GENERAL TOLERANCES (UNLESS SPECIFIED)									
ANGULAR TOL		± 0.5°							
4 PLACES		±							
3 PLACES		±							
2 PLACES		± 0.13		EC NO: 623439		2019/08/30		2019/09/16	
1 PLACE		± 0.25		DRWN: JLAURX		2008/10/23		2008/10/27	
0 PLACES		±		APPR: JLAURX		2008/10/27		2019/09/16	
DRAFT WHERE APPLICABLE MUST REMAIN WITHIN DIMENSIONS				THIRD ANGLE PROJECTION		DRAWING		SERIES	
						C-SIZE		76410	
DOCUMENT STATUS				P1		RELEASE DATE		2019/09/16 11:16:35	
SD-76410-004				PSD		001		F3	
MATERIAL NUMBER				CUSTOMER		SHEET NUMBER			
SEE TABLE				GENERAL MARKET		2 OF 2			