

| MATERIAL NUMBER | # OF COLUMNS | # OF DIFF PAIR | DIM "A" MAX SEE NOTE 10 | DIM "B" |
|-----------------|--------------|----------------|----------------------------|---------|
| 76450-11** | 10 | 20 | 19.00 | 17.10 |
| 76450-12** | 12 | 24 | 22.80 | 20.90 |
| 76450-16** | 16 | 32 | 30.40 | 28.50 |

76450 - * * * *

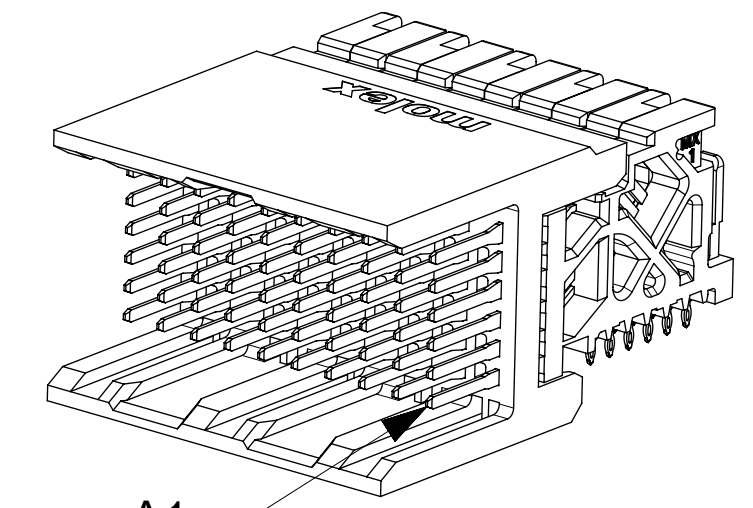
MODULE TYPE
1= UNGUIDED, LEAD FREE

OF COLUMNS
1 - 10 COLUMNS
2 - 12 COLUMNS
6 - 16 COLUMNS

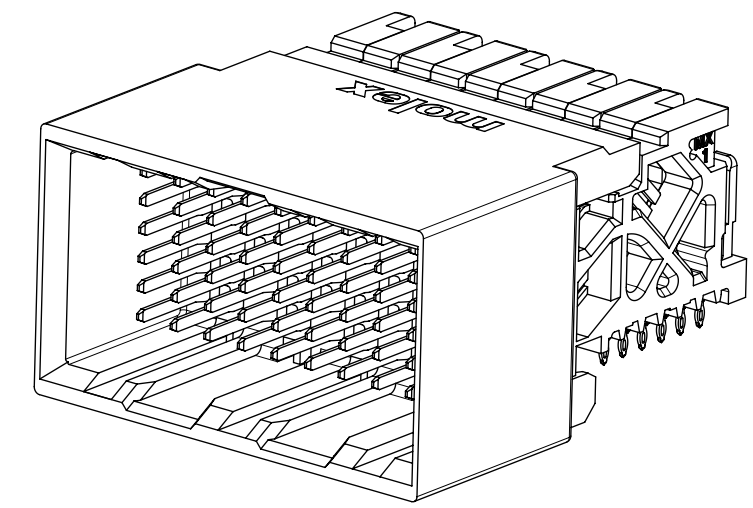
PIN LENGTH ("P")
4 - 4.90MM (0.46 PTH)
5 - 5.50MM (0.46 PTH)
7 - 4.90MM (0.39 PTH)
8 - 5.50MM (0.39 PTH)

ENDWALL OPTIONS
0 - OPEN ENDS
1 - LEFT ENDWALL
2 - DUAL ENDWALL
3 - RIGHT ENDWALL

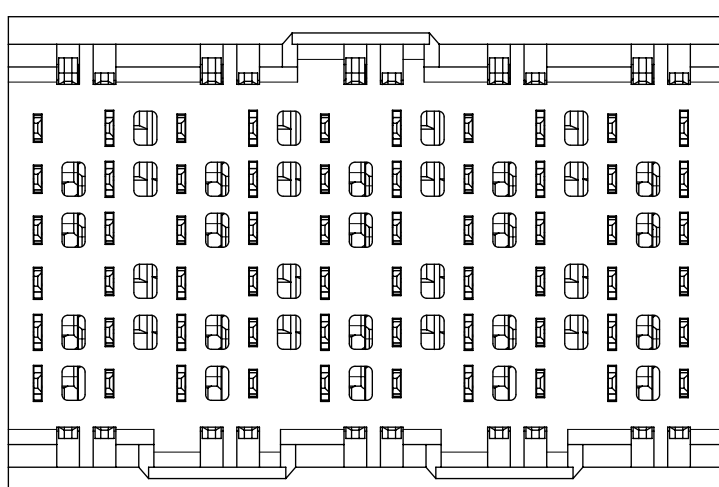
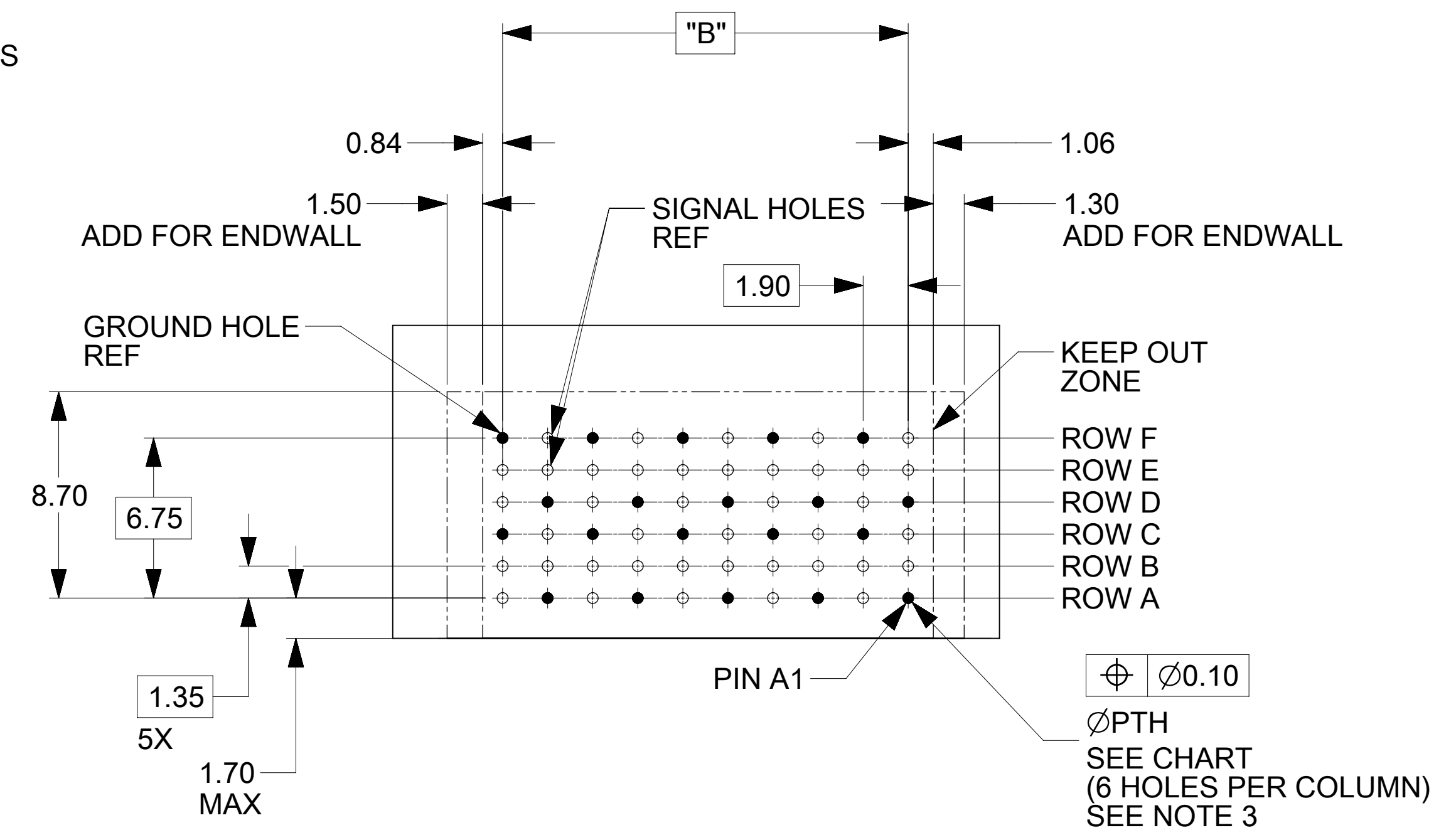
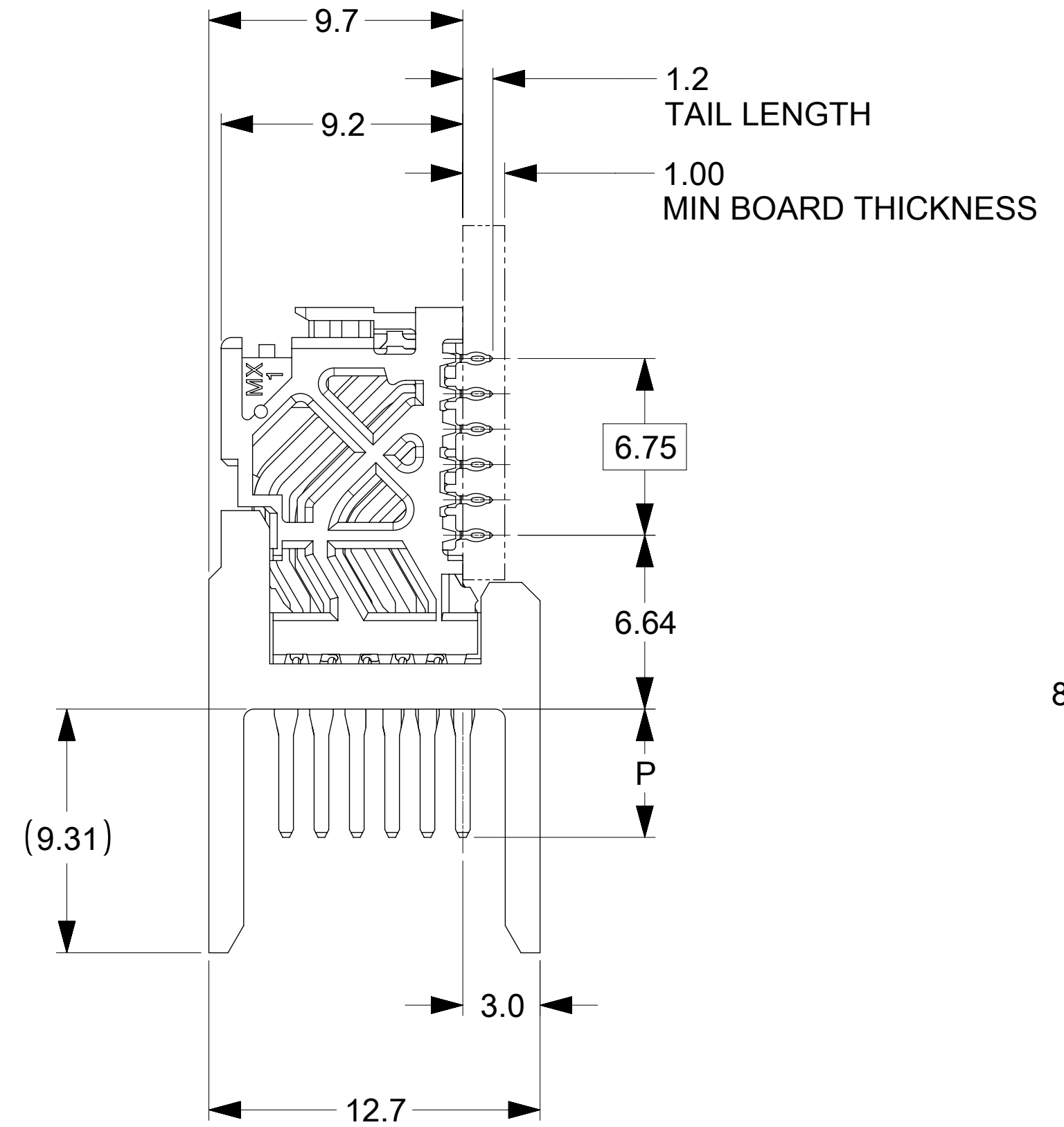
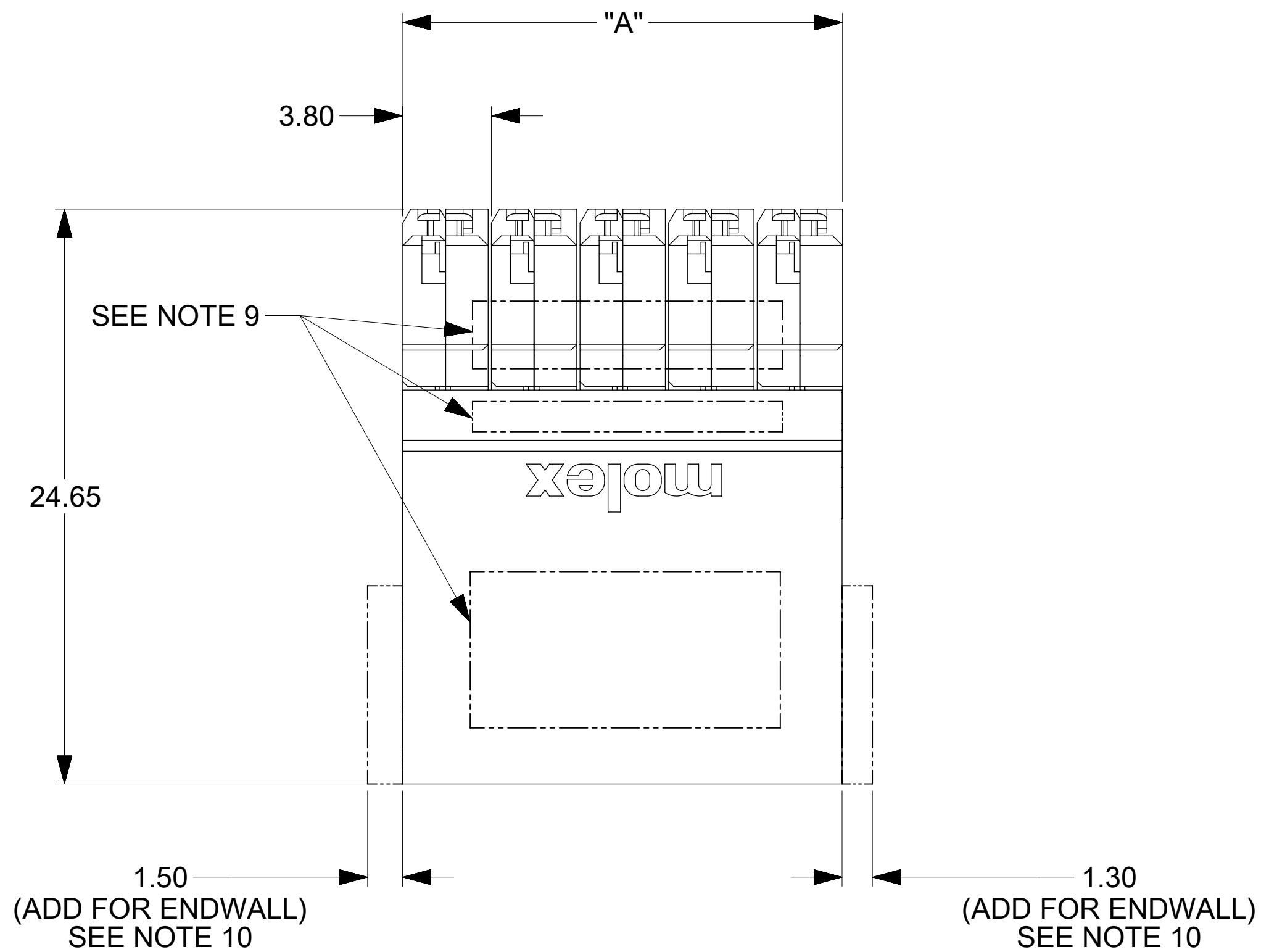
- NOTES:**
- MATERIALS: HOUSING - LIQUID CRYSTAL POLYMER (LCP), GLASS-FILLED, UL94V-0
TERMINALS - HIGH PERFORMANCE COPPER ALLOY
 - FINISH: 30µin SELECTIVE GOLD IN CONTACT AREA, SELECTIVE TIN ON PCB TAILS, NICKEL OVERALL.
 - FOR FURTHER INFORMATION SEE PRODUCT SPECIFICATION PS-76060-999..
 - EACH SIGNAL WAFER CONTAINS 2 COLUMNS OF TERMINALS.
 - PRODUCT TO BE PACKAGE PER PACKAGING SPECIFICATION PK-70873-077.
 - THIS PART CONFORMS TO CLASS B REQUIREMENTS OF COSMETIC SPEC PS-45499-002.
 - REFER TO MOLEX SALES DRAWING SD-76460-001 FOR MATING DAUGHTERCARDS.
 - REFER TO MOLEX PCB ROUTING GUIDE AS-76060-990 FOR ANTIPAD AND ROUTING RECOMMENDATIONS.
 - MARKING: LOCATED APPROXIMATELY AS SHOWN. PART NUMBER AND DATE CODE.
 - ADD 1.5mm FOR THE LEFT END WALL AND 1.3mm FOR THE RIGHT END WALL



A1
OPEN ENDED OPTION

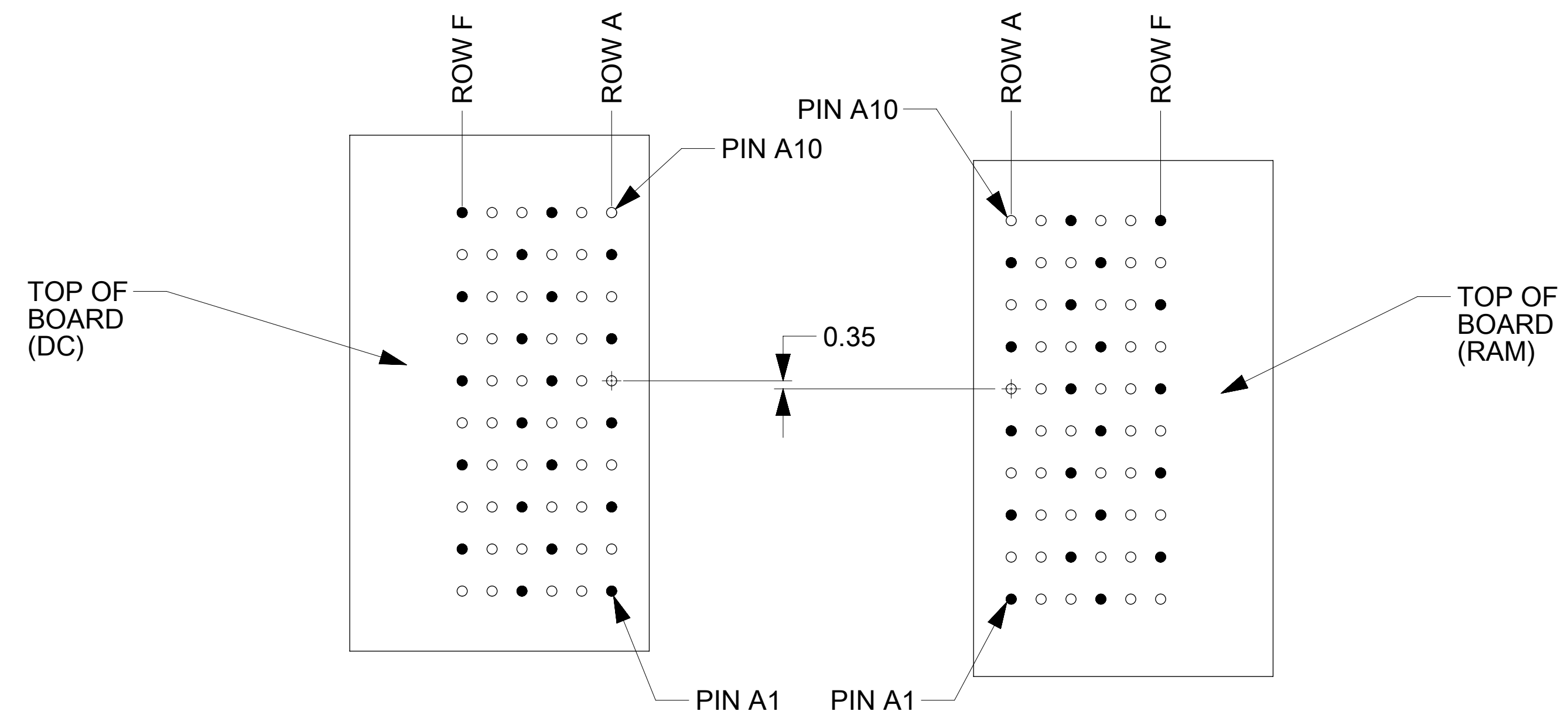
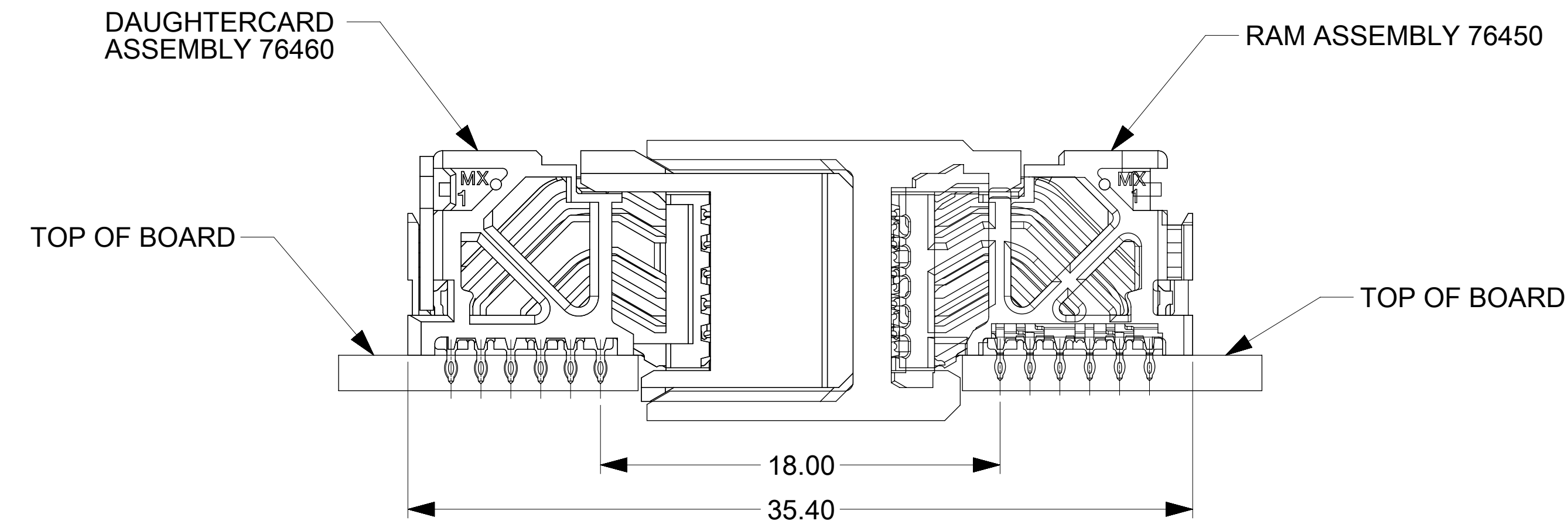


DUAL ENDWALL OPTION



| | | | | | |
|---|---------------------|---|--|--------------------------|----------------|
| THIS DRAWING CONTAINS INFORMATION THAT IS PROPRIETARY TO MOLEX ELECTRONIC TECHNOLOGIES, LLC AND SHOULD NOT BE USED WITHOUT WRITTEN PERMISSION | | CURRENT REV DESC: CORRECTED TYPO ERROR & ADDED NOTE10 | | molex | |
| DIMENSION UNITS mm | SCALE NTS | EC NO: 635139 DRWN: MMALLIGEVALU 2020/03/30 CHK'D: CWANG25 2020/04/01 APPR: SHONG 2020/04/17 | | | |
| GENERAL TOLERANCES (UNLESS SPECIFIED) | | INITIAL REVISION: DRWN: MCARRANZA 2008/02/22 APPR: JLAURX 2009/04/17 | | PRODUCT CUSTOMER DRAWING | |
| ANGULAR TOL | ± 0.5° | 1 PLACE ± 0.25 | | DOCUMENT NUMBER | DOC TYPE |
| 4 PLACES | ± | 0 PLACES ± | | SD-76450-001 | PSD |
| 3 PLACES | ± | DRAFT WHERE APPLICABLE MUST REMAIN WITHIN DIMENSIONS | | DOC PART | REVISION |
| 2 PLACES | ± 0.13 | THIRD ANGLE PROJECTION | | 001 | C1 |
| 1 PLACE | ± 0.25 | DRAWING | | SHEET NUMBER | |
| 0 PLACES | ± | D-SIZE | | 1 OF 2 | |
| | | SERIES | | MATERIAL NUMBER | CUSTOMER |
| | | 76450 | | SEE CHART | GENERAL MARKET |

COPLANAR APPLICATION



THIS DRAWING CONTAINS INFORMATION THAT IS PROPRIETARY TO MOLEX ELECTRONIC TECHNOLOGIES, LLC AND SHOULD NOT BE USED WITHOUT WRITTEN PERMISSION

| | | | | | |
|--|----------------------------|--|--------------------------|----------------|----------|
| DIMENSION UNITS mm | SCALE NTS | CURRENT REV DESC: CORRECTED TYPO ERROR & ADDED NOTE10 | | | |
| GENERAL TOLERANCES (UNLESS SPECIFIED) | | EC NO: 635139 | | | |
| ANGULAR TOL | ± 0.5° | DRWN: MMALLIGEVALU 2020/03/30 | PRODUCT CUSTOMER DRAWING | | |
| 4 PLACES | ± | CHK'D: CWANG25 2020/04/01 | DOCUMENT NUMBER | DOC TYPE | DOC PART |
| 3 PLACES | ± | APPR: SHONG 2020/04/17 | SD-76450-001 | PSD | 001 |
| 2 PLACES | ± 0.13 | INITIAL REVISION: | REVISION | C1 | |
| 1 PLACE | ± 0.25 | DRWN: MCARRANZA 2008/02/22 | MATERIAL NUMBER | | |
| 0 PLACES | ± | APPR: JLAURX 2009/04/17 | CUSTOMER | | |
| DRAFT WHERE APPLICABLE MUST REMAIN WITHIN DIMENSIONS | THIRD ANGLE PROJECTION | DRAWING D-SIZE | SERIES 76450 | GENERAL MARKET | |
| | | SHEET NUMBER | | 2 OF 2 | |