

MATERIAL NUMBER	# OF COLUMNS	# OF DIFF PAIR	DIM 'A' MAX	DIM 'B'
76450- *10*	10	20	26.60	17.10
76450- *60*	16	32	38.00	28.50

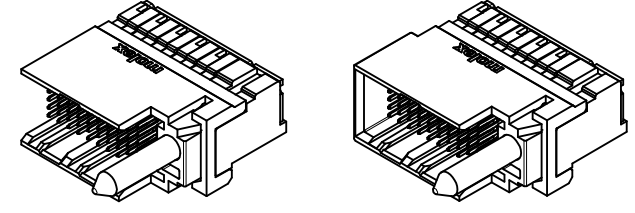
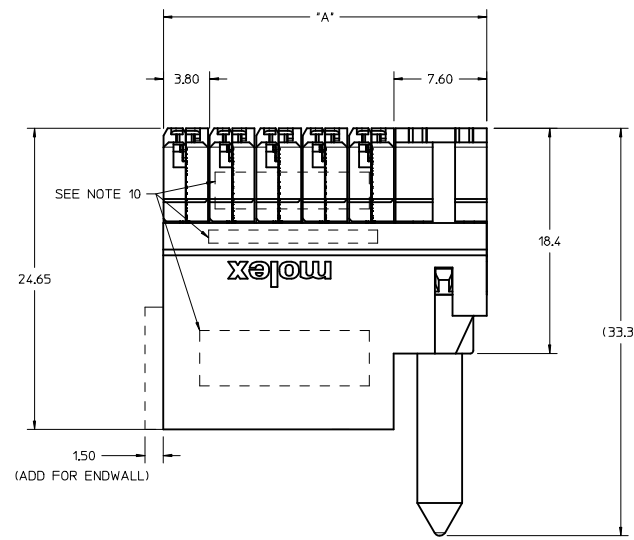
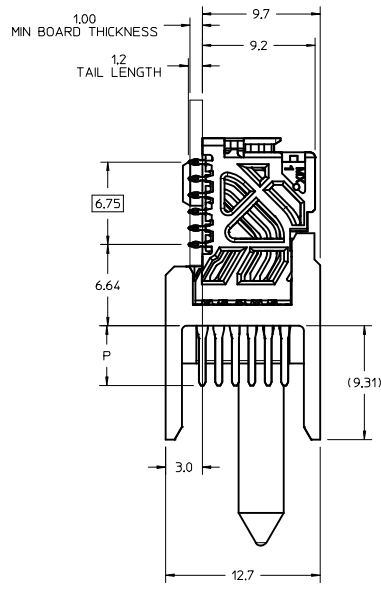
76450-***10***

MODULE & TAIL PLATING TYPE
 5 = RIGHT GUIDED LEAD-FREE
 9 = RIGHT GUIDED LEAD-FREE W/ ENDWALL

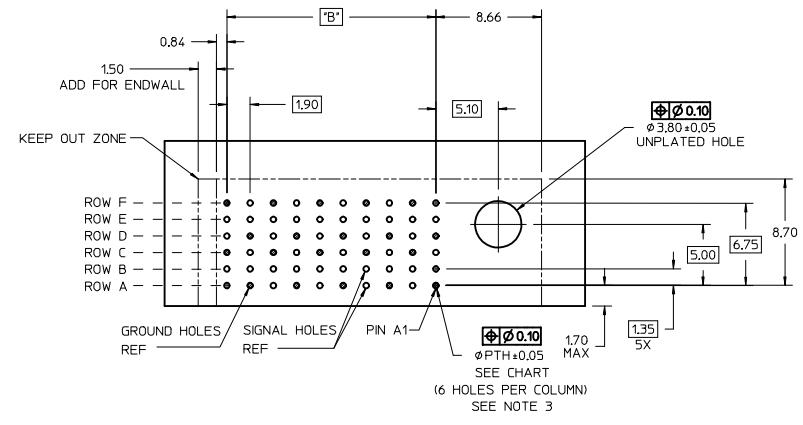
PIN LENGTH (P)
 4 = 4.90 (0.46 PTH)
 5 = 5.50 (0.46 PTH)
 7 = 4.90 (0.39 PTH)
 8 = 5.50 (0.39 PTH)

OF COLUMNS
 1 = 10 COL
 6 = 16 COL

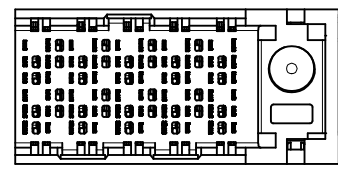
- NOTES:
1. MATERIALS: HOUSING - LIQUID CRYSTAL POLYMER (LCP), GLASS-FILLED, UL94V-0
TERMINALS - HIGH PERFORMANCE COPPER ALLOY
 2. FINISH: 304h SELECTIVE GOLD IN CONTACT AREA, SELECTIVE TIN ON PCB TAILS, NICKEL OVERALL.
 3. FOR FURTHER INFORMATION SEE PRODUCT SPECIFICATION PS-76060-999.
 4. EACH SIGNAL WAFER CONTAINS 2 COLUMNS OF TERMINALS.
 5. PRODUCT TO BE PACKAGED PER PACKAGING SPECIFICATION PK-70873-077.
 6. THIS PART CONFORMS TO CLASS B REQUIREMENTS OF COSMETIC SPEC PS-45499-002.
 7. REFER TO MOLEX SALES DRAWING SD-76460-002 FOR MATING DAUGHTERCARDS.
 8. REFER TO MOLEX PCB ROUTING GUIDE AS-76060-990 FOR ANTI PAD AND ROUTING RECOMMENDATIONS.
 9. WHEN USING MOLEX SUPPLIED #2-32 SCREW 73726-0005 (7.62 +0.38/-0.76 mm THREADABLE SCREW LENGTH, THE BOARD THICKNESS RANGE IS 1.60 TO 3.85 mm.
 10. MARKING: LOCATED APPROXIMATELY AS SHOWN, PART NUMBER AND DATE CODE.



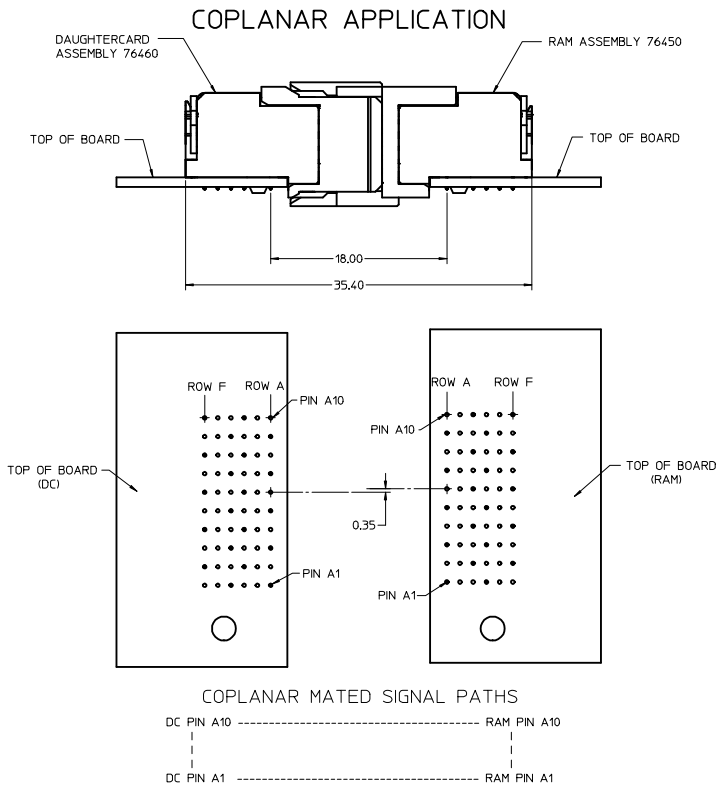
OPEN ENDED OPTION ENDWALL OPTION



RAM HOLE PATTERN
(CONNECTOR SIDE)



ADD LASER MARK INFO EC NO: UCP2016-3973 DRAWN BY: DRWINDAVARA CHECKED BY: CHYKTELO APPROVED BY: APPR:TELO DATE: 2015/07/29 DATE: 2016/02/22 DATE: 2016/04/20	QUALITY SYMBOLS ∇=0 ∇=0 ∇=0	GENERAL TOLERANCES (UNLESS SPECIFIED)		DIMENSION STYLE MM ONLY	SCALE 5:1	DESIGN UNITS METRIC	THIRD ANGLE PROJECTION
		4 PLACES ±0.10 3 PLACES ±0.15 2 PLACES ±0.20 1 PLACE ±0.25 0 PLACE ±0.30	mm INCH	DRAWN BY: JJONIAK DATE: 2009/07/06	TITLE IMPACT 100 OHM 2 PAIR RAM RIGHT GUIDED SALES DRAWING		
		ANGULAR ±1/2° DRAFT WHERE APPLICABLE MUST REMAIN WITHIN DIMENSIONS	SEE TABLE	APPROVED BY: JLaurX DATE: 2010/02/09	MOLEX		
		MATERIAL NO. SD-76450-004 DOCUMENT NO. SD-76450-004 SHEET NO. 1 OF 2	THIS DRAWING CONTAINS INFORMATION THAT IS PROPRIETARY TO MOLEX INCORPORATED AND SHOULD NOT BE USED WITHOUT WRITTEN PERMISSION				



SEE SHEET 1 IEC NO: UCP2016-3973 DRAWN BY: DRWINDAVARARA CHECKED BY: CHYKTELO APPROVED BY: APPR:TELO DATE: 2015/07/29 DATE: 2016/02/22 DATE: 2016/04/20	QUALITY SYMBOLS	GENERAL TOLERANCES (UNLESS SPECIFIED)	DIMENSION STYLE	SCALE	DESIGN UNITS	THIRD ANGLE PROJECTION	
	∇=0 ∇=0 ∇=0	4 PLACES ±--- ±--- 3 PLACES ±--- ±--- 2 PLACES ±0.13 ±--- 1 PLACE ±0.25 ±--- 0 PLACE ±--- ±---	MM ONLY INCH	DRAWN BY: JJONIAK CHECKED BY: JL AURX APPROVED BY: JL AURX DATE: 2009/07/06 DATE: 2009/07/06 DATE: 2010/02/09	5:1	METRIC	TITLE: IMPACT 100 OHM 2 PAIR RAM RIGHT GUIDED SALES DRAWING molex
	DRAFT WHERE APPLICABLE MUST REMAIN WITHIN DIMENSIONS	ANGULAR ±1/2°	MATERIAL NO: SEE TABLE SIZE: D	DOCUMENT NO: SD-76450-004 SHEET NO: 2 OF 2	THIS DRAWING CONTAINS INFORMATION THAT IS PROPRIETARY TO MOLEX INCORPORATED AND SHOULD NOT BE USED WITHOUT WRITTEN PERMISSION		

MATERIAL NUMBER	# OF COLUMNS	# OF DIFF PAIR	DIM 'A' MAX	DIM 'B'
76450- *10*	10	20	26.60	17.10
76450- *60*	16	32	38.00	28.50

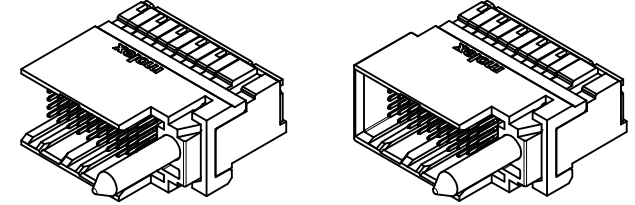
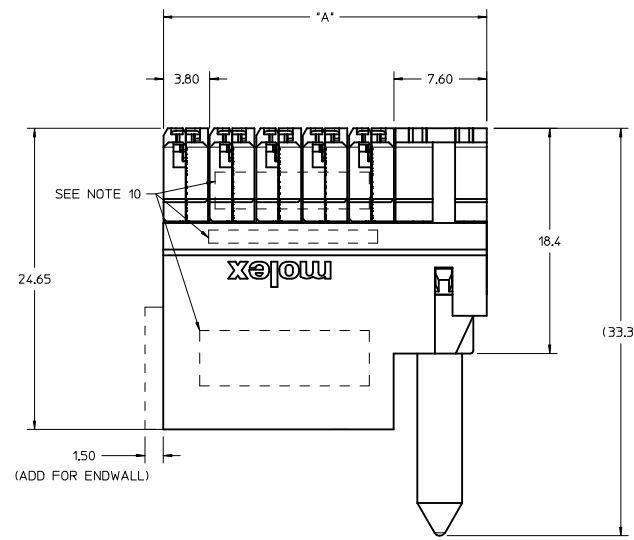
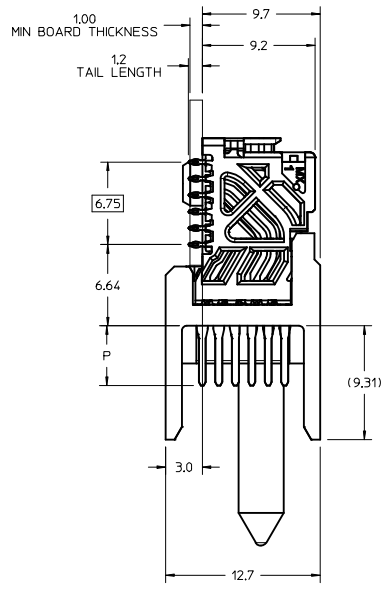
76450-***10***

MODULE & TAIL PLATING TYPE
 5 = RIGHT GUIDED LEAD-FREE
 9 = RIGHT GUIDED LEAD-FREE W/ ENDWALL

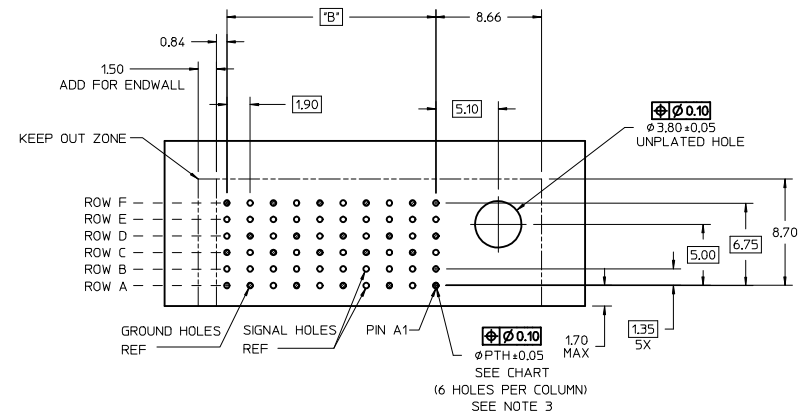
PIN LENGTH (P)
 4 = 4.90 (0.46 PTH)
 5 = 5.50 (0.46 PTH)
 7 = 4.90 (0.39 PTH)
 8 = 5.50 (0.39 PTH)

OF COLUMNS
 1 = 10 COL
 6 = 16 COL

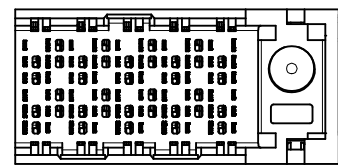
- NOTES:
1. MATERIALS: HOUSING - LIQUID CRYSTAL POLYMER (LCP), GLASS-FILLED, UL94V-0
TERMINALS - HIGH PERFORMANCE COPPER ALLOY
 2. FINISH: 304h SELECTIVE GOLD IN CONTACT AREA, SELECTIVE TIN ON PCB TAILS, NICKEL OVERALL.
 3. FOR FURTHER INFORMATION SEE PRODUCT SPECIFICATION PS-76060-999.
 4. EACH SIGNAL WAFER CONTAINS 2 COLUMNS OF TERMINALS.
 5. PRODUCT TO BE PACKAGED PER PACKAGING SPECIFICATION PK-70873-077.
 6. THIS PART CONFORMS TO CLASS B REQUIREMENTS OF COSMETIC SPEC PS-45499-002.
 7. REFER TO MOLEX SALES DRAWING SD-76460-002 FOR MATING DAUGHTERCARDS.
 8. REFER TO MOLEX PCB ROUTING GUIDE AS-76060-990 FOR ANTI PAD AND ROUTING RECOMMENDATIONS.
 9. WHEN USING MOLEX SUPPLIED #2-32 SCREW #2-32 SCREW 73726-0005 (7.62 +0.38/-0.76 mm THREADABLE SCREW LENGTH, THE BOARD THICKNESS RANGE IS 1.60 TO 3.85 mm.
 10. MARKING: LOCATED APPROXIMATELY AS SHOWN, PART NUMBER AND DATE CODE.



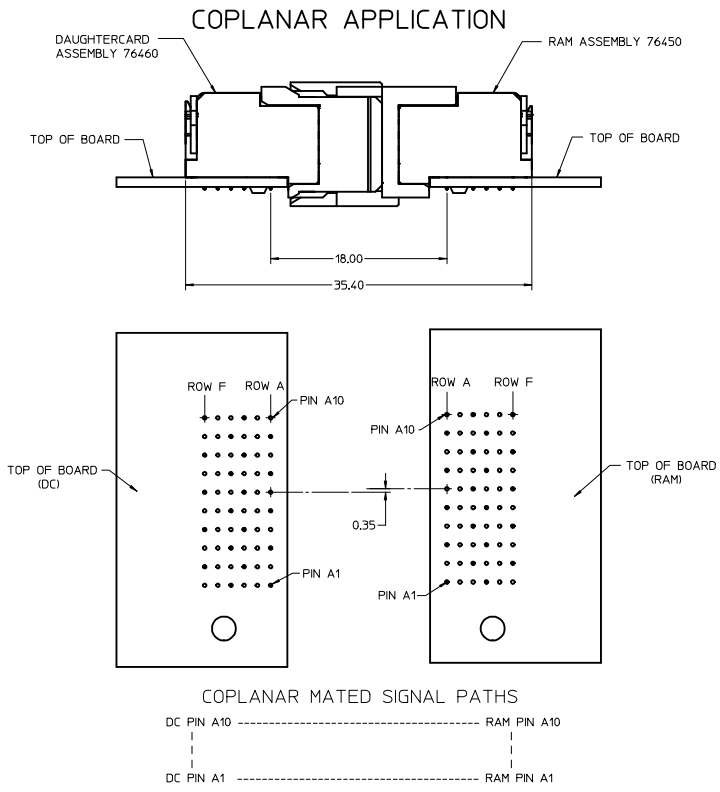
OPEN ENDED OPTION ENDWALL OPTION



RAM HOLE PATTERN
(CONNECTOR SIDE)



ADD LASER MARK INFO EC NO: UCP2016-3973 DRAWN BY: DRWINDAVARA CHECKED BY: CHYKTELO APPROVED BY: APPR:TELO DATE: 2015/07/29 DATE: 2016/02/22 DATE: 2016/04/20	QUALITY SYMBOLS ∇=0 ∇=0 ∇=0	GENERAL TOLERANCES (UNLESS SPECIFIED)		DIMENSION STYLE MM ONLY	SCALE 5:1	DESIGN UNITS METRIC	THIRD ANGLE PROJECTION
		4 PLACES ±0.10 3 PLACES ±0.15 2 PLACES ±0.20 1 PLACE ±0.25 0 PLACE ±0.30	mm INCH	DRAWN BY: JJONIAK DATE: 2009/07/06	TITLE IMPACT 100 OHM 2 PAIR RAM RIGHT GUIDED SALES DRAWING		
		ANGULAR ±1/2° DRAFT WHERE APPLICABLE MUST REMAIN WITHIN DIMENSIONS	SEE TABLE	APPROVED BY: JLaurx DATE: 2010/02/09	molex		
		MATERIAL NO. SD-76450-004 DOCUMENT NO. SD-76450-004 SHEET NO. 1 OF 2	THIS DRAWING CONTAINS INFORMATION THAT IS PROPRIETARY TO MOLEX INCORPORATED AND SHOULD NOT BE USED WITHOUT WRITTEN PERMISSION				



SEE SHEET 1 IEC NO: UCP2016-3973 DRAWN BY: DRWINDAVARARA CHECKED BY: CHYKTELO APPROVED BY: APPR:TELO DATE: 2015/07/29 DATE: 2016/02/22 DATE: 2016/04/20	QUALITY SYMBOLS	GENERAL TOLERANCES (UNLESS SPECIFIED)	DIMENSION STYLE	SCALE	DESIGN UNITS	THIRD ANGLE PROJECTION	
	▽=0	4 PLACES ± mm ± INCH	MM ONLY	5:1	METRIC		
	▽=0	3 PLACES ± --- ± ---	DRAWN BY: JJONIAK DATE: 2009/07/06	TITLE: IMPACT 100 OHM 2 PAIR RAM RIGHT GUIDED SALES DRAWING			
	▽=0	2 PLACES ± 0.13 ± --- 1 PLACE ± 0.25 ± --- 0 PLACE ± --- ± ---	CHECKED BY: JL AURX DATE: 2009/07/06	molex			
	ANGULAR ± 1/2°	APPROVED BY: JL AURX DATE: 2010/02/09					
	DRAFT WHERE APPLICABLE MUST REMAIN WITHIN DIMENSIONS	MATERIAL NO. DOCUMENT NO.	SEE TABLE SD-76450-004				
		SIZE	THIS DRAWING CONTAINS INFORMATION THAT IS PROPRIETARY TO MOLEX INCORPORATED AND SHOULD NOT BE USED WITHOUT WRITTEN PERMISSION				