

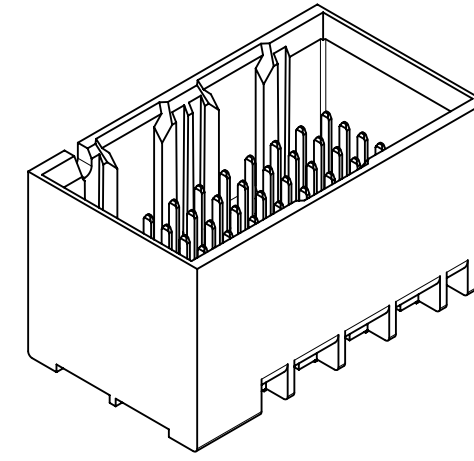
- NOTES:**
1. MATERIALS: HOUSING - LIQUID CRYSTAL POLYMER (LCP)
GLASS-FILLED, UL94V-0
TERMINALS - HIGH PERFORMANCE COPPER ALLOY
 2. FINISH: 30μ MIN GOLD IN CONTACT AREA.
SELECTIVE TIN ON PCB TAILS.
NICKEL OVERALL.
 3. REFER TO MOLEX PRODUCT SPECIFICATION PS-76060-999 FOR PERFORMANCE SPECIFICATIONS AND ADDITIONAL PCB INFORMATION.
 4. THIS PART CONFORMS TO CLASS B REQUIREMENTS OF MOLEX COSMETIC SPEC PS-45499-002.
 5. PARTS PACKAGED PER PK-70873-7704.
 6. SEE SHEETS 2 & 3 FOR PART NUMBERS AND BOARD RELATIONSHIPS.
 7. MATES WITH IMPACT DC SERIES NO. 76460.
 8. REFER TO MOLEX PCB ROUTING GUIDE AS-76060-990 FOR ANTIPAD AND ROUTING RECOMMENDATIONS.
 9. "THESE DIMENSIONS REPRESENT THE AREA NEEDED TO ACCOMMODATE CONNECTOR INSERTION AND REPAIR ON THE PC BOARD. THIS IS REFERRED TO AS THE "CONNECTOR KEEP OUT ZONE" AND DOES NOT REPRESENT THE ACTUAL PERIMETER OF THE CONNECTOR. WHEN LAYING OUT A PC BOARD FOR CONNECTORS STACKED TOGETHER, USE A 1.9mm PROGRESSION."

THIS DRAWING CONTAINS INFORMATION THAT IS PROPRIETARY TO MOLEX ELECTRONIC TECHNOLOGIES, LLC AND SHOULD NOT BE USED WITHOUT WRITTEN PERMISSION

DRAWING CORRECTION EC NO: 175272 DRWN: HILGOH CHKD: JLTAN06 REV / APPR: DWLE01	2018/04/19	2018/04/23	2018/05/09	GENERAL TOLERANCES (UNLESS SPECIFIED) ANGULAR TOL ± 0.5 ° 4 PLACES ± 3 PLACES ± 2 PLACES ± 0.13 1 PLACE ± 0.25 0 PLACES ± DRAFT WHERE APPLICABLE MUST REMAIN WITHIN DIMENSIONS	DIMENSION UNITS MM	SCALE 4:1	
	DRWN BY MSANDBERG	DATE 2008/03/11	CHKD BY TELO		DATE 2008/03/11		
	APPR BY JLAURX	DATE 2010/10/15	SERIES 76455		MATERIAL NUMBER SEE TABLE	CUSTOMER GENERAL MARKET	
	DRAWING SIZE C	THIRD ANGLE PROJECTION	DOCUMENT NUMBER SD-76455-001		DOC TYPE PSD	DOC PART 001	

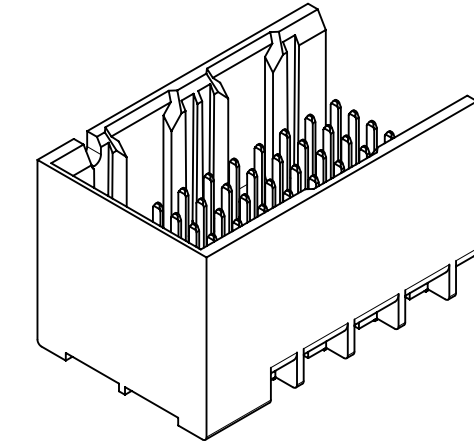
PART NUMBER TABLE

MATERIAL NUMBER	# OF COLUMNS	# OF DIFF PAIR	DIM 'A'	DIM 'B'	DUAL END WALL OPTION
76455-*12*	10	20	21.7	17.10	
76455-*62*	16	32	33.1	28.50	



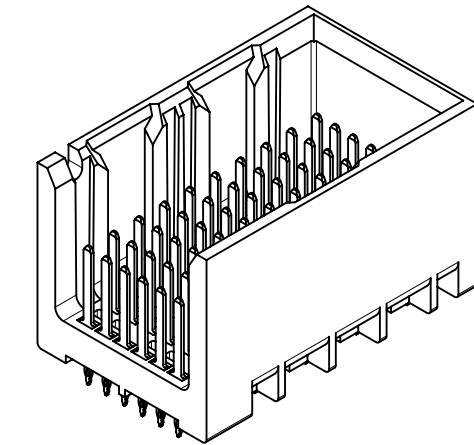
DUAL END
WALL OPTION

MATERIAL NUMBER	# OF COLUMNS	# OF DIFF PAIR	DIM 'A'	DIM 'B'	LEFT END WALL OPTION
76455-*11*	10	20	20.3	17.10	
76455-*61*	16	32	31.7	28.50	



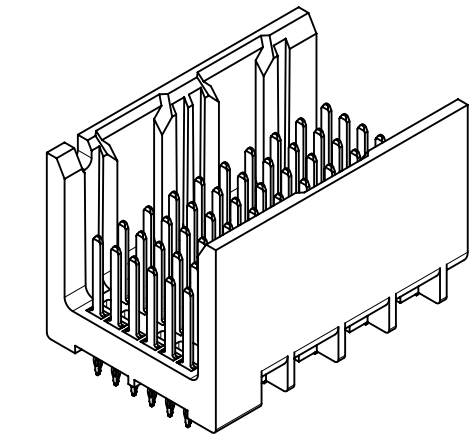
LEFT END
WALL OPTION

MATERIAL NUMBER	# OF COLUMNS	# OF DIFF PAIR	DIM 'A'	DIM 'B'	RIGHT END WALL OPTION
76455-*13*	10	20	20.3	17.10	
76455-*63*	16	32	31.7	28.50	



RIGHT END
WALL OPTION

MATERIAL NUMBER	# OF COLUMNS	# OF DIFF PAIR	DIM 'A'	DIM 'B'	OPEN WALL OPTION
76455-*10*	10	20	18.9	17.10	
76455-*60*	16	32	30.3	28.50	



OPEN
WALL OPTION

PART NUMBER LOGIC

76455 - ****

MODULE TYPE
1 = UNGUIDED, TIN

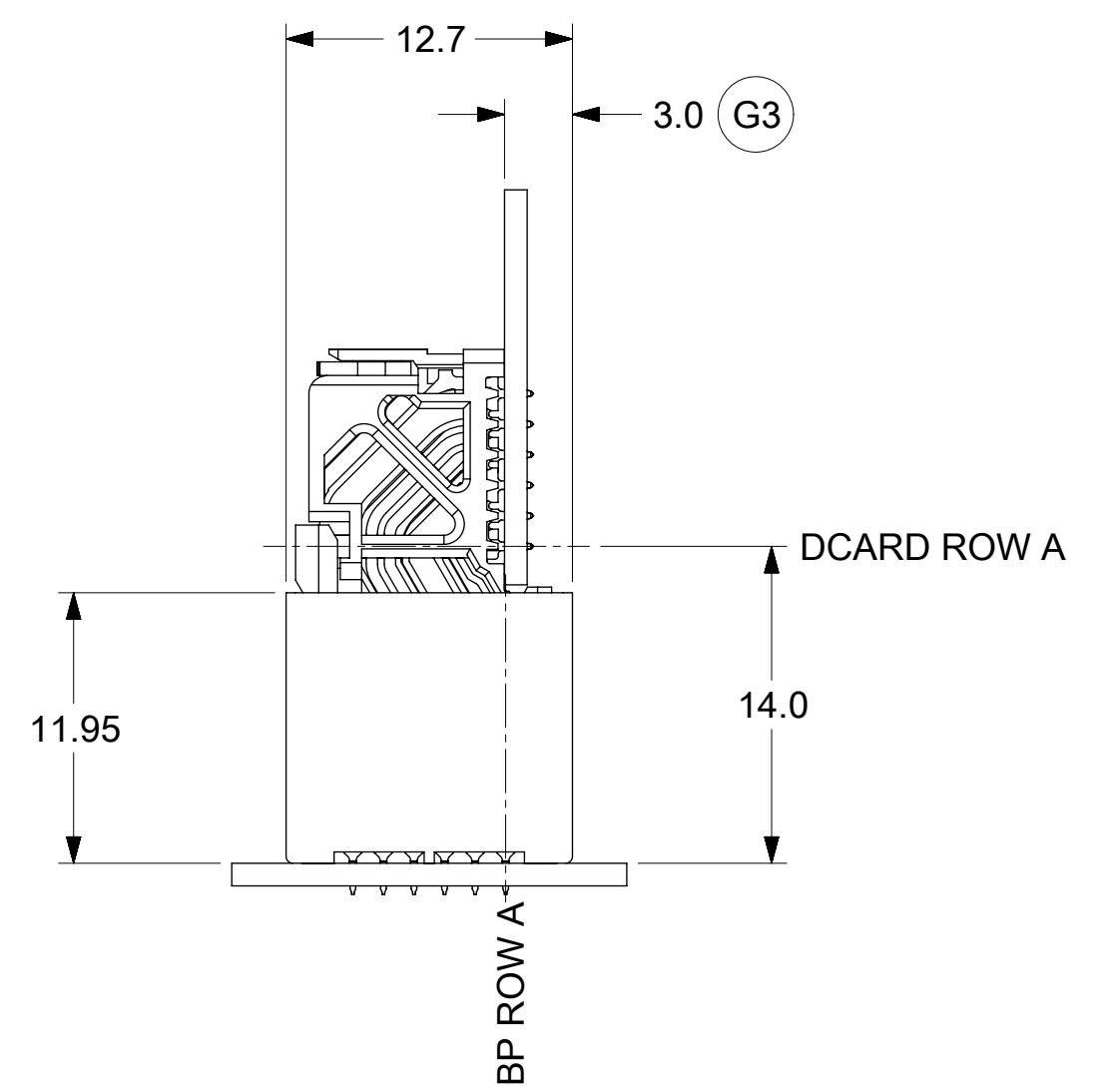
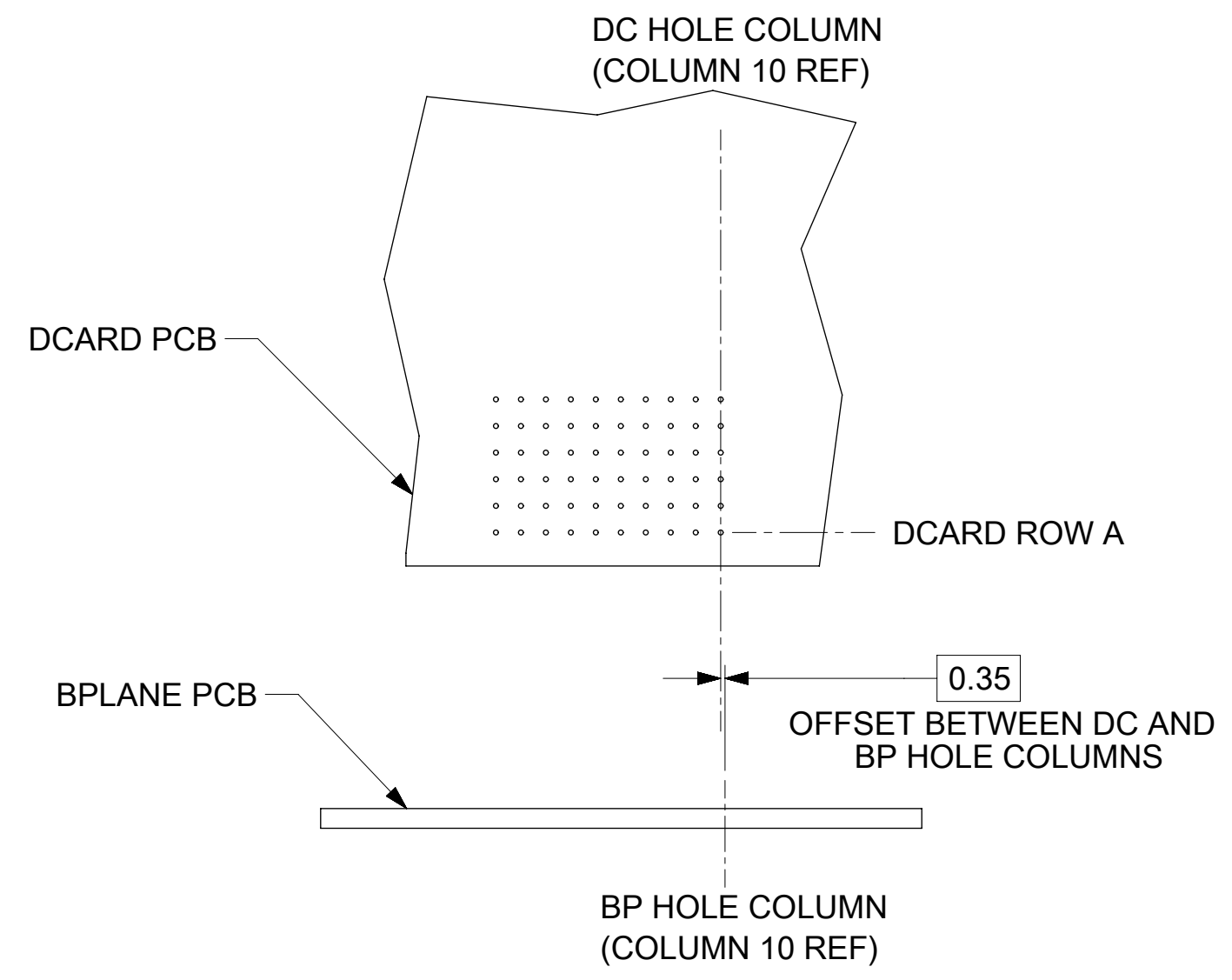
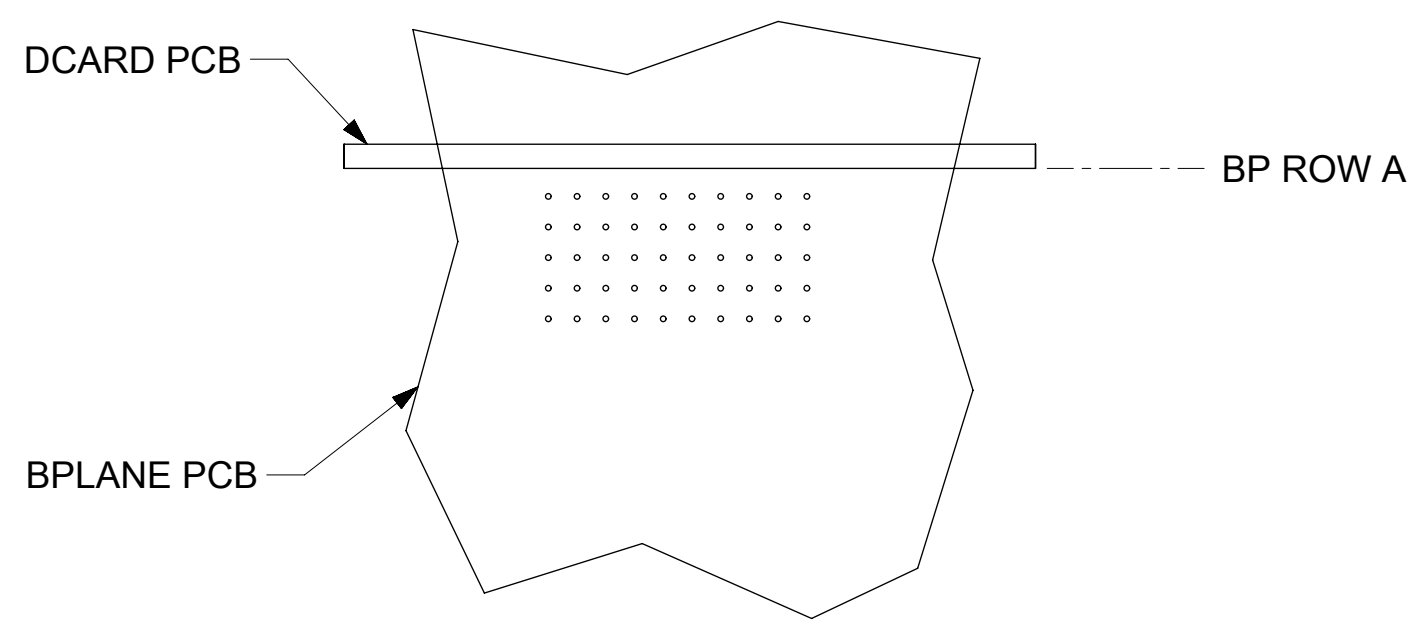
OF COLUMNS
1 = 10 COL
6 = 16 COL

PIN LENGTH (P)
3 = 4.50 (SHORT COMPLIANT, 0.46±0.05 PTH)
4 = 4.90 (SHORT COMPLIANT, 0.46±0.05 PTH)
5 = 5.50 (SHORT COMPLIANT, 0.46±0.05 PTH)
6 = 4.50 (MICRO COMPLIANT, 0.39±0.05 PTH)
7 = 4.90 (MICRO COMPLIANT, 0.39±0.05 PTH)
8 = 5.50 (MICRO COMPLIANT, 0.39±0.05 PTH)

END WALL OPTIONS
0 = OPEN ENDS
1 = LEFT END WALL
2 = DUAL END WALL
3 = RIGHT END WALL

THIS DRAWING CONTAINS INFORMATION THAT IS PROPRIETARY TO MOLEX ELECTRONIC TECHNOLOGIES, LLC AND SHOULD NOT BE USED WITHOUT WRITTEN PERMISSION											
DRAWING CORRECTION	2018/04/19	GENERAL TOLERANCES (UNLESS SPECIFIED)		DIMENSION UNITS	SCALE	molex IMPACT 2 PAIR HEADER UNGUIDED ASSEMBLY SALES DRAWING					
	2018/04/23	ANGULAR TOL ± 0.5 °		MM	2.5:1						
	2018/05/09	4 PLACES ±	DRWN BY	DATE	PRODUCT CUSTOMER DRAWING						
	EC NO: 175272	3 PLACES ±	MSANDBERG	2008/03/11							
	DRWN: HILGOH	2 PLACES ± 0.13	CHKD BY	DATE							
	CHKD: JLTAN06	1 PLACE ± 0.25	TELO	2008/03/11							
REV / APPR: DWLE01	0 PLACES ±	APPR BY	DATE								
G3	DRAFT WHERE APPLICABLE MUST REMAIN WITHIN DIMENSIONS		DRAWING SIZE	THIRD ANGLE PROJECTION	SERIES	MATERIAL NUMBER	CUSTOMER				
	C				76455	SEE TABLE	GENERAL MARKET				
					DOCUMENT NUMBER	DOC TYPE	DOC PART	SHEET NUMBER			
					SD-76455-001	PSD	001	2 OF 3			

IMPACT 2 PAIR BOARD RELATIONSHIPS



THIS DRAWING CONTAINS INFORMATION THAT IS PROPRIETARY TO MOLEX ELECTRONIC TECHNOLOGIES, LLC AND SHOULD NOT BE USED WITHOUT WRITTEN PERMISSION											
DRAWING CORRECTION	EC NO: 175272	2018/04/19	GENERAL TOLERANCES (UNLESS SPECIFIED)		DIMENSION UNITS	SCALE	molex IMPACT 2 PAIR HEADER UNGUIDED ASSEMBLY SALES DRAWING				
	DRWN: HILGOH	2018/04/23	ANGULAR TOL ± 0.5 °		MM	2:1					
	CHKD: JLTAN06	2018/05/09	4 PLACES	±	DRWN BY	DATE	PRODUCT CUSTOMER DRAWING				
	REV / APPR: DWLEED01		3 PLACES	±	MSANDBERG	2008/03/11					
			2 PLACES	± 0.13	CHKD BY	DATE	SERIES MATERIAL NUMBER CUSTOMER				
		1 PLACE	± 0.25	TELO	2008/03/11	76455					
		0 PLACES	±	APPR BY	DATE	DOCUMENT NUMBER DOC TYPE DOC PART SHEET NUMBER					
		DRAFT WHERE APPLICABLE MUST REMAIN WITHIN DIMENSIONS			JLAURX						2010/10/15
				DRAWING SIZE	THIRD ANGLE PROJECTION						
				C							