

MATERIAL NUMBER	# OF COLUMNS	# OF DIFF PAIR	DIM "A" MAX	DIM "B"	PTH ϕ
76495-8**	8	32	22.80	13.30	0.46 \pm 0.05
76495-8**					0.39 \pm 0.05
76495-1**	10	40	26.60	17.10	0.46 \pm 0.05
76495-1**					0.39 \pm 0.05
76495-2**	12	48	30.40	20.90	0.46 \pm 0.05
76495-2**					0.39 \pm 0.05
76495-7**	14	56	34.20	24.70	0.46 \pm 0.05
76495-7**					0.39 \pm 0.05
76495-6**	16	64	38.00	28.50	0.46 \pm 0.05
76495-6**					0.39 \pm 0.05

MODULE TYPE
5 = RIGHT GUIDED, LEAD-FREE
9 = RIGHT GUIDED, LEAD-FREE W/ ENDWALL

76495-***

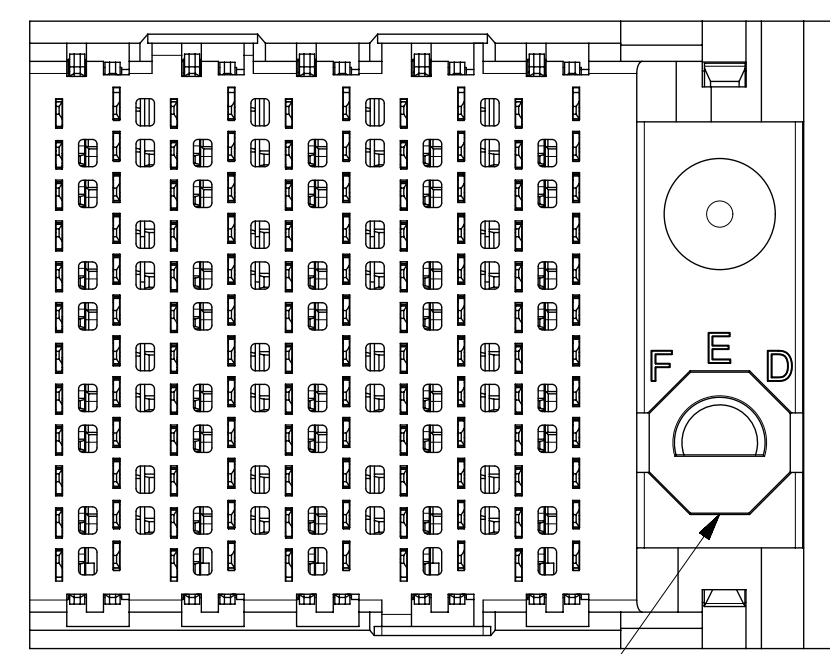
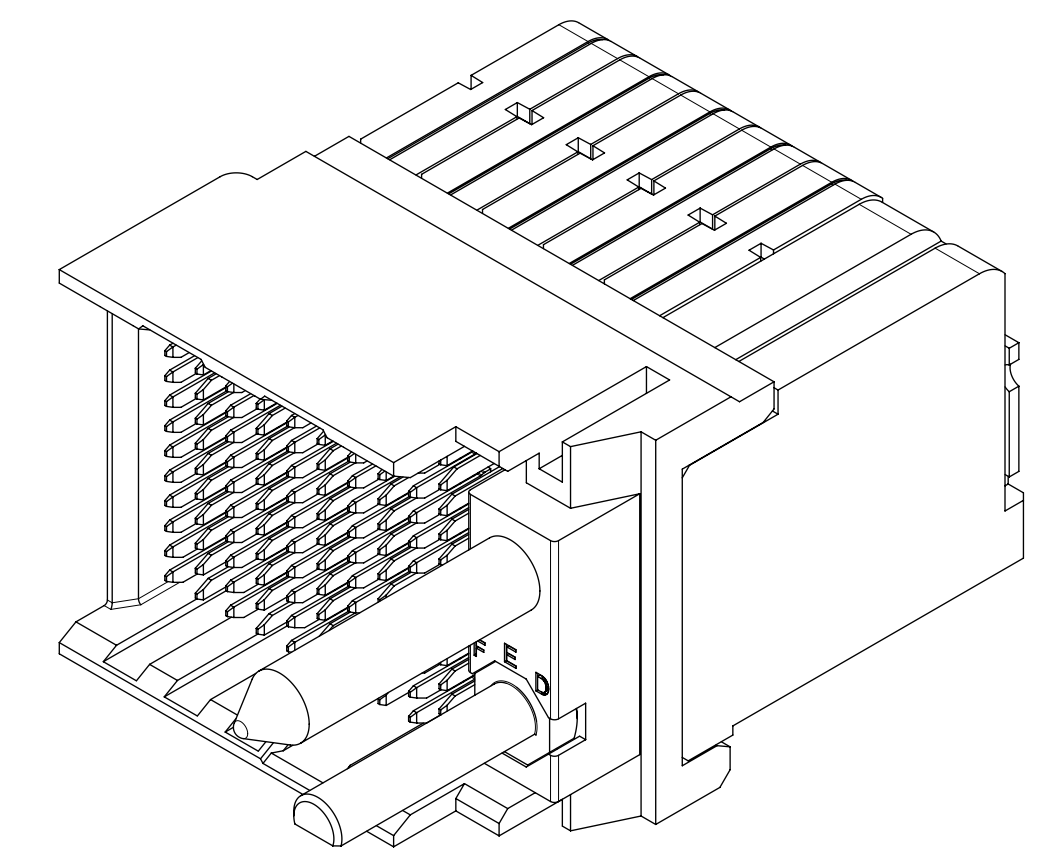
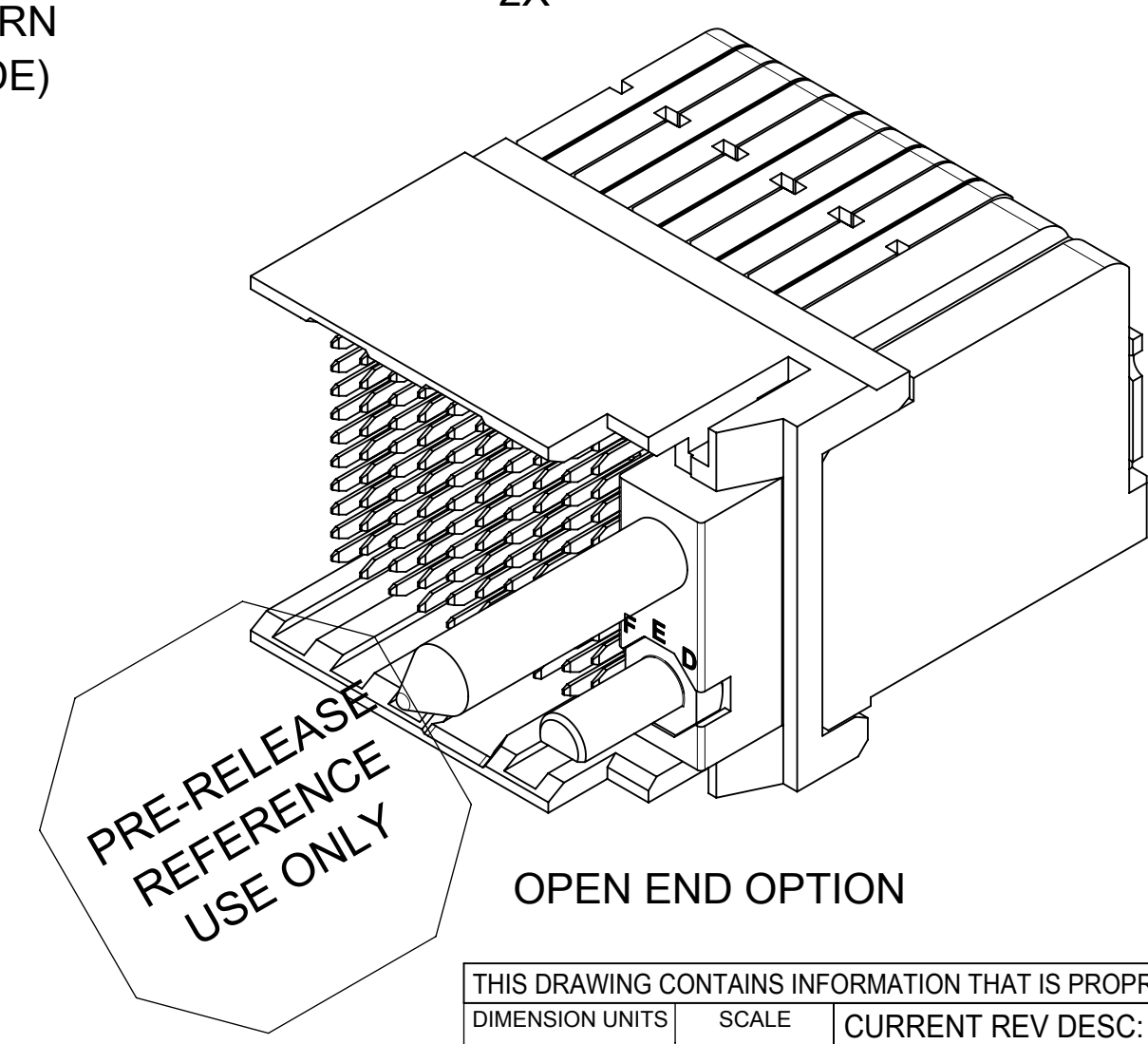
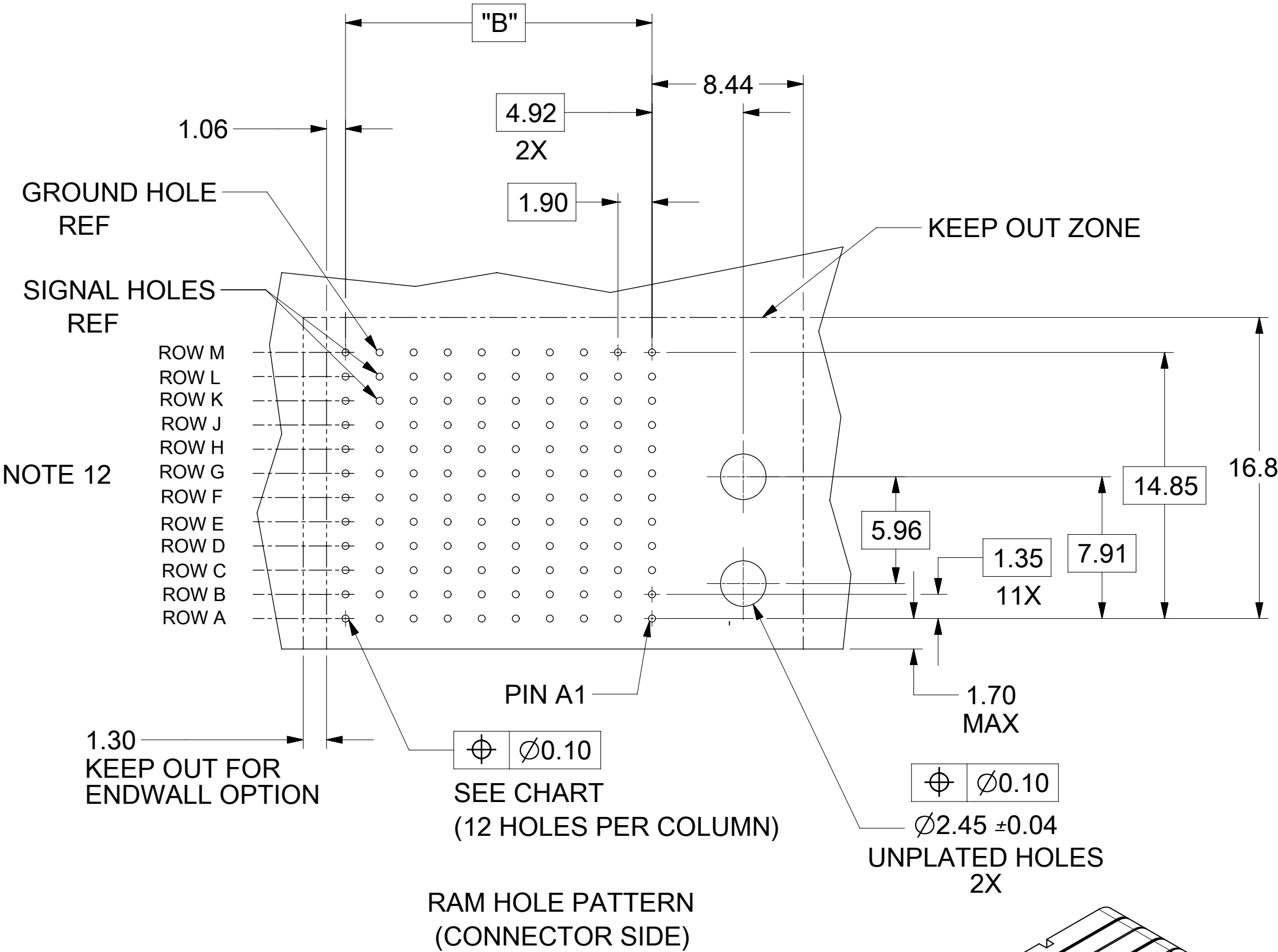
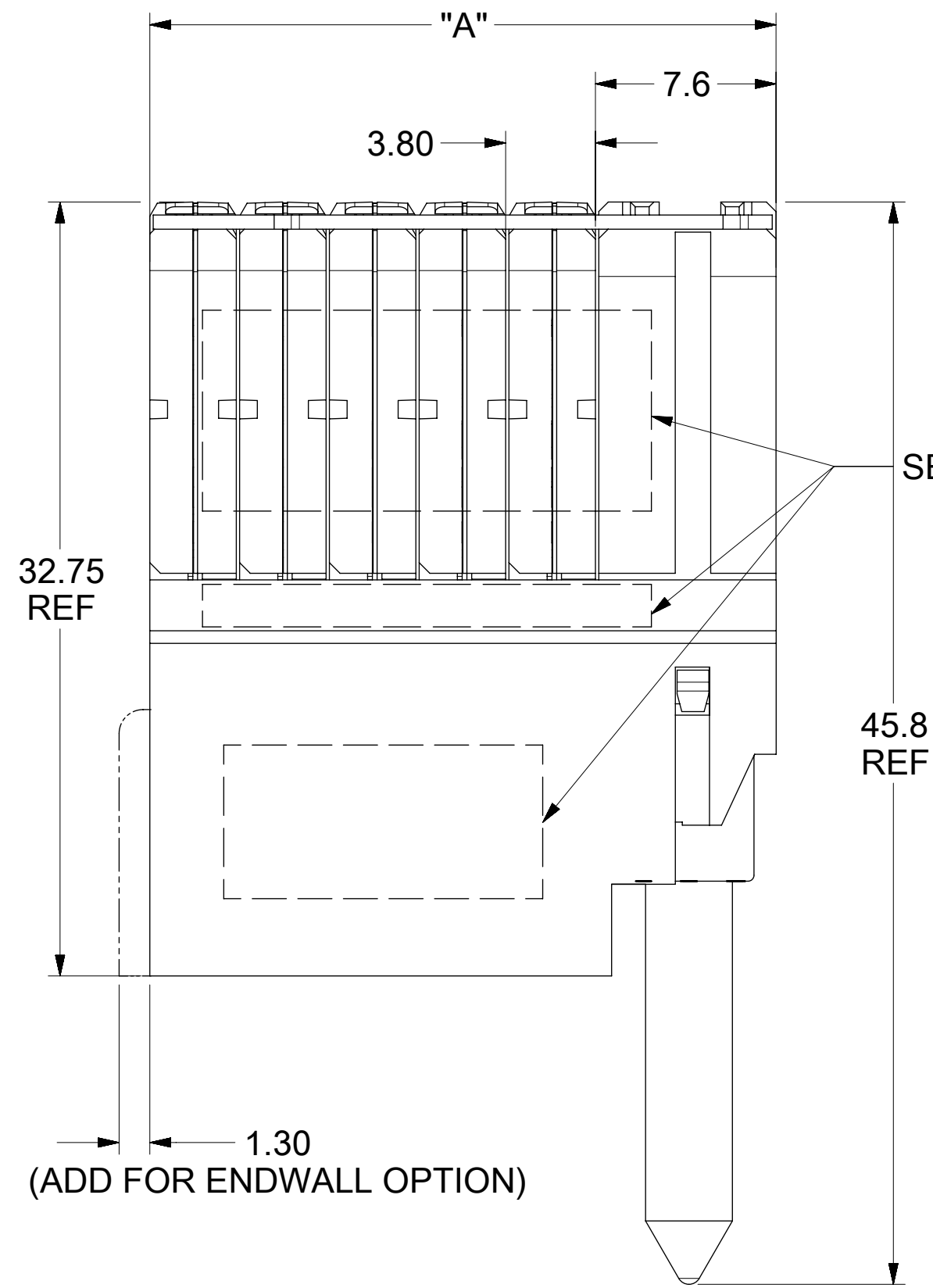
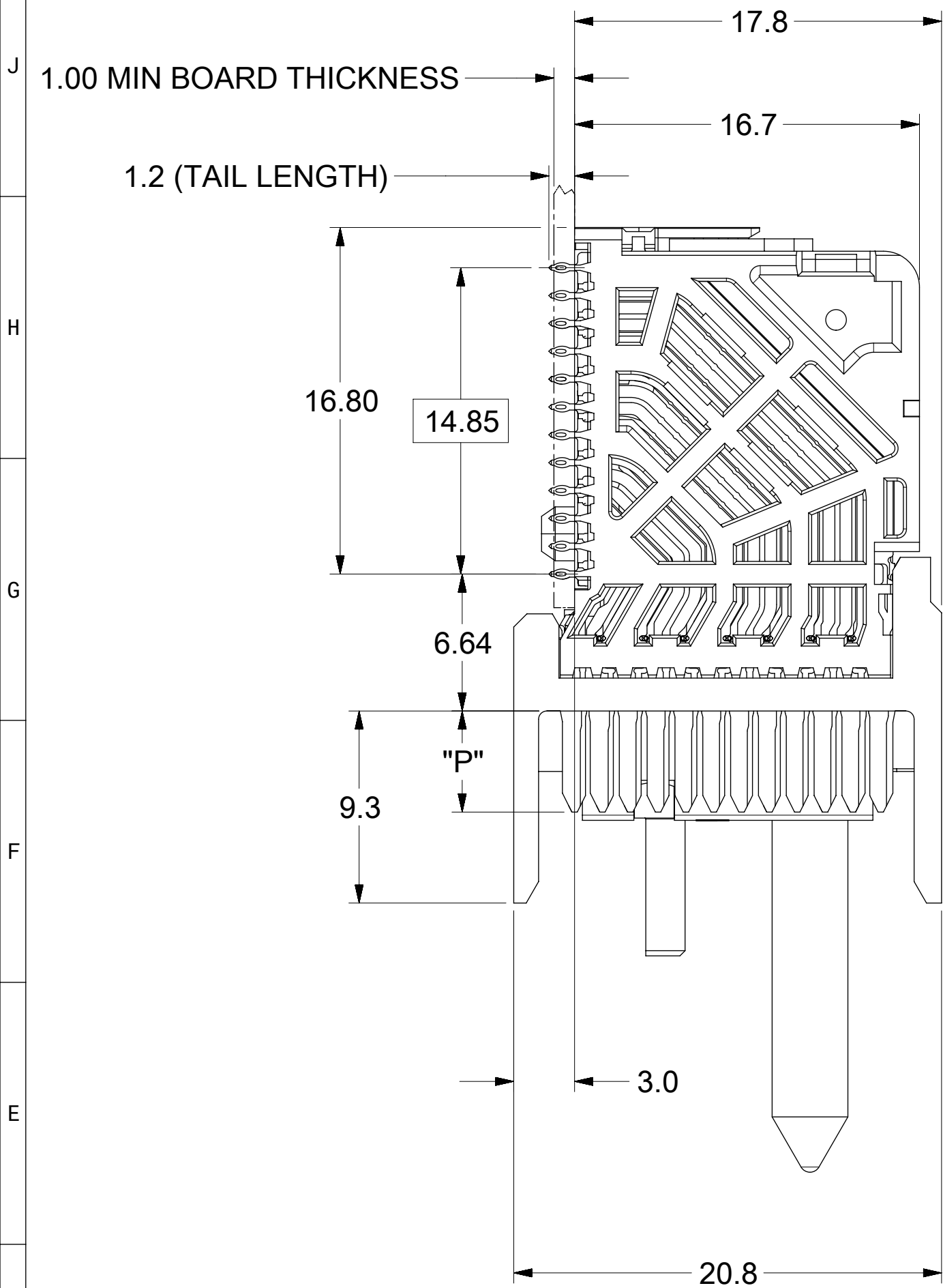
PIN LENGTH (P)
4 = 4.90 (0.46 PTH)
5 = 5.50 (0.46 PTH)
7 = 4.90 (0.39 PTH)
8 = 5.50 (0.39 PTH)

OF COLUMNS
1 = 10 COLUMNS
2 = 12 COLUMNS
6 = 16 COLUMNS
7 = 14 COLUMNS
8 = 8 COLUMNS

KEY ORIENTATION
0 = NO KEY
1 = A 5 = E
2 = B 6 = F
3 = C 7 = G
4 = D 8 = H

NOTES:

- MATERIALS: HOUSING - LIQUID CRYSTAL POLYMER (LCP), GLASS-FILLED, UL94V-0
TERMINALS - HIGH PERFORMANCE COPPER ALLOY
- FINISH: 30 μ IN SELECTIVE GOLD IN CONTACT AREA, SELECTIVE TIN ON PCB TAILS, NICKEL OVERALL.
- REFER TO MOLEX PRODUCT SPECIFICATION PS-170540-999 FOR PERFORMANCE SPECIFICATIONS AND ADDITIONAL PCB INFORMATION.
- EACH SIGNAL WAFER CONTAINS 2 COLUMNS OF TERMINALS.
- PRODUCT IS PACKAGED PER PK-70873-041.
- THIS PART CONFORMS TO CLASS B REQUIREMENTS OF COSMETIC SPEC PS-45499-002.
- REFER TO MOLEX SALES DRAWING SD-170340-004 FOR THE MATING RECEPTACLES.
- REFER TO MOLEX PCB ROUTING GUIDE AS-76060-990 FOR ANTIPAD AND ROUTING RECOMMENDATIONS.
- CONNECTORS SUPPLIED WITH A 2-32 SELF TAPPING TYPE AB P/N 73726-0000.
- GUIDE RIGHT RAM MATES WITH A GUIDE LEFT DAUGHTERCARD.
- GROUND PATHS ARE NOT DISCRETE CIRCUITS.
- MARKING: LOCATED APPROXIMATELY AS SHOWN. PART NUMBER AND DATE CODE

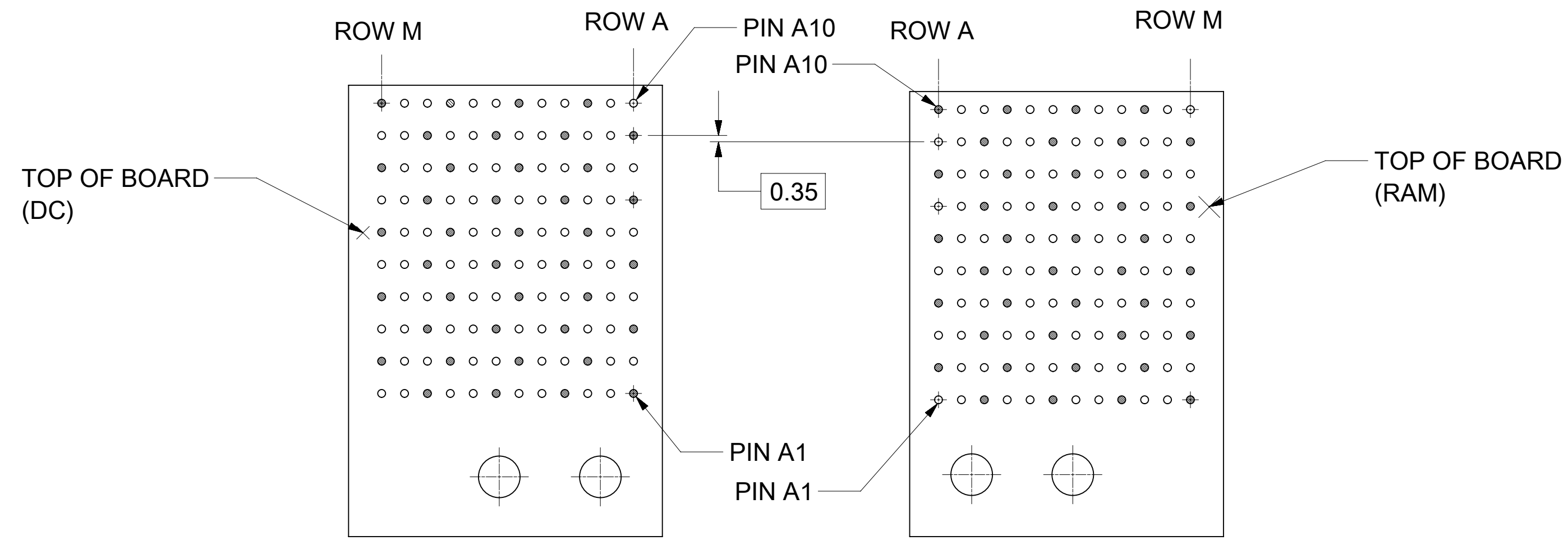


KEY SHOWN IN POSITION A

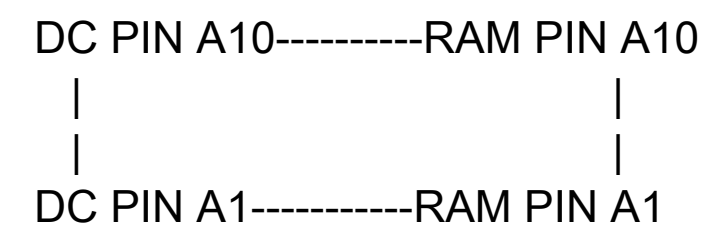
THIS DRAWING CONTAINS INFORMATION THAT IS PROPRIETARY TO MOLEX ELECTRONIC TECHNOLOGIES, LLC AND SHOULD NOT BE USED WITHOUT WRITTEN PERMISSION

DIMENSION UNITS: mm	SCALE: NTS	CURRENT REV DESC: DISCREPANCY ISSUE FOR WAFER ID MARKING	molex		
GENERAL TOLERANCES (UNLESS SPECIFIED)					
ANGULAR TOL: \pm 0.5°		EC NO: 634237	PRODUCT CUSTOMER DRAWING		
4 PLACES: \pm		DRWN: SKRISHNAMU01 2020/03/12	DOCUMENT NUMBER: SD-76495-004	DOC TYPE: PSD	DOC PART: 001
3 PLACES: \pm		CHK'D: CWANG25 2020/03/19	REVISION: A4		
2 PLACES: \pm 0.13		APPR:	SHEET NUMBER: 1 OF 2		
1 PLACE: \pm 0.25		INITIAL REVISION: DRWN: JLAURX 2010/11/16			
0 PLACES: \pm		APPR: JLAURX 2012/11/19			
DRAFT WHERE APPLICABLE MUST REMAIN WITHIN DIMENSIONS	THIRD ANGLE PROJECTION	DRAWING: D-SIZE	SERIES: 76495	MATERIAL NUMBER: SEE CHART	CUSTOMER: GENERAL MARKET

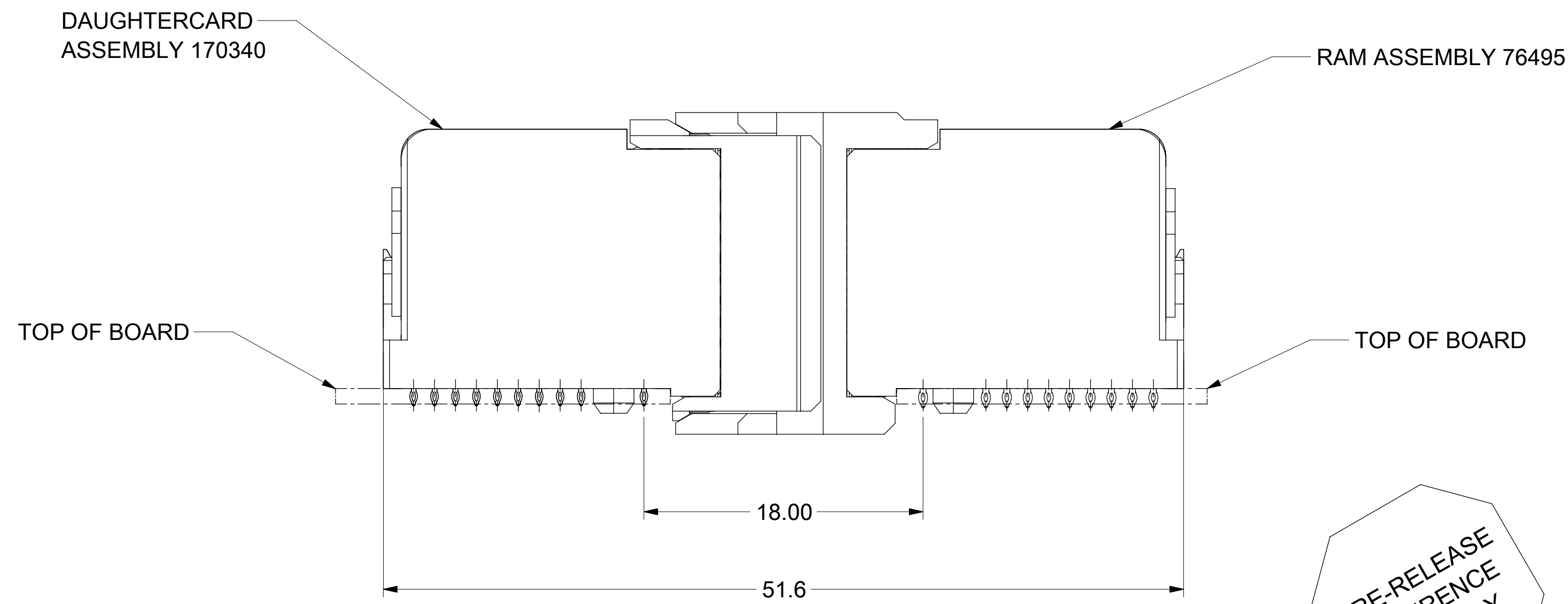
DOCUMENT STATUS	RV	RELEASE DATE
-----------------	----	--------------



COPLANAR MATED SIGNAL PATHS



COPLANAR APPLICATION



PRE-RELEASE
REFERENCE
USE ONLY

THIS DRAWING CONTAINS INFORMATION THAT IS PROPRIETARY TO MOLEX ELECTRONIC TECHNOLOGIES, LLC AND SHOULD NOT BE USED WITHOUT WRITTEN PERMISSION										
DIMENSION UNITS	SCALE	CURRENT REV DESC: DISCREPANCY ISSUE FOR WAFER ID MARKING					molex			
mm	NTS									
GENERAL TOLERANCES (UNLESS SPECIFIED)							IMPACT 4 PAIR PLUS 85OHM RAM SIGNAL MODULE GUIDE RIGHT SALES DWG			
ANGULAR TOL	± 0.5°						PRODUCT CUSTOMER DRAWING			
4 PLACES	±	EC NO: 634237					DOCUMENT NUMBER			
3 PLACES	±	DRWN: SKRISHNAMU01 2020/03/12					SD-76495-004			
2 PLACES	± 0.13	CHK'D: CWANG25 2020/03/19					DOC TYPE DOC PART REVISION			
1 PLACE	± 0.25	APPR:					PSD 001 A4			
0 PLACES	±	INITIAL REVISION:					MATERIAL NUMBER CUSTOMER SHEET NUMBER			
DRAFT WHERE APPLICABLE MUST REMAIN WITHIN DIMENSIONS		THIRD ANGLE PROJECTION		DRAWING	SERIES	SEE CHART		GENERAL MARKET		2 OF 2
				D-SIZE	76495					