

MATERIAL NUMBER	# OF COLUMNS	# OF DIFF PAIR	DIM "A" MAX	DIM "B"	PTH ϕ
76500-w8**	8	32	22.80	13.30	0.46±0.05
76500-w1**	10	40	26.60	17.10	0.46±0.05
76500-w6**	16	64	38.00	28.50	0.46±0.05
76500-w8**	8	32	22.80	13.30	0.39±0.05
76500-w1**	10	40	26.60	17.10	0.39±0.05
76500-w6**	16	64	38.00	28.50	0.39±0.05

76500-****

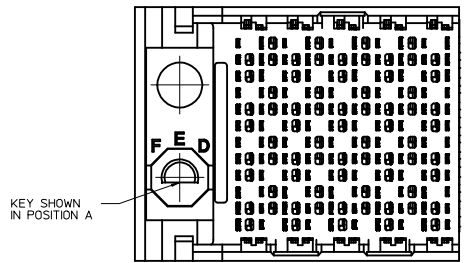
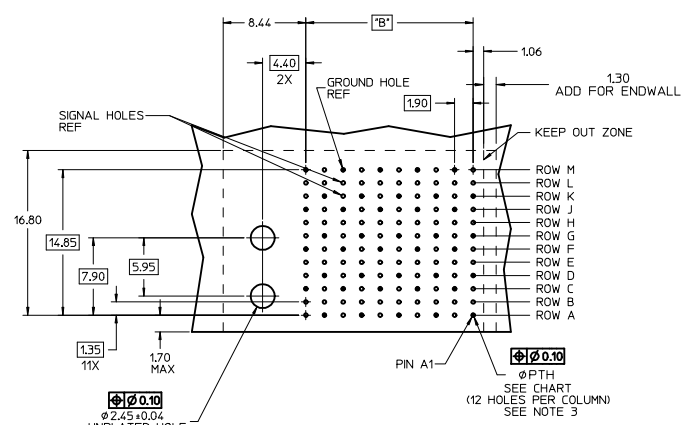
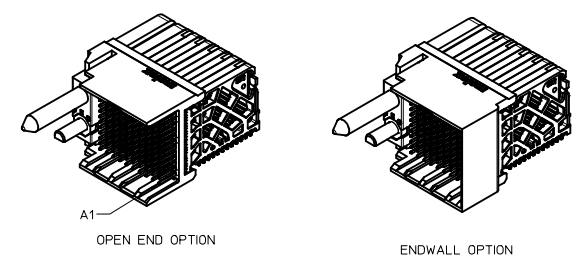
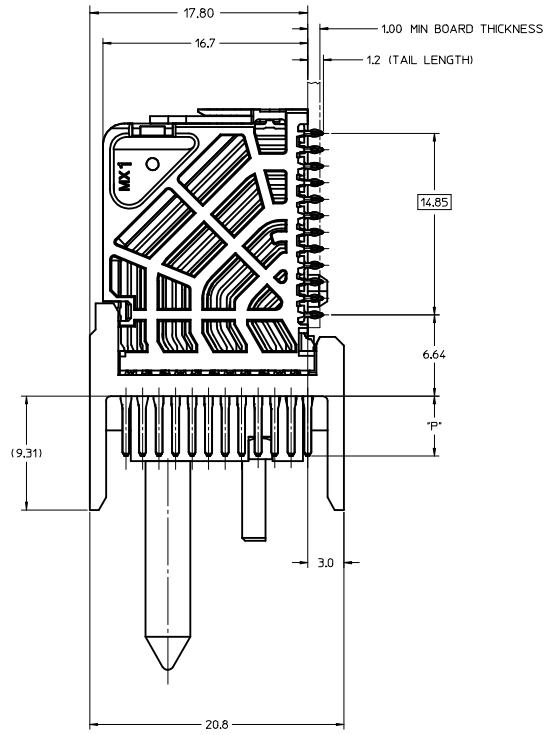
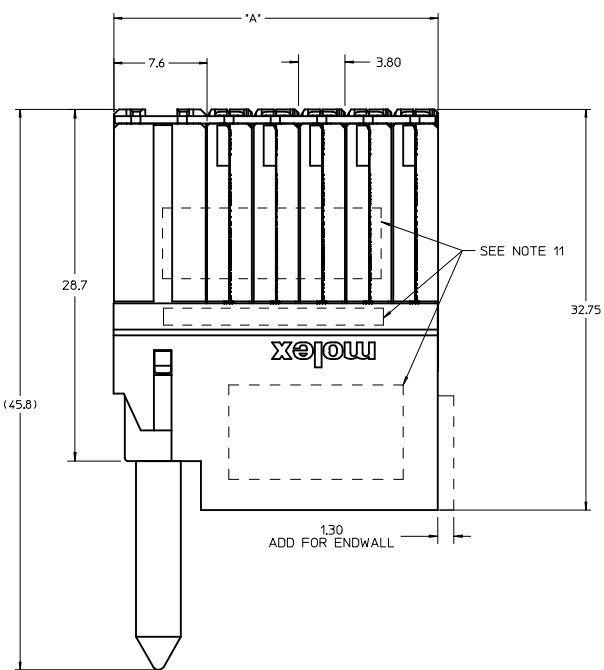
MODULE TYPE
 3 = LEFT GUIDED, LEAD-FREE
 7 = LEFT GUIDED, LEAD-FREE W/ ENDWALL

OF COLUMNS
 1 = 10 COLUMNS
 6 = 16 COLUMNS
 8 = 8 COLUMNS

PIN LENGTH (P)
 4 = 4.90 (0.46 PTH)
 5 = 5.50 (0.46 PTH)
 7 = 4.90 (0.39 PTH)
 8 = 5.50 (0.39 PTH)

KEY ORIENTATION
 0 = NO KEY
 1 = A 5 = E
 2 = B 6 = F
 3 = C 7 = G
 4 = D 8 = H

- NOTES:
- MATERIALS: HOUSING - LIQUID CRYSTAL POLYMER (LCP). GLASS-FILLED, UL94V-0. TERMINALS - HIGH PERFORMANCE COPPER ALLOY.
 - FINISH: 30μN SELECTIVE GOLD IN CONTACT AREA. SELECTIVE TIN ON PCB TAILS, NICKEL OVERALL.
 - REFER TO MOLEX PRODUCT SPECIFICATION PS-76060-999 FOR PERFORMANCE SPECIFICATIONS AND ADDITIONAL PCB INFORMATION.
 - EACH SIGNAL WAFER CONTAINS 2 COLUMNS OF TERMINALS.
 - PRODUCT IS PACKAGED PER PK-70873-041.
 - THIS PART CONFORMS TO CLASS B REQUIREMENTS OF COSMETIC SPEC PS-45499-002.
 - REFER TO MOLEX SALES DRAWING SD-76160-004 FOR THE MATING RECEPTACLES.
 - REFER TO MOLEX PCB ROUTING GUIDE AS-76060-990 FOR ANTIPAD AND ROUTING RECOMMENDATIONS.
 - WHEN USING MOLEX SUPPLIED #2-32 SCREW 73726-0000 (9.50mm ±0.38 THREADABLE SCREW LENGTH), THE MAXIMUM BOARD THICKNESS IS 4.4mm.
 - GUIDE LEFT RAM MATES TO GUIDE RIGHT DAUGHTERCARD.

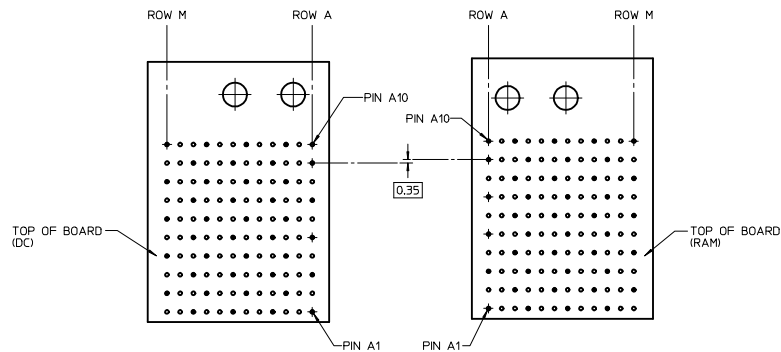
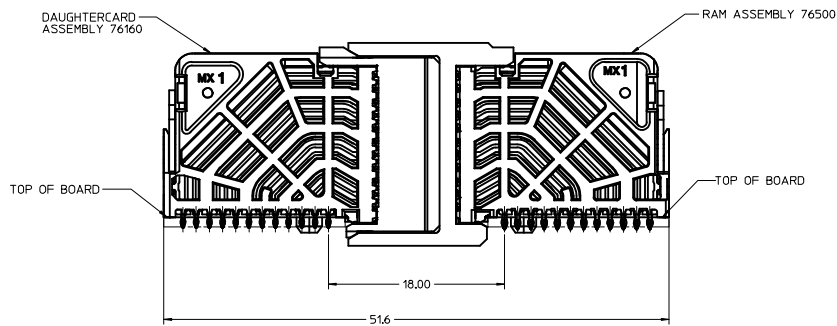


RAM HOLE PATTERN (CONNECTOR SIDE)

ADD LASER MARK INFO IEC NO. UCP2016-3973 DRAWN BY DRWN:VARARA CHKD:TELO APPR:TELO DATE 2015/07/29 DATE 2016/02/22 DATE 2016/04/20	QUALITY SYMBOLS ∇=0 ∇=0 ∇=0	GENERAL TOLERANCES (UNLESS SPECIFIED)	DIMENSION STYLE	SCALE	DESIGN UNITS	THIRD ANGLE PROJECTION	
		mm INCH	MM ONLY	5:1	METRIC	☉	
		4 PLACES ±--- ±---	DRAWN BY	DATE	TITLE		
		3 PLACES ±--- ±---	JOUILLES	2008/12/03	IMPACT 4 PAIR RAM GUIDE LEFT SIGNAL MODULE SALES DWG		
2 PLACES ±0.13 ±---	CHECKED BY	DATE	molex				
1 PLACE ±0.25 ±---	JLAURX	2008/12/04	DOCUMENT NO. SD-76500-002				
0 PLACE ±--- ±---	APPROVED BY	DATE	SHEET NO. 1 OF 2				
JLAURX	JLAURX	2008/12/05	MATERIAL NO. SEE TABLE				
ANGULAR ±1/2°		DRAFT WHERE APPLICABLE MUST REMAIN WITHIN DIMENSIONS		THIS DRAWING CONTAINS INFORMATION THAT IS PROPRIETARY TO MOLEX INCORPORATED AND SHOULD NOT BE USED WITHOUT WRITTEN PERMISSION			

20 19 18 17 16 15 14 13 12 11 10 9 8 7 6 5 4 3 2 1

COPLANAR APPLICATION



COPLANAR MATED SIGNAL PATHS

DC PIN A10-----RAM PIN A10
 DC PIN A1-----RAM PIN A1

SEE SHEET 1 DEC NO: UCP2016-3973 DRAWN: VARARA 2015/07/29 CHKD: TELO 2016/02/22 APPR: TELO 2016/04/20	QUALITY SYMBOLS	GENERAL TOLERANCES (UNLESS SPECIFIED)	DIMENSION STYLE	SCALE	DESIGN UNITS	THIRD ANGLE PROJECTION	
	▽=0	mm INCH	MM ONLY	4:1	METRIC	☉	
	▽=0	4 PLACES ± --- ± ---	DRAWN BY	DATE	TITLE		
	▽=0	3 PLACES ± --- ± ---	JOUILLES	2008/12/03	IMPACT 4 PAIR RAM		
	2 PLACES ± 0.13 ± ---	CHECKED BY	DATE	GUIDE LEFT			
	1 PLACE ± 0.25 ± ---	JLAURX	2008/12/04	SIGNAL MODULE SALES DWG			
	0 PLACE ± --- ± ---	APPROVED BY	DATE	molex			
		JLAURX	2008/12/05				
	ANGULAR ± 1/2°	MATERIAL NO.	DATE				
	DRAFT WHERE APPLICABLE	SEE TABLE					
	MUST REMAIN WITHIN DIMENSIONS	DOCUMENT NO.					
		SD-76500-002					
		SHEET NO.					
		2 OF 2					
		THIS DRAWING CONTAINS INFORMATION THAT IS PROPRIETARY TO MOLEX INCORPORATED AND SHOULD NOT BE USED WITHOUT WRITTEN PERMISSION					

19 18 17 16 15 14 13 12 11 10 9 8 7 6 5 4 3 2 1

MATERIAL NUMBER	# OF COLUMNS	# OF DIFF PAIR	DIM 'A' MAX	DIM 'B'	PTH ϕ
76500-w8**	8	32	22.80	13.30	0.46+0.05
76500-w1**	10	40	26.60	17.10	0.46+0.05
76500-w6**	16	64	38.00	28.50	0.46+0.05
76500-w8**	8	32	22.80	13.30	0.39+0.05
76500-w1**	10	40	26.60	17.10	0.39+0.05
76500-w6**	16	64	38.00	28.50	0.39+0.05

76500-****

MODULE TYPE
 3 = LEFT GUIDED, LEAD-FREE
 7 = LEFT GUIDED, LEAD-FREE W/ ENDWALL

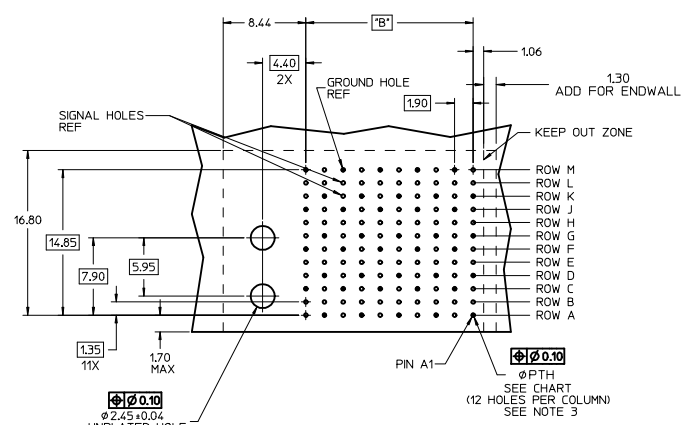
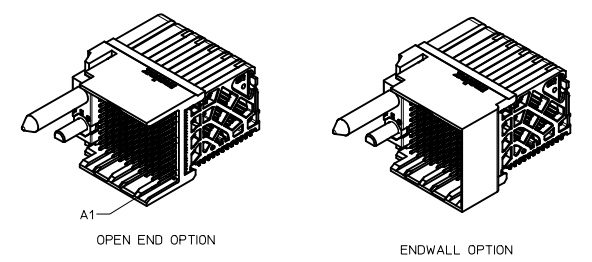
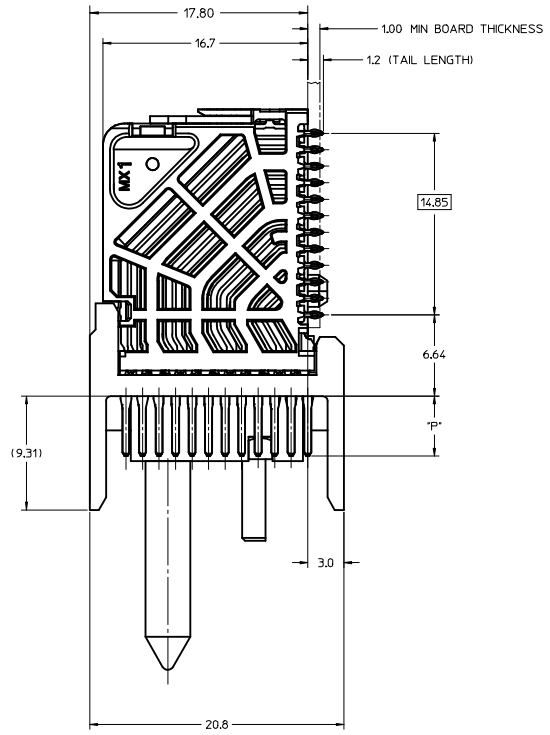
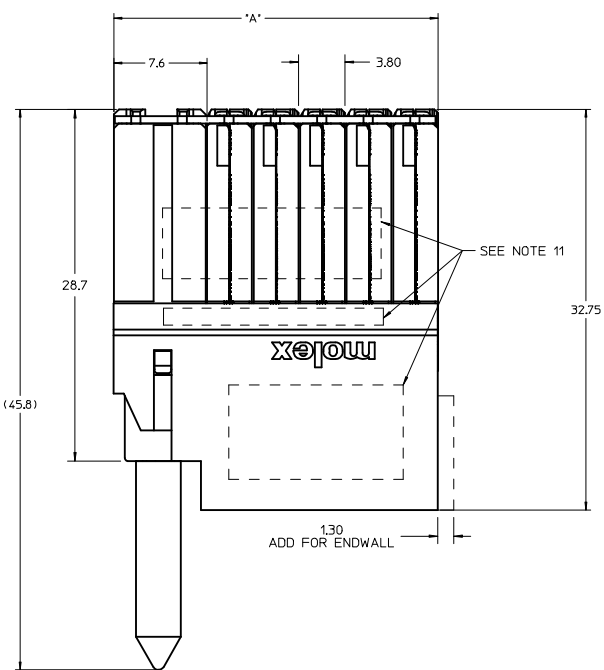
OF COLUMNS
 1 = 10 COLUMNS
 6 = 16 COLUMNS
 8 = 8 COLUMNS

PIN LENGTH (P)
 4 = 4.90 (0.46 PTH)
 5 = 5.50 (0.46 PTH)
 7 = 4.90 (0.39 PTH)
 8 = 5.50 (0.39 PTH)

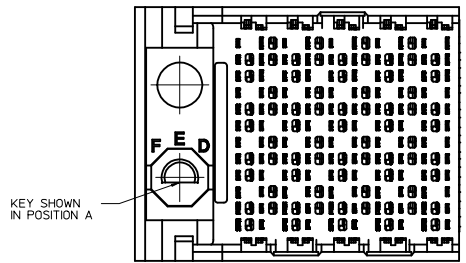
KEY ORIENTATION
 0 = NO KEY
 1 = A 5 = E
 2 = B 6 = F
 3 = C 7 = G
 4 = D 8 = H

NOTES:

- MATERIALS: HOUSING - LIQUID CRYSTAL POLYMER (LCP), GLASS-FILLED, UL94V-0
 TERMINALS - HIGH PERFORMANCE COPPER ALLOY
- FINISH: 30 μ m SELECTIVE GOLD IN CONTACT AREA, SELECTIVE TIN ON PCB TAILS, NICKEL OVERALL.
- REFER TO MOLEX PRODUCT SPECIFICATION PS-76060-999 FOR PERFORMANCE SPECIFICATIONS AND ADDITIONAL PCB INFORMATION.
- EACH SIGNAL WAFER CONTAINS 2 COLUMNS OF TERMINALS.
- PRODUCT IS PACKAGED PER PK-70873-041.
- THIS PART CONFORMS TO CLASS B REQUIREMENTS OF COSMETIC SPEC PS-45499-002.
- REFER TO MOLEX SALES DRAWING SD-76160-004 FOR THE MATING RECEPTACLES.
- REFER TO MOLEX PCB ROUTING GUIDE AS-76060-990 FOR ANTIPAD AND ROUTING RECOMMENDATIONS.
- WHEN USING MOLEX SUPPLIED #2-32 SCREW 73726-0000 (9.50mm \pm 0.38 THREADABLE SCREW LENGTH), THE MAXIMUM BOARD THICKNESS IS 4.4mm.
- GUIDE LEFT RAM MATES TO GUIDE RIGHT DAUGHTERCARD.



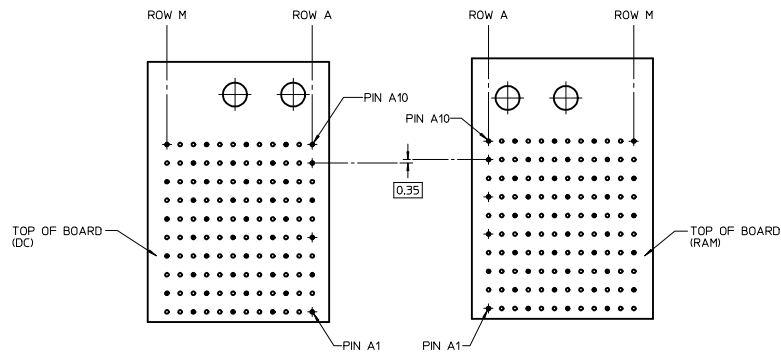
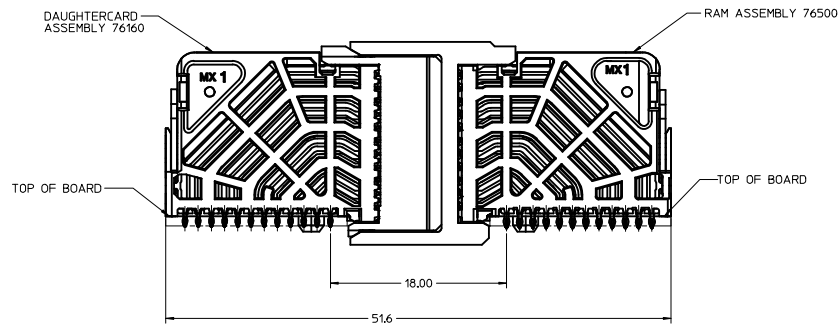
RAM HOLE PATTERN (CONNECTOR SIDE)



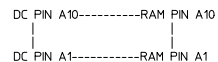
ADD LASER MARK INFO IEC NO. UCF2016-3973 DRAWN BY DRWNSDVARARA 2015/07/29 CHECKED BY CHXD:TELO 2016/02/22 APPROVED BY APPR:TELO 2016/04/20	QUALITY SYMBOLS ∇=0 ∇=0 ∇=0	GENERAL TOLERANCES (UNLESS SPECIFIED) mm INCH 4 PLACES ±--- ±--- 3 PLACES ±--- ±--- 2 PLACES ±0.13 ±--- 1 PLACE ±0.25 ±--- 0 PLACE ±--- ±---	DIMENSION STYLE MM ONLY DRAWN BY DATE JOUILLES 2008/12/03 CHECKED BY DATE JLAURX 2008/12/04 APPROVED BY DATE JLAURX 2008/12/05	SCALE 5:1 DESIGN UNITS METRIC THIRD ANGLE PROJECTION	
		ANGULAR ±1/2° DRAFT WHERE APPLICABLE MUST REMAIN WITHIN DIMENSIONS	MATERIAL NO. SEE TABLE	DOCUMENT NO. SD-76500-002	SHEET NO. 1 OF 2
		THIS DRAWING CONTAINS INFORMATION THAT IS PROPRIETARY TO MOLEX INCORPORATED AND SHOULD NOT BE USED WITHOUT WRITTEN PERMISSION			

20 19 18 17 16 15 14 13 12 11 10 9 8 7 6 5 4 3 2 1

COPLANAR APPLICATION



COPLANAR MATED SIGNAL PATHS



SEE SHEET 1 DEC NO: UCP2016-3973 DRAWN: VARARA 2015/07/29 CHKD: TELO 2016/02/22 APPR: TELO 2016/04/20	QUALITY SYMBOLS	GENERAL TOLERANCES (UNLESS SPECIFIED)	DIMENSION STYLE	SCALE	DESIGN UNITS	THIRD ANGLE PROJECTION
	▽=0	mm INCH	MM ONLY	4:1	METRIC	
	▽=0	4 PLACES ± --- ± ---				
	▽=0	3 PLACES ± --- ± ---				
		ANGULAR ±1/2°	DRAWN BY	DATE	TITLE	
		DRAFT WHERE APPLICABLE MUST REMAIN WITHIN DIMENSIONS	JLAURX	2008/12/03	IMPACT 4 PAIR RAM GUIDE LEFT SIGNAL MODULE SALES DWG	
			CHECKED BY	DATE	molex	
			JLAURX	2008/12/04		
			APPROVED BY	DATE	MATERIAL NO.	DOCUMENT NO.
			JLAURX	2008/12/05	SEE TABLE	SD-76500-002
					SIZE	SHEET NO.
					D THIS DRAWING CONTAINS INFORMATION THAT IS PROPRIETARY TO MOLEX INCORPORATED AND SHOULD NOT BE USED WITHOUT WRITTEN PERMISSION	2 OF 2

19 18 17 16 15 14 13 12 11 10 9 8 7 6 5 4 3 2 1