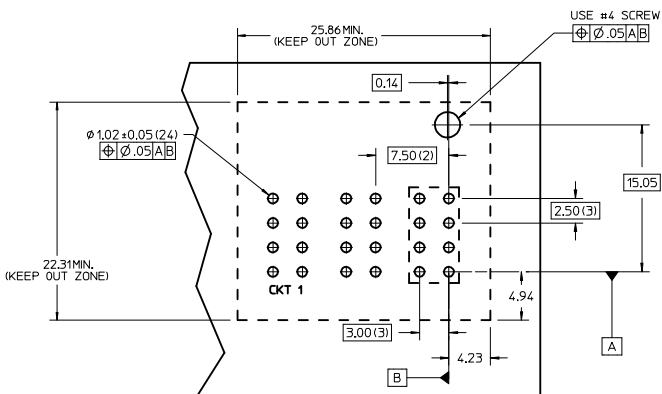
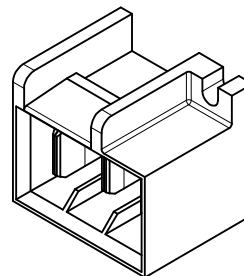
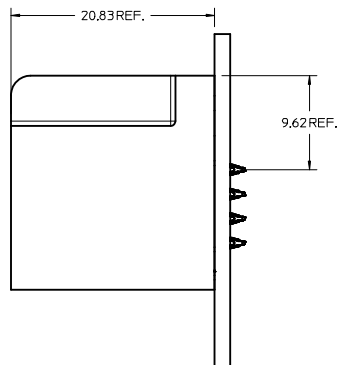
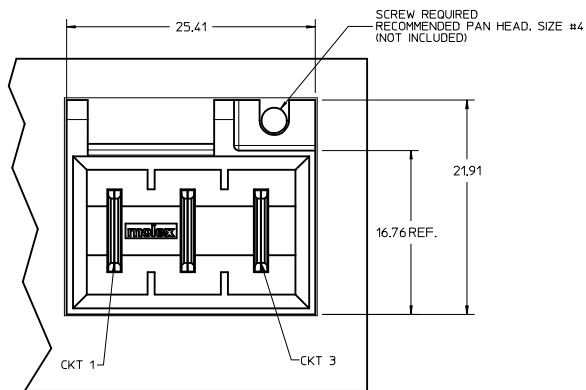


ITEM	MOLEX P/N:	DESCRIPTION	PLATING SPEC:
1	76546-0004	3-CKT CONNECTOR TIN PLATING (CONTACT AREA)	0.00254 MATTE TIN OVERALL, OVER 0.00127 NICKEL.
2	76546-0005	3-CKT CONNECTOR GOLD PLATING (CONTACT AREA ONLY)	0.000127 NICKEL OVERALL WITH 0.00254 MATTE TIN ON TAILS AND 0.000762 SELECTIVE GOLD ON CONTACT AREA.

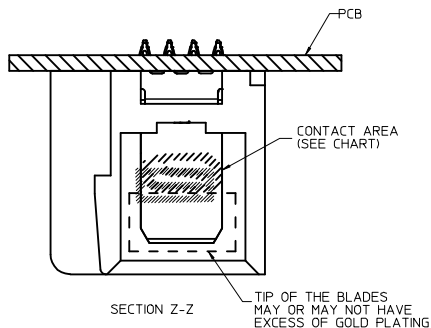
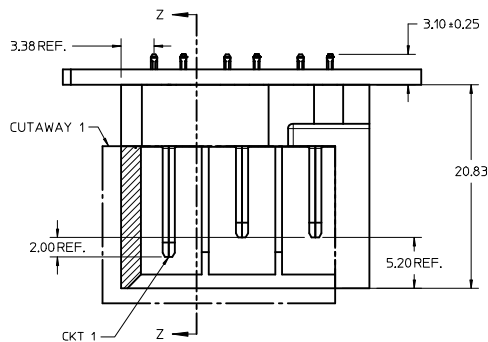


NOTES:

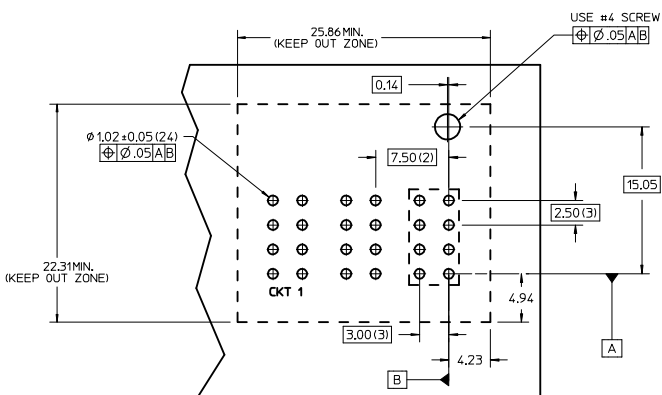
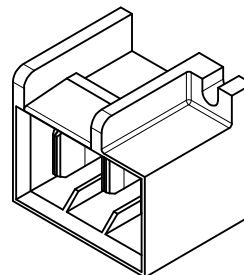
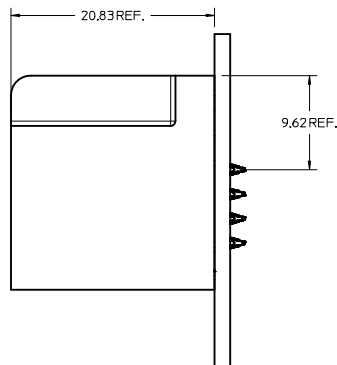
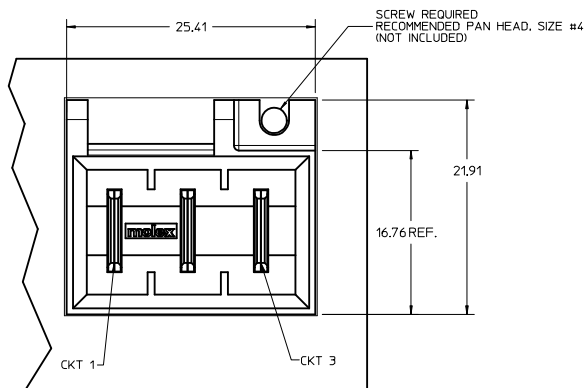
- MATERIAL:  
-HOUSINGS: PBT 30% UL-94, V-0: COLOR BLACK  
-TERMINALS: COPPER ALLOY  
-PLATING: SEE CHART
- PACKAGING: ASSEMBLIES TO BE TRAY PACKED PER PACKAGING SPEC PK-76546-xxx
- PRODUCT SPEC: PS-46436-100
- APPLICATION SPEC: AS-46436-100
- PRODUCT TO MEET RoHS REQUIREMENTS
- ASSEMBLY MATES TO MOLEX RECEPTACLE HARNESS ASSEMBLY, P/N 46586-1003
- MATES TO 46586-0003

RECOMMENDED PCB LAYOUT AND KEEP OUT ZONE

REN P/N'S 76546-0006 & 0007 IEC NO: UCP2014-0600 DRAWN: OULLES 2013/08/08 CHKD: PISZCZOR 2013/08/08 APPR: APATEL 2013/09/05 REV DESCRIPTION	QUALITY SYMBOLS	GENERAL TOLERANCES (UNLESS SPECIFIED)	DIMENSION STYLE	SCALE	DESIGN UNITS	THIRD ANGLE PROJECTION
	▽=0	mm INCH	MM ONLY	4:1	METRIC	☉
	▽=0	4 PLACES ±--- +---	DRAWN BY DATE			
	▽=0	3 PLACES ±--- +---	2007/09/10			
	2 PLACES ±0.25 ±---	CHECKED BY DATE				TITLE
	1 PLACE ±0.25 ±---	2007/09/10				3-CKT VERTICAL PLUG ASSY
	0 PLACE ±--- ±---	APPROVED BY DATE				PRESS-FIT,
		2007/10/10				TEN60 FAMILY, VERTICAL
						<b>molex</b>
						MATERIAL NO. DOCUMENT NO.
						SEE TABLE SD-76546-004
						SHEET NO.
						1 OF 1
						THIS DRAWING CONTAINS INFORMATION THAT IS PROPRIETARY TO MOLEX INCORPORATED AND SHOULD NOT BE USED WITHOUT WRITTEN PERMISSION



ITEM	MOLEX P/N:	DESCRIPTION	PLATING SPEC:
1	76546-0004	3-CKT CONNECTOR TIN PLATING (CONTACT AREA)	0.00254 MATTE TIN OVERALL, OVER 0.00127 NICKEL.
2	76546-0005	3-CKT CONNECTOR GOLD PLATING (CONTACT AREA ONLY)	0.000127 NICKEL OVERALL WITH 0.00254 MATTE TIN ON TAILS AND 0.000762 SELECTIVE GOLD ON CONTACT AREA.



NOTES:

- MATERIAL:  
-HOUSINGS: PBT 30% UL-94, V-0: COLOR BLACK  
-TERMINALS: COPPER ALLOY  
-PLATING: SEE CHART
- PACKAGING: ASSEMBLIES TO BE TRAY PACKED PER PACKAGING SPEC PK-76546-xxx
- PRODUCT SPEC: PS-46436-100
- APPLICATION SPEC: AS-46436-100
- PRODUCT TO MEET RoHS REQUIREMENTS
- ASSEMBLY MATES TO MOLEX RECEPTACLE HARNESS ASSEMBLY, P/N 46586-1003
- MATES TO 46586-0003

RECOMMENDED PCB LAYOUT AND KEEP OUT ZONE

REN P/N'S 76546-0006 & 0007 IEC NO: UCP2014-0600 DRAWN: OUILES 2013/08/08 CHKD: PISZCZOR 2013/08/08 APPR: APATEL 2013/09/05	QUALITY SYMBOLS ∇=0 ∇=0 ∇=0	GENERAL TOLERANCES (UNLESS SPECIFIED)		DIMENSION STYLE MM ONLY		SCALE 4:1	DESIGN UNITS METRIC	THIRD ANGLE PROJECTION
		4 PLACES ±---+--- 3 PLACES ±---+--- 2 PLACES ±0.25+--- 1 PLACE ±0.25+--- 0 PLACE ±---+---	mm INCH +---+--- +---+--- +---+--- +---+--- +---+--- +---+--- +---+--- +---+--- +---+--- +---+---	DRAWN BY BKOSTIC	DATE 2007/09/10	CHECKED BY BKOSTIC	DATE 2007/09/10	APPROVED BY BKOSTIC
MATERIAL NO. SEE TABLE		DOCUMENT NO. SD-76546-004		SHEET NO. 1 OF 1		THIS DRAWING CONTAINS INFORMATION THAT IS PROPRIETARY TO MOLEX INCORPORATED AND SHOULD NOT BE USED WITHOUT WRITTEN PERMISSION		