

MATERIAL NUMBER	# OF COLUMNS	# OF DIFF PAIR	DIM "A" MAX	DIM "B"	PTH ϕ
76560-11**	10	60	19.00	17.10	0.46 \pm 0.05
76560-17**	14	84	26.60	24.70	0.46 \pm 0.05
76560-16**	16	96	30.40	28.50	0.46 \pm 0.05
76560-11**	10	60	19.00	17.10	0.39 \pm 0.05
76560-17**	14	84	26.60	24.70	0.39 \pm 0.05
76560-16**	16	96	30.40	28.50	0.39 \pm 0.05

76560-****

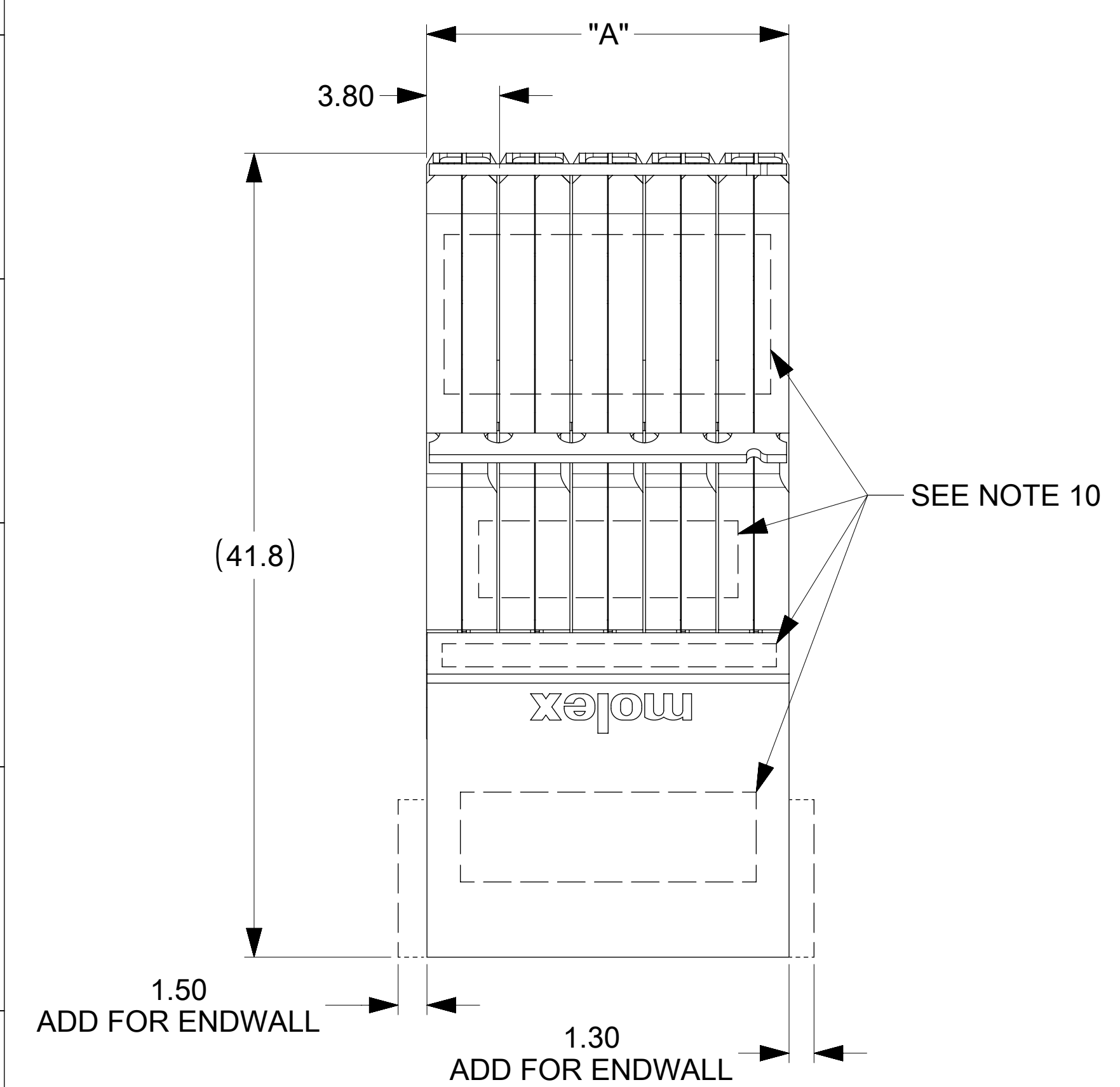
MODULE TYPE
1 = UNGUIDED, LEAD-FREE

PIN LENGTH (P)
4 = 4.90 (0.46 PTH)
5 = 5.50 (0.46 PTH)
7 = 4.90 (0.39 PTH)
8 = 5.50 (0.39 PTH)

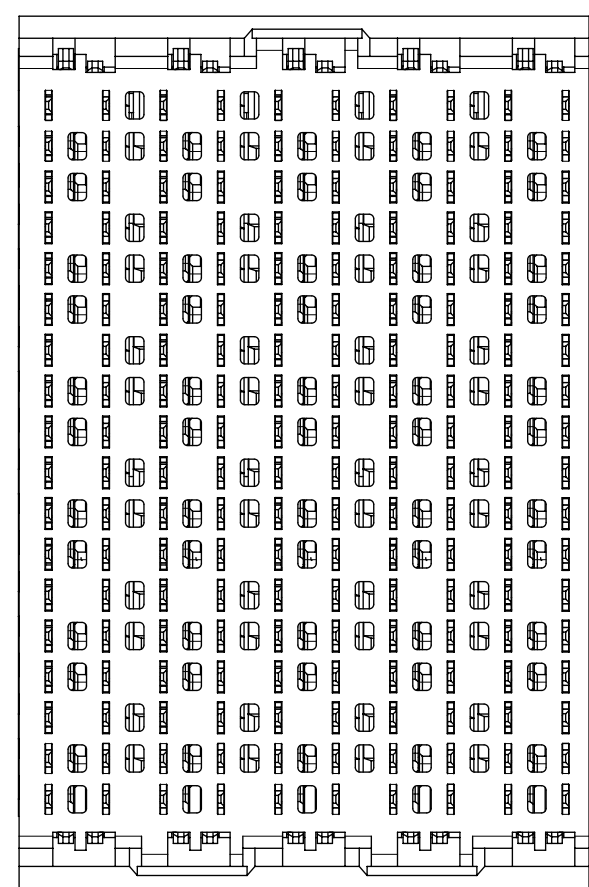
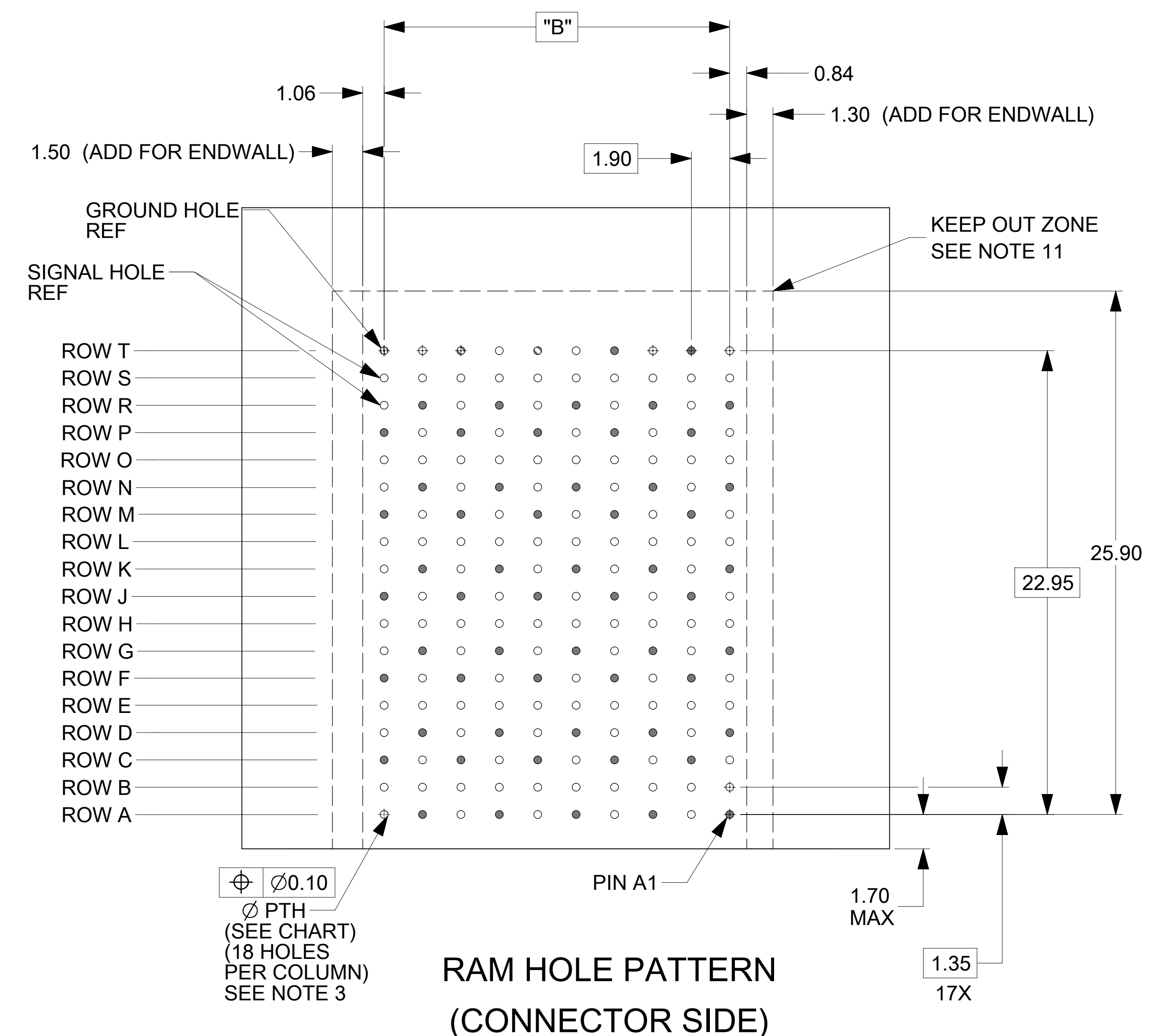
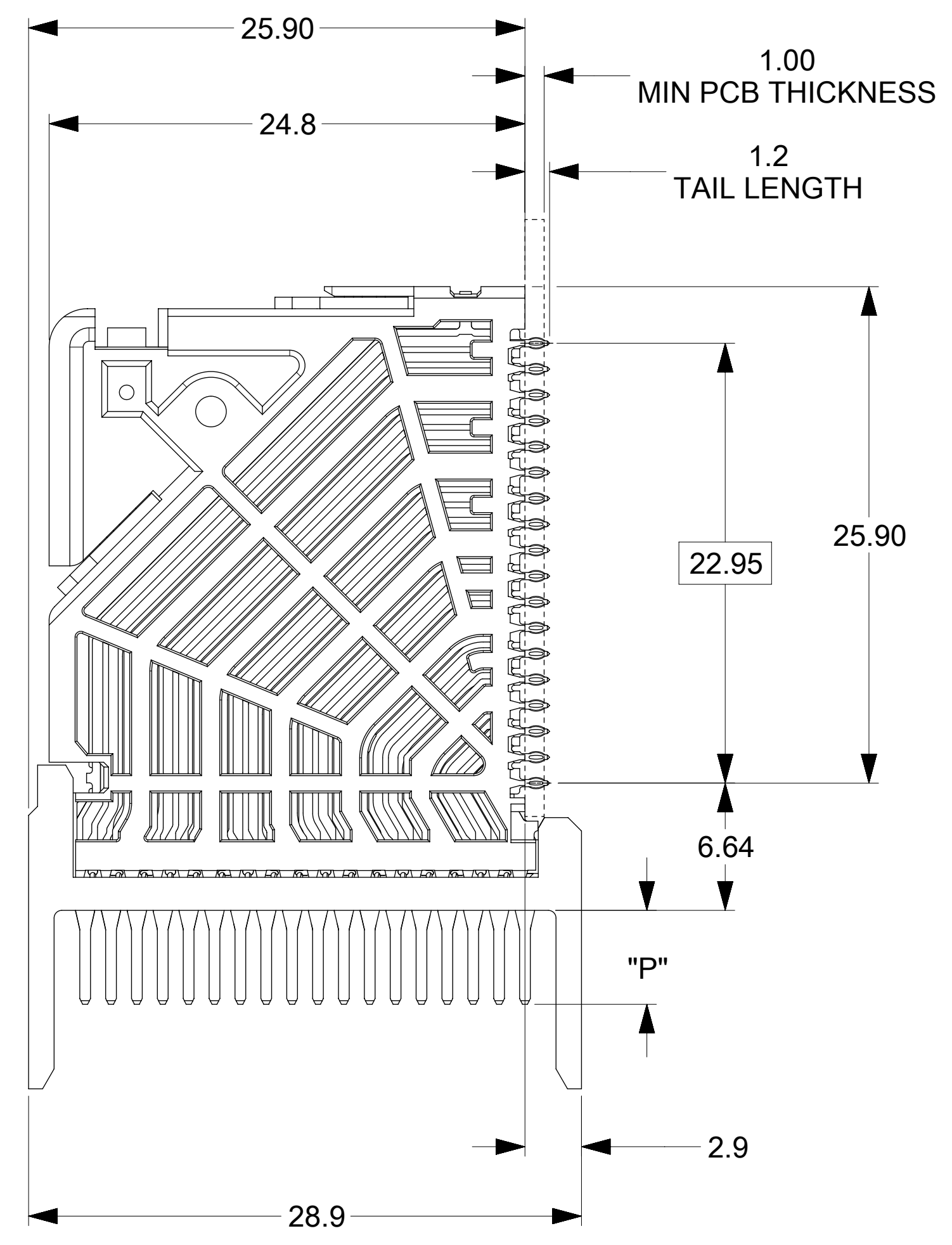
OF COLUMNS
1 = 10 COLUMNS
6 = 16 COLUMNS
7 = 14 COLUMNS

END WALL OPTIONS
0 = OPEN
1 = LEFT END WALL
2 = DUAL END WALL
3 = RIGHT END WALL

- NOTES:
- MATERIALS: HOUSING - LIQUID CRYSTAL POLYMER (LCP), GLASS-FILLED, UL94V-0
TERMINALS - HIGH PERFORMANCE COPPER ALLOY
 - FINISH: 30 μ M SELECTIVE GOLD IN CONTACT AREA, SELECTIVE TIN ON PCB TAILS, NICKEL OVERALL.
 - REFER TO MOLEX PRODUCT SPECIFICATION PS-76060-999 FOR PERFORMANCE SPECIFICATIONS AND ADDITIONAL PCB INFORMATION.
 - EACH SIGNAL WAFER CONTAINS 2 COLUMNS OF TERMINALS.
 - PRODUCT IS PACKAGED PER PK-70873-777.
 - THIS PART CONFORMS TO CLASS B REQUIREMENTS OF COSMETIC SPEC PS-45499-002.
 - REFER TO MOLEX SALES DRAWING SD-76150-001 FOR THE MATING RECEPTACLES.
 - REFER TO MOLEX PCB ROUTING GUIDE AS-76060-990 FOR ANTIPAD AND ROUTING RECOMMENDATIONS.
 - OPEN WALL VERSION SHOWN FOR CLARITY. SEE PCB LAYOUT FOR OVERALL LENGTH ADDITION ON THE ASSEMBLIES WITH ENDWALLS.
 - MARKING: LOCATED APPROXIMATELY AS SHOWN. PART NUMBER AND DATE CODE.
 - THESE DIMENSIONS REPRESENT THE AREA NEEDED TO ACCOMMODATE CONNECTOR INSERTION AND REPAIR ON THE PCB. THIS IS REFERRED TO AS THE "CONNECTOR KEEP OUT ZONE" AND DOES NOT REPRESENT THE ACTUAL PERIMETER OF THE CONNECTOR.

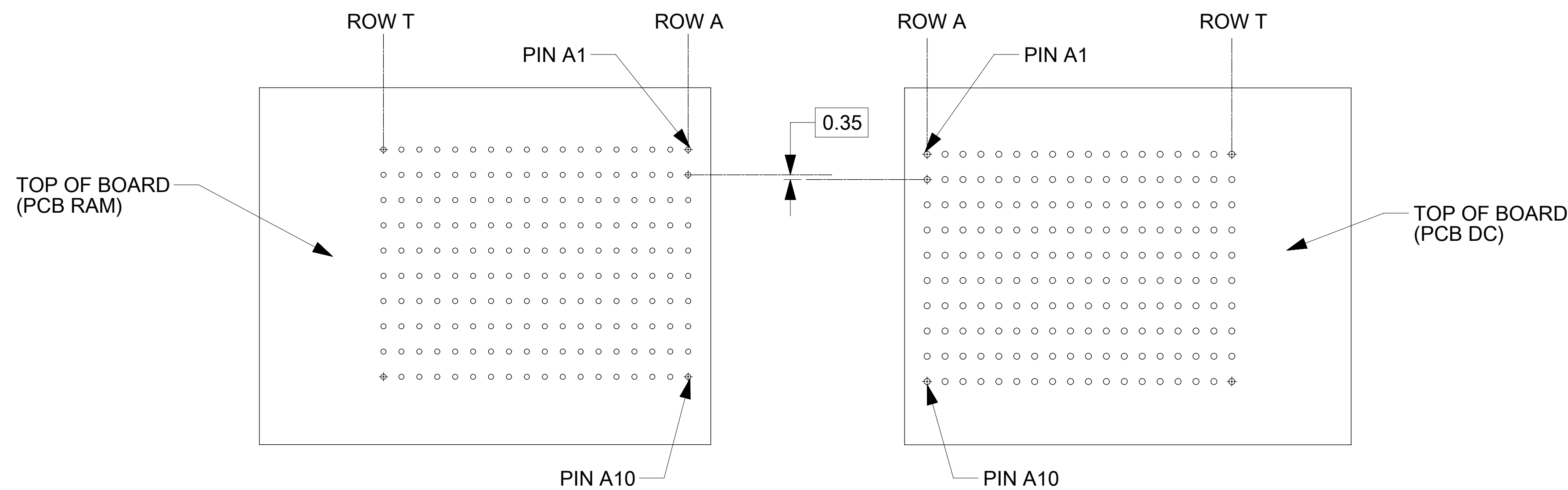
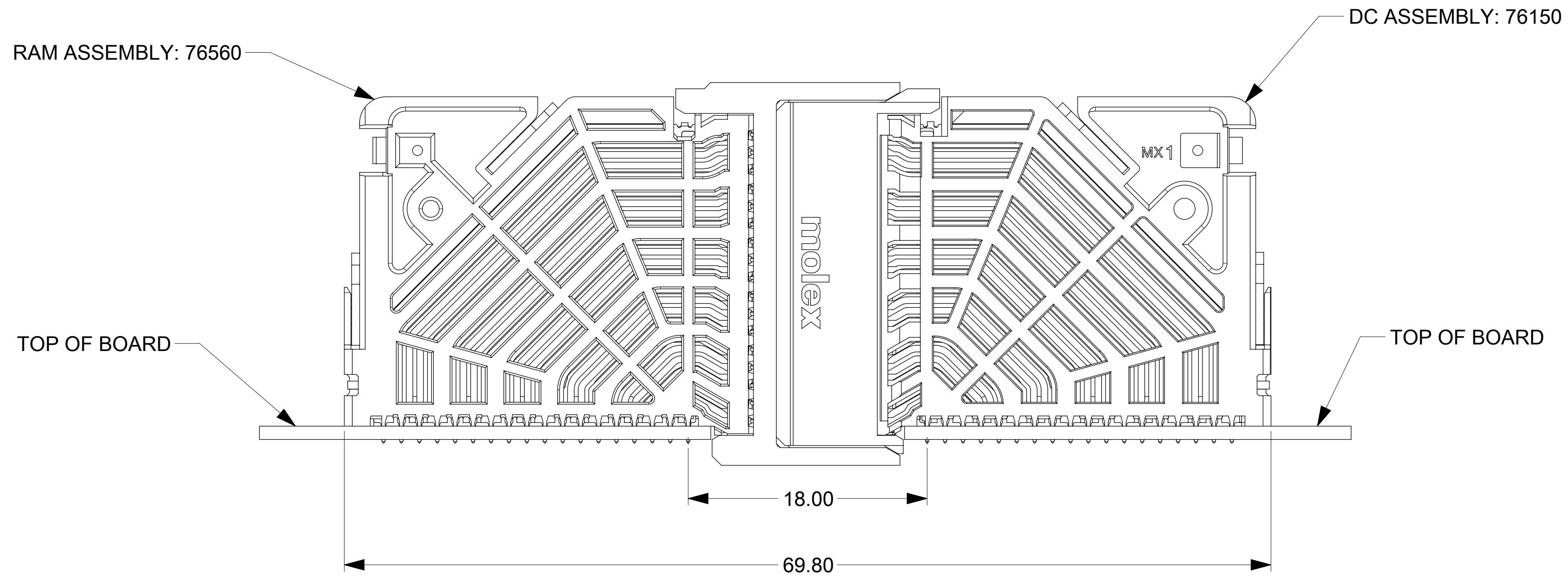


SEE NOTE 10

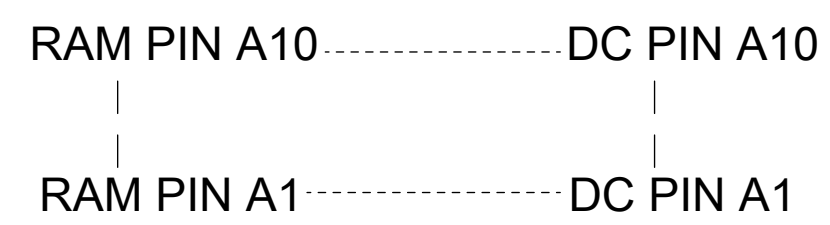


SYMBOLS	THIS DRAWING CONTAINS INFORMATION THAT IS PROPRIETARY TO MOLEX ELECTRONIC TECHNOLOGIES, LLC AND SHOULD NOT BE USED WITHOUT WRITTEN PERMISSION		
	DIMENSION UNITS	SCALE	CURRENT REV DESC: CORRECT PIN CALLOUTS
$\nabla = 0$	mm	4:1	
$\nabla = 0$	GENERAL TOLERANCES (UNLESS SPECIFIED)		
$\nabla = 0$	ANGULAR TOL $\pm 0.5^\circ$		
$\nabla = 0$	4 PLACES	\pm	EC NO: 607222
$\nabla = 0$	3 PLACES	\pm	DRWN: DVARVARA 2018/11/06
$\nabla = 0$	2 PLACES	± 0.13	CHK'D: DMORGAN 2018/11/06
$\nabla = 0$	1 PLACE	± 0.25	APPR: DMORGAN 2018/11/06
$\nabla = 0$	0 PLACES	\pm	INITIAL REVISION:
$\nabla = 0$	DRAFT WHERE APPLICABLE MUST REMAIN WITHIN DIMENSIONS		
$\nabla = 0$	THIRD ANGLE PROJECTION	DRAWING	SERIES
		D-SIZE	76560
		MATERIAL NUMBER	CUSTOMER
		SEE TABLE	GENERAL MARKET
		DOCUMENT NUMBER	DOC TYPE DOC PART REVISION
		SD-76560-9001	PSD 001 A2
		SHEET NUMBER	1 OF 2

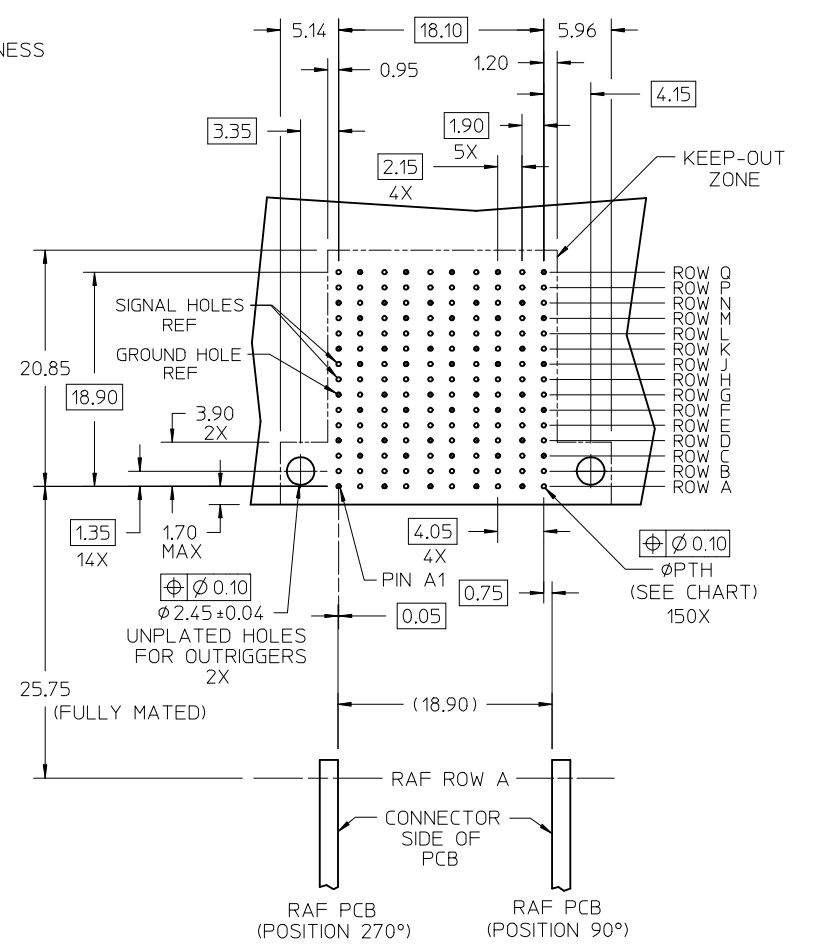
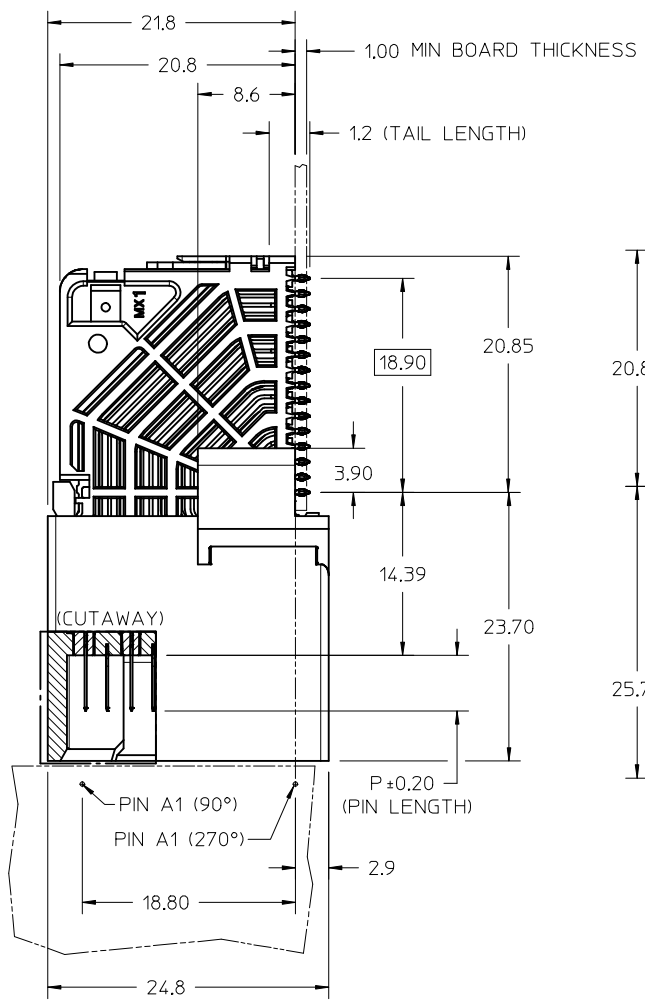
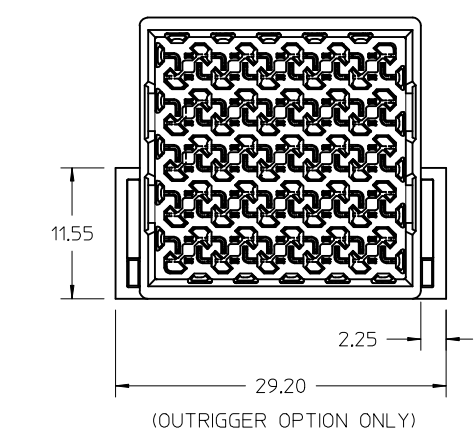
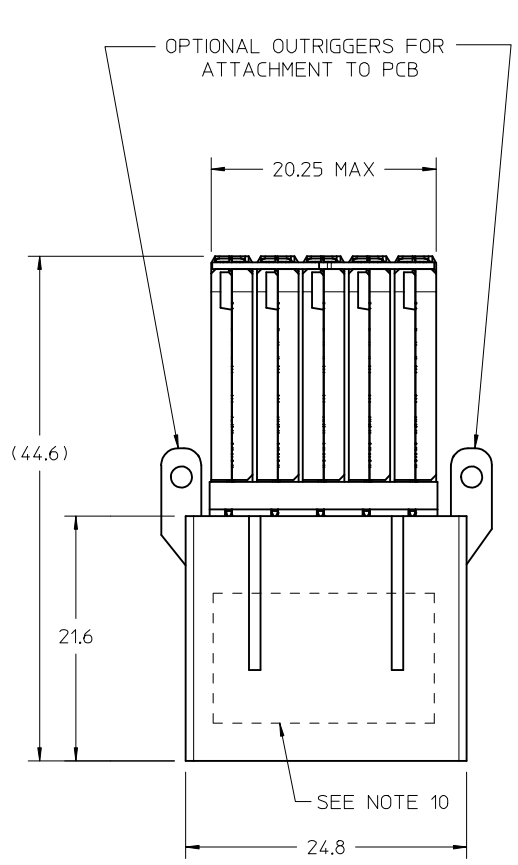
COPLANER APPLICATION



COPLANER MATED SIGNAL PATHS

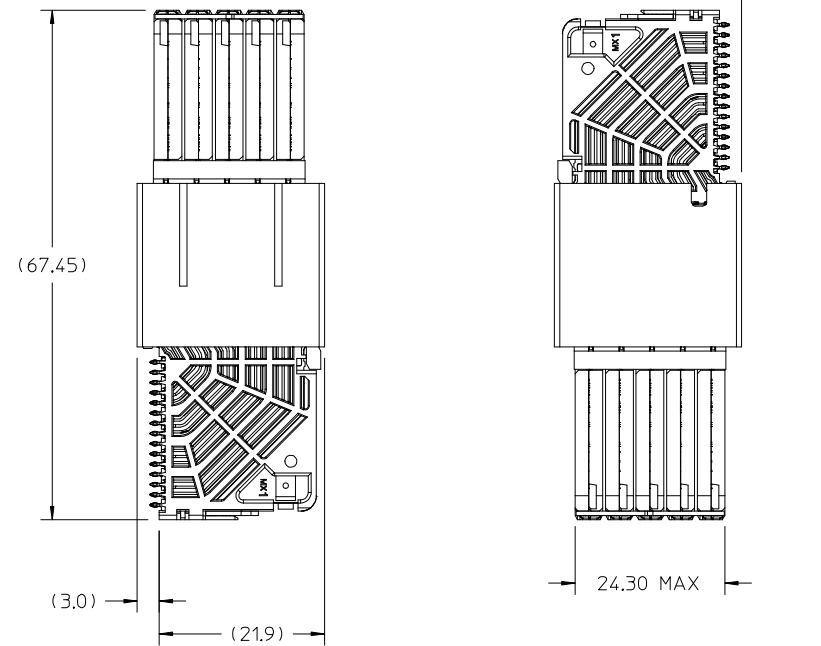


SYMBOLS	THIS DRAWING CONTAINS INFORMATION THAT IS PROPRIETARY TO MOLEX ELECTRONIC TECHNOLOGIES, LLC AND SHOULD NOT BE USED WITHOUT WRITTEN PERMISSION		
	DIMENSION UNITS	SCALE	CURRENT REV DESC: CORRECT PIN CALLOUTS
▽ = 0	mm	4:1	EC NO: 607222 DRWN: DVARVARA 2018/11/06 CHK'D: DMORGAN 2018/11/06 APPR: DMORGAN 2018/11/06 INITIAL REVISION: DRWN: JGONZALEZ01 2014/11/24 APPR: TELO 2016/01/10
▽ = 0	GENERAL TOLERANCES (UNLESS SPECIFIED)		
▽ = 0	ANGULAR TOL ± 0.5°		
▽ = 0	4 PLACES	±	
▽ = 0	3 PLACES	±	
▽ = 0	2 PLACES	± 0.13	DOCUMENT NUMBER SD-76560-9001
▽ = 0	1 PLACE	± 0.25	
▽ = 0	0 PLACES	±	DOC PART 001
☒ = 0	DRAFT WHERE APPLICABLE MUST REMAIN WITHIN DIMENSIONS		REVISION A2
▽ = 0	THIRD ANGLE PROJECTION	DRAWING	SHEET NUMBER 2 OF 2
		SERIES D-SIZE 76560	MATERIAL NUMBER SEE TABLE
			CUSTOMER GENERAL MARKET

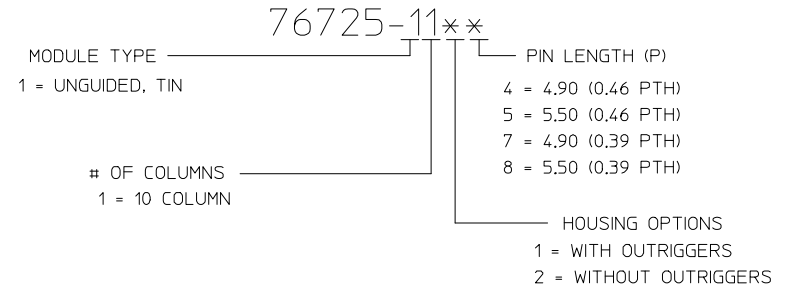


OD-RAM HOLE PATTERN
(CONNECTOR SIDE)

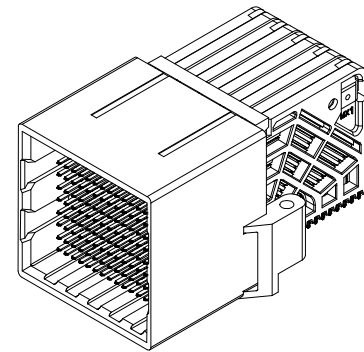
UPDATE TP. LASER MARK EC NO: UCP2016-3973 DRWNG:VARVARA 2015/08/24 CHKD:TELO 2016/02/22 APPR:TELO 2016/04/20	QUALITY SYMBOLS ▽=0 ▽=0	GENERAL TOLERANCES (UNLESS SPECIFIED)		DIMENSION STYLE MM ONLY	SCALE 3:1	DESIGN UNITS METRIC	THIRD ANGLE PROJECTION	
		4 PLACES ± --- ± ---	3 PLACES ± --- ± ---	DRAWN BY JMENDOZA	DATE 2011/04/11	TITLE IMPACT ORTHOGONAL DIRECT 5 PAIR RAM ASSEMBLY UNGUIDED SALES DRAWING		
		2 PLACES ± 0.13 ± ---	1 PLACE ± 0.25 ± ---	CHECKED BY JB INGHAM	DATE 2011/04/12	MOLEX INCORPORATED		
		ANGULAR ± 1/2°		APPROVED BY JB INGHAM	DATE 2011/04/21	MATERIAL NO. SEE CHART	DOCUMENT NO. SD-76725-001	SHEET NO. 1 OF 4
DRAFT WHERE APPLICABLE MUST REMAIN WITHIN DIMENSIONS		SIZE C		THIS DRAWING CONTAINS INFORMATION THAT IS PROPRIETARY TO MOLEX INCORPORATED AND SHOULD NOT BE USED WITHOUT WRITTEN PERMISSION				



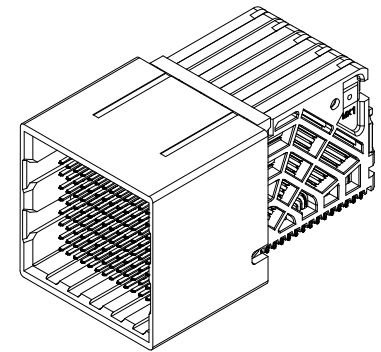
MATERIAL NUMBER	# OF COLUMNS	# OF DIFF PAIR	DIM P	PTH ϕ
76725-11*4	10	50	4.90	0.46±0.05
76725-11*5	10	50	5.50	0.46±0.05
76725-11*7	10	50	4.90	0.39±0.05
76725-11*8	10	50	5.50	0.39±0.05



MATED DIMENSIONS
(POSITION 270° SHOWN, WITHOUT OUTRIGGERS)



OD-RAM WITH OUTRIGGERS



OD-RAM WITHOUT OUTRIGGERS

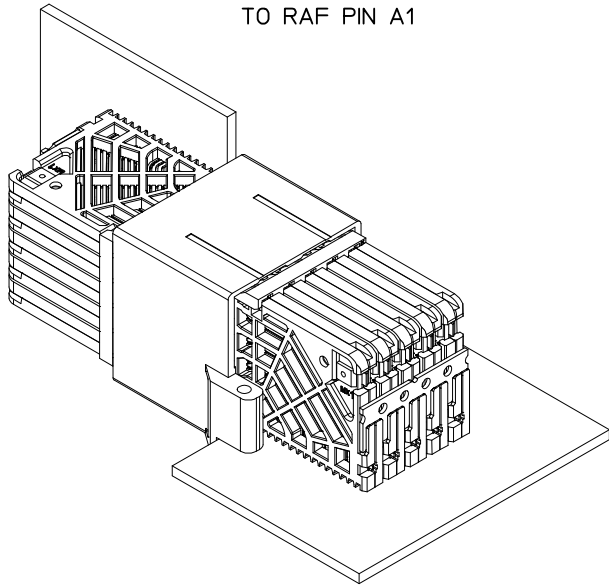
NOTES:

- MATERIALS: HOUSING - LIQUID CRYSTAL POLYMER (LCP)
GLASS-FILLED, UL94V-0
TERMINALS - HIGH PERFORMANCE COPPER ALLOY
- FINISH: 30 μ MIN GOLD IN CONTACT AREA.
SELECTIVE TIN ON PCB TAILS.
NICKEL OVERALL.
- REFER TO MOLEX PRODUCT SPECIFICATION PS-76060-999
FOR PERFORMANCE SPECIFICATIONS AND ADDITIONAL PCB INFORMATION.
- THIS PART CONFORMS TO CLASS B REQUIREMENTS OF
COSMETIC SPEC PS-45499-002.
- PACKAGE PER: PK-70873-8010.
- SEE SHEET 3 AND 4 FOR ORTHOGONAL PIN MAPPING.
- REFER TO MOLEX SALES DRAWING SD-76990-001 FOR THE MATING RECEPTACLES.
- REFER TO MOLEX ROUTING GUIDE AS-76850-990 FOR ADDITIONAL PCB LAYOUT
AND ROUTING RECOMMENDATIONS.
- CONNECTORS WITH OUTRIGGERS ARE SUPPLIED WITH TWO 2-32 THREAD
FORMING SCREWS.
- MARKING: LOCATED APPROXIMATELY AS SHOWN, ON BOTTOM OR TOP OF THE
HOUSING. PART NUMBER AND DATE CODE.

SEE SHEET 1 EC NO: UCP2016-3973 DRAWN BY: DRWINDYARVARA 2015/08/24 CHKD: TELO 2016/02/22 APPR: TELO 2016/04/20	QUALITY SYMBOLS ▽=0 ▽=0	GENERAL TOLERANCES (UNLESS SPECIFIED)		DIMENSION STYLE MM ONLY		SCALE 2:1	DESIGN UNITS METRIC	THIRD ANGLE PROJECTION	
		mm	INCH	DRAWN BY JMENDOZA	DATE 2011/04/11	TITLE IMPACT ORTHOGONAL DIRECT 5 PAIR RAM ASSEMBLY UNGUIDED SALES DRAWING			
A2	DESCRIPTION REV	4 PLACES	± ---	± ---	CHECKED BY JB INGHAM	DATE 2011/04/12	MOLEX MOLEX INCORPORATED DOCUMENT NO. SD-76725-001		
		3 PLACES	± ---	± ---	APPROVED BY JB INGHAM	DATE 2011/04/21			
		ANGULAR ±1/2°		MATERIAL NO. SEE CHART		THIS DRAWING CONTAINS INFORMATION THAT IS PROPRIETARY TO MOLEX INCORPORATED AND SHOULD NOT BE USED WITHOUT WRITTEN PERMISSION			
		DRAFT WHERE APPLICABLE MUST REMAIN WITHIN DIMENSIONS		SIZE C					

ORTHO POSITION 270°

OD-RAM PIN A1 MAPS
TO RAF PIN A1



ORTHO PIN MAPPING

OPTION 270 (NEAR SIDE - FARSIDE)

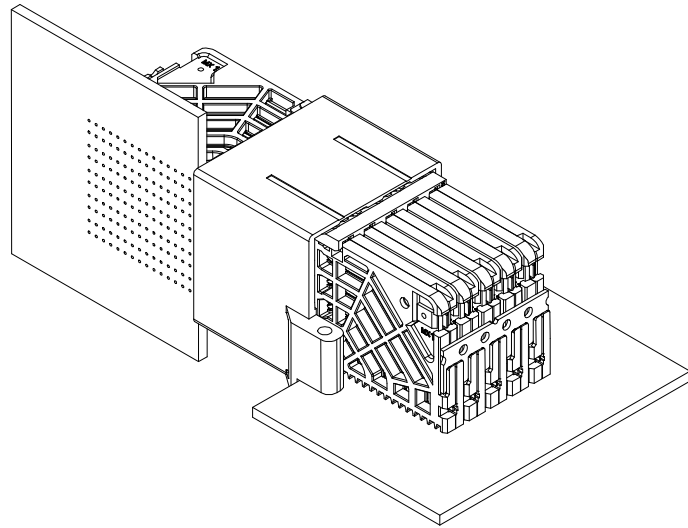
(A1-A1)	A2-B1	(A3-D1)	A4-E1	(A5-G1)	A6-H1	(A7-K1)	A8-L1	(A9-N1)	A10-P1
B1-A2	B2-C1	B3-D2	B4-F1	B5-G2	B6-J1	B7-K2	B8-M1	B9-N2	B10-O1
C1-B2	(C2-C2)	C3-E2	(C4-F2)	C5-H2	(C6-J2)	C7-L2	(C8-M2)	C9-P2	(C10-Q2)
(D1-A3)	D2-B3	(D3-D3)	D4-E3	(D5-G3)	D6-H3	(D7-K3)	D8-L3	(D9-N3)	D10-P3
E1-A4	E2-C3	E3-D4	E4-F3	E5-G4	E6-J3	E7-K4	E8-M3	E9-N4	E10-Q3
F1-B4	(F2-C4)	F3-E4	(F4-F4)	F5-H4	(F6-J4)	F7-L4	(F8-M4)	F9-P4	(F10-Q4)
(G1-A5)	G2-B5	(G3-D5)	G4-E5	(G5-G5)	G6-H5	(G7-K5)	G8-L5	(G9-N5)	G10-P5
H1-A6	H2-C5	H3-D6	H4-F5	H5-G6	H6-J5	H7-K6	H8-M5	H9-N6	H10-O5
J1-B6	(J2-C6)	J3-E6	(J4-F6)	J5-H6	(J6-J6)	J7-L6	(J8-M6)	J9-P6	(J10-Q6)
(K1-A7)	K2-B7	(K3-D7)	K4-E7	(K5-G7)	K6-H7	(K7-K7)	K8-L7	(K9-N7)	K10-P7
L1-A8	L2-C7	L3-D8	L4-F7	L5-G8	L6-J7	L7-K8	L8-M7	L9-N8	L10-O7
M1-B8	(M2-C8)	M3-E8	(M4-F8)	M5-H8	(M6-J8)	M7-L8	(M8-M8)	M9-P8	(M10-Q8)
(N1-A9)	N2-B9	(N3-D9)	N4-E9	(N5-G9)	N6-H9	(N7-K9)	N8-L9	(N9-N9)	N10-P9
P1-A10	P2-C9	P3-D10	P4-F9	P5-G10	P6-J9	P7-K10	P8-M9	P9-N10	P10-Q9
Q1-B10	(Q2-C10)	Q3-E10	(Q4-F10)	Q5-H10	(Q6-J10)	Q7-L10	(Q8-M10)	Q9-P10	(Q10-Q10)

NOTE: PINOUTS SHOWN IN BALLOONS ARE GROUNDS.
GROUND PATHS ARE NOT DISCRETE CIRCUITS.

SEE SHEET 1 EC NO: UCP2016-3973 DRWNG: VARVARA 2015/08/24 CHKD: TELO 2016/02/22 APPR: TELO 2016/04/20 REV:	QUALITY SYMBOLS ▽=0 ▽=0	GENERAL TOLERANCES (UNLESS SPECIFIED) mm INCH 4 PLACES ± --- ± --- 3 PLACES ± --- ± --- 2 PLACES ± 0.13 ± --- 1 PLACE ± 0.25 ± --- ANGULAR ± 1/2°	DIMENSION STYLE MM ONLY	SCALE 2:1	DESIGN UNITS METRIC	THIRD ANGLE PROJECTION	
	DRAWN BY JMENDOZA	DATE 2011/04/11	CHECKED BY JB INGHAM	DATE 2011/04/12	TITLE IMPACT ORTHOGONAL DIRECT 5 PAIR RAM ASSEMBLY UNGUIDED SALES DRAWING		
	APPROVED BY JB INGHAM	DATE 2011/04/21	MATERIAL NO. SEE CHART			MOLEX INCORPORATED	
	DRAFT WHERE APPLICABLE MUST REMAIN WITHIN DIMENSIONS	SIZE C	THIS DRAWING CONTAINS INFORMATION THAT IS PROPRIETARY TO MOLEX INCORPORATED AND SHOULD NOT BE USED WITHOUT WRITTEN PERMISSION			DOCUMENT NO. SD-76725-001	SHEET NO. 3 OF 4

ORTHO POSITION 90°

OD-RAM PIN A1 MAPS
TO RAF PIN Q10



ORTHO PIN MAPPING									
OPTION 90 (NEARSIDE - FAR SIDE)									
(A1-Q10)	A2-P10	(A3-M10)	A4-L10	(A5-J10)	A6-H10	(A7-F10)	A8-E10	(A9-C10)	A10-B10
B1-Q9	B2-N10	B3-M9	B4-K10	B5-J9	B6-G10	B7-F9	B8-D10	B9-C9	B10-A10
C1-P9	(C2-N9)	C3-L9	(C4-K9)	C5-H9	(C6-G9)	C7-E9	(C8-D9)	C9-B9	(C10-A9)
(D1-Q8)	D2-P8	(D3-M8)	D4-L8	(D5-J8)	D6-H8	(D7-F8)	D8-E8	(D9-C8)	D10-B8
E1-Q7	E2-N8	E3-M7	E4-K8	E5-J7	E6-G8	E7-F7	E8-D8	E9-C7	E10-A8
F1-P7	(F2-N7)	F3-L7	(F4-K7)	F5-H7	(F6-G7)	F7-E7	(F8-D7)	F9-B7	(F10-A7)
(G1-Q6)	G2-P6	(G3-M6)	G4-L6	(G5-J6)	G6-H6	(G7-F6)	G8-E6	(G9-C6)	G10-B6
H1-Q5	H2-N6	H3-M5	H4-K6	H5-J5	H6-G6	H7-F5	H8-D6	H9-C5	H10-A6
J1-P5	(J2-N5)	J3-L5	(J4-K5)	J5-H5	(J6-G5)	J7-E5	(J8-D5)	J9-B5	(J10-A5)
(K1-Q4)	K2-P4	(K3-M4)	K4-L4	(K5-J4)	K6-H4	(K7-F4)	K8-E4	(K9-C4)	K10-B4
L1-Q3	L2-N4	L3-M3	L4-K4	L5-J3	L6-G4	L7-F3	L8-D4	L9-C3	L10-A4
M1-P3	(M2-N3)	M3-L3	(M4-K3)	M5-H3	(M6-G3)	M7-E3	(M8-D3)	M9-B3	(M10-A3)
(N1-Q2)	N2-P2	(N3-M2)	N4-L2	(N5-J2)	N6-H2	(N7-F2)	N8-E2	(N9-C2)	N10-B2
P1-Q1	P2-N2	P3-M1	P4-K2	P5-J1	P6-G2	P7-F1	P8-D2	P9-C1	P10-A2
Q1-P1	(Q2-N1)	Q3-L1	(Q4-K1)	Q5-H1	(Q6-G1)	Q7-E1	(Q8-D1)	Q9-B1	(Q10-A1)

NOTE: PINOUTS SHOWN IN BALLOONS ARE GROUNDS.
GROUND PATHS ARE NOT DISCRETE CIRCUITS.

SEE SHEET 1 EC NO: UCP2016-3973 DRWING: VARVARA 2015/08/24 CHKD: TELO 2016/02/22 APPR: TELO 2016/04/20	QUALITY SYMBOLS ▽=0 ▽=0 ▽=0	GENERAL TOLERANCES (UNLESS SPECIFIED)		DIMENSION STYLE MM ONLY		SCALE 2:1	DESIGN UNITS METRIC	THIRD ANGLE PROJECTION		
		4 PLACES	± ---	± ---	DRAWN BY JMENDOZA	DATE 2011/04/11	TITLE IMPACT ORTHOGONAL DIRECT 5 PAIR RAM ASSEMBLY UNGUIDED SALES DRAWING			
		3 PLACES	± ---	± ---	CHECKED BY JB INGHAM	DATE 2011/04/12				
		2 PLACES	± 0.13	± ---	APPROVED BY JB INGHAM		DATE 2011/04/21	MOLEX INCORPORATED DOCUMENT NO. SD-76725-001		
1 PLACE	± 0.25	± ---	MATERIAL NO. SEE CHART		DATE 2011/04/21	SHEET NO. 4 OF 4				
A2	REV	DRAFT WHERE APPLICABLE MUST REMAIN WITHIN DIMENSIONS		SIZE C	THIS DRAWING CONTAINS INFORMATION THAT IS PROPRIETARY TO MOLEX INCORPORATED AND SHOULD NOT BE USED WITHOUT WRITTEN PERMISSION					