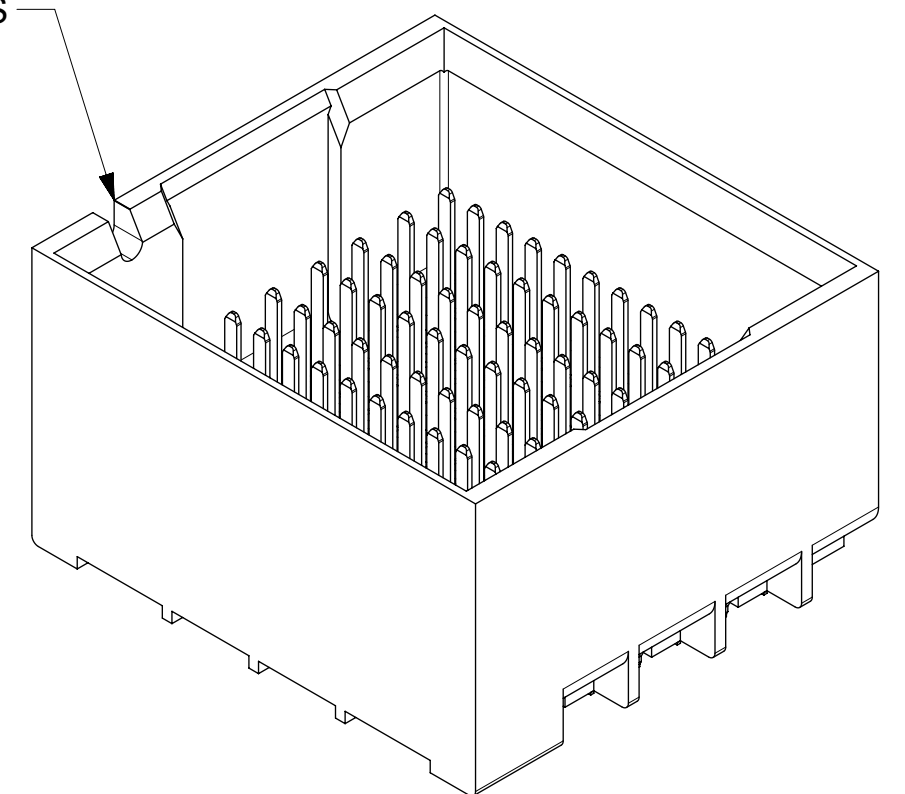


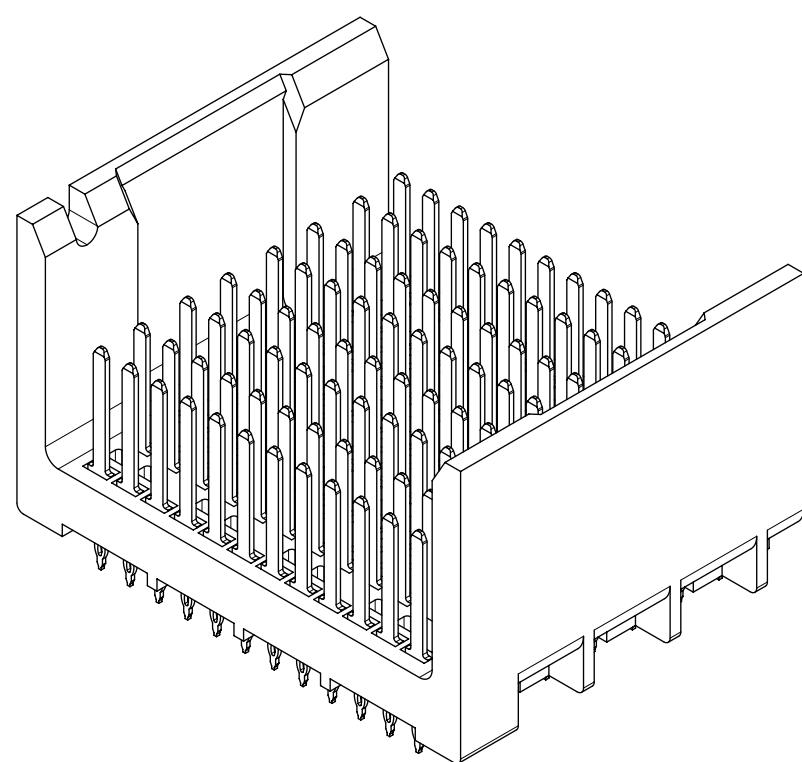
NOTCH DESIGNATES ROW A



- NOTES:
- MATERIALS: HOUSING - LIQUID CRYSTAL POLYMER (LCP) GLASS-FILLED, UL94V-0
TERMINALS - HIGH PERFORMANCE COPPER ALLOY
 - FINISH: 30μ MIN GOLD IN CONTACT AREA.
SELECTIVE TIN OR TIN-LEAD ON PCB TAILS.
NICKEL OVERALL.
 - REFER TO MOLEX PRODUCT SPECIFICATION PS-76060-999 FOR PERFORMANCE SPECIFICATIONS AND ADDITIONAL PCB INFORMATION.
 - THIS PART CONFORMS TO CLASS B REQUIREMENTS OF MOLEX COSMETIC SPEC PS-45499-002.
 - PACKAGE PER: PK-70873-7706.
 - SEE SHEETS 2 & 3 FOR PART NUMBERS AND BOARD RELATIONSHIPS.
 - MATES WITH IMPACT DC SERIES NO. 76850.
 - REFER TO MOLEX PCB ROUTING GUIDE AS-76060-990 FOR ANTIPAD AND ROUTING RECOMMENDATIONS.

QUALITY SYMBOLS	THIS DRAWING CONTAINS INFORMATION THAT IS PROPRIETARY TO MOLEX ELECTRONIC TECHNOLOGIES, LLC AND SHOULD NOT BE USED WITHOUT WRITTEN PERMISSION		DIMENSION UNITS	SCALE				
▽ = 0	EC NO: 123322 DRWN: NSRVATSAHS CHKD: PRAMASWAMY APPR: PRAMASWAMY MIGRATED TO NX 2017/10/17 2017/10/18	GENERAL TOLERANCES (UNLESS SPECIFIED)	mm	4:1				
▽ = 0		ANGULAR TOL ± 0.5 °	DRWN BY	DATE				
▽ = 0		4 PLACES ±	JMENDOZA	2010/04/01				
▽ = 0		3 PLACES ±	CHKD BY	DATE				
▽ = 0	2 PLACES ± 0.13	JBINGHAM	2010/04/01	PRODUCT CUSTOMER DRAWING				
▽ = 0	1 PLACE ± 0.25	APPR BY	DATE	SERIES	MATERIAL NUMBER	CUSTOMER		
▽ = 0	0 PLACES ±	DRAFT WHERE APPLICABLE MUST REMAIN WITHIN DIMENSIONS	DRAWING SIZE	THIRD ANGLE PROJECTION	76849	SEE CHART	GENERAL MARKET	
▽ = 0			C		DOCUMENT NUMBER	DOC TYPE	DOC PART	SHEET NUMBER
	A2				SD-76849-0001	PSD	001	1 OF 3

MATERIAL NUMBER	# OF COLUMNS	# OF DIFF PAIR	DIM "A"	DIM "B"	MODULE TYPE
76849-182*	8	32	18.9	14.05	DUAL ENDWALL
76849-180*	8	32	16.1	14.05	OPEN ENDED



OPEN END OPTION

76849-* ***

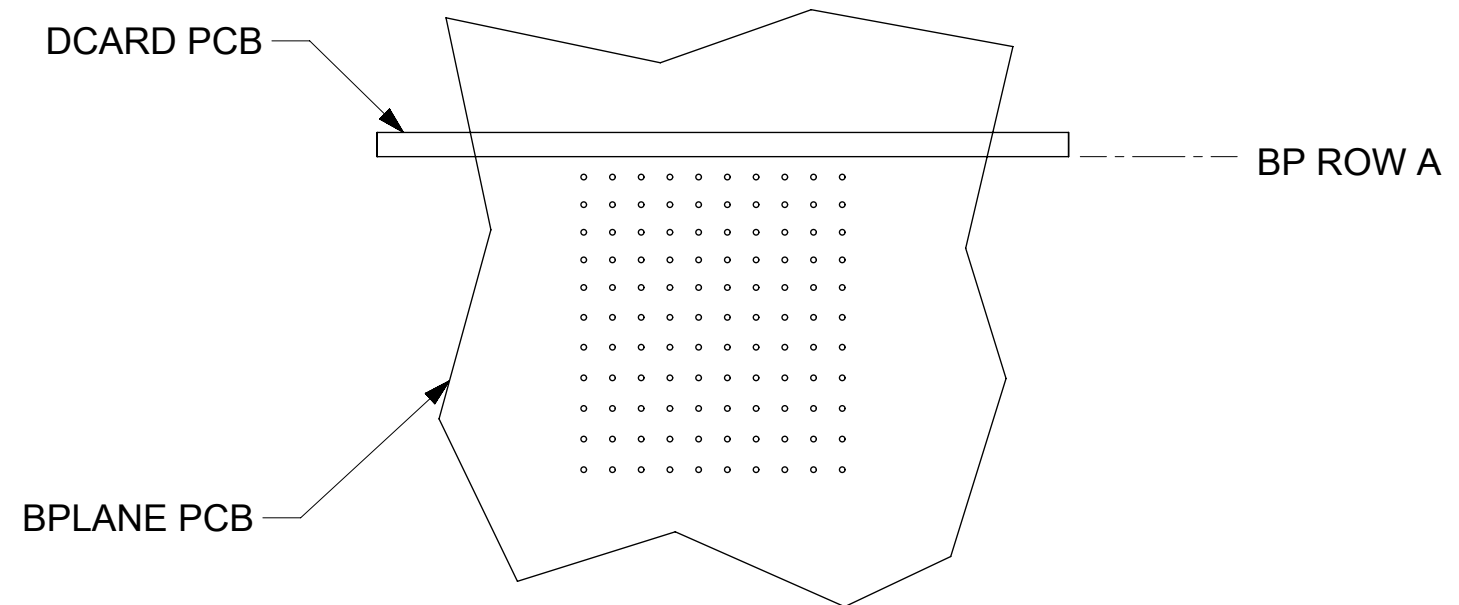
MODULE TYPE
1 = UNGUIDED, TIN

OF COLUMNS
8 = 8 COL

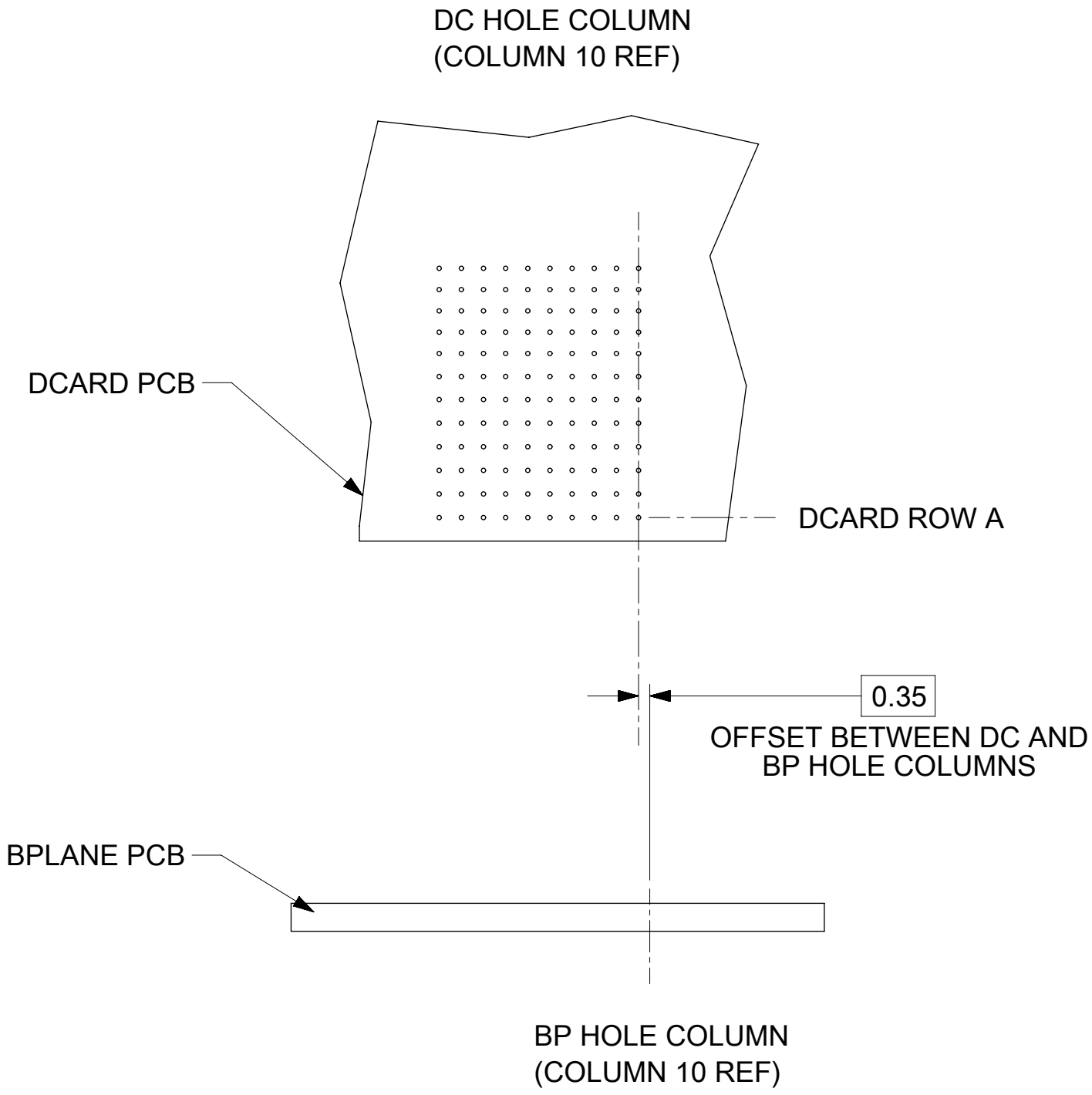
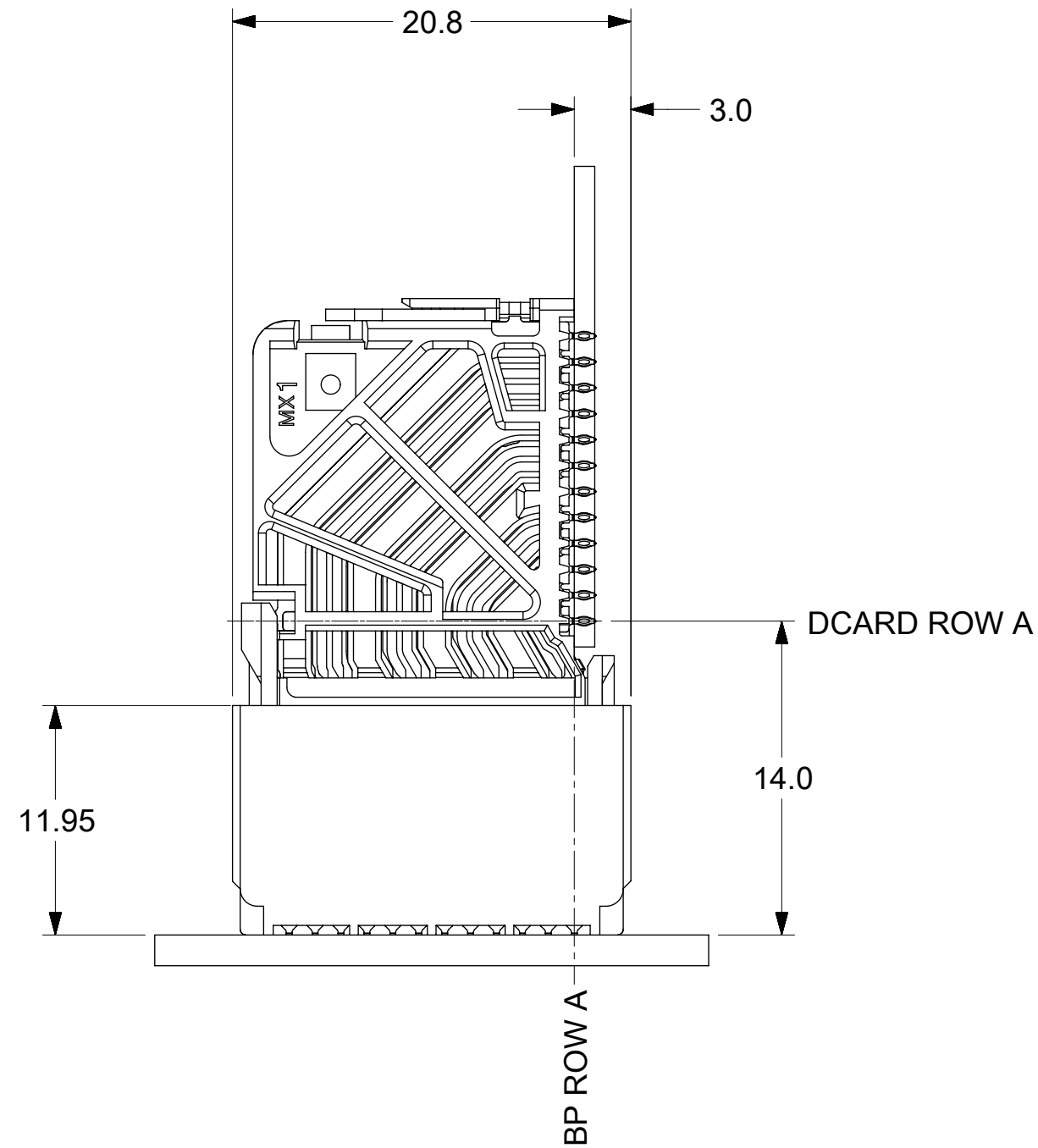
PIN LENGTH (P)
4 = 4.90, (0.46 PTH)
5 = 5.50, (0.46 PTH)
7 = 4.90, (0.39 PTH)
8 = 5.50, (0.39 PTH)

ENDWALL OPTIONS
0 = OPEN ENDS
2 = DUAL ENDWALL

QUALITY SYMBOLS ▽ = 0 ▽ = 0 ▽ = 0 ▼ = 0 ▽ = 0 ⊠ = 0 ■ = 0 ▽ = 0	THIS DRAWING CONTAINS INFORMATION THAT IS PROPRIETARY TO MOLEX ELECTRONIC TECHNOLOGIES, LLC AND SHOULD NOT BE USED WITHOUT WRITTEN PERMISSION		DIMENSION UNITS mm		SCALE 1:1							
	GENERAL TOLERANCES (UNLESS SPECIFIED) ANGULAR TOL ± 0.5 °		DRWN BY JMENDOZA		DATE 2010/04/01					IMPACT ORTHO ROUTABLE 4 PAIR HEADER ASSEMBLY UNGUIDED SALES DRAWING		
MIGRATED TO NX EC NO: 123322 DRWN: NSRVATSAHS CHKD: PRAMASWAMY		2017/10/17 2017/10/18		4 PLACES ± 3 PLACES ± 2 PLACES ± 0.13 1 PLACE ± 0.25 0 PLACES ±		CHK'D BY JBINGHAM		DATE 2010/04/01				
A2		DRAFT WHERE APPLICABLE MUST REMAIN WITHIN DIMENSIONS		DRAWING SIZE C		THIRD ANGLE PROJECTION 		SERIES 76849	MATERIAL NUMBER SEE CHART		CUSTOMER GENERAL MARKET	
RELEASE STATUS P1		RELEASE DATE 18.10.2017 06:14:42		DOCUMENT NUMBER SD-76849-0001		DOC TYPE PSD	DOC PART 001	SHEET NUMBER 2 OF 3				



IMPACT ORTHO 4 PAIR BOARD RELATIONSHIPS



QUALITY SYMBOLS		THIS DRAWING CONTAINS INFORMATION THAT IS PROPRIETARY TO MOLEX ELECTRONIC TECHNOLOGIES, LLC AND SHOULD NOT BE USED WITHOUT WRITTEN PERMISSION									
▽ = 0	▽ = 0	MIGRATED TO NX EC NO: 123322 DRWN: NSRVATSAHS CHKD: PRAMASWAMY REV / APPR:	2017/10/17	2017/10/18	GENERAL TOLERANCES (UNLESS SPECIFIED)		DIMENSION UNITS	SCALE	molex		
▽ = 0	▽ = 0				mm	4:1	IMPACT ORTHO ROUTABLE 4 PAIR HEADER ASSEMBLY UNGUIDED SALES DRAWING				
▽ = 0	▽ = 0				ANGULAR TOL ± 0.5 °	DRWN BY	DATE	PRODUCT CUSTOMER DRAWING			
▽ = 0	▽ = 0				4 PLACES ±	JMENDOZA	2010/04/01	SERIES	MATERIAL NUMBER	CUSTOMER	
▽ = 0	▽ = 0				3 PLACES ±	CHK'D BY	DATE	76849	SEE CHART	GENERAL MARKET	
▽ = 0	▽ = 0	2 PLACES ± 0.13	JBINGHAM	2010/04/01	DOCUMENT NUMBER						
▽ = 0	▽ = 0	1 PLACE ± 0.25	APPR BY	DATE	SD-76849-0001	DOC TYPE	DOC PART	SHEET NUMBER			
▽ = 0	▽ = 0	0 PLACES ±	DRAWING SIZE		THIRD ANGLE PROJECTION	PSD	001	3 OF 3			
▽ = 0	▽ = 0	DRAFT WHERE APPLICABLE MUST REMAIN WITHIN DIMENSIONS	C	C							