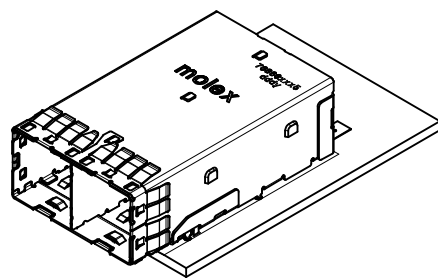


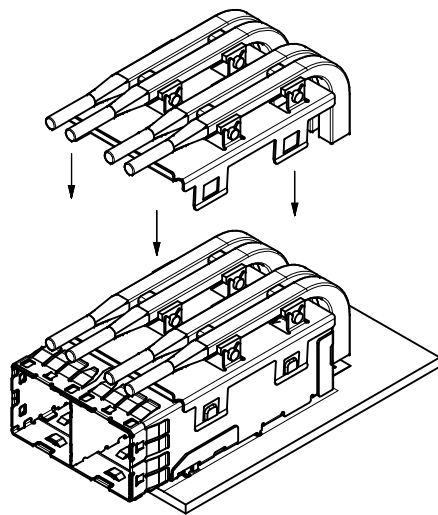
NOTES:

- MATERIALS:
 LIGHT PIPE: HALOGEN FREE, CLEAR POLYCARBONATE
 COVER: STAINLESS STEEL ALLOY
- PACKAGING SPECIFICATION: PK-76994-001
- MATES WITH: 76866-00*5

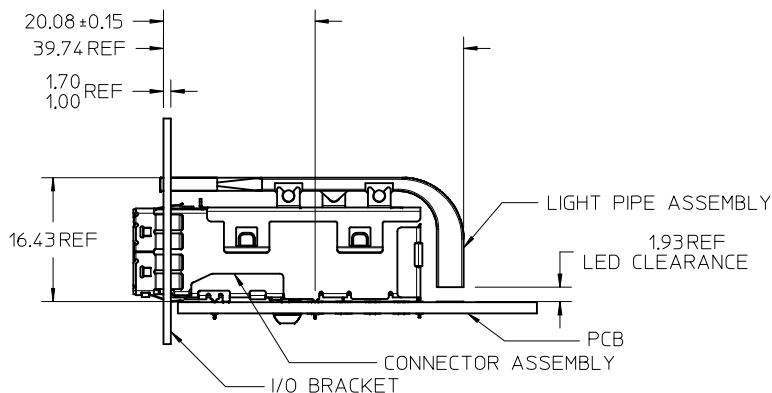
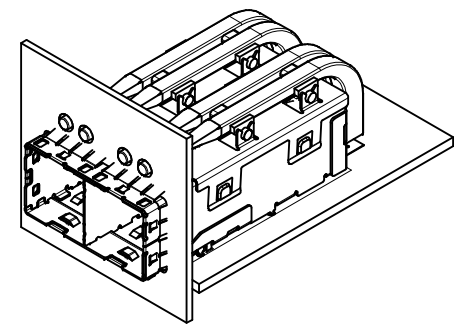
UPDATED MATL SPEC EC NO: UCP2014-1665 DRWN:TMCCLELL 2013/10/15 CHKD:TMCCLELLAND 2013/10/16 APPR:MBANAKIS 2013/10/17	QUALITY SYMBOLS ∇=0 ∇=0 ∇=0	GENERAL TOLERANCES (UNLESS SPECIFIED)		DIMENSION STYLE	SCALE	DESIGN UNITS	THIRD ANGLE PROJECTION	
				MM ONLY	4:1	METRIC		
				DRAWN BY	DATE	TITLE		
				KLANG	2009/06/03	IPASS PLUS HD 1X2 LIGHT PIPE & CLIP ASSEMBLY		
REV B3	DESCRIPTION	4 PLACES	± 0.13	± 0.005	CHECKED BY	DATE	DOCUMENT NO. SD-76994-003 SHEET NO. 1 OF 2	
		3 PLACES	± 0.25	± 0.005	DATE			
		2 PLACES	± 0.25	± 0.005	DATE			
		1 PLACE	± 0.25	± 0.005	DATE			
		0 PLACE	± 0.25	± 0.005	DATE			
		ANGULAR ±1/2°		MATERIAL NO.				
		DRAFT WHERE APPLICABLE MUST REMAIN WITHIN DIMENSIONS		76994-0003				
				SIZE	THIS DRAWING CONTAINS INFORMATION THAT IS PROPRIETARY TO MOLEX INCORPORATED AND SHOULD NOT BE USED WITHOUT WRITTEN PERMISSION			
				C				



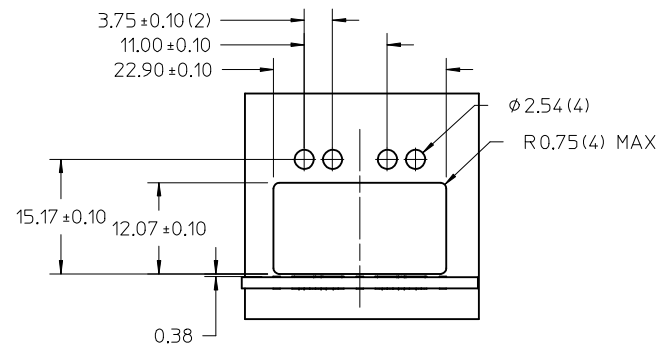
CONNECTOR AS APPLIED TO PCB



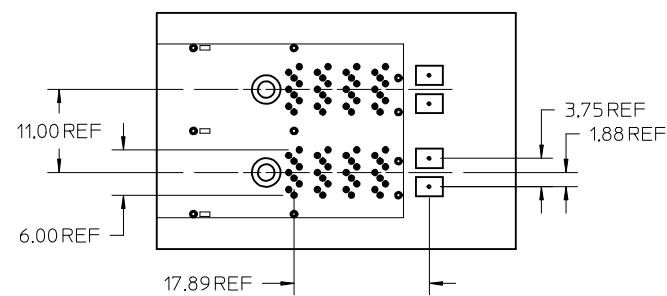
LIGHT PIPES AS APPLIED TO CONNECTOR



ASSEMBLED VIEW



I/O BRACKET CUT OUT (BRACKET NOT SUPPLIED)



SEE SHEET 1 EC NO: UCP2014-1665 DRWN:TMCCLELL 2013/10/15 CHKD:TMCCLELLAND 2013/10/16 APPR:MBANAKIS 2013/10/17	QUALITY SYMBOLS ▽=0 ▽=0 ▽=0	GENERAL TOLERANCES (UNLESS SPECIFIED)		DIMENSION STYLE MM ONLY	SCALE 2:1	DESIGN UNITS METRIC	THIRD ANGLE PROJECTION		
		4 PLACES ± --- ± --- 3 PLACES ± --- ± --- 2 PLACES ± 0.13 ± --- 1 PLACE ± 0.25 ± ---	mm INCH	DRAWN BY DATE KLANG 2009/06/03	CHECKED BY DATE TMCCLELLAND 2013/10/16	IPASS PLUS HD 1X2 LIGHT PIPE & CLIP ASSEMBLY			
		ANGULAR ± 1/2°		APPROVED BY DATE MBANAKIS 2010/01/14	MOLEX INCORPORATED				
		DRAFT WHERE APPLICABLE MUST REMAIN WITHIN DIMENSIONS	SEE SHEET 1	MATERIAL NO.	DOCUMENT NO. SD-76994-003	SHEET NO. 2 OF 2			