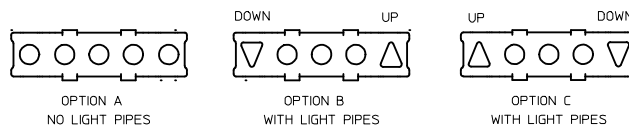


| PART NUMBER | DESCRIPTION      | LIGHT PIPE OPTIONS | GASKET   |
|-------------|------------------|--------------------|----------|
| 76870-0003  | NO LIGHT PIPES   | A = NONE           | STANDARD |
| 76870-0004  | WITH LIGHT PIPES | B = DOWN / UP      | STANDARD |
| 76870-0005  | WITH LIGHT PIPES | C = UP / DOWN      | STANDARD |
| 76870-0013  | NO LIGHT PIPES   | A = NONE           | 94V-0    |
| 76870-0014  | WITH LIGHT PIPES | B = DOWN / UP      | 94V-0    |
| 76870-0015  | WITH LIGHT PIPES | C = UP / DOWN      | 94V-0    |



NOTES:

1. MATERIAL:

CAGE: NICKEL SILVER, 0.25mm THICK  
 EMI STRAPS: PHOS-BRONZE  
 AIR-VENT/LIGHT PIPE HOUSINGS: DIECAST ALLOY  
 LIGHT PIPES: POLYCARBONATE (OPTIONAL)  
 CONNECTOR HOUSING: HIGH TEMPERATURE THERMOPLASTIC  
 TERMINALS: COPPER ALLOY  
 EMI GASKETS -CONDUCTIVE POLYMER HB/94V-0 SEE OPTIONS

2. FINISH:

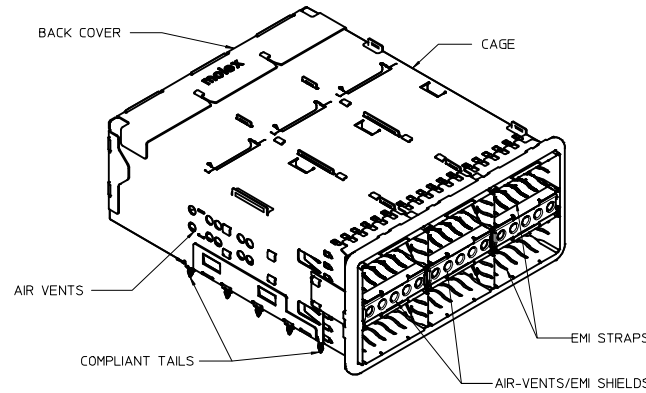
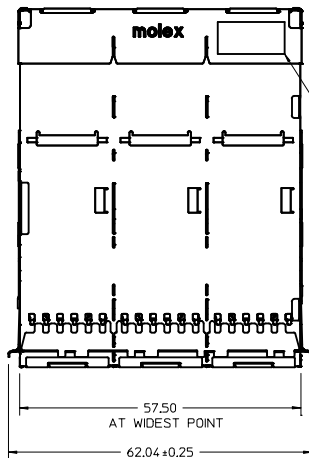
CAGE: UNPLATED  
 EMI STRAPS: 2.5µm NICKEL OVERALL  
 AIR-VENT/LIGHT PIPE HOUSINGS: NICKEL OVER COPPER  
 TERMINALS: CONTACT AREA:  
 0.76-1.52 µm MIN. GOLD OVER 2.5 µm MIN. NICKEL.  
 COMPLIANT TAIL:  
 0.7-1.5µm MIN. MATTE TIN OVER 1.3µm NICKEL.

3. PACKAGING: PRODUCT PACKAGED IN TRAYS AND CARTONS

4. ALL VISIBLE EXTERIOR SURFACES TO BE CLASS 'B' OR BETTER, EXCEPT FOR THE UNDERSIDE OF THE CAGE AND SHOULD CONFORM TO THE MOLEX COSMETIC STANDARD ES-171233-0001.

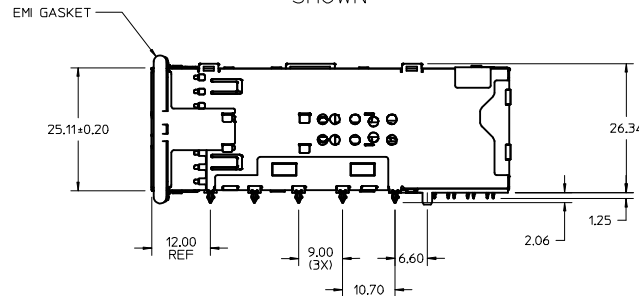
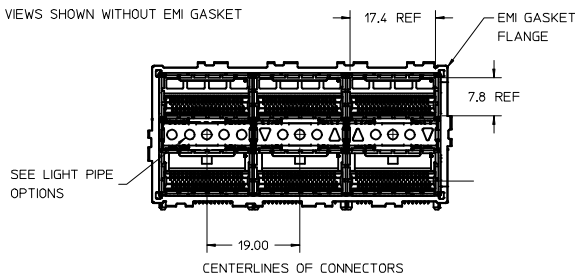
5. CONNECTOR MATES WITH PLUG CABLE SERIES 74757 AND 74758

6. DATE CODE LOCATION IS SHOWN.  
 DATE CODE FORMAT: DDDY  
 DDD= DAY OF THE YEAR  
 Y= YEAR

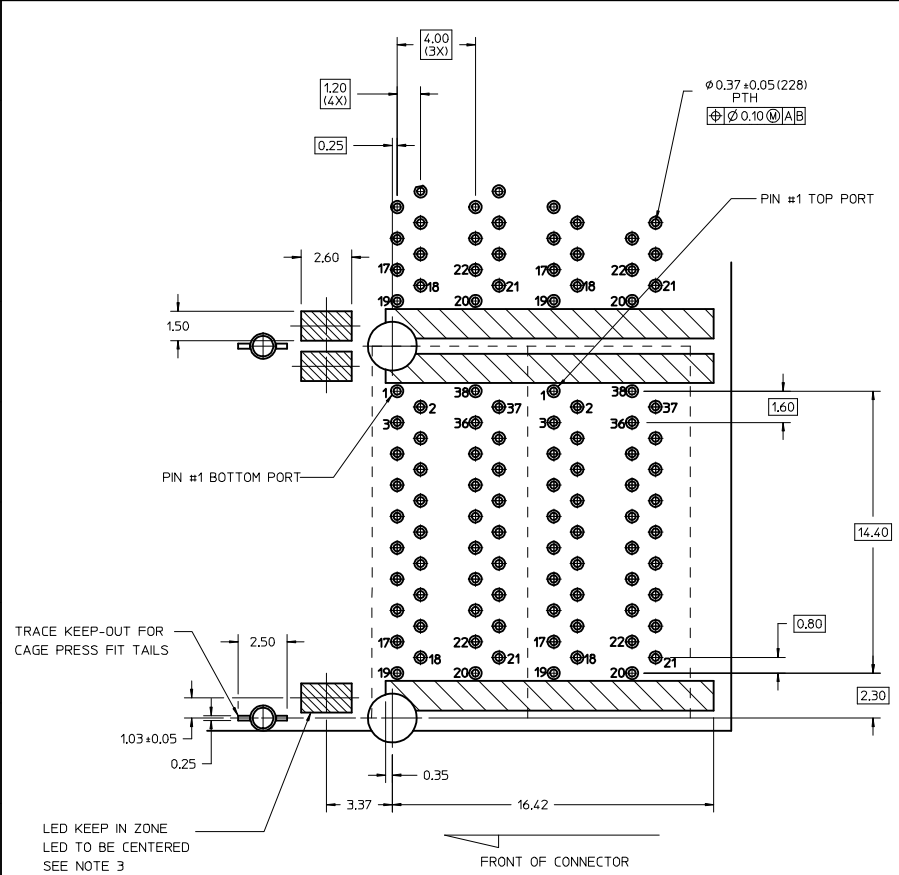


PART NUMBER  
76870-0001-0003  
SHOWN

VIEWS SHOWN WITHOUT EMI GASKET



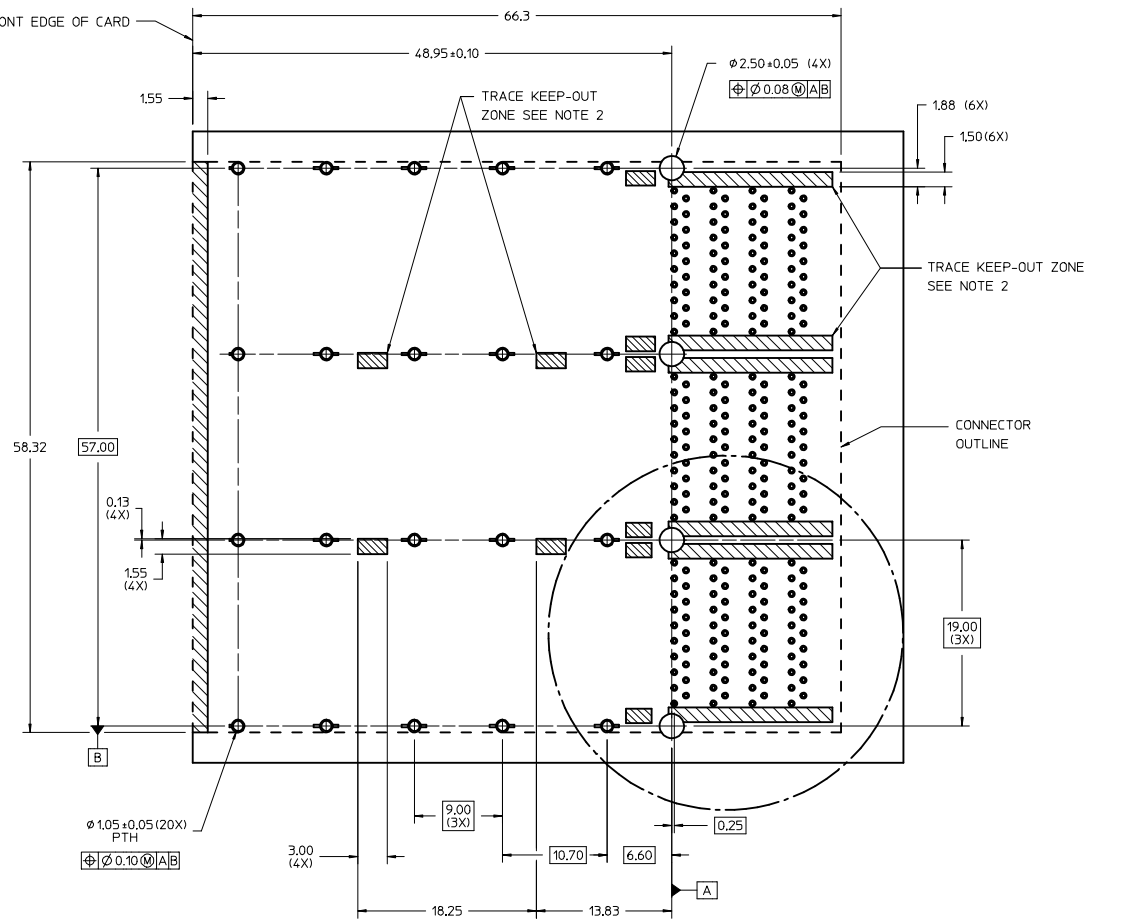
|   |   |  |                                   |                    |   |                               |  |  |
|---|---|--|-----------------------------------|--------------------|---|-------------------------------|--|--|
| ADDED 94V-0 GASKET PMS<br>IEC NO. UCF2014-5082<br>DRAWN BY<br>CHYD<br>APPR: MBANKIS 2014/06/05<br>REV DESCRIPTION | GENERAL TOLERANCES (UNLESS SPECIFIED)                               |  | DIMENSION STYLE<br><b>MM ONLY</b> |                    | SCALE<br><b>2:1</b>   | DESIGN UNITS<br><b>METRIC</b> | THIRD ANGLE PROJECTION   |  |
|   | 4 PLACES ±0.15<br>3 PLACES ±0.13<br>2 PLACES ±0.25<br>1 PLACE ±0.25 | mm<br>INCH   | DRAWN BY<br>SBGIEL                | DATE<br>01/22/2009 | TITLE<br><b>ASSEMBLY, QSFP PLUS<br/>         STACKED 2 X 3<br/>         WITH ELASTOMER GASKET</b> |                               |  |  |
|   | ANGULAR ±1/2°   | DRAFT WHERE APPLICABLE<br>MUST REMAIN<br>WITHIN DIMENSIONS | CHECKED BY<br>KREGNIER            | DATE<br>01/23/2009 | MOLEX INCORPORATED  |                               |  |  |
|   | SEE CHART   | MATERIAL NO.<br>SD-76870-001                               | APPROVED BY<br>MBANKIS            | DATE<br>01/26/2009 | DOCUMENT NO.<br>SD-76870-001  | SHEET NO.<br>1 OF 3           | THIS DRAWING CONTAINS INFORMATION THAT IS PROPRIETARY TO MOLEX<br>INCORPORATED AND SHOULD NOT BE USED WITHOUT WRITTEN PERMISSION |  |



DETAIL 1  
PCB PORT LAYOUT  
(COMPONENT SIDE)

NOTES:

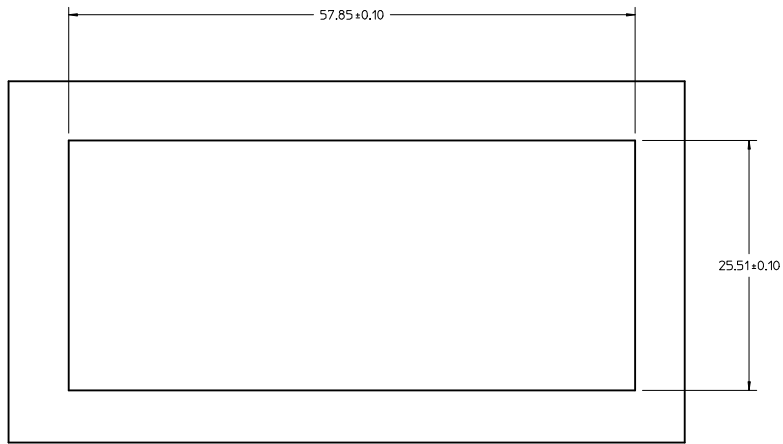
1. DASHED LINES INDICATE THE CONNECTOR OUTLINE, THIS AREA IS A COMPONENT KEEP-OUT ZONE.
2. CROSS HATCHED AREAS DENOTE CRITICAL POINTS WHERE CAGE OR CONNECTOR HOUSINGS CAN CONTACT THE BOARD, THESE AREAS ARE TRACE KEEP-OUT ZONES.
3. LED KEEP-IN ZONE DEFINES THE PHYSICAL SPACE ALLOWED FOR PLACEMENT OF SMD CHIP STYLE LED PACKAGES, KEEP-IN ZONE EXTENDS VERTICALLY TO 0,8mm ABOVE THE TOP SIDE OF BOARD.



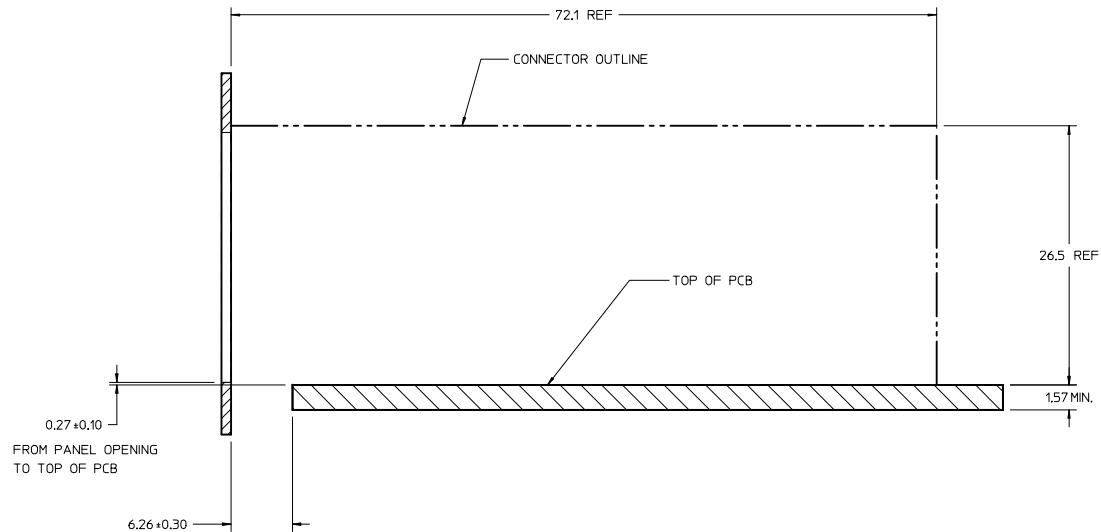
RECOMMENDED PCB LAYOUT  
COMPONENT SIDE

|  |                 |   |                      |                           |  |                        |
|--|-----------------|---|----------------------|---------------------------|--|------------------------|
| <p>SEE SHEET 1<br/>EC NO: UCP2014-5082<br/>DRAWN BY: CHYD<br/>CHKD: APPR: MBANKIS<br/>DATE: 2014/06/05</p> | QUALITY SYMBOLS | GENERAL TOLERANCES (UNLESS SPECIFIED)   | DIMENSION STYLE      | SCALE                     | DESIGN UNITS   | THIRD ANGLE PROJECTION |
|  | ▽=0             | mm INCH   | MM ONLY              | 2:1                       | METRIC   | ☉                      |
|  | ▽=0             | 4 PLACES ± ---  | DRAWN BY: SBOG IEL   | DATE: 01/22/2009          | TITLE: ASSEMBLY, QSFP PLUS<br>STACKED 2 X 3<br>WITH ELASTOMER GASKET |                        |
|  | ▽=0             | 3 PLACES ± ---  | CHECKED BY: KREGNIER | DATE: 01/23/2009          | MOLEX INCORPORATED   |                        |
|  | 2 PLACES ± 0.13 | APPROVED BY: MBANKIS  | DATE: 01/26/2009     | DOCUMENT NO. SD-76870-001 |  |                        |
|  | 1 PLACE ± 0.25  |   |                      | SHEET NO. 2 OF 3          |  |                        |
|  | ANGULAR ± 1/2°  | DRAFT WHERE APPLICABLE MUST REMAIN WITHIN DIMENSIONS  |                      |                           |  |                        |
|  |                 | SEE SHEET 1   |                      |                           |  |                        |
|  |                 | THIS DRAWING CONTAINS INFORMATION THAT IS PROPRIETARY TO MOLEX INCORPORATED AND SHOULD NOT BE USED WITHOUT WRITTEN PERMISSION |                      |                           |  |                        |

20 19 18 17 16 15 14 13 12 11 10 9 8 7 6 5 4 3 2 1



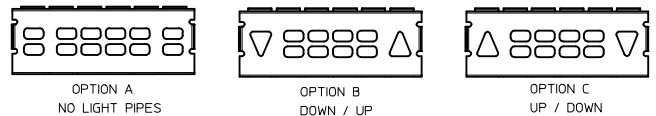
RECOMMENDED PANEL CUT-OUT



|   |  |  |  |               |  |                        |
|---|--|--|--|---------------|--|------------------------|
| <b>SEE SHEET 1</b><br>IEC NO: UCP2014-5082<br>DRAWN BY: CHYKD<br>APPR: MBANKIS 2014/06/05 | QUALITY SYMBOLS  | GENERAL TOLERANCES (UNLESS SPECIFIED)                                    | DIMENSION STYLE  | SCALE         | DESIGN UNITS   | THIRD ANGLE PROJECTION |
|   | 4 PLACES $\pm 0$<br>3 PLACES $\pm 0$<br>2 PLACES $\pm 0.13$<br>1 PLACE $\pm 0.25$<br>ANGULAR $\pm 1/2^\circ$ | mm INCH<br>+--- +---<br>+--- +---<br>+--- +---<br>+--- +---<br>+--- +--- | MM ONLY<br>DRAWN BY: SBOGIEL<br>DATE: 01/22/2009<br>CHECKED BY: KREGNIER<br>DATE: 01/23/2009<br>APPROVED BY: MBANKIS<br>DATE: 01/26/2009 | 4:1<br>METRIC | TITLE: ASSEMBLY, QSFP PLUS STACKED 2 X 3 WITH ELASTOMER GASKET<br>MOLEX INCORPORATED | SHEET NO. 3 OF 3       |

19 18 17 16 15 14 13 12 11 10 9 8 7 6 5 4 3 2 1

| PART NUMBER | DESCRIPTION      | LIGHT PIPE OPTIONS | PLATING |
|-------------|------------------|--------------------|---------|
| 76870-2003  | NO LIGHT PIPES   | A = NONE           | TIN     |
| 76870-2004  | WITH LIGHT PIPES | B = DOWN / UP      | TIN     |
| 76870-2005  | WITH LIGHT PIPES | C = UP / DOWN      | TIN     |
|             |                  |                    |         |
|             |                  |                    |         |



NOTES:

1. MATERIAL:

CAGE: NICKEL SILVER, 0.25mm THICK  
 EMI STRAPS: PHOS-BRONZE  
 AIR-VENT/LIGHT PIPE HOUSINGS: DIECAST ALLOY  
 LIGHT PIPES: POLYCARBONATE (OPTIONAL)  
 CONNECTOR HOUSING: HIGH TEMPERATURE THERMOPLASTIC  
 TERMINALS: COPPER ALLOY

2. FINISH:

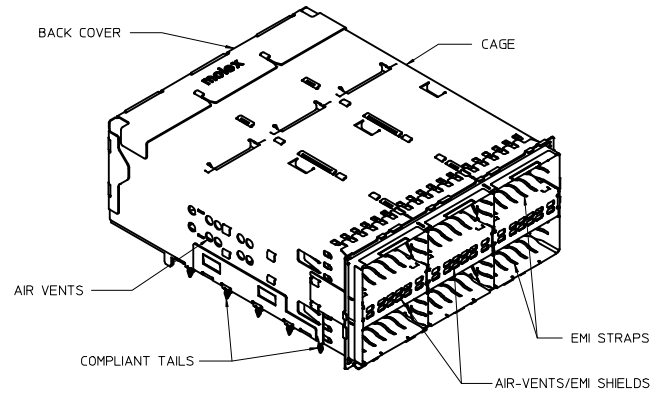
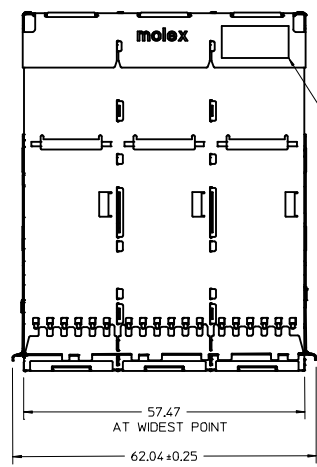
CAGE: UNPLATED  
 EMI STRAPS: 2.5µm NICKEL OVERALL  
 AIR-VENT/LIGHT PIPE HOUSINGS: NICKEL OVER COPPER  
 TERMINALS: CONTACT AREA:  
 0.76-1.52 µm MIN. GOLD OVER 2.5 µm MIN. NICKEL.  
 COMPLIANT TAIL:  
 TIN/LEAD: 0.7-1.5 µm TIN/LEAD (90/10) OVER 1.3 µm NICKEL.  
 TIN: 0.7-1.5µm MIN. MATTE TIN OVER 1.3µm NICKEL.

3. PACKAGING: PRODUCT PACKAGED IN TRAYS AND CARTONS

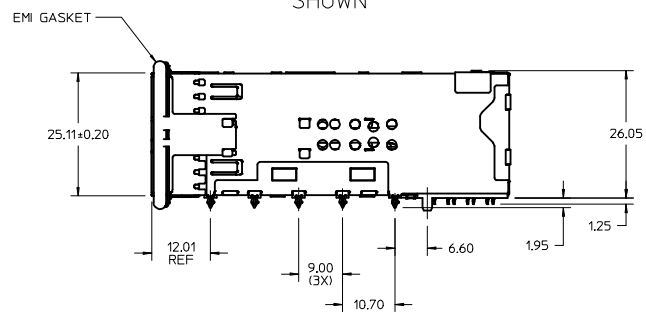
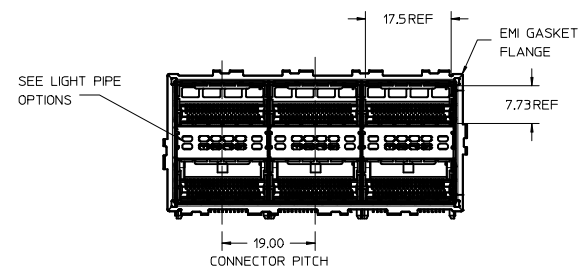
4. ALL VISIBLE EXTERIOR SURFACES TO BE CLASS 'B' OR BETTER, EXCEPT FOR THE UNDERSIDE OF THE CAGE AND SHOULD CONFORM TO THE MOLEX COSMETIC STANDARD PS-45499-002

5. CONNECTOR MATES WITH PLUG CABLE SERIES 74757 AND 74758

6. DATE CODE LOCATION IS SHOWN.  
 DATE CODE FORMAT: DDDY  
 DDD= DAY OF THE YEAR  
 Y= YEAR



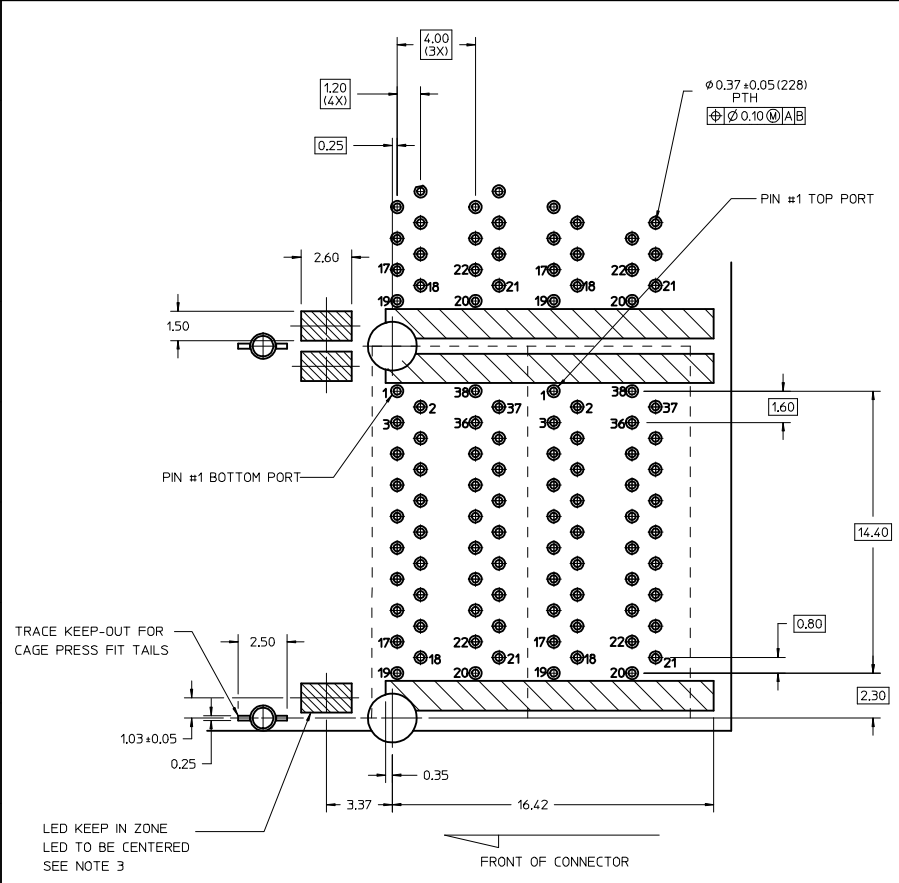
PART NUMBER  
 76870-0001/-0003  
 SHOWN



| DEFINE LED KEEP-IN<br>IEC NO. UCP2013-0233<br>DRAWN BY<br>CHYD<br>APPR: MBANKIS<br>2012/07/31 | QUALITY SYMBOLS                              | GENERAL TOLERANCES (UNLESS SPECIFIED)   | DIMENSION STYLE | SCALE               | DESIGN UNITS | THIRD ANGLE PROJECTION |      |      |          |      |      |          |       |      |         |       |      |               |  |  |         |     |        |  |
|---|--|---|-----------------|---------------------|--------------|------------------------|------|------|----------|------|------|----------|-------|------|---------|-------|------|---------------|--|--|---------|-----|--------|--|
|   | $\nabla=0$<br>$\nabla=0$                     | <table border="1"> <thead> <tr> <th></th> <th>mm</th> <th>INCH</th> </tr> </thead> <tbody> <tr> <td>4 PLACES</td> <td>±---</td> <td>±---</td> </tr> <tr> <td>3 PLACES</td> <td>±---</td> <td>±---</td> </tr> <tr> <td>2 PLACES</td> <td>±0.13</td> <td>±---</td> </tr> <tr> <td>1 PLACE</td> <td>±0.25</td> <td>±---</td> </tr> <tr> <td colspan="3">ANGULAR ±1/2°</td> </tr> </tbody> </table> |                 | mm                  | INCH         | 4 PLACES               | ±--- | ±--- | 3 PLACES | ±--- | ±--- | 2 PLACES | ±0.13 | ±--- | 1 PLACE | ±0.25 | ±--- | ANGULAR ±1/2° |  |  | MM ONLY | 2:1 | METRIC |  |
|   |  | mm  | INCH            |                     |              |                        |      |      |          |      |      |          |       |      |         |       |      |               |  |  |         |     |        |  |
|   | 4 PLACES                                     | ±---  | ±---            |                     |              |                        |      |      |          |      |      |          |       |      |         |       |      |               |  |  |         |     |        |  |
| 3 PLACES  | ±---   | ±---  |                 |                     |              |                        |      |      |          |      |      |          |       |      |         |       |      |               |  |  |         |     |        |  |
| 2 PLACES  | ±0.13  | ±---  |                 |                     |              |                        |      |      |          |      |      |          |       |      |         |       |      |               |  |  |         |     |        |  |
| 1 PLACE   | ±0.25  | ±---  |                 |                     |              |                        |      |      |          |      |      |          |       |      |         |       |      |               |  |  |         |     |        |  |
| ANGULAR ±1/2°   |  |   |                 |                     |              |                        |      |      |          |      |      |          |       |      |         |       |      |               |  |  |         |     |        |  |
| DRAWN BY<br>HAVERY<br>2012/06/08<br>CHECKED BY<br>DATE  | APPROVED BY<br>MBANKIS<br>2012/07/31<br>DATE | TITLE<br><b>ASSEMBLY, QSFP PLUS<br/>         STACKED 2 X 3<br/>         ENHANCED EMI PERFORMANCE</b>  |                 |                     |              |                        |      |      |          |      |      |          |       |      |         |       |      |               |  |  |         |     |        |  |
| MATERIAL NO.<br><b>SEE CHART</b>  | DOCUMENT NO.<br><b>SD-76870-2000</b>         | MOLEX INCORPORATED  |                 | SHEET NO.<br>1 OF 3 |              |                        |      |      |          |      |      |          |       |      |         |       |      |               |  |  |         |     |        |  |

DRAFT WHERE APPLICABLE MUST REMAIN WITHIN DIMENSIONS

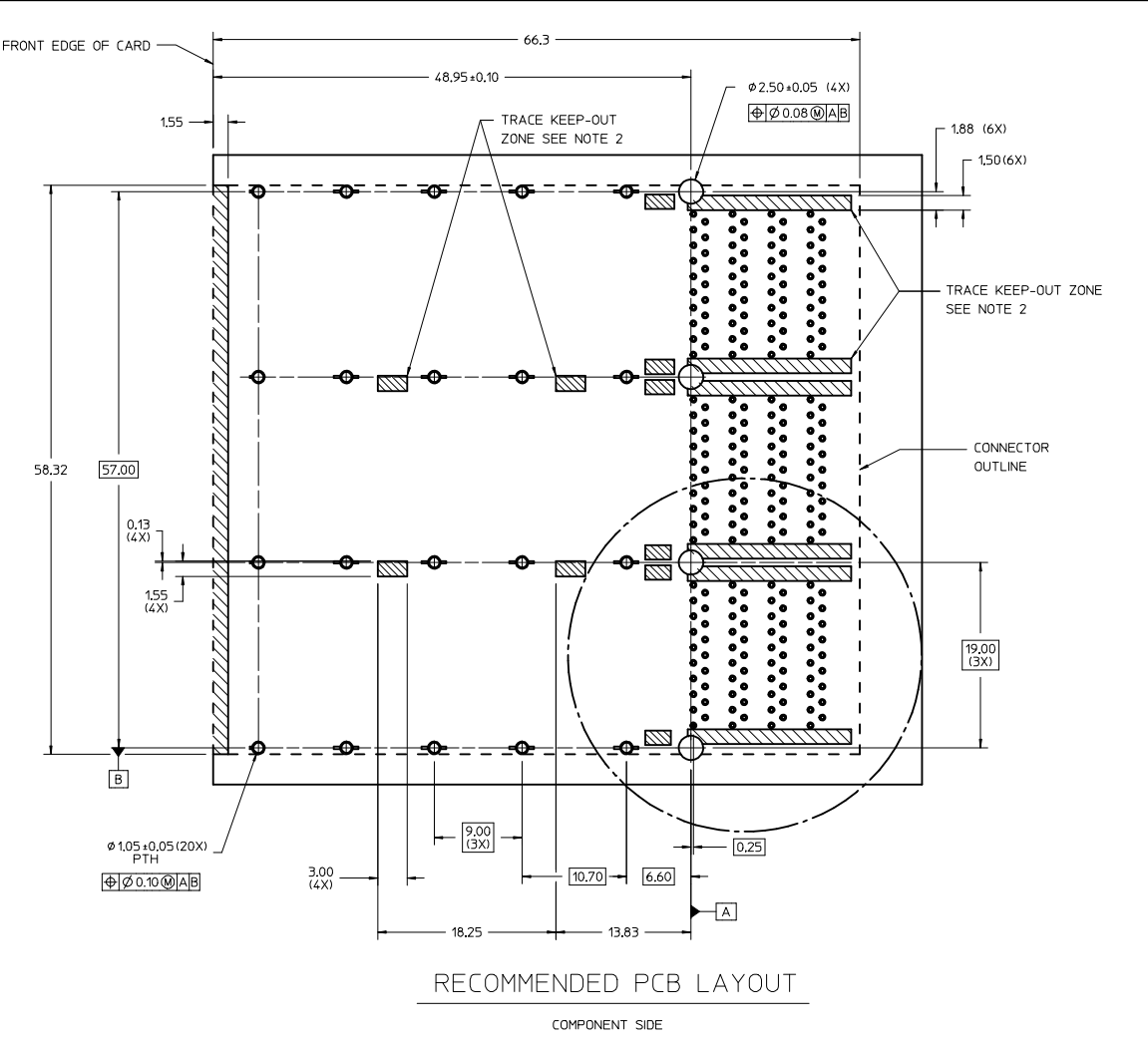
THIS DRAWING CONTAINS INFORMATION THAT IS PROPRIETARY TO MOLEX INCORPORATED AND SHOULD NOT BE USED WITHOUT WRITTEN PERMISSION



DETAIL 1  
PCB PORT LAYOUT  
(COMPONENT SIDE)

NOTES:

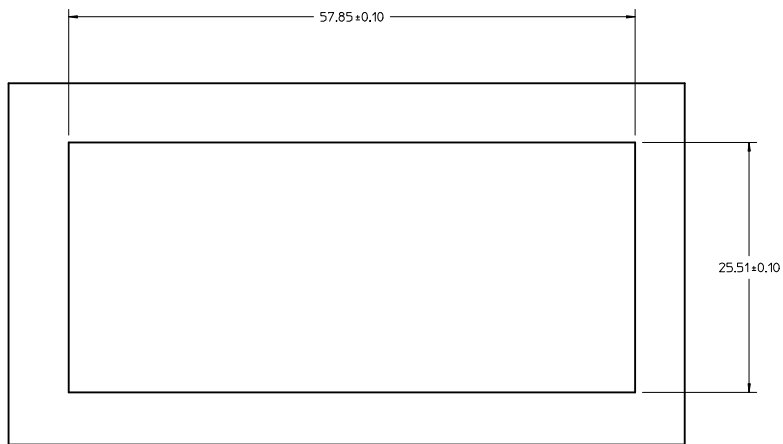
1. DASHED LINES INDICATE THE CONNECTOR OUTLINE, THIS AREA IS A COMPONENT KEEP-OUT ZONE.
2. CROSS HATCHED AREAS DENOTE CRITICAL POINTS WHERE CAGE OR CONNECTOR HOUSINGS CAN CONTACT THE BOARD, THESE AREAS ARE TRACE KEEP-OUT ZONES.
3. LED KEEP-IN ZONE DEFINES THE PHYSICAL SPACE ALLOWED FOR PLACEMENT OF SMD CHIP STYLE LED PACKAGES, KEEP-IN ZONE EXTENDS VERTICALLY TO 0,8mm ABOVE THE TOP SIDE OF BOARD.



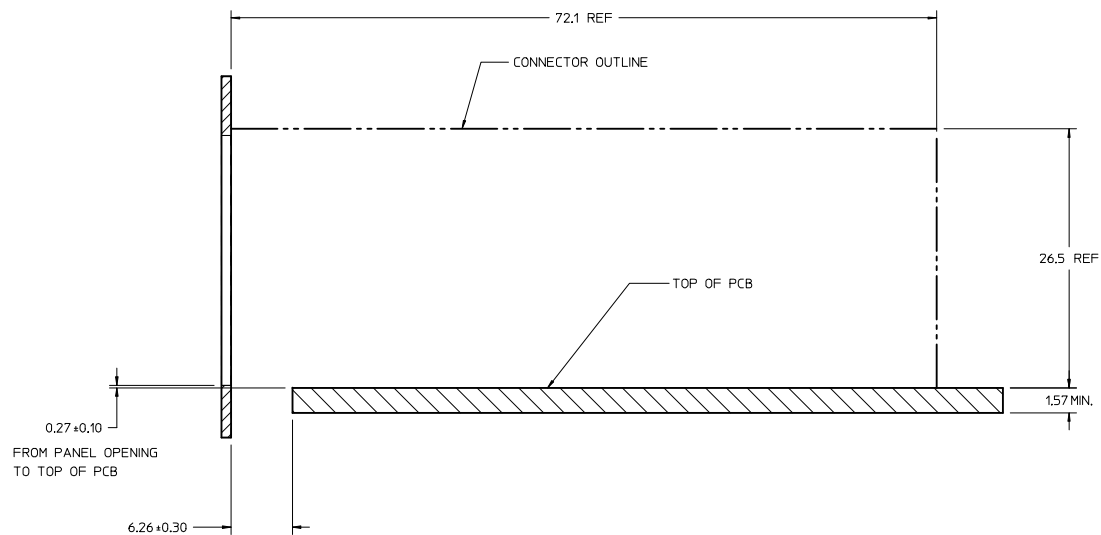
RECOMMENDED PCB LAYOUT  
COMPONENT SIDE

|   |  |   |  |   |   |   |
|---|--|---|--|---|---|---|
| <b>SEE SHEET 1</b><br>IEC NO: UCP2013-0233<br>DRAWN BY: HAVERY<br>CHYD: 2012/06/08<br>APPROVED BY: MBANAKIS<br>APPR: MBANAKIS<br>DATE: 2012/07/31 | QUALITY SYMBOLS<br>∇=0<br>∇=0<br>∇=0                 | GENERAL TOLERANCES (UNLESS SPECIFIED)<br>mm INCH<br>4 PLACES ± --- ± ---<br>3 PLACES ± --- ± ---<br>2 PLACES ± 0.13 ± ---<br>1 PLACE ± 0.25 ± ---<br>ANGULAR ± 1/2° | DIMENSION STYLE<br>MM ONLY<br>SCALE 2:1<br>DESIGN UNITS METRIC<br>THIRD ANGLE PROJECTION | DRAWN BY: HAVERY<br>DATE: 2012/06/08<br>CHECKED BY: DATE: | TITLE: ASSEMBLY, QSFP PLUS STACKED 2 X 3 ENHANCED EMI PERFORMANCE<br>MOLEX INCORPORATED |   |
|   | DRAFT WHERE APPLICABLE MUST REMAIN WITHIN DIMENSIONS | APPROVED BY: MBANAKIS<br>DATE: 2012/07/31   | MATERIAL NO:<br><b>SEE SHEET 1</b>   | DOCUMENT NO:<br>SD-76870-2000                             | SHEET NO:<br>2 OF 3   | THIS DRAWING CONTAINS INFORMATION THAT IS PROPRIETARY TO MOLEX INCORPORATED AND SHOULD NOT BE USED WITHOUT WRITTEN PERMISSION |

20 19 18 17 16 15 14 13 12 11 10 9 8 7 6 5 4 3 2 1



RECOMMENDED PANEL CUT-OUT



| <b>SEE SHEET 1</b><br>IEC NO: UCP2013-0233<br>DRAWN BY: HAVERY 2012/06/08<br>CHKD: MBANKI S<br>APPR: MBANKI S 2012/07/31 | QUALITY SYMBOLS   | GENERAL TOLERANCES (UNLESS SPECIFIED)   | DIMENSION STYLE | SCALE | DESIGN UNITS     | THIRD ANGLE PROJECTION  |       |       |          |       |       |          |        |       |         |        |       |  |     |        |  |
|--|---|---|-----------------|-------|------------------|---|-------|-------|----------|-------|-------|----------|--------|-------|---------|--------|-------|--|-----|--------|--|
|  | $\nabla=0$<br>$\nabla=0$  | <table border="1"> <thead> <tr> <th></th> <th>mm</th> <th>INCH</th> </tr> </thead> <tbody> <tr> <td>4 PLACES</td> <td>± ---</td> <td>± ---</td> </tr> <tr> <td>3 PLACES</td> <td>± ---</td> <td>± ---</td> </tr> <tr> <td>2 PLACES</td> <td>± 0.13</td> <td>± ---</td> </tr> <tr> <td>1 PLACE</td> <td>± 0.25</td> <td>± ---</td> </tr> </tbody> </table> ANGULAR ±1/2° |                 | mm    | INCH             | 4 PLACES  | ± --- | ± --- | 3 PLACES | ± --- | ± --- | 2 PLACES | ± 0.13 | ± --- | 1 PLACE | ± 0.25 | ± --- | MM ONLY<br>DRAWN BY: HAVERY 2012/06/08<br>CHECKED BY: DATE | 4:1 | METRIC |  |
|  |   | mm  | INCH            |       |                  |   |       |       |          |       |       |          |        |       |         |        |       |  |     |        |  |
|  | 4 PLACES  | ± ---   | ± ---           |       |                  |   |       |       |          |       |       |          |        |       |         |        |       |  |     |        |  |
| 3 PLACES   | ± ---   | ± ---   |                 |       |                  |   |       |       |          |       |       |          |        |       |         |        |       |  |     |        |  |
| 2 PLACES   | ± 0.13  | ± ---   |                 |       |                  |   |       |       |          |       |       |          |        |       |         |        |       |  |     |        |  |
| 1 PLACE  | ± 0.25  | ± ---   |                 |       |                  |   |       |       |          |       |       |          |        |       |         |        |       |  |     |        |  |
| DRAFT WHERE APPLICABLE MUST REMAIN WITHIN DIMENSIONS   | APPROVED BY: MBANKI S 2012/07/31<br>MATERIAL NO: SEE SHEET 1<br>SIZE: D | TITLE: ASSEMBLY, QSFP PLUS STACKED 2 X 3 ENHANCED EMI PERFORMANCE<br>MOLEX INCORPORATED   |                 |       | SHEET NO. 3 OF 3 |   |       |       |          |       |       |          |        |       |         |        |       |  |     |        |  |
|  |   |   |                 |       |                  | DOCUMENT NO: SD-76870-2000<br>THIS DRAWING CONTAINS INFORMATION THAT IS PROPRIETARY TO MOLEX INCORPORATED AND SHOULD NOT BE USED WITHOUT WRITTEN PERMISSION |       |       |          |       |       |          |        |       |         |        |       |  |     |        |  |

19 18 17 16 15 14 13 12 11 10 9 8 7 6 5 4 3 2 1