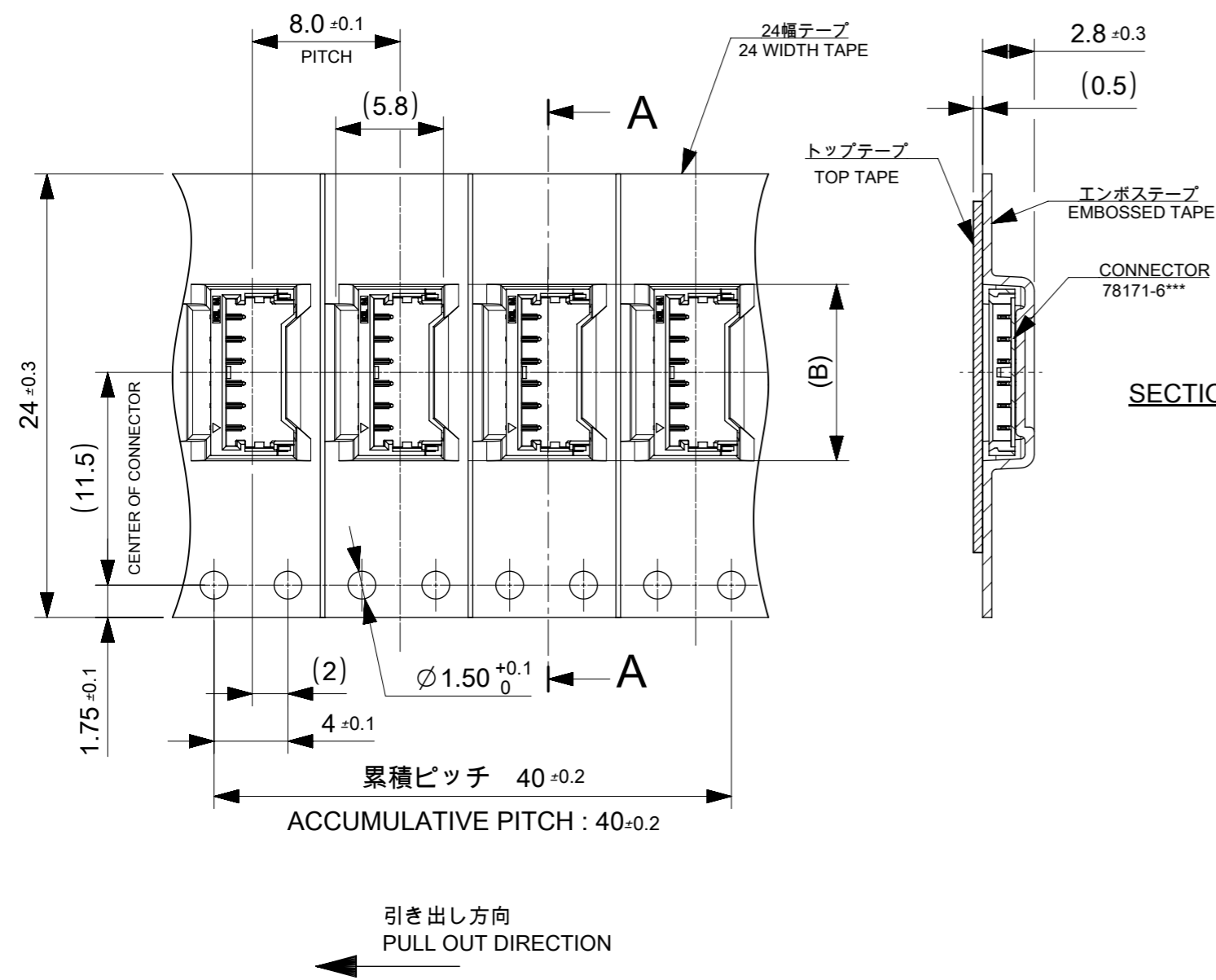


NOTES

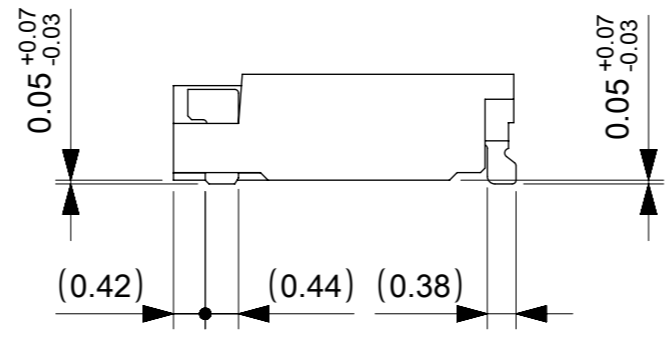
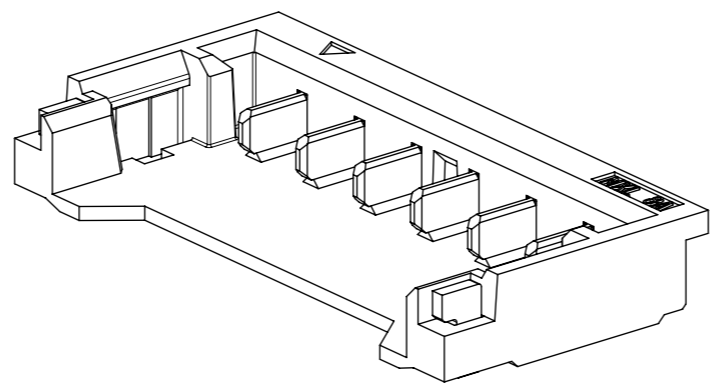
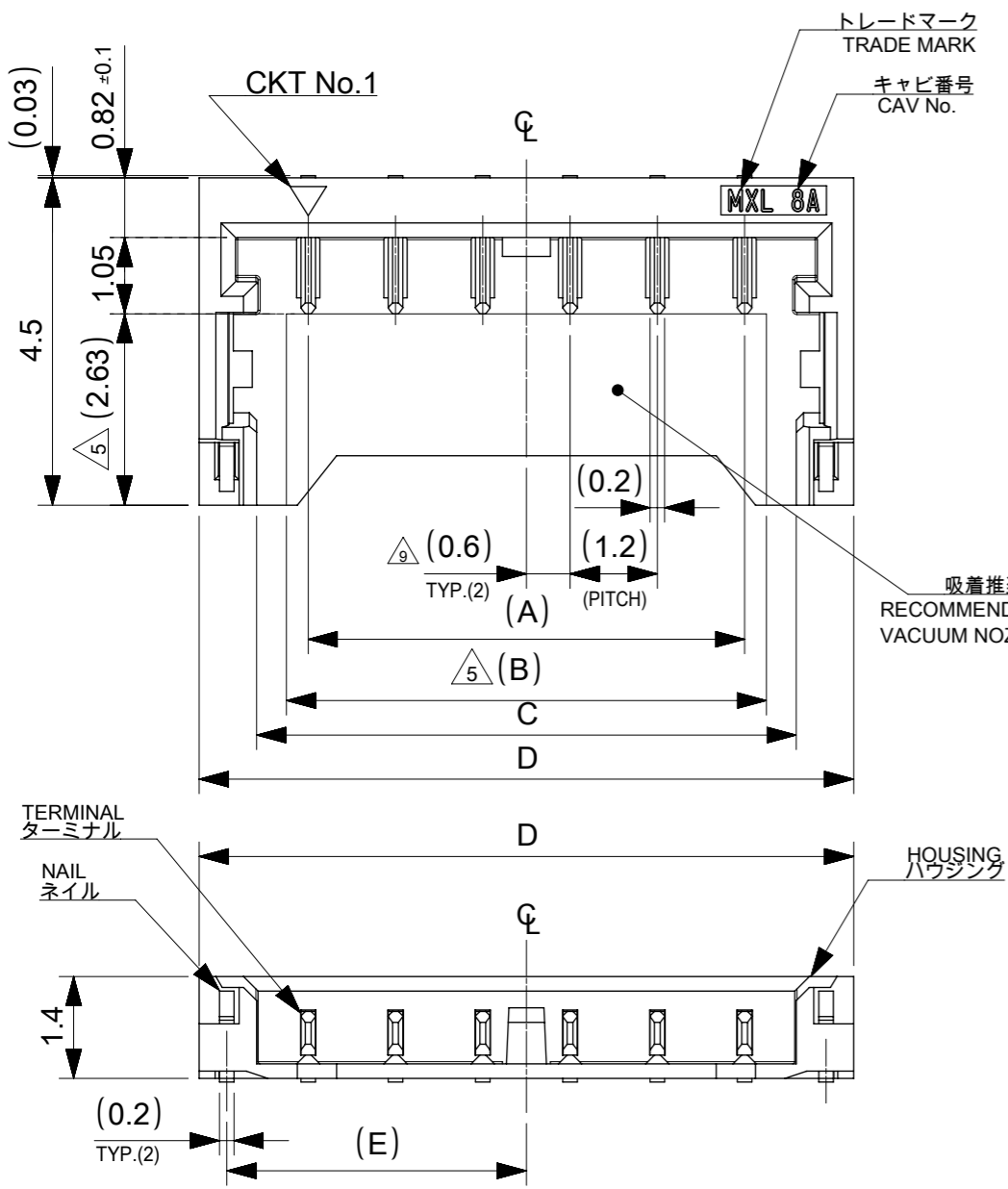
- 製品詳細につきましては、781716007 を参照下さい。
RE DETAILED DIMENSION, SEE 781716007.
- 梱包数量 : 4,500 個/リール
NUMBER OF CONNECTORS : 4,500PCS/REEL.
- リードテープの長さ
LEAD TAPE LENGTH.
- 材料(MATERIAL)
 キャリアテープ (CARRIER TAPE): POLYPROPYLENE - PP
 トップテープ (TOP TAPE) : PET, PE, PE
 リール (REEL) : ポリスチレン (POLYSTYRENE) <リサイクル材を含む>
 < RECYCLE MATERIAL CONTAINED. >
- 製品の取扱いについては取扱説明書"AS-78172-001"を参照願います。
REFER TO INSTRUCTION MANUAL "AS-78172-001"
- ELV及びRoHS適合品
ELV AND RoHS COMPLIANT.



10.5	781716307	781715307	7	781715***
	781716007	781715007		
9.3	781716306	781715306	6	781715***
	781716006	781715006		
B	CONNECTOR	MATERIAL NO.	CKT.	MODEL NO.

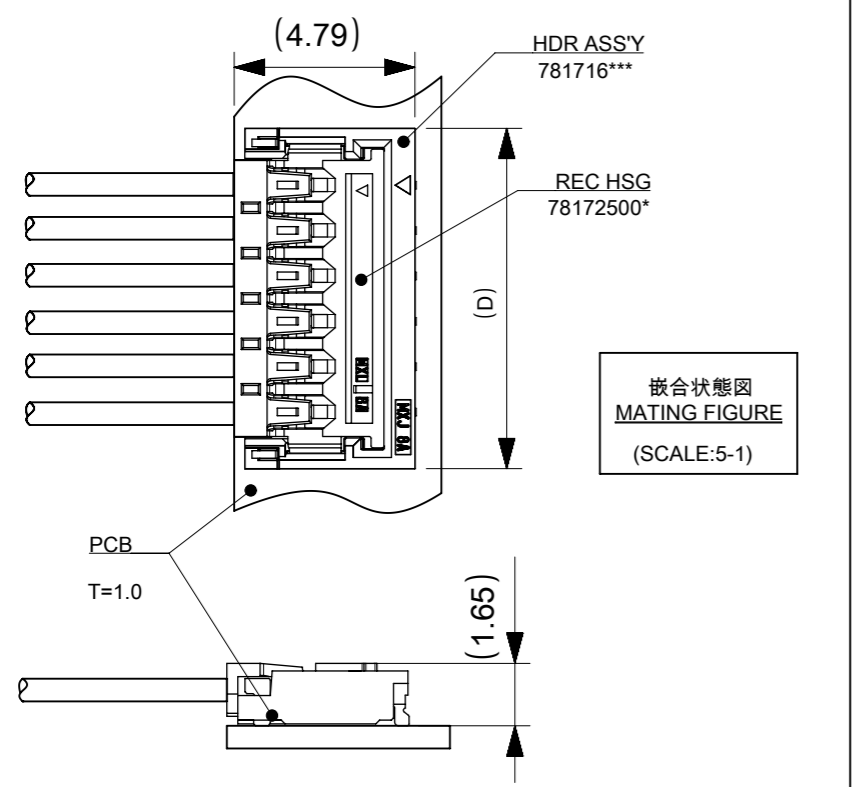
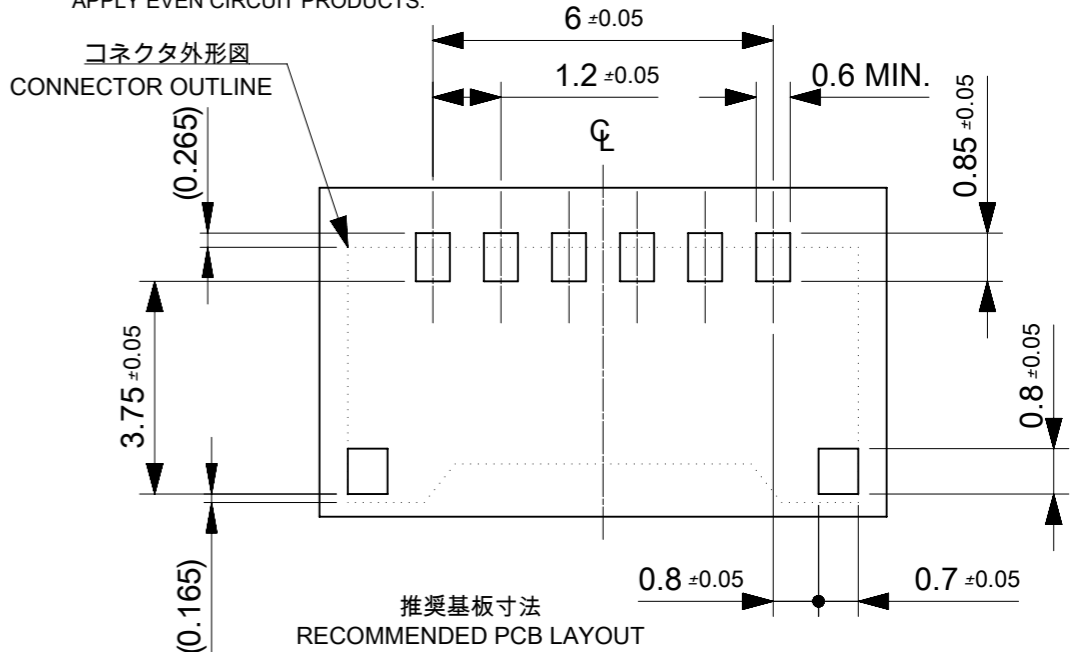
THIS DRAWING CONTAINS INFORMATION THAT IS PROPRIETARY TO MOLEX ELECTRONIC TECHNOLOGIES, LLC AND SHOULD NOT BE USED WITHOUT WRITTEN PERMISSION

EC NO: 105537 DRWN: SSHIMONISHI CHK'D: KOMURAKAMI APPR: TKANEKO	2016/09/13	2016/10/14	2016/10/14	GENERAL TOLERANCES (UNLESS SPECIFIED) ANGULAR TOL ± 3.0 ° 4 PLACES ± 0.03 3 PLACES ± 0.03 2 PLACES ± 0.05 1 PLACE ± 0.1 0 PLACES ± 0.2 DRAFT WHERE APPLICABLE MUST REMAIN WITHIN DIMENSIONS	DIMENSION UNITS	SCALE			
					MM	NTS			
					DRWN BY	DATE		SSHIMONISHI	2016/09/13
					CHK'D BY	DATE		KOMURAKAMI	2016/10/14
					APPR BY	DATE		TKANEKO	2016/10/14
			DRAWING SIZE	THIRD ANGLE PROJECTION	A3		PICO-EZMATE EMBOSES TAPE PKG FOR 78171		
							PRODUCT CUSTOMER DRAWING SERIES: 78171 MATERIAL NUMBER: 781715007 CUSTOMER:		
							DOCUMENT NUMBER: 781715007 DOC TYPE: PSD DOC PART: 000 SHEET NUMBER: 1 OF 1		



注記: 1. 材質 ハウジング: PA46, UL94V-0, 色: 黒
 NOTES. MATERIALS HOUSING: PA46, UL94V-0, COLOUR:BLACK
 ターミナル: 銅合金
 TERMINAL: COPPER ALLOY
 ネイル: 銅合金
 FITTING NAIL: COPPER ALLOY

2. 嵌合相手: 78172-5***
MATING WITH: 78172-5***
3. 梱包形態: エンボスリール梱包 (詳細は781715007を参照願います。)
PACKAGING SPECIFICATION: EMBOSSED TAPE (REFER TO 781715007)
4. 製品番号は右記の内容を示す: 781716***
PRODUCT NUMBER INDICATES FOLLOWING
5. 吸着推奨エリアを示す。
SHOWS VACUUM NOZZLE AREA.
6. ソルダータールとネイルの平坦度: 0.10 mm MAX.
SOLDER TAIL AND FITTING NAIL COPLANARITY 0.1mm MAX.
7. ELV 及び RoHS 適合品。
ELV AND RoHS COMPLIANT.
8. 製品の取扱いについては取扱説明書"AS-78172-001"を参照願います。
REFER TO INSTRUCTION MANUAL"AS-78172-001"
9. 偶数極の製品に適用。
APPLY EVEN CIRCUIT PRODUCTS.



1.5µmMIN.	1.0µmMIN.	0.38µmMIN.	1.0µmMIN.	7.2	7.8	8.62	10.2±0.25	4.72	7	781715307	781716307				
		0.1µmMIN.		6.0	6.6	7.42	9.0±0.25	4.12	6	781715007	781716007				
		0.38µmMIN.		Sn(OVERALL)	Ni(OVERALL)	Au(CONTACT)	Ni(OVERALL)	A	B	C	D	E	CKT	PACKING FORM. EMBOSSED TAPE	MATERIAL NO.
		0.1µmMIN.													

THIS DRAWING CONTAINS INFORMATION THAT IS PROPRIETARY TO MOLEX ELECTRONIC TECHNOLOGIES, LLC AND SHOULD NOT BE USED WITHOUT WRITTEN PERMISSION

REVISED EC NO: 118768 DRWN: SSHIMONISHI CHK'D: KOMURAKAMI APP: TKANEKO	2017/06/29	2017/06/29	2017/06/29	GENERAL TOLERANCES (UNLESS SPECIFIED)	DIMENSION UNITS	SCALE	
	2017/06/29	2017/06/29	2017/06/29	ANGULAR TOL ± 3.0 °	MM	10:1	
	4 PLACES ± 0.03	SSHIMONISHI	2016/09/13	DRWN BY	DATE		
	3 PLACES ± 0.03	CHK'D BY	DATE				
2 PLACES ± 0.05	KOMURAKAMI	2016/10/14	APP BY	DATE			
1 PLACE ± 0.1	TKANEKO	2016/10/14	DRAWING SIZE	THIRD ANGLE PROJECTION			
0 PLACES ± 0.2			A3				
DRAFT WHERE APPLICABLE MUST REMAIN WITHIN DIMENSIONS				PRODUCT CUSTOMER DRAWING			
SERIES		MATERIAL NUMBER		CUSTOMER			
78171							
DOCUMENT NUMBER			DOC TYPE	DOC PART	SHEET NUMBER		
781716007			PSD	000	1 OF 1		