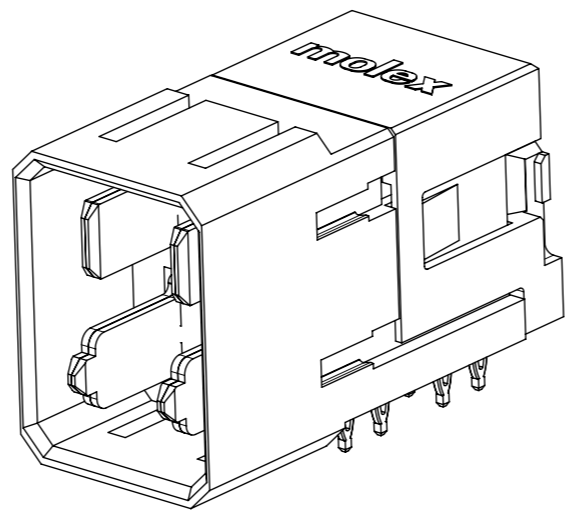
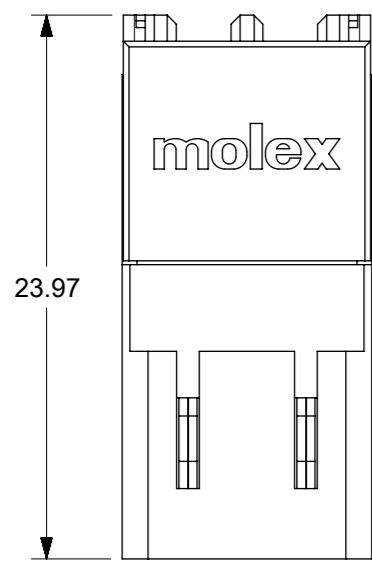


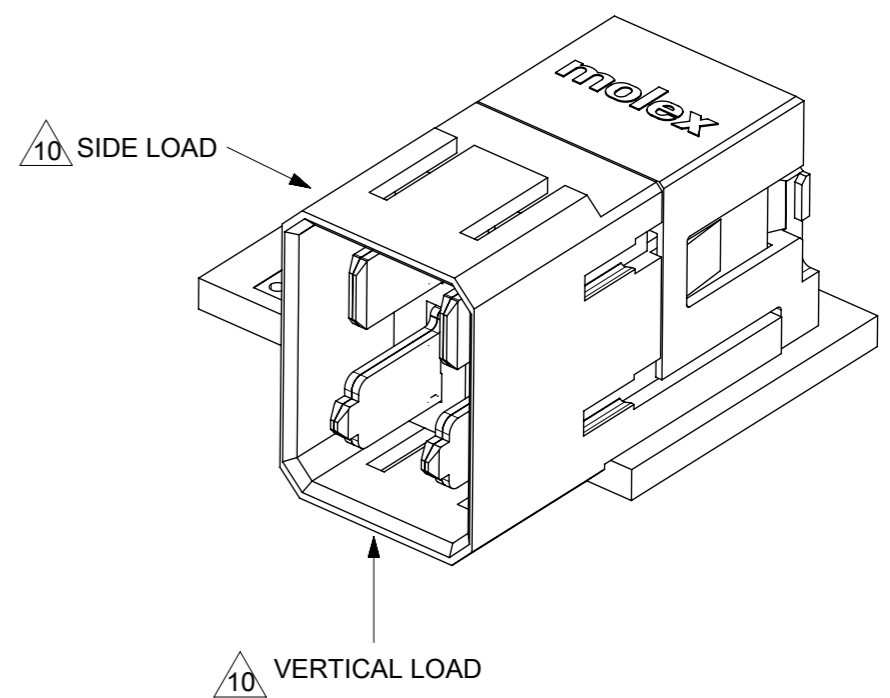
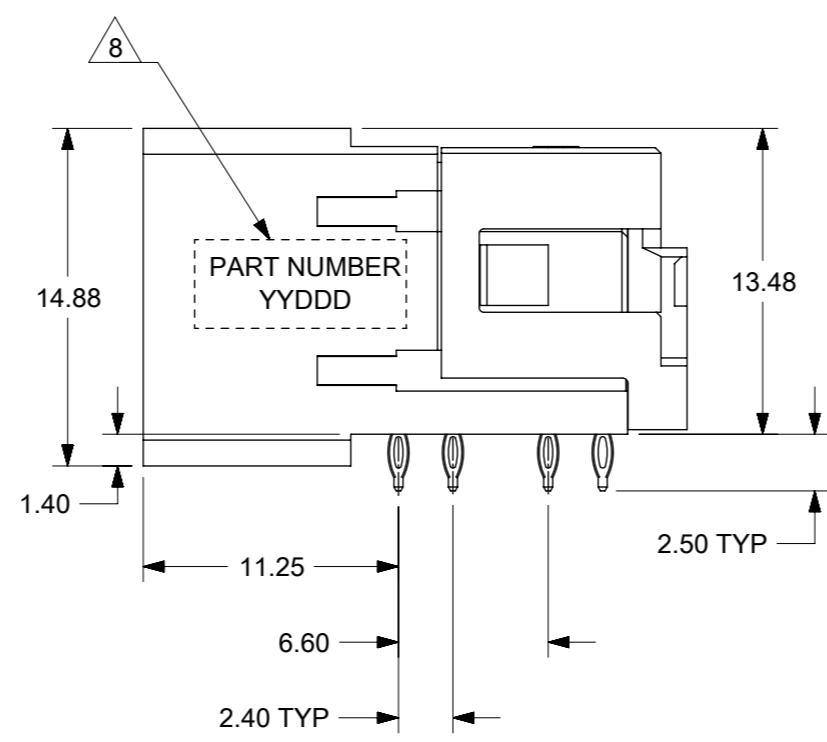
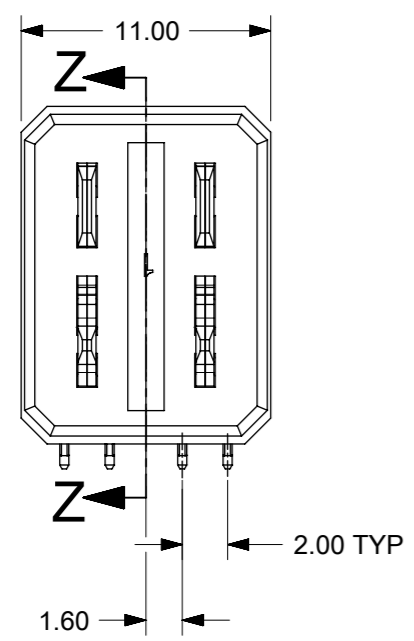
E



- NOTES:
1. MATERIAL:  
HOUSING - LCP, GLASS FILLED, UL94-V0, COLOR: BLACK  
POWER PIN - COPPER ALLOY
  2. FINISHES OPTION:  
TIN - 0.76µm MINIMUM GOLD AT CONTACT AND  
2.54µm MINIMUM TIN AT SOLDER TAIL AREA OVER  
1.27µm MINIMUM NICKEL UNDERPLATE OVERALL.
  3. PRODUCT SPECIFICATION: PS-78213-001.
  4. PACKAGING SPECIFICATION: PK-78211-001.
  5. MATES WITH 78247-\*\*\*\* & 78212-\*\*\*\*.
  6. REFER SHEET 3 FOR RECOMMENDED PCB LAYOUT.
  7. REFER TO MOLEX PRODUCT SPECIFICATION PS-78213-001 FOR PLATED THROUGH-HOLE SPECIFICATIONS.
  8. PART NUMBER AND DATE CODE (YYDDD) APPROXIMATELY SHOWN.
  9. KEEP OUT ZONE FROM OTHER COMPONENTS.
  10. CONNECTOR-TO-PCB RETENTION FORCE SHALL WITHSTAND VERTICAL LOAD OF 1.5KGF AND SIDE LOAD OF 3KGF MAXIMUM RESPECTIVELY. FOR APPLICATION THAT REQUIRES MORE CONNECTOR-TO-PCB RETENTION FORCE, PLEASE CONTACT MOLEX SALES TECHNICAL PERSONNEL FOR RECOMMENDATION.

D

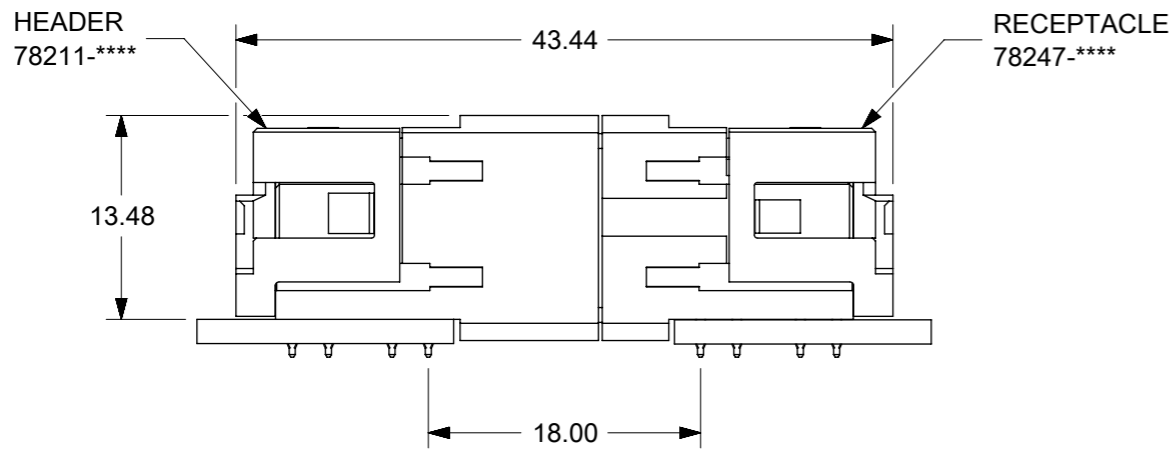
C



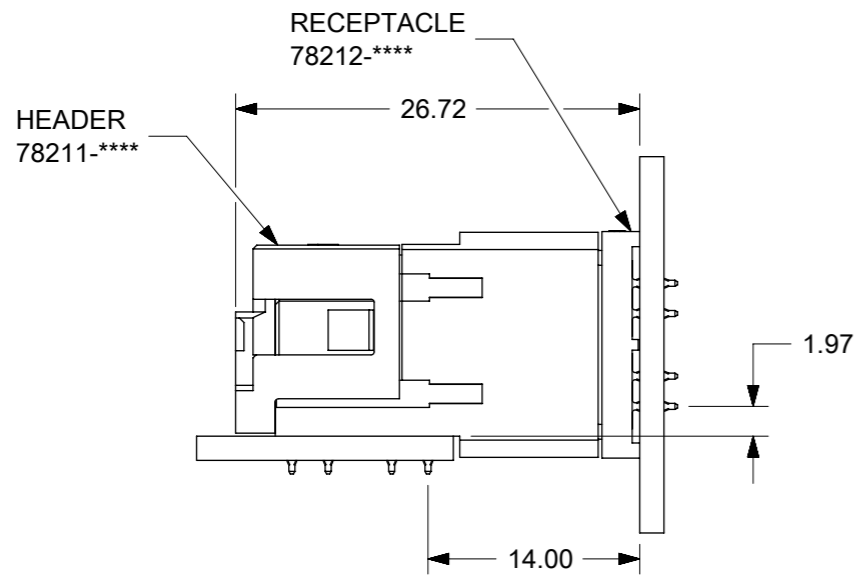
B

A

THIS DRAWING CONTAINS INFORMATION THAT IS PROPRIETARY TO MOLEX ELECTRONIC TECHNOLOGIES, LLC AND SHOULD NOT BE USED WITHOUT WRITTEN PERMISSION									
DIMENSION UNITS		SCALE		CURRENT REV DESC: MIGRATED TO NX					
mm		NTS							
GENERAL TOLERANCES (UNLESS SPECIFIED)									
ANGULAR TOL		± 3.0 °		IMPACT POWER, 3 PAIR RIGHT ANGLE HEADER PRESS-FIT					
4 PLACES		±		PRODUCT CUSTOMER DRAWING					
3 PLACES		±		DOCUMENT NUMBER					
2 PLACES		± 0.25		SD-78211-002					
1 PLACE		±		DOC TYPE					
0 PLACES		±		PSD					
DRAFT WHERE APPLICABLE MUST REMAIN WITHIN DIMENSIONS		THIRD ANGLE PROJECTION		DRAWING		SERIES		SHEET NUMBER	
				A3-SIZE		78211		1 OF 3	

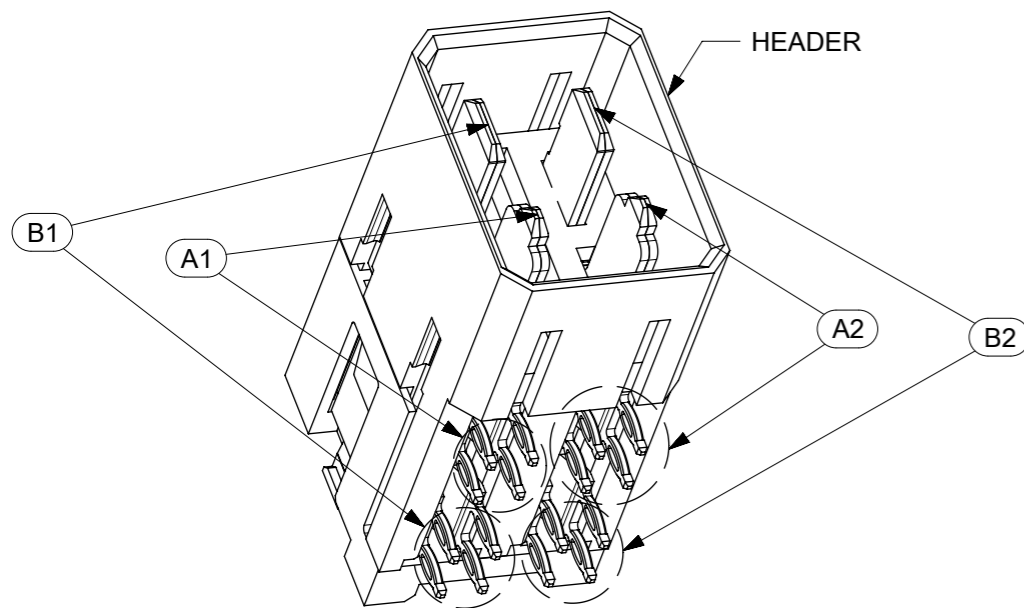


RIGHT ANGLE HEADER (78211) & RIGHT ANGLE RECEPTACLE (78247)

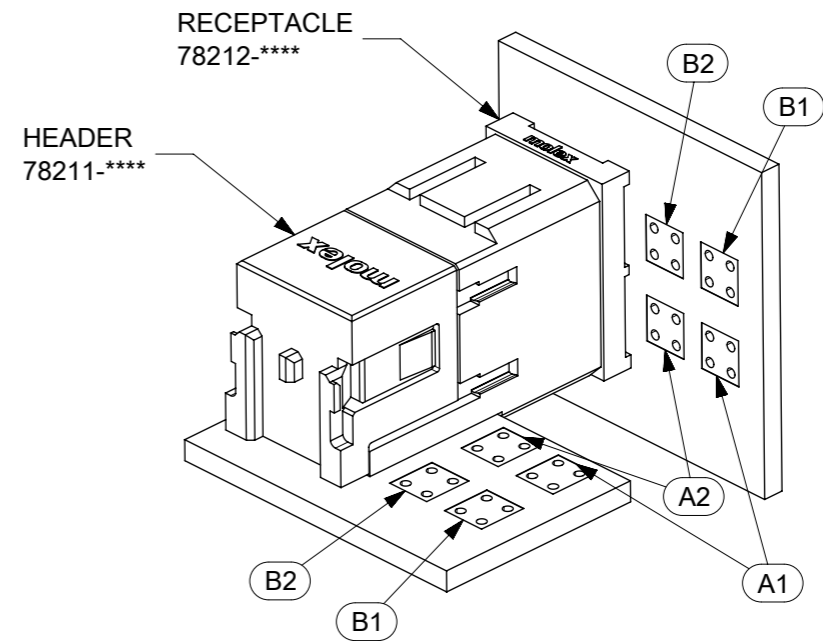
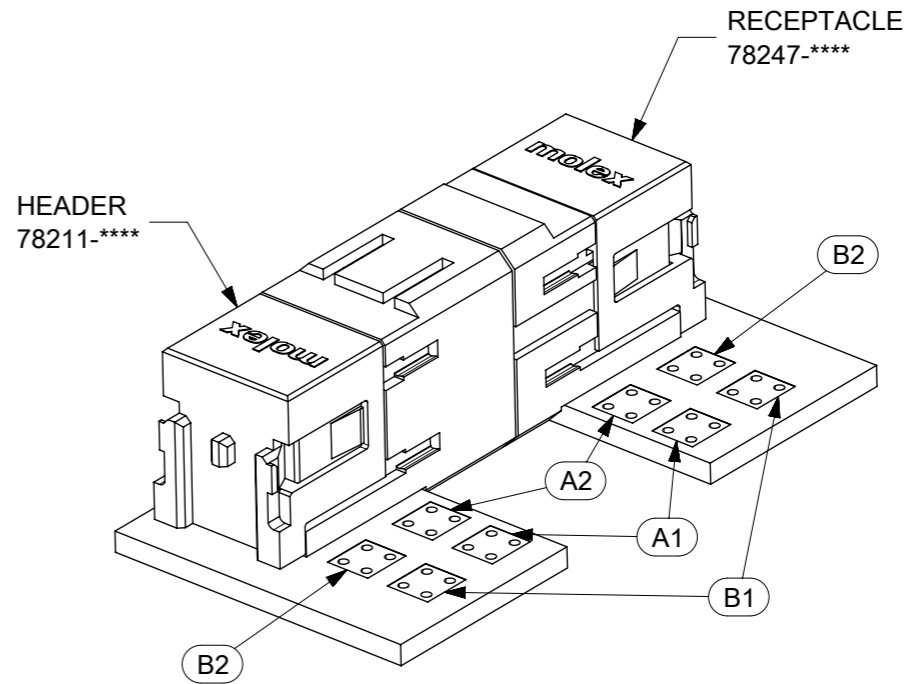


RIGHT ANGLE HEADER (78211) & VERTICAL RECEPTACLE (78212)

5 MATED SYSTEM OPTIONS WITH 78211



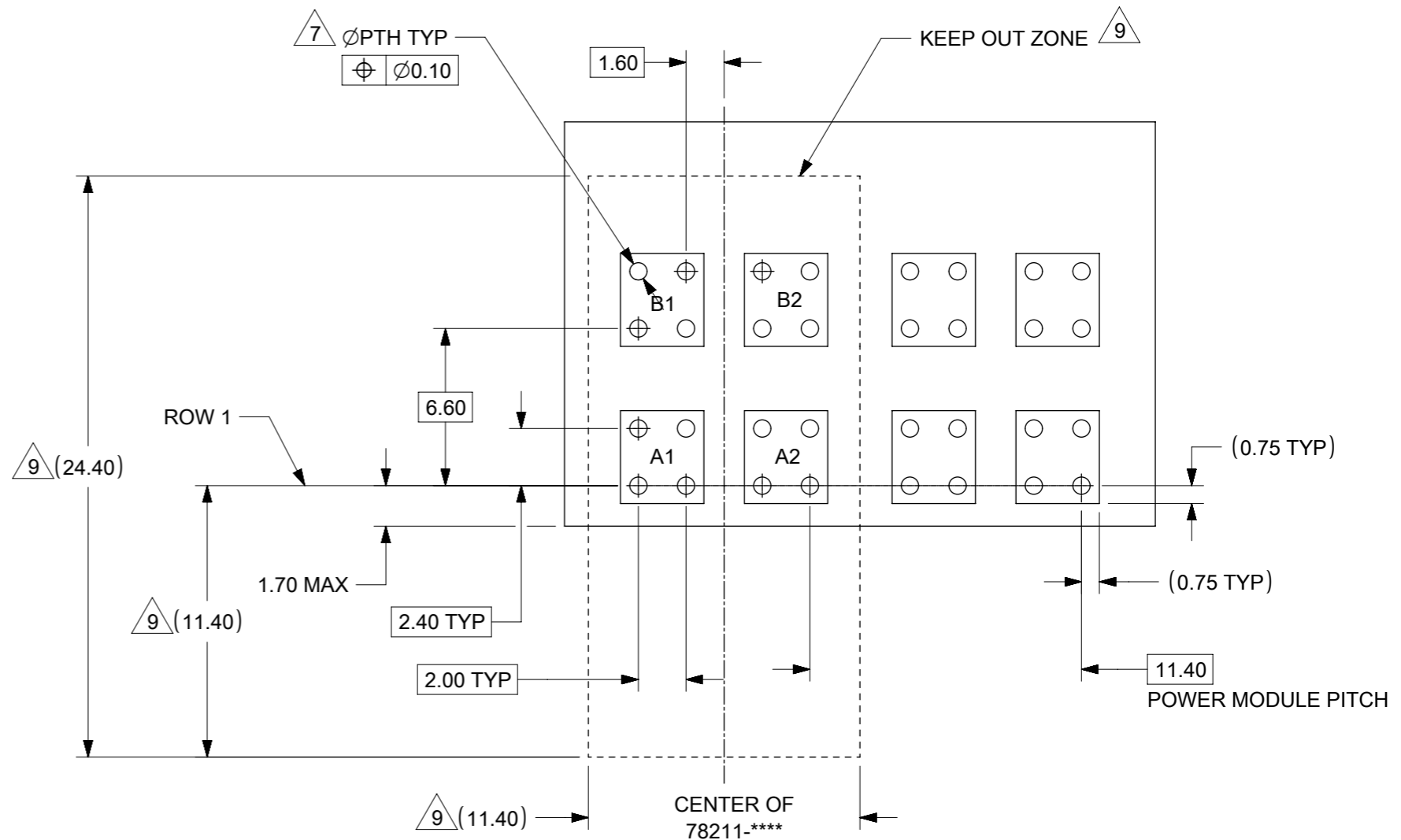
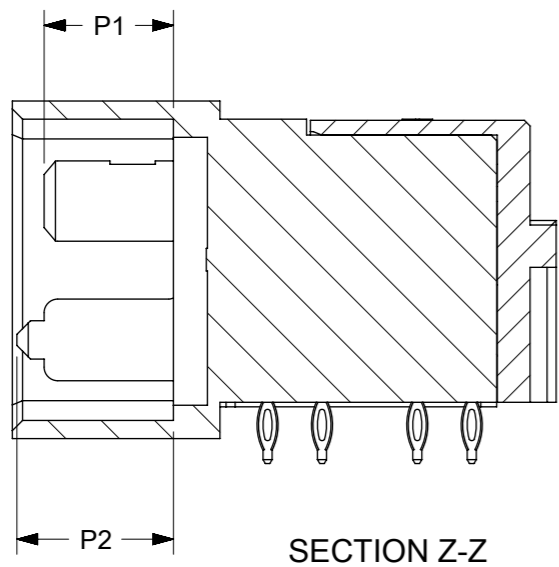
PIN NUMBER ASSIGNMENT FOR CIRCUIT PATH ON MATED SYSTEM IS BASED ON HEADER SIDE:  
A1, B1 ON THE LEFT,  
A2, B2 ON THE RIGHT.



CIRCUIT PATH OF MATED SYSTEM

THIS DRAWING CONTAINS INFORMATION THAT IS PROPRIETARY TO MOLEX ELECTRONIC TECHNOLOGIES, LLC AND SHOULD NOT BE USED WITHOUT WRITTEN PERMISSION									
DIMENSION UNITS		SCALE		CURRENT REV DESC: MIGRATED TO NX					
mm		NTS							
GENERAL TOLERANCES (UNLESS SPECIFIED)									
ANGULAR TOL		± 3.0 °		EC NO: 612508		2019/02/06		IMPACT POWER, 3 PAIR	
4 PLACES		±		DRWN: NMUTHARAYAPP		2019/03/12		RIGHT ANGLE HEADER PRESS-FIT	
3 PLACES		±		CHK'D: ABN		2019/03/13		PRODUCT CUSTOMER DRAWING	
2 PLACES		± 0.25		APPR: CWANG25		2019/03/13		DOCUMENT NUMBER	
1 PLACE		±		INITIAL REVISION:		2007/12/11		DOC TYPE	
0 PLACES		±		DRWN: LNG		2007/12/12		DOC PART	
DRAFT WHERE APPLICABLE MUST REMAIN WITHIN DIMENSIONS				THIRD ANGLE PROJECTION		DRAWING		SERIES	
						A3-SIZE		78211	
				MATERIAL NUMBER		CUSTOMER		REVISION	
				SEE TABLE		GENERAL MARKET		SD-78211-002 PSD 001 A5	
				SHEET NUMBER		2 OF 3			

PART NUMBER	P1 (APPLIES TO B1 & B2)	P2 (APPLIES TO A1 & A2)	PLATING OPTIONS	PACKAGING
78211-1011	6.90	6.90	TIN PLATING	TRAY
78211-1022	5.70	5.70		
78211-1033	6.90	5.70		
78211-1044	5.70	6.90		



THIS DRAWING CONTAINS INFORMATION THAT IS PROPRIETARY TO MOLEX ELECTRONIC TECHNOLOGIES, LLC AND SHOULD NOT BE USED WITHOUT WRITTEN PERMISSION											
DIMENSION UNITS		SCALE		CURRENT REV DESC: MIGRATED TO NX							
mm		NTS									
GENERAL TOLERANCES (UNLESS SPECIFIED)											
ANGULAR TOL ± 3.0°				EC NO: 612508 DRWN: NMUTHARAYAPP 2019/02/06 CHK'D: ABN 2019/03/12 APPR: CWANG25 2019/03/13							
4 PLACES ±				INITIAL REVISION:							
3 PLACES ±				DRWN: LNG 2007/12/11							
2 PLACES ± 0.25				APPR: SHONG 2007/12/12							
1 PLACE ±				DOCUMENT NUMBER		DOC TYPE		DOC PART		REVISION	
0 PLACES ±				SD-78211-002		PSD		001		A5	
DRAFT WHERE APPLICABLE MUST REMAIN WITHIN DIMENSIONS		THIRD ANGLE PROJECTION		DRAWING		SERIES		MATERIAL NUMBER		CUSTOMER	
				A3-SIZE		78211		SEE TABLE		GENERAL MARKET	
DOCUMENT STATUS		P1		RELEASE DATE		2019/03/13		10:32:41		SHEET NUMBER	
										3 OF 3	