

NOTES:

1. MATERIAL:

HOUSING - LCP, GLASS FILLED, UL94-V0, COLOR: BLACK
POWER PIN - COPPER ALLOY

2. FINISH OPTION:

TIN - 0.76µm MINIMUM GOLD AT CONTACT AND
2.54µm MINIMUM TIN AT SOLDER TAIL AREA OVER
1.27µm MINIMUM NICKEL UNDERPLATE OVERALL.
TIN-LEAD - 0.76µm MINIMUM GOLD AT CONTACT AND
2.54µm MINIMUM TIN-LEAD AT SOLDER TAIL AREA OVER
1.27µm MINIMUM NICKEL UNDERPLATE OVERALL.

3. PRODUCT SPECIFICATION: PS-78213-001.

4. PACKAGING SPECIFICATION: PK-78211-001.

5. MATES WITH 78247-**** & 78212-****.

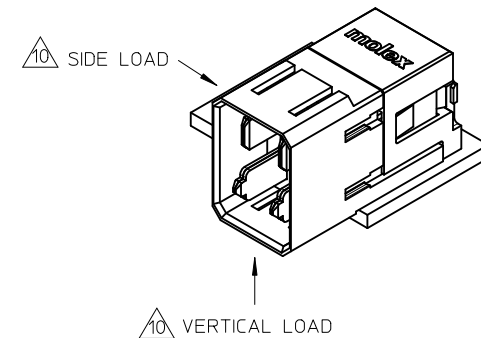
6. REFER TO SHEET 3 FOR RECOMMENDED PCB LAYOUT.

7. REFER TO MOLEX PRODUCT SPECIFICATION PS-78213-001 FOR PLATED THROUGH-HOLE SPECIFICATIONS.

8. PART NUMBER AND DATE CODE (YYDDD) APPROXIMATELY SHOWN.

9. KEEP OUT ZONE FROM OTHER COMPONENTS.

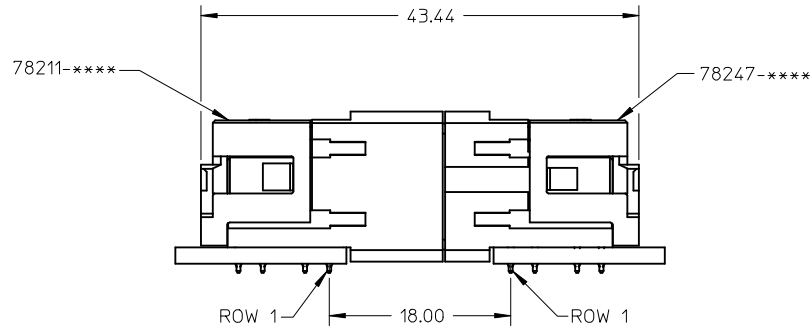
10. CONNECTOR-TO-PCB RETENTION FORCE SHALL WITHSTAND VERTICAL LOAD OF 15KGF AND SIDE LOAD OF 3KGF MAXIMUM RESPECTIVELY. FOR APPLICATION THAT REQUIRES MORE CONNECTOR-TO-PCB RETENTION FORCE, PLEASE CONTACT MOLEX SALES TECHNICAL PERSONNEL FOR RECOMMENDATION.



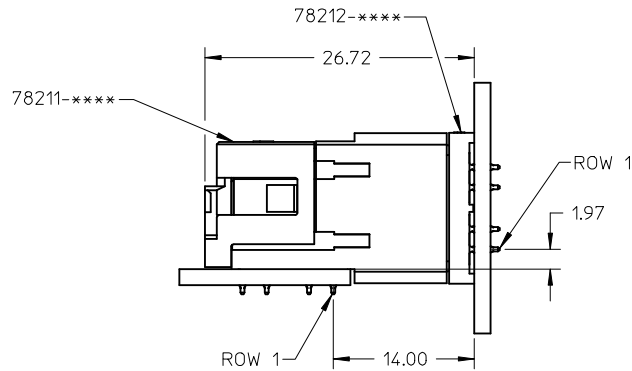
REVISED EC NO: S2010-0621 DRW:ANG 2010/01/25 CHKD:ANG 2010/02/04 APPR:SHONG 2010/02/06 REV DESCRIPTION	QUALITY SYMBOLS	GENERAL TOLERANCES (UNLESS SPECIFIED)	DIMENSION STYLE	SCALE	DESIGN UNITS	THIRD ANGLE PROJECTION
	$\nabla=0$ $\text{C}=0$	mm INCH 4 PLACES ± --- ± --- 3 PLACES ± --- ± --- 2 PLACES ± 0.25 ± --- 1 PLACE ± --- ± --- ANGULAR ± 3 °	MM ONLY	NTS	METRIC	
		DRAFT WHERE APPLICABLE MUST REMAIN WITHIN DIMENSIONS	DRAWN BY DATE LNG 2007/11/26 CHECKED BY DATE ANG 2007/12/10 APPROVED BY DATE SHONG 2007/12/11	TITLE	IMPACT POWER, 3 PAIR RIGHT ANGLE HEADER PRESS-FIT	
	A2		MATERIAL NO. SEE TABLE SIZE A3	DOCUMENT NO. SD-78211-002	MOLEX INCORPORATED SHEET NO. 1 OF 3	

5 MATED SYSTEM OPTIONS WITH 78211

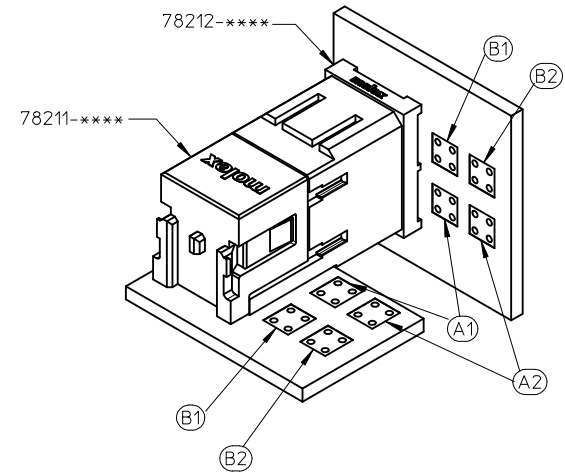
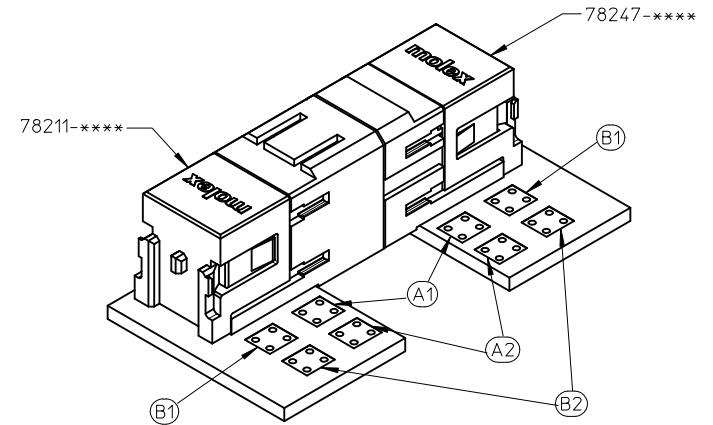
CIRCUIT PATH OF MATED SYSTEM



RIGHT ANGLE HEADER (78211) & RIGHT ANGLE RECEPTACLE (78247)

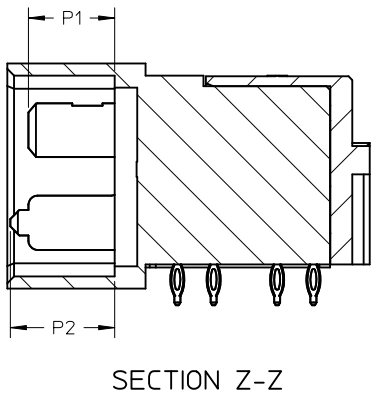


RIGHT ANGLE HEADER (78211) & VERTICAL RECEPTACLE (78212)

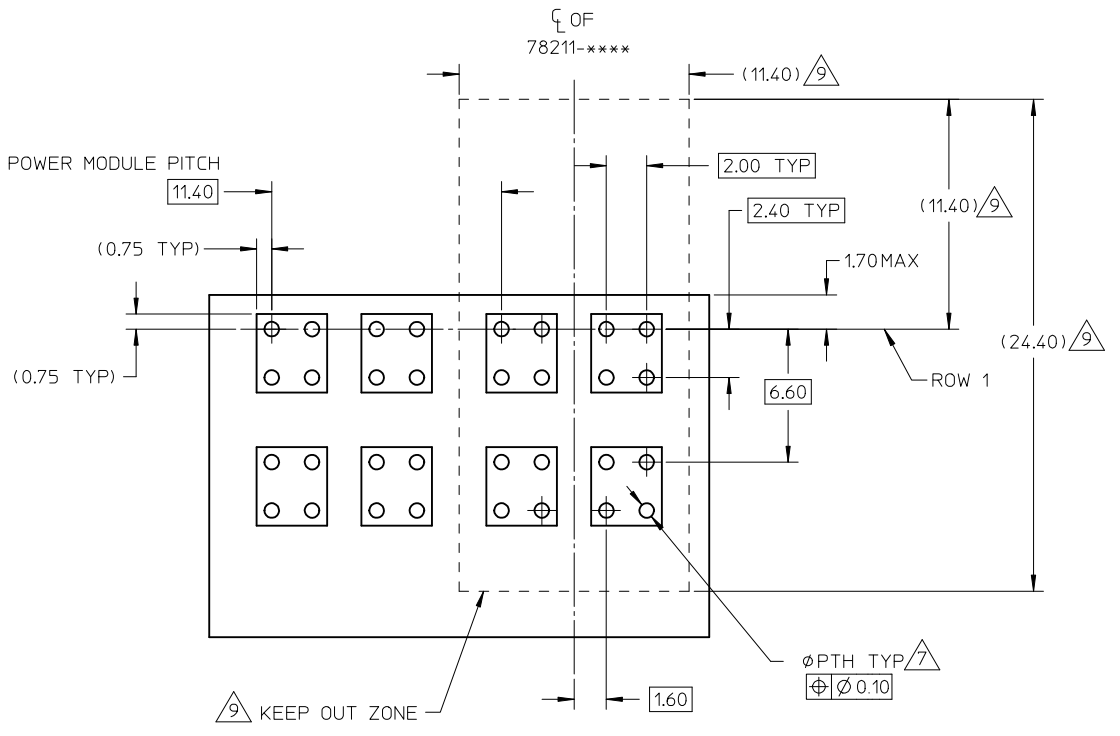


REVISED EC NO: S2010-0621 DRW:ANG CHKD:ANG APPR:SHONG 2010/01/25 2010/02/04 2010/02/06	QUALITY SYMBOLS ▽=0 ◻=0	GENERAL TOLERANCES (UNLESS SPECIFIED) mm INCH 4 PLACES ± --- ± --- 3 PLACES ± --- ± --- 2 PLACES ± 0.25 ± --- 1 PLACE ± --- ± --- ANGULAR ± 3 °	DIMENSION STYLE MM ONLY DRAWN BY: LNG CHECKED BY: ANG APPROVED BY: SHONG MATERIAL NO.: SEE TABLE	SCALE: NTS DESIGN UNITS: METRIC DATE: 2007/11/26 DATE: 2007/12/10 DATE: 2007/12/11	THIRD ANGLE PROJECTION TITLE: IMPACT POWER, 3 PAIR RIGHT ANGLE HEADER PRESS-FIT MOLEX INCORPORATED DOCUMENT NO.: SD-78211-002	SHEET NO.: 2 OF 3
	DRAFT WHERE APPLICABLE MUST REMAIN WITHIN DIMENSIONS	SIZE: A3	THIS DRAWING CONTAINS INFORMATION THAT IS PROPRIETARY TO MOLEX INCORPORATED AND SHOULD NOT BE USED WITHOUT WRITTEN PERMISSION			
	REV: A2	DESCRIPTION:				

PART NUMBER	P1 (APPLIES TO B1 & B2)	P2 (APPLIES TO A1 & A2)	PLATING OPTIONS	PACKAGING
78211-1011	6.90	6.90	TIN PLATING	TRAY
78211-1022	5.70	5.70		
78211-1033	6.90	5.70		
78211-1044	5.70	6.90		
78211-5011	6.90	6.90	TIN-LEAD PLATING	
78211-5022	5.70	5.70		
78211-5033	6.90	5.70		
78211-5044	5.70	6.90		



RECOMMENDED PCB LAYOUT
(COMPONENT SIDE SHOWN)
MINIMUM BOARD THICKNESS: 1.60mm



REVISED EC NO: S2010-0621 DRW:ANG 2010/01/25 CHKD:ANG 2010/02/04 APPR:SHONG 2010/02/06	QUALITY SYMBOLS	GENERAL TOLERANCES (UNLESS SPECIFIED)	DIMENSION STYLE	SCALE	DESIGN UNITS	THIRD ANGLE PROJECTION															
	$\nabla=0$ $\square=0$	<table border="1"> <thead> <tr> <th></th> <th>mm</th> <th>INCH</th> </tr> </thead> <tbody> <tr> <td>4 PLACES</td> <td>± ---</td> <td>± ---</td> </tr> <tr> <td>3 PLACES</td> <td>± ---</td> <td>± ---</td> </tr> <tr> <td>2 PLACES</td> <td>± 0.25</td> <td>± ---</td> </tr> <tr> <td>1 PLACE</td> <td>± ---</td> <td>± ---</td> </tr> </tbody> </table>		mm	INCH	4 PLACES	± ---	± ---	3 PLACES	± ---	± ---	2 PLACES	± 0.25	± ---	1 PLACE	± ---	± ---	MM ONLY	NTS	METRIC	
		mm	INCH																		
	4 PLACES	± ---	± ---																		
3 PLACES	± ---	± ---																			
2 PLACES	± 0.25	± ---																			
1 PLACE	± ---	± ---																			
DESCRIPTION	DRAFT WHERE APPLICABLE MUST REMAIN WITHIN DIMENSIONS	DRAWN BY: LNG DATE: 2007/11/26 CHECKED BY: ANG DATE: 2007/12/10 APPROVED BY: SHONG DATE: 2007/12/11	TITLE	IMPACT POWER, 3 PAIR RIGHT ANGLE HEADER PRESS-FIT																	
REV	MATERIAL NO. SEE TABLE	MATERIAL NO. DOCUMENT NO.	MOLEX INCORPORATED		SHEET NO. 3 OF 3																