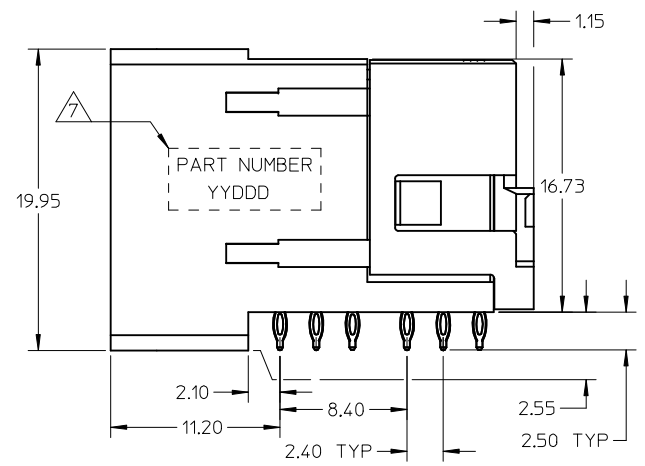
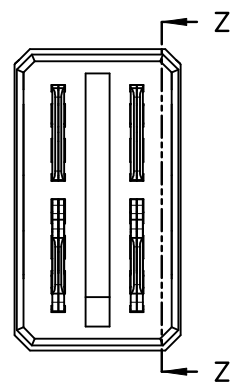
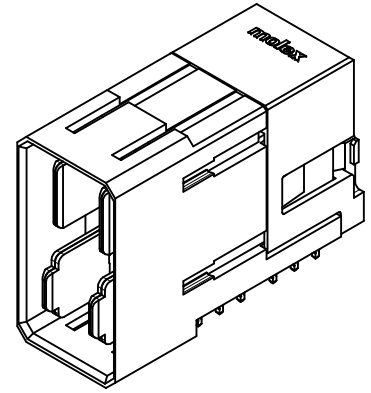
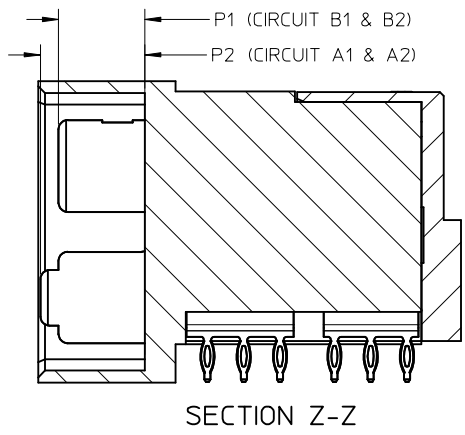
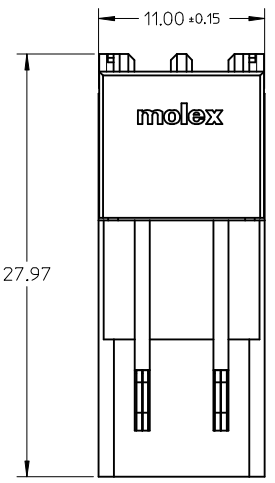
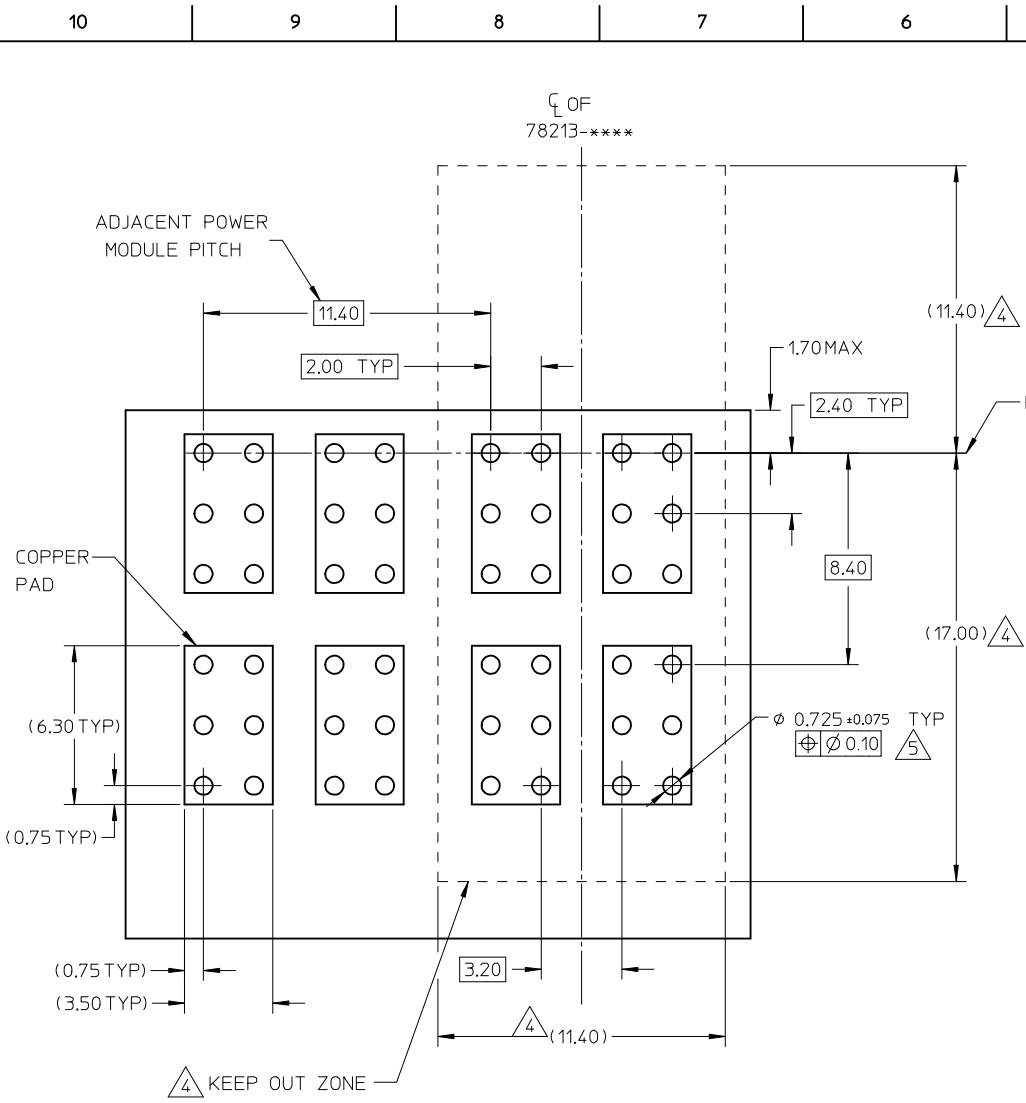


10 9 8 7 6 5 4 3 2 1

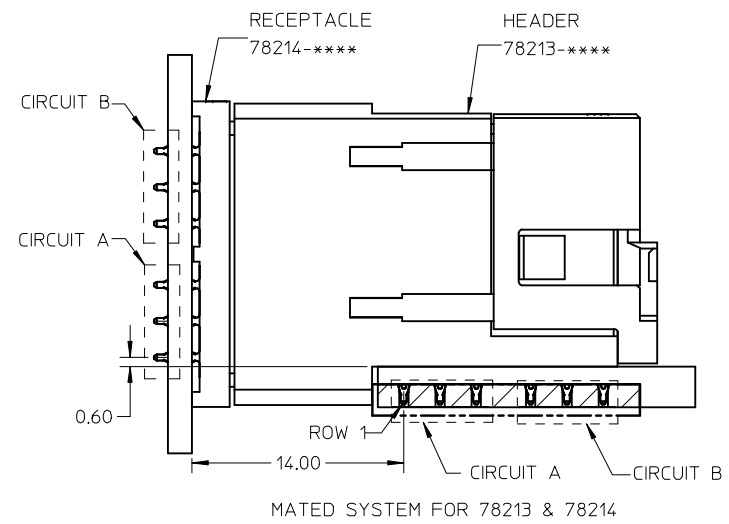


SEE SHEET 2 EC NO: S2014-0872 DRWN: SHONG CHKD: HCGOH APPR: SILENI	2015/01/09 2015/01/09 2015/04/07	DESCRIPTION REV	QUALITY SYMBOLS	GENERAL TOLERANCES (UNLESS SPECIFIED)	DIMENSION STYLE	SCALE	DESIGN UNITS	THIRD ANGLE PROJECTION		
			▼=0 ◻=0	mm INCH 4 PLACES ± --- ± --- 3 PLACES ± --- ± --- 2 PLACES ± 0.25 ± --- 1 PLACE ± --- ± --- ANGULAR ± 3 °	MM ONLY	NTS	METRIC	DRAWN BY: LNG DATE: 2007/11/02 CHECKED BY: KWLOKE DATE: 2008/01/11 APPROVED BY: SHONG DATE: 2008/01/11	TITLE	IMPACT POWER, 4 PAIR RIGHT ANGLE HEADER PRESS-FIT
			DRAFT WHERE APPLICABLE MUST REMAIN WITHIN DIMENSIONS	SEE TABLE	MATERIAL NO. DOCUMENT NO.	MOLEX MOLEX INCORPORATED	SHEET NO. 1 OF 3			
			A4	SIZE: A3 THIS DRAWING CONTAINS INFORMATION THAT IS PROPRIETARY TO MOLEX INCORPORATED AND SHOULD NOT BE USED WITHOUT WRITTEN PERMISSION	SD-78213-003	MOLEX INCORPORATED	SD-78213-003			

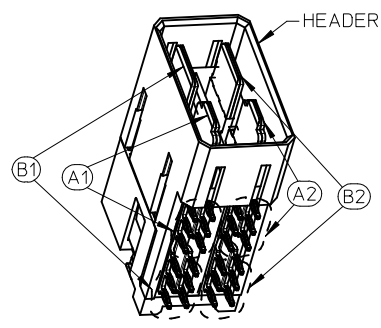
9 8 7 6 5 4 3 2 1



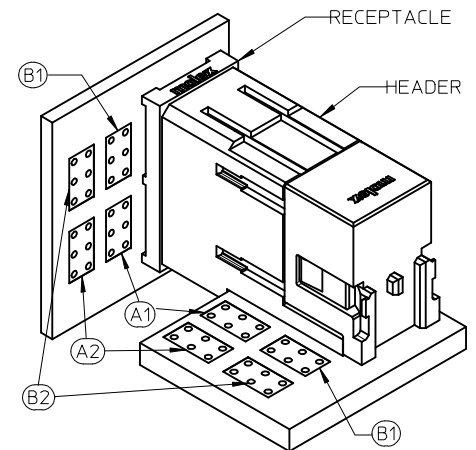
RECOMMENDED PCB LAYOUT
 (COMPONENT SIDE SHOWN)
 MINIMUM BOARD THICKNESS: 1.60mm
 RECOMMENDED BOARD THICKNESS: 2.80mm



MATED SYSTEM FOR 78213 & 78214



PIN NUMBER ASSIGNMENT
 BASED ON HEADER SIDE:
 A1, B1 ON THE LEFT,
 A2, B2 ON THE RIGHT.



CIRCUIT PATH OF MATED SYSTEM

ADD VIEW EC NO: S2014-0872 DRWN: SHONG CHKD: HICGOH APPR: SHILENI 2015/01/09 2015/01/09 2015/04/07	QUALITY SYMBOLS ▽=0 ◻=0	GENERAL TOLERANCES (UNLESS SPECIFIED)		DIMENSION STYLE MM ONLY		SCALE NTS	DESIGN UNITS METRIC	THIRD ANGLE PROJECTION		
		4 PLACES ± --- ± ---	3 PLACES ± --- ± ---	DRAWN BY LNG	DATE 2007/11/02	TITLE IMPACT POWER, 4 PAIR RIGHT ANGLE HEADER PRESS-FIT				
		2 PLACES ± 0.25 ± ---	1 PLACE ± --- ± ---	CHECKED BY KWLOKE	DATE 2008/01/11	MOLEX INCORPORATED				
		ANGULAR ± 3 °		APPROVED BY SHONG	DATE 2008/01/11	MATERIAL NO. SEE TABLE	DOCUMENT NO. SD-78213-003	SHEET NO. 2 OF 3		
DRAFT WHERE APPLICABLE MUST REMAIN WITHIN DIMENSIONS		SIZE A3		THIS DRAWING CONTAINS INFORMATION THAT IS PROPRIETARY TO MOLEX INCORPORATED AND SHOULD NOT BE USED WITHOUT WRITTEN PERMISSION						

10	9	8	7	6	5	4	3	2	1
PART NUMBER	P1 (APPLIES TO B1 & B2)	P2 (APPLIES TO A1 & A2)	PLATING OPTIONS	PACKAGING					
78213-1011	6.90	6.90	TIN PLATING	TRAY					
78213-1022	5.70	5.70							
78213-1033	6.90	5.70							
78213-1044	5.70	6.90							

NOTES:

1. MATERIAL:

HOUSING - LCP, GLASS FILLED, UL94-V0, COLOR: BLACK
POWER PIN - COPPER ALLOY

2. FINISH OPTION:

TIN - 0.76µm MINIMUM GOLD AT CONTACT AND
2.54µm MINIMUM TIN AT SOLDER TAIL AREA OVER
1.27µm MINIMUM NICKEL UNDERPLATE OVERALL.

3. PRODUCT SPECIFICATION: PS-78213-001.

4. KEEP OUT ZONE FROM OTHER COMPONENTS.

5. PCB NOTE FOR DIAMETER 0.725mm PLATED HOLE.

- DRILLED HOLE SIZE IS 0.838mm
- PLATED WITH 0.007mm MIN. TIN OVER
0.03 TO 0.08mm COPPER UNDERPLATE TO ACHIEVE
0.725±0.075mm HOLE.

SEE SHEET 2 FOR RECOMMENDED PCB LAYOUT.

6. MATES WITH 78214-****.

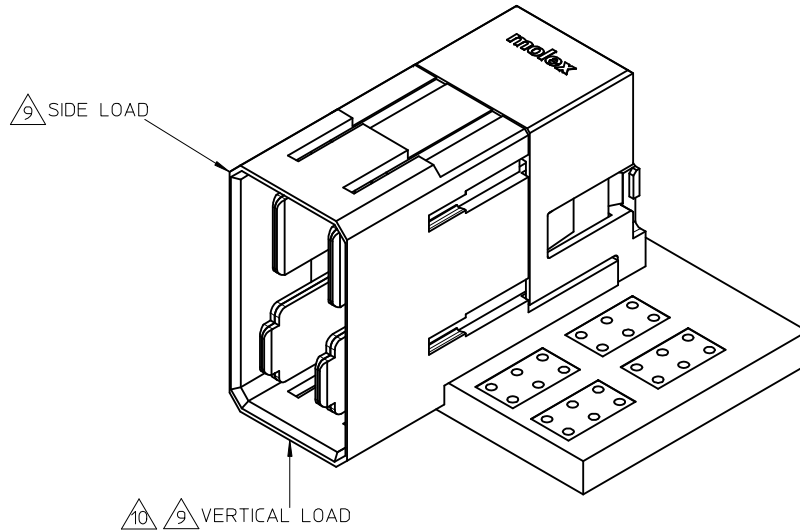
7. PART NUMBER AND DATE CODE (YYDDD) APPROXIMATELY SHOWN.

8. REFER TO SERIES 76155 & 76160 FOR SIGNAL MODULES.

9. CONNECTOR-TO-PCB RETENTION FORCE SHALL WITHSTAND
A VERTICAL AND SIDE LOAD OF 3KGF AND 4KGF MAXIMUM
RESPECTIVELY.

10. FOR APPLICATION USING LESS THAN 2.80MM PCB THICKNESS,
DO NOT PLACE PCBA (ASSEMBLED WITH CONNECTOR) ON A FLAT
SURFACE. THIS IS TO PREVENT EXERTING VERTICAL LOAD
(WEIGHT OF PCBA) ON CONNECTOR OVERHANG.

11. FOR APPLICATION THAT REQUIRES MORE CONNECTOR-TO-PCB
RETENTION FORCE, PLEASE CONTACT MOLEX SALE TECHNICAL
PERSONNEL FOR RECOMMENDATION.



SEE SHEET 2 EC NO: S2014-0872 DRWN: SHONG CHKD: HCGOH APPR: SILENI 2015/01/09 2015/01/09 2015/04/07	DESCRIPTION QUALITY SYMBOLS ▽=0 ◻=0	GENERAL TOLERANCES (UNLESS SPECIFIED)		DIMENSION STYLE MM ONLY		SCALE NTS	DESIGN UNITS METRIC	THIRD ANGLE PROJECTION		
			mm	INCH	DRAWN BY LNG	DATE 2007/11/02	TITLE IMPACT POWER, 4 PAIR RIGHT ANGLE HEADER PRESS-FIT			
		4 PLACES	± ---	± ---	CHECKED BY KWLOKE	DATE 2008/01/11	MOLEX INCORPORATED DOCUMENT NO. SD-78213-003 SHEET NO. 3 OF 3			
		3 PLACES	± ---	± ---	APPROVED BY SHONG	DATE 2008/01/11				
2 PLACES	± 0.25	± ---	ANGULAR ± 3 °		DRAFT WHERE APPLICABLE MUST REMAIN WITHIN DIMENSIONS					
1 PLACE	± ---	± ---	SEE TABLE		THIS DRAWING CONTAINS INFORMATION THAT IS PROPRIETARY TO MOLEX INCORPORATED AND SHOULD NOT BE USED WITHOUT WRITTEN PERMISSION					