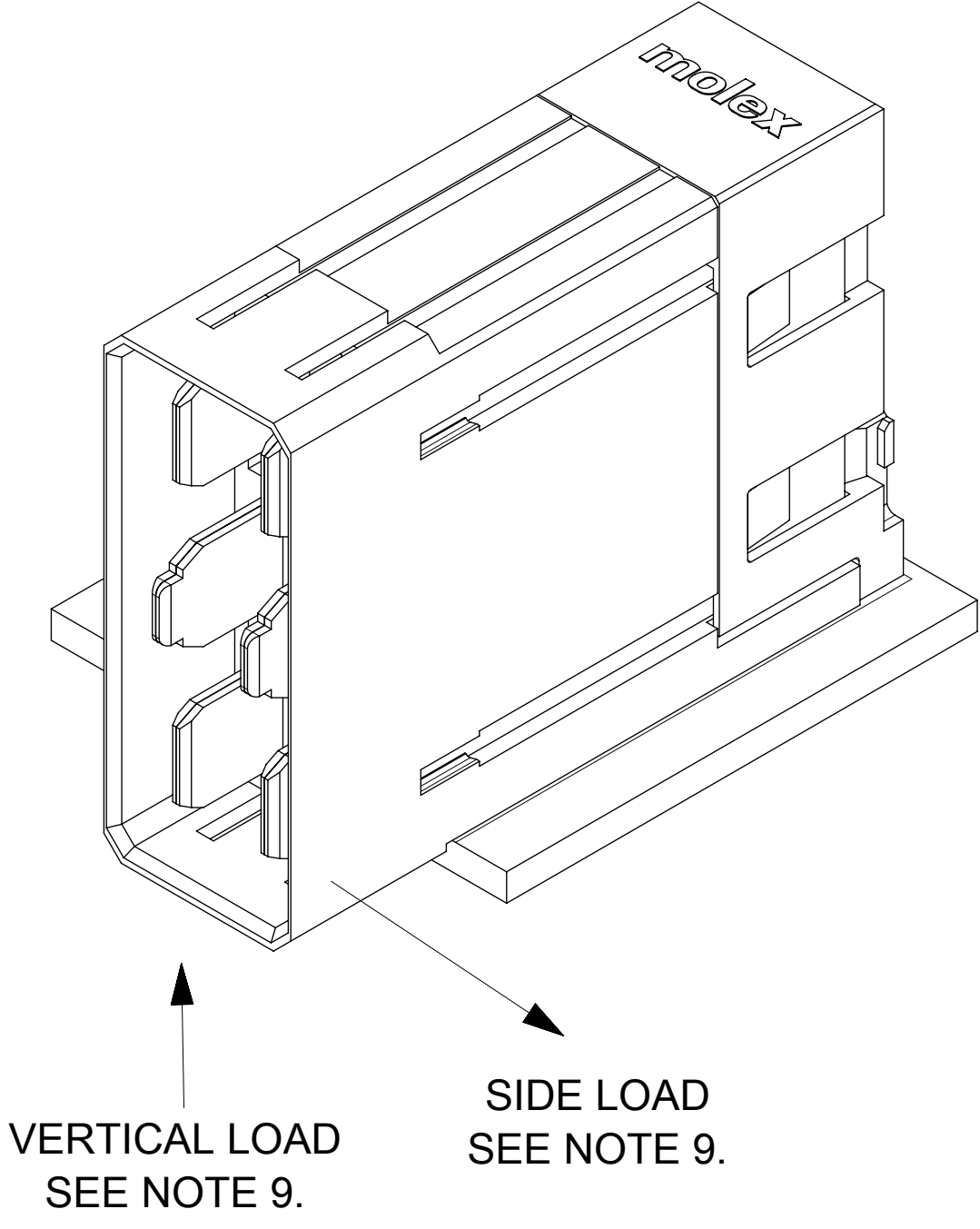
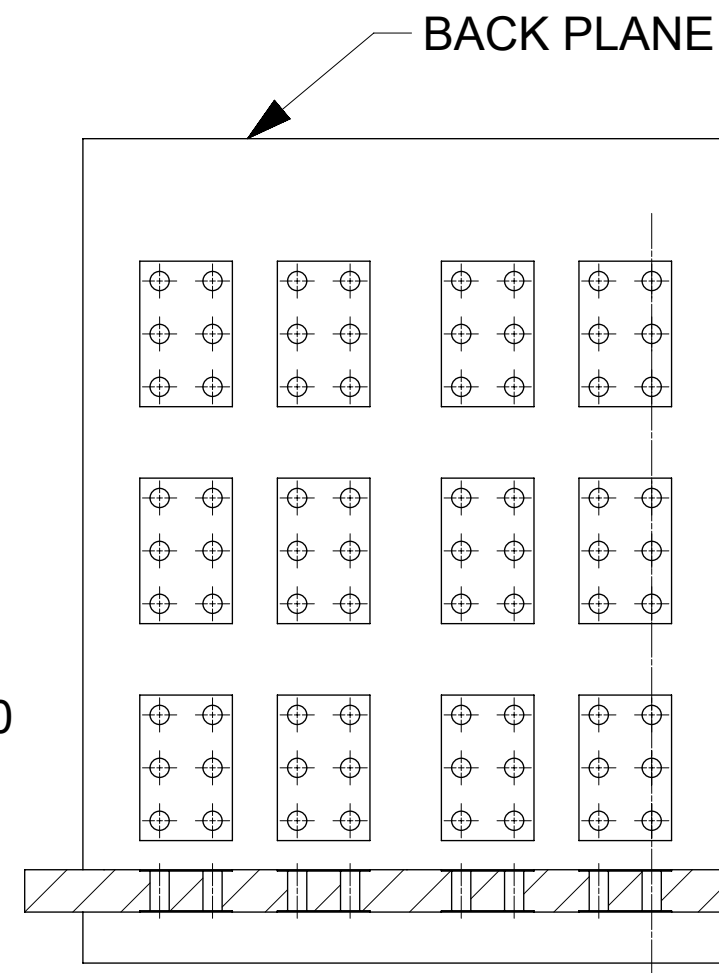
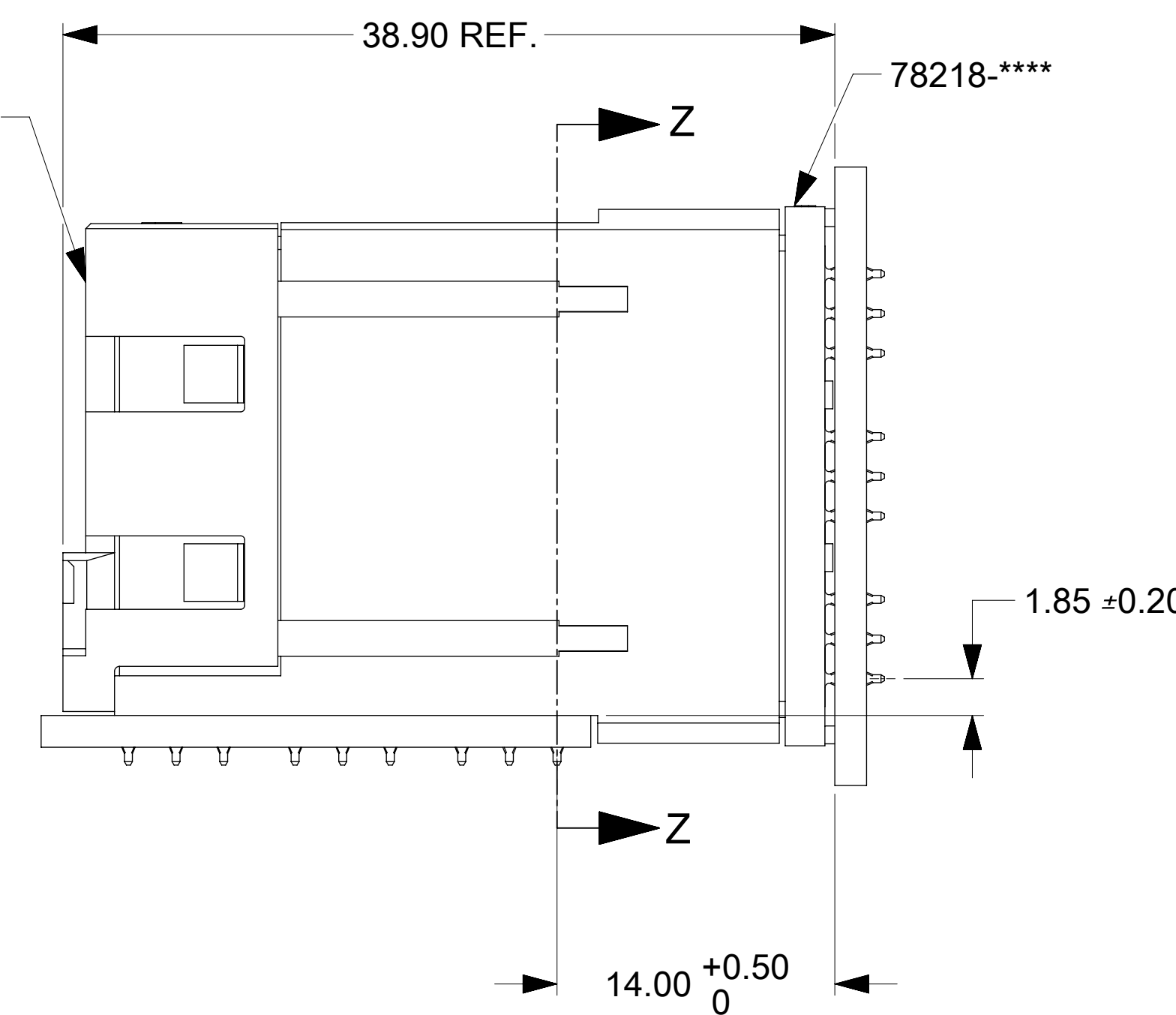
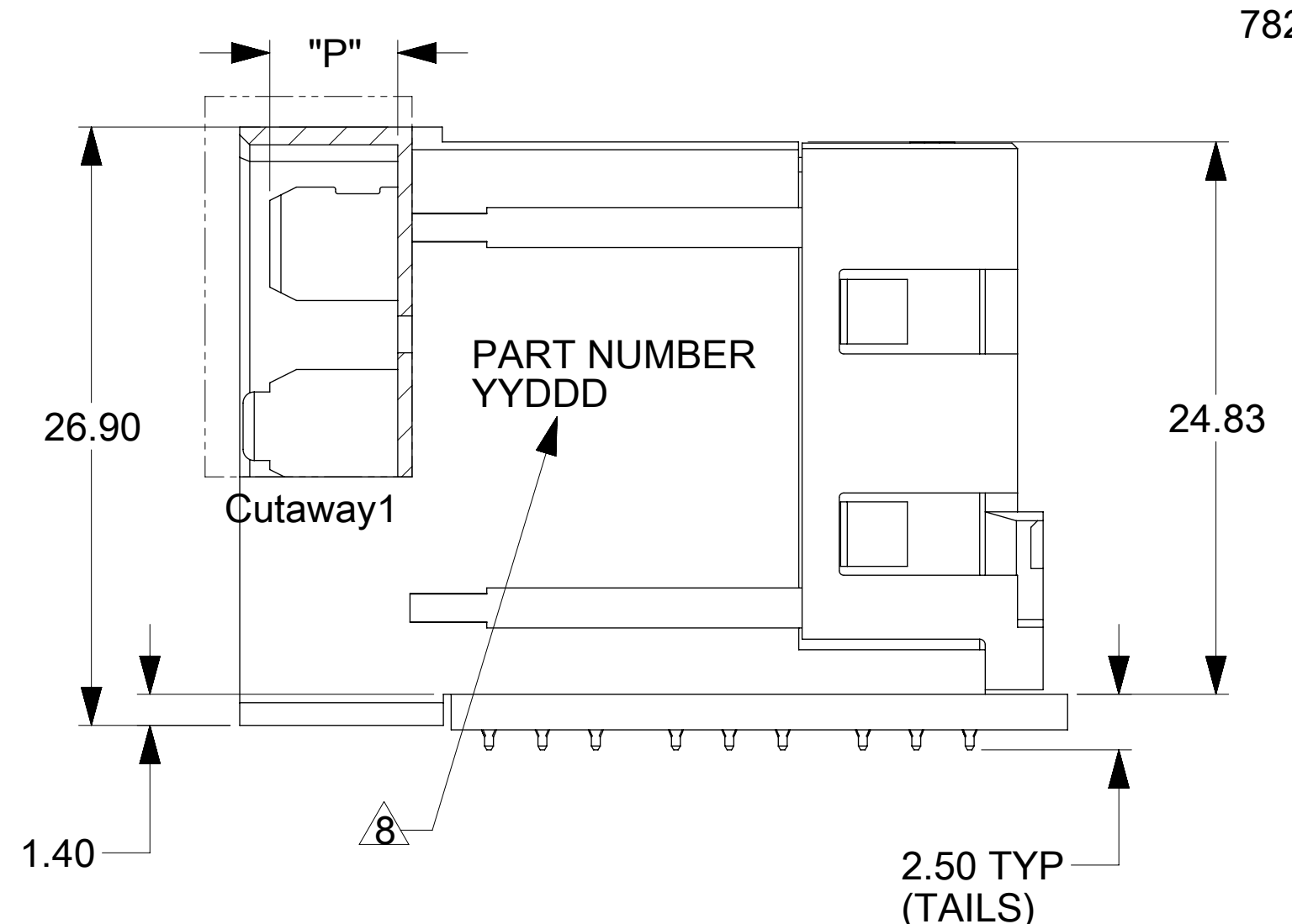
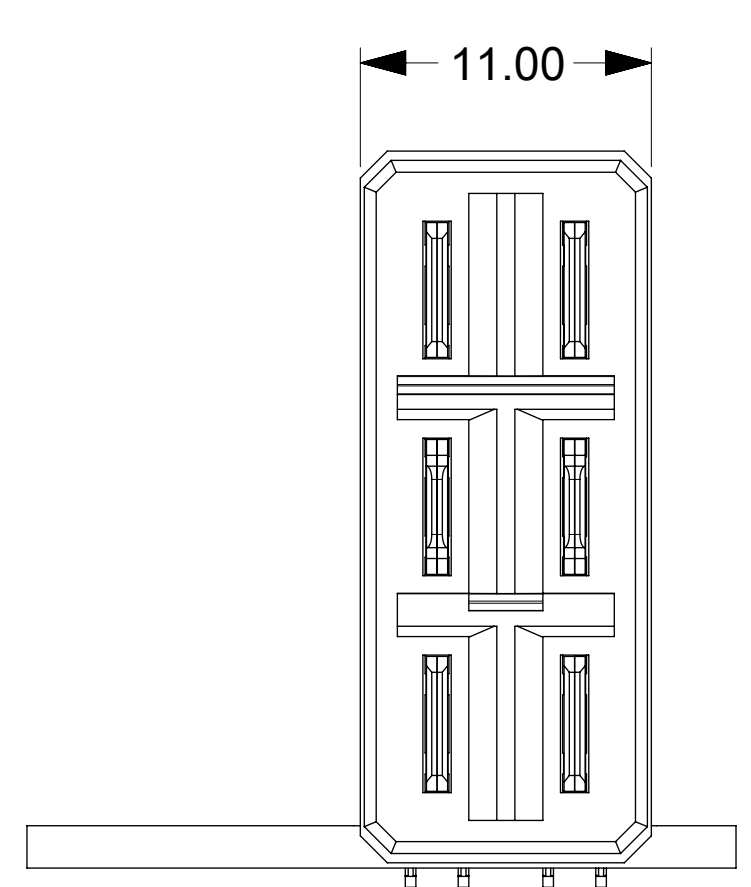
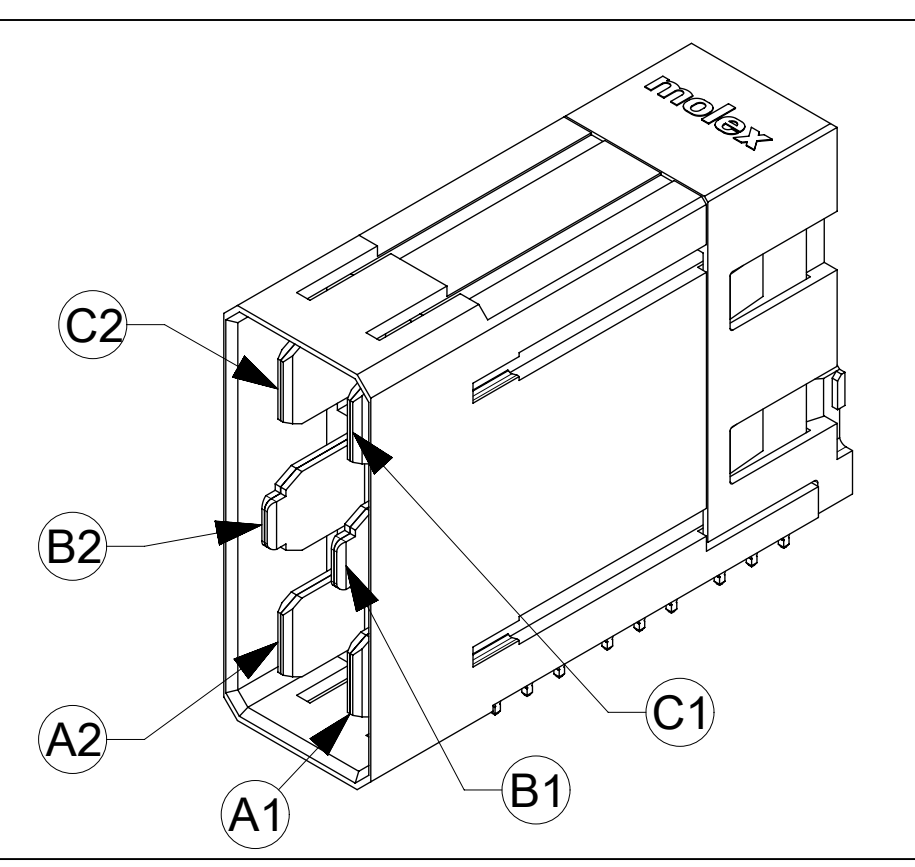


RECOMMENDED PCB LAYOUT  
PCB THICKNESS: 1.58 MIN.

MOLEX PART NUMBER	C1 & C2 (TOP ROW)	B1 & B2 (MIDDLE ROW)	A1 & A2 (BOTTOM ROW)	PLATING OPTIONS	PACKAGING
78217-1011	6.90	6.90	6.90	TIN PLATING	TRAY
78217-1022	5.70	5.70	6.90		
78217-1055	5.70	5.70	5.70		
78217-5011	6.90	6.90	6.90	TIN-LEAD PLATING	TRAY
78217-5022	5.70	5.70	6.90		
78217-5055	5.70	5.70	5.70		
78217-5077	5.70	6.90	6.90		



RECOMMENDED MATING PROFILE  
WHEN MATED TO BACK PLANE 78218 SERIES RECEPTACLE MODULES


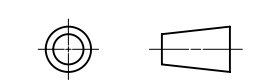
NOTES:

- MATERIAL:  
HOUSING - LCP, GLASS FILLED, UL94-V0, COLOR: BLACK  
POWER PIN - COPPER ALLOY
- FINISH OPTION:  
TIN - 0.76µm MINIMUM GOLD AT CONTACT AND 2.54µm MINIMUM TIN AT SOLDERTAIL AREA OVER 1.27µm MINIMUM NICKEL UNDERPLATE OVERALL.  
TIN-LEAD - 0.76µm MINIMUM GOLD AT CONTACT AND 2.54µm MINIMUM TIN-LEAD AT SOLDERTAIL AREA OVER 1.27µm MINIMUM NICKEL UNDERPLATE OVERALL.
- PRODUCT SPECIFICATION: PS-78213-001.
- PACKAGING SPECIFICATION: PK-78217-001.
- MATES WITH 78218-\*\*\*\*.
- REFER TO MOLEX PRODUCT SPECIFICATION PS-78213-001 FOR PLATED THROUGH-HOLE SPECIFICATIONS.
- PART NUMBER AND DATE CODE (YYDDD) APPROXIMATELY AS SHOWN.
- KEEP OUT ZONE FROM OTHER COMPONENTS.
- CONNECTOR-TO-PCB RETENTION FORCE SHALL WITHSTAND VERTICAL AND SIDE LOAD OF 5.0 KGF AND 3.0 KGF MAXIMUM RESPECTIVELY.  
FOR APPLICATION THAT REQUIRES MORE CONNECTOR-TO-PCB RETENTION FORCE, PLEASE CONTACT MOLEX SALES TECHNICAL PERSONNEL FOR RECOMMENDATION.

THIS DRAWING CONTAINS INFORMATION THAT IS PROPRIETARY TO MOLEX ELECTRONIC TECHNOLOGIES, LLC AND SHOULD NOT BE USED WITHOUT WRITTEN PERMISSION

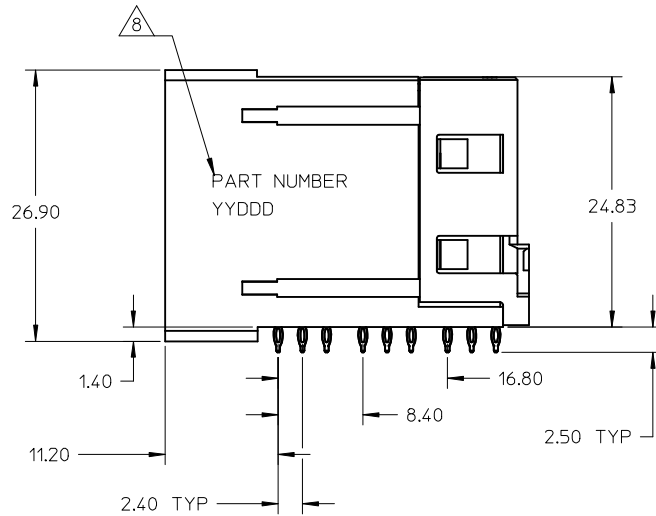
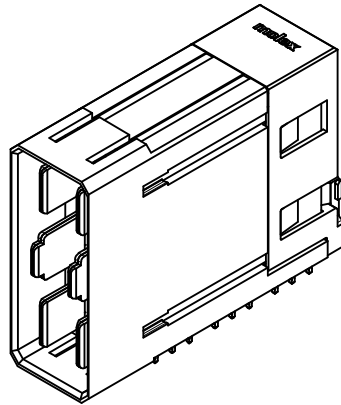
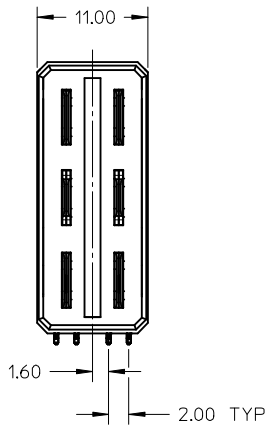
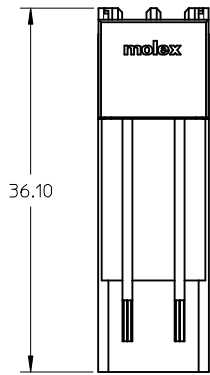
DIMENSION UNITS	SCALE	CURRENT REV DESC: MIGRATED TO NX	
MM	NTS		
GENERAL TOLERANCES (UNLESS SPECIFIED)		EC NO: 611162	
ANGULAR TOL	± 3.0°	DRWN: CCV	2019/01/03
4 PLACES	±	CHK'D: ABN	2019/02/14
3 PLACES	±	APPR: CWANG25	2019/02/27
2 PLACES	± 0.25	INITIAL REVISION:	
1 PLACE	±	DRWN: ANG	2009/06/22
0 PLACES	±	APPR: SHONG	2009/06/23
DRAFT WHERE APPLICABLE MUST REMAIN WITHIN DIMENSIONS		THIRD ANGLE PROJECTION	DRAWING SERIES
		D-SIZE	78217
DOCUMENT STATUS		MATERIAL NUMBER	CUSTOMER
P1	RELEASE DATE 2019/02/27 02:29:34	SEE CHART	GENERAL MARKET
		DOCUMENT NUMBER	DOC TYPE DOC PART REVISION
		SD-78217-0000	PSD 001 A1
		SHEET NUMBER	
		1 OF 2	

MATED SYSTEM WITH 78217

THIS DRAWING CONTAINS INFORMATION THAT IS PROPRIETARY TO MOLEX ELECTRONIC TECHNOLOGIES, LLC AND SHOULD NOT BE USED WITHOUT WRITTEN PERMISSION															
DIMENSION UNITS		SCALE		CURRENT REV DESC: MIGRATED TO NX											
MM		NTS													
GENERAL TOLERANCES (UNLESS SPECIFIED)				EC NO: 611162				IMPACT POWER, 6 PAIR RIGHT ANGLE HEADER PRESS-FIT							
ANGULAR TOL ± 3.0°				DRWN: CCV 2019/01/03											
4 PLACES ±				CHK'D: ABN 2019/02/14				PRODUCT CUSTOMER DRAWING							
3 PLACES ±				APPR: CWANG25 2019/02/27											
2 PLACES ± 0.25				INITIAL REVISION:				DOCUMENT NUMBER <b>SD-78217-0000</b>							
1 PLACE ±				DRWN: ANG 2009/06/22											
0 PLACES ±				APPR: SHONG 2009/06/23				DOC TYPE		DOC PART		REVISION			
DRAFT WHERE APPLICABLE MUST REMAIN WITHIN DIMENSIONS				THIRD ANGLE PROJECTION		DRAWING		SERIES		MATERIAL NUMBER		CUSTOMER		SHEET NUMBER	
						D-SIZE		78217		SEE CHART		GENERAL MARKET		2 OF 2	

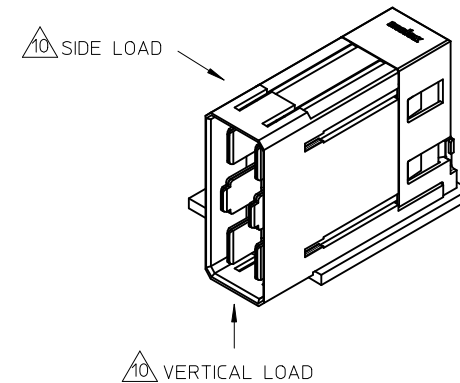
DOCUMENT STATUS	P1	RELEASE DATE	2019/02/27 02:29:34
-----------------	----	--------------	---------------------

10 9 8 7 6 5 4 3 2 1



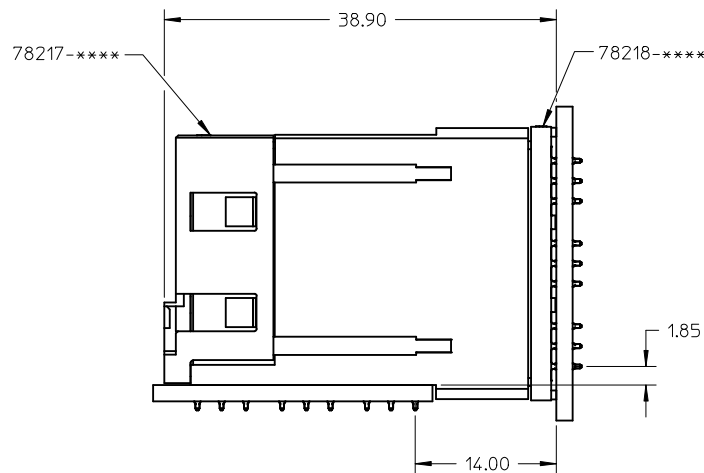
NOTES:

1. MATERIAL:  
HOUSING - LCP, GLASS FILLED, UL94-V0, COLOR: BLACK  
POWER PIN - COPPER ALLOY
2. FINISH OPTION:  
TIN - 0.76µm MINIMUM GOLD AT CONTACT AND  
2.54µm MINIMUM TIN AT SOLDER TAIL AREA OVER  
1.27µm MINIMUM NICKEL UNDERPLATE OVERALL.
3. PRODUCT SPECIFICATION: PS-78213-001.
4. PACKAGING SPECIFICATION: PK-78217-001.
5. MATES WITH 78218-\*\*\*\*.
6. REFER TO SHEET 3 FOR RECOMMENDED PCB LAYOUT.
7. REFER TO MOLEX PRODUCT SPECIFICATION PS-78213-001 FOR PLATED THROUGH-HOLE SPECIFICATIONS.
8. PART NUMBER AND DATE CODE (YYDDD) APPROXIMATELY AS SHOWN.
9. KEEP OUT ZONE FROM OTHER COMPONENTS.
10. CONNECTOR-TO-PCB RETENTION FORCE SHALL WITHSTAND VERTICAL AND SIDE LOAD OF 5.0KGF AND 3.0KGF MAXIMUM RESPECTIVELY. FOR APPLICATION THAT REQUIRES MORE CONNECTOR-TO-PCB RETENTION FORCE, PLEASE CONTACT MOLEX SALES TECHNICAL PERSONNEL FOR RECOMMENDATION.



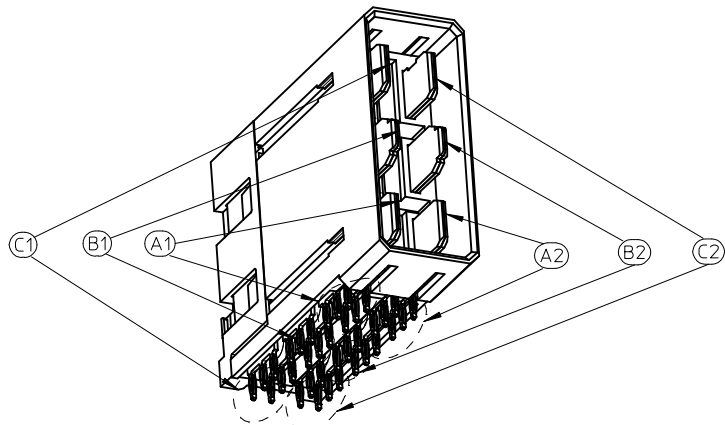
UPDATE PCB EC NO: S2014-0872 DRWN: SHONG CHKD: HICGOH APPR: SILENI 2015/01/16 2015/04/07 2015/04/07	DESCRIPTION B1	QUALITY SYMBOLS	GENERAL TOLERANCES (UNLESS SPECIFIED)	DIMENSION STYLE	SCALE	DESIGN UNITS	THIRD ANGLE PROJECTION
		▼=0 ◻=0	mm INCH 4 PLACES ± --- ± --- 3 PLACES ± --- ± --- 2 PLACES ± 0.25 ± --- 1 PLACE ± --- ± --- ANGULAR ± 3 °	MM ONLY	NTS	METRIC	☉ □ THIRD ANGLE PROJECTION
			DRAWN BY: ANG DATE: 2009/06/22 CHECKED BY: LNG DATE: 2009/06/22 APPROVED BY: SHONG DATE: 2009/06/23	TITLE	IMPACT POWER, 6 PAIR RIGHT ANGLE HEADER PRESS-FIT		
			DRAFT WHERE APPLICABLE MUST REMAIN WITHIN DIMENSIONS	MATERIAL NO. SEE TABLE	DOCUMENT NO. SD-78217-002	MOLEX INCORPORATED	

9 8 7 6 5 4 3 2 1

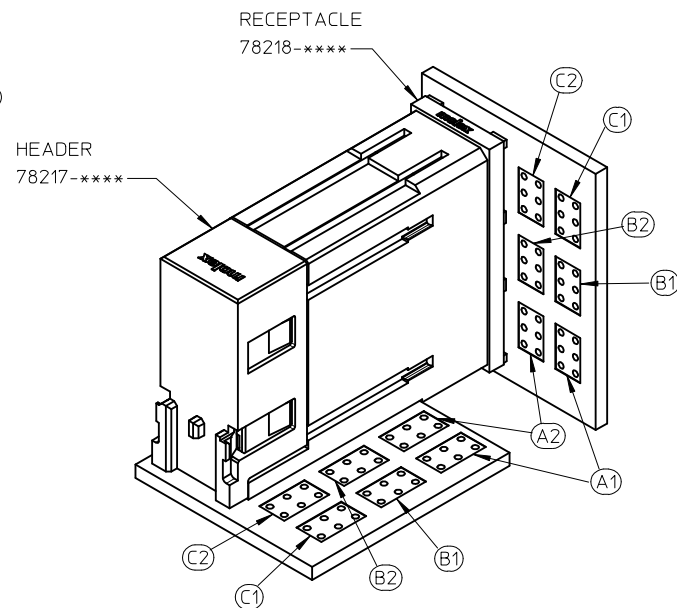


RIGHT ANGLE HEADER (78217) & VERTICAL RECEPTACLE (78218)

MATED SYSTEM WITH 78217



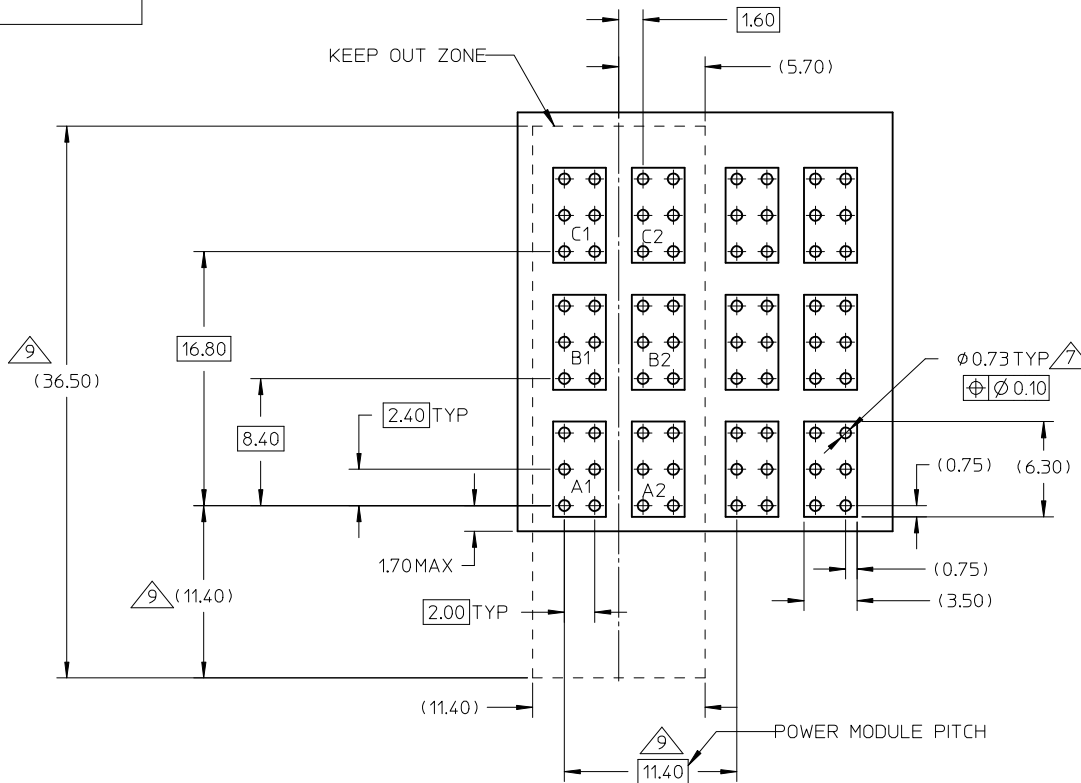
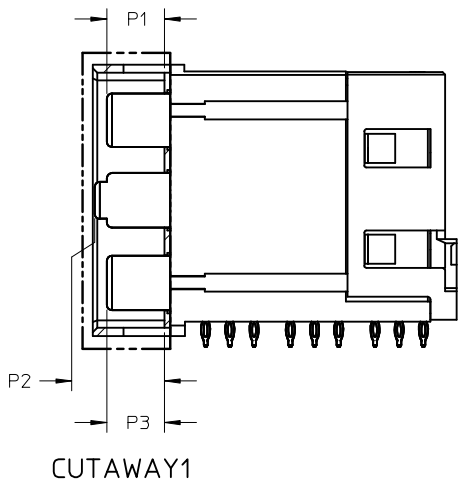
PIN NUMBER ASSIGNMENT BASED ON HEADER SIDE:  
 A1, B1 ON THE LEFT  
 A2, B2 ON THE RIGHT



CIRCUIT PATH OF MATED SYSTEM

UPDATE PCB EC NO: S2014-0872 DRWN: SHONG 2015/01/16 CHKD: HICGOH 2015/04/07 APPR: SHILENI 2015/04/07	QUALITY SYMBOLS ▽=0 ◻=0	GENERAL TOLERANCES (UNLESS SPECIFIED) mm INCH 4 PLACES ± --- ± --- 3 PLACES ± --- ± --- 2 PLACES ± 0.25 ± --- 1 PLACE ± --- ± --- ANGULAR ± 3 °	DIMENSION STYLE MM ONLY DRAWN BY: ANG DATE: 2009/06/22 CHECKED BY: LNG DATE: 2009/06/22 APPROVED BY: SHONG DATE: 2009/06/23	SCALE NTS	DESIGN UNITS METRIC	THIRD ANGLE PROJECTION	TITLE IMPACT POWER, 6 PAIR RIGHT ANGLE HEADER PRESS-FIT MOLEX INCORPORATED SD-78217-002 SHEET NO. 2 OF 3
	DRAFT WHERE APPLICABLE MUST REMAIN WITHIN DIMENSIONS	SEE TABLE	MATERIAL NO.	DOCUMENT NO.			
	SIZE A3	THIS DRAWING CONTAINS INFORMATION THAT IS PROPRIETARY TO MOLEX INCORPORATED AND SHOULD NOT BE USED WITHOUT WRITTEN PERMISSION					
	REV B1	DESCRIPTION	DESCRIPTION	DESCRIPTION			

10	9	8	7	6	5	4	3	2	1
PART NUMBER	P1 (APPLIES TO C1 & C2)	P2 (APPLIES TO B1 & B2)	P3 (APPLIES TO A1 & A2)	PLATING OPTIONS	PACKAGING				
78217-1011	6.90	6.90	6.90	TIN PLATING	TRAY				
78217-1022	5.70	5.70	6.90						
78217-1055	5.70	5.70	5.70						
78217-1077	5.70	6.90	6.90						



RECOMMENDED PCB LAYOUT  
(COMPONENT SIDE SHOWN)  
MINIMUM BOARD THICKNESS: 1.60mm

<b>UPDATE PCB</b> EC NO: S2014-0872 DRWN: SHONG 2015/01/16 CHKD: HICGOH 2015/04/07 APPR: SHLENI 2015/04/07	QUALITY SYMBOLS ▽=0 ◻=0	GENERAL TOLERANCES (UNLESS SPECIFIED) mm INCH 4 PLACES ± --- ± --- 3 PLACES ± --- ± --- 2 PLACES ± 0.25 ± --- 1 PLACE ± --- ± --- ANGULAR ± 3 °	DIMENSION STYLE <b>MM ONLY</b> DRAWN BY: ANG DATE: 2009/06/22 CHECKED BY: LNG DATE: 2009/06/22 APPROVED BY: SHONG DATE: 2009/06/23	SCALE <b>NTS</b> DESIGN UNITS <b>METRIC</b> THIRD ANGLE PROJECTION	TITLE <b>IMPACT POWER, 6 PAIR RIGHT ANGLE HEADER PRESS-FIT</b> <b>MOLEX INCORPORATED</b>
	DRAFT WHERE APPLICABLE MUST REMAIN WITHIN DIMENSIONS	MATERIAL NO. <b>SEE TABLE</b>	DOCUMENT NO. <b>SD-78217-002</b>	SHEET NO. <b>3 OF 3</b>	
	SIZE <b>A3</b>	THIS DRAWING CONTAINS INFORMATION THAT IS PROPRIETARY TO MOLEX INCORPORATED AND SHOULD NOT BE USED WITHOUT WRITTEN PERMISSION			
	REV <b>B1</b>				