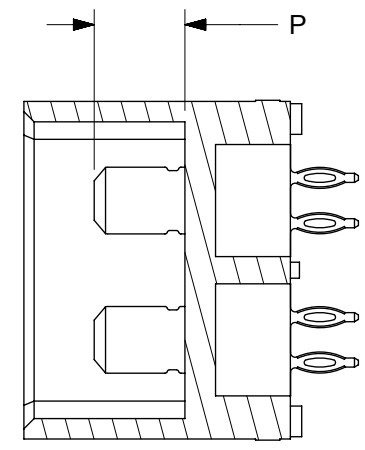
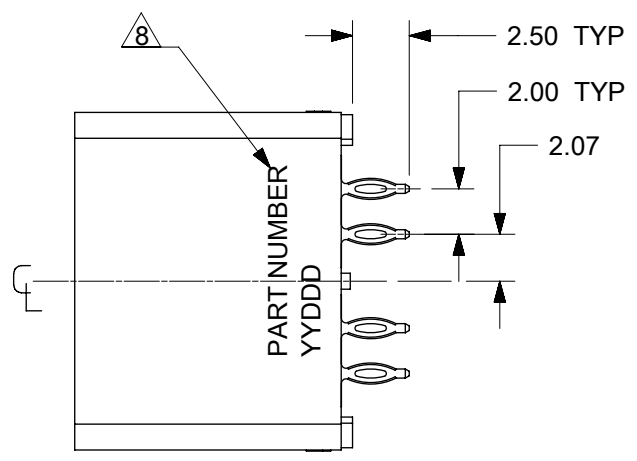
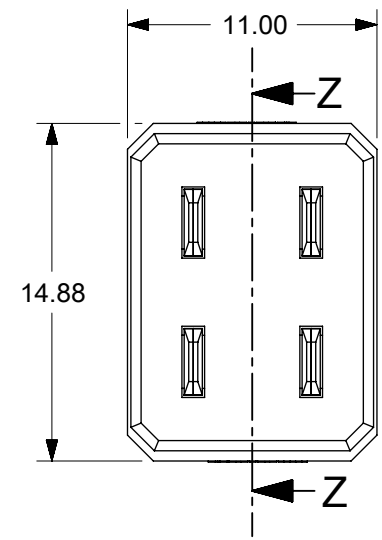
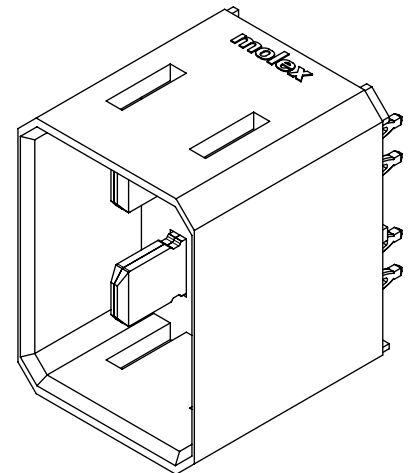
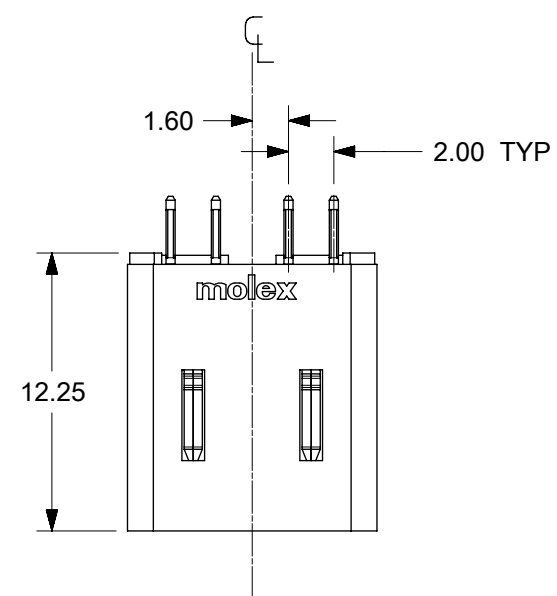


PART NUMBER	P	PLATING OPTIONS	PACKAGING
78399-1011	5.7	TIN PLATING	TRAY
78399-1022	4.0		

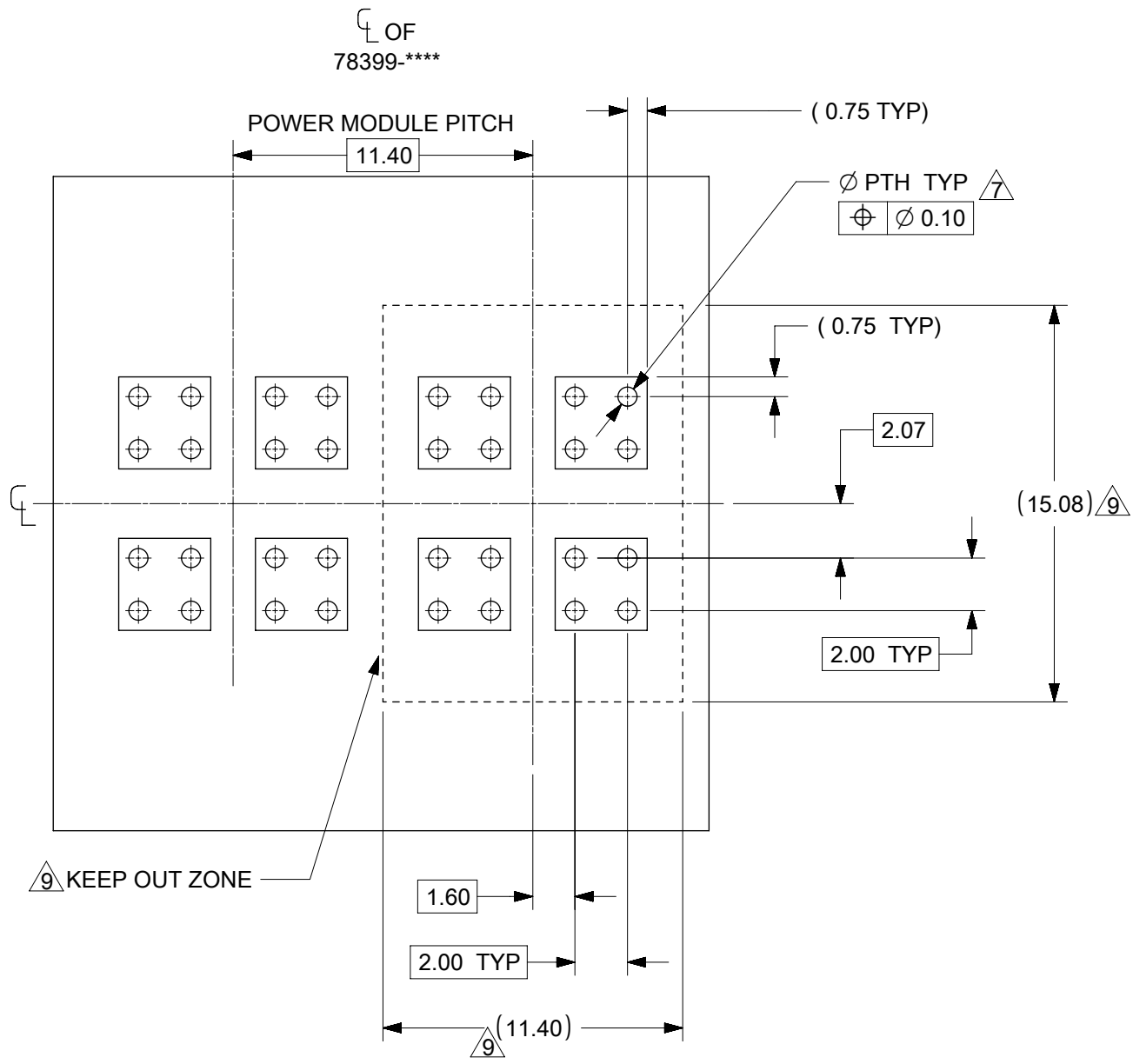
- NOTES:
- MATERIAL:  
HOUSING - LCP, GLASS FILLED, UL94-V0, COLOR: BLACK  
POWER PIN - COPPER ALLOY
  - FINISH OPTION:  
TIN - 0.76µm MINIMUM GOLD AT CONTACT AND  
2.54µm MINIMUM TIN AT SOLDER TAIL AREA OVER  
1.27µm MINIMUM NICKEL UNDERPLATE OVERALL.
  - PRODUCT SPECIFICATION: PS-78213-001.
  - PACKAGING SPECIFICATION: PK-78399-001.
  - MATES WITH 78212-\*\*\*\* & 78247-\*\*\*\*.
  - REFER TO SHEET 2 FOR RECOMMENDED PCB LAYOUT.
  - REFER TO MOLEX PRODUCT SPECIFICATION PS-78213-001 FOR PLATED THROUGH-HOLE SPECIFICATIONS.
  - PART NUMBER AND DATE CODE (YYDDD) APPROXIMATELY SHOWN.
  - KEEP OUT ZONE FROM OTHER COMPONENTS.



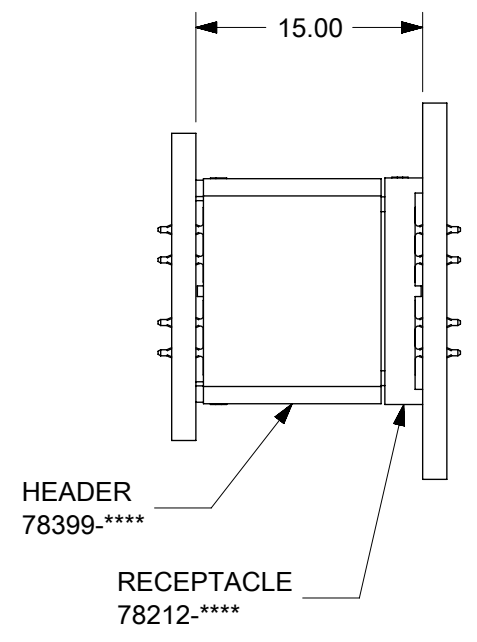
SECTION Z-Z

THIS DRAWING CONTAINS INFORMATION THAT IS PROPRIETARY TO MOLEX ELECTRONIC TECHNOLOGIES, LLC AND SHOULD NOT BE USED WITHOUT WRITTEN PERMISSION									
DIMENSION UNITS		SCALE		CURRENT REV DESC: MIGRATED TO NX					
mm		NTS							
GENERAL TOLERANCES (UNLESS SPECIFIED)									
ANGULAR TOL		± 3.0 °		EC NO: 612055 DRWN: JKUMARSARAFS 2019/01/17 CHK'D: ABN 2019/02/14 APPR: CWANG25 2019/03/05					
4 PLACES		±		INITIAL REVISION: DRWN: LNG 2008/06/12 APPR: SHONG 2008/06/12					
3 PLACES		±							
2 PLACES		± 0.25		DOCUMENT NUMBER		DOC TYPE		DOC PART REVISION	
1 PLACE		±		SD-78399-001		PSD		001 A7	
0 PLACES		±		MATERIAL NUMBER		CUSTOMER		SHEET NUMBER	
DRAFT WHERE APPLICABLE MUST REMAIN WITHIN DIMENSIONS				THIRD ANGLE PROJECTION		DRAWING		SERIES	
						A3-SIZE		78399	
				SEE TABLE		GENERAL MARKET		1 OF 2	

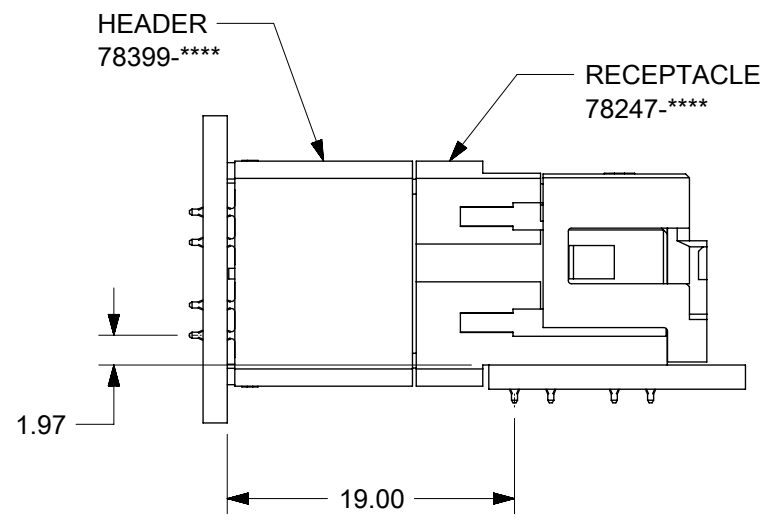
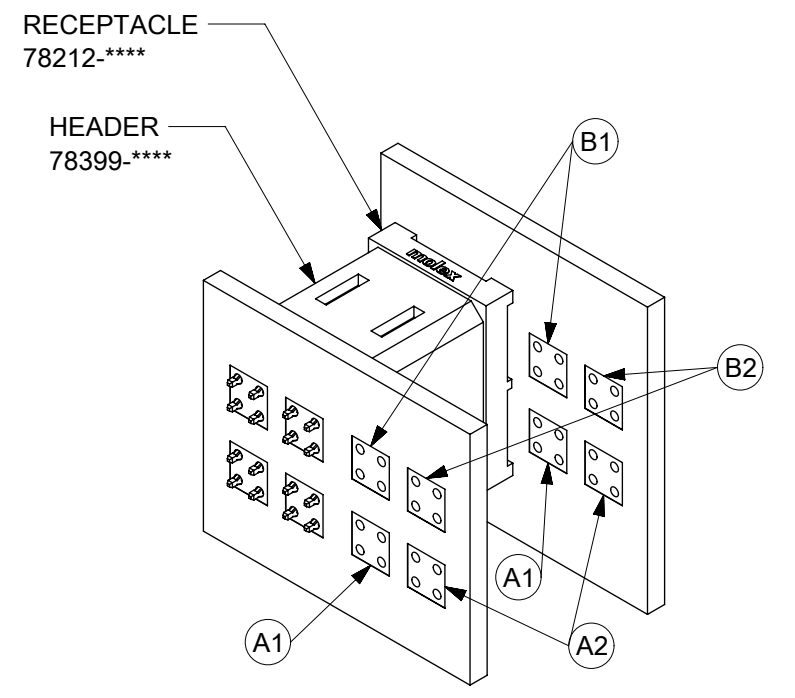
DOCUMENT STATUS	P1	RELEASE DATE	2019/03/05	02:57:20
-----------------	----	--------------	------------	----------



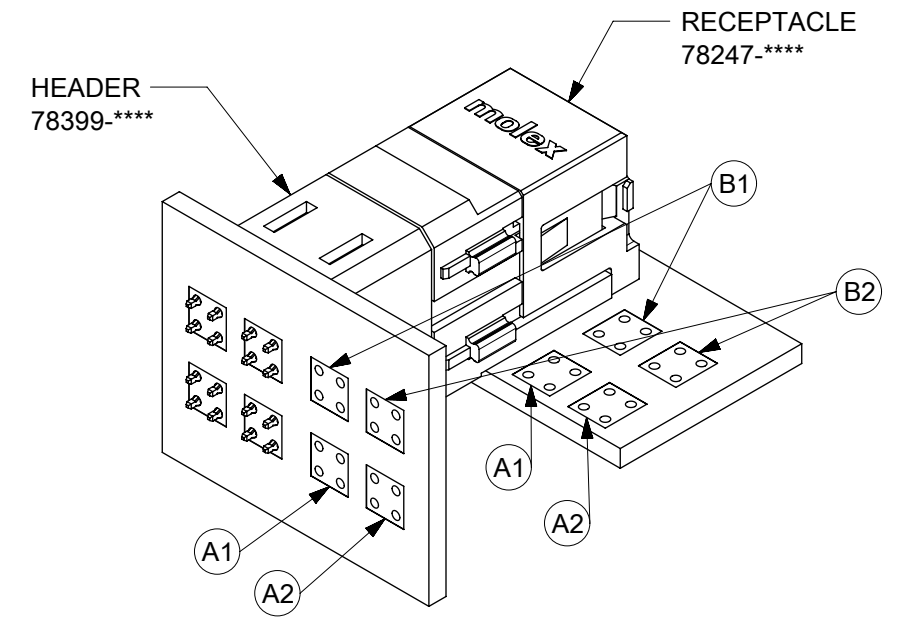
**RECOMMENDED PCB LAYOUT**  
 (COMPONENT SIDE SHOWN)  
 MINIMUM BOARD THICKNESS: 1.60mm



VERTICAL HEADER (78399) & VERTICAL RECEPTACLE (78212)



VERTICAL HEADER (78399) & RIGHT-ANGLE RECEPTACLE (78247)



**MATED SYSTEM OPTIONS WITH 78399**

THIS DRAWING CONTAINS INFORMATION THAT IS PROPRIETARY TO MOLEX ELECTRONIC TECHNOLOGIES, LLC AND SHOULD NOT BE USED WITHOUT WRITTEN PERMISSION		CURRENT REV DESC: MIGRATED TO NX		<b>molex</b>	
DIMENSION UNITS	SCALE				
mm	NTS			IMPACT POWER, 3 PAIR VERTICAL HEADER PRESS-FIT	
GENERAL TOLERANCES (UNLESS SPECIFIED)				PRODUCT CUSTOMER DRAWING	
ANGULAR TOL	± 3.0 °	EC NO:	612055	DOCUMENT NUMBER	
4 PLACES	±	DRWN:	JKUMARSARAFS 2019/01/17	SD-78399-001	DOC TYPE
3 PLACES	±	CHK'D:	ABN 2019/02/14	PSD	DOC PART
2 PLACES	± 0.25	APPR:	CWANG25 2019/03/05	001	REVISION
1 PLACE	±	INITIAL REVISION:		A7	
0 PLACES	±	DRWN:	LNG 2008/06/12	SHEET NUMBER	
DRAFT WHERE APPLICABLE MUST REMAIN WITHIN DIMENSIONS		THIRD ANGLE PROJECTION	DRAWING	SERIES	MATERIAL NUMBER
			A3-SIZE	78399	CUSTOMER
					GENERAL MARKET
					2 OF 2