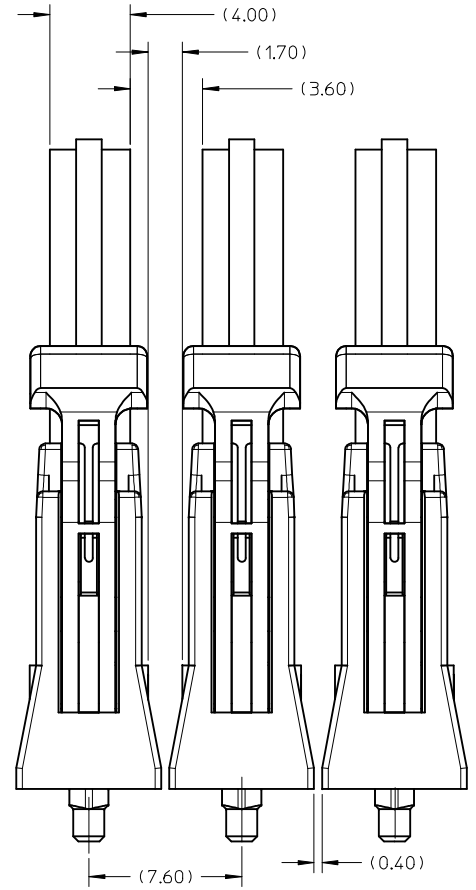
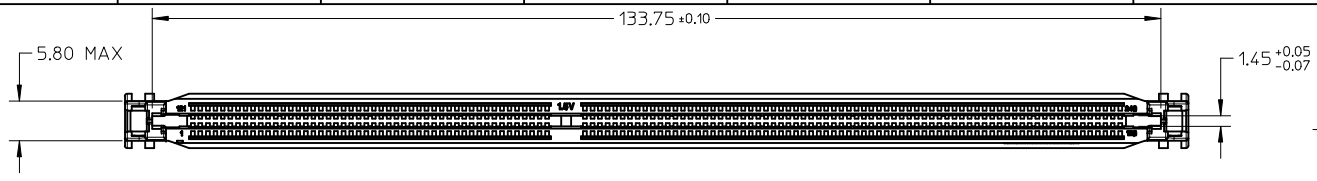


NOTES:

1. MATERIAL:
HOUSING - POLYAMIDE (PA) GLASS FILLED, UL 94V-0, COLOR - SEE TABLE
LATCH - POLYAMIDE (PA) GLASS FILLED, UL 04V-0, COLOR - SEE TABLE
TERMINAL - COPPER ALLOY
 2. FINISHES: TERMINAL PLATING SEE TABLE ON SHEET 5
 3. PRODUCT SPECIFICATION: PS-78556-001
 4. PACKAGING SPECIFICATION: PRODUCT SHALL BE PACKED IN TRAYS
 5. CARD SLOT ACCEPTS 1.27±/-0.10MM MODULE THICKNESS (MEASURED FROM PC PADS)
- 6 MOLEX LOGO, DATE & PART NUMBERS INDICATED ON HOUSING
 7 MODULE SEATING PLANE FROM TOP OF PCB
 8 KEEP OUT ZONE RESERVED FOR LATCH

AMEND PCB DIM EC NO: S2013-0772 DRWN: CCTEH 2012/11/19 CHKD: CGTAN 2013/06/03 APPR: SHLENI 2013/06/03	QUALITY SYMBOLS $F_A=0$ $F_B=0$ $F_C=0$	GENERAL TOLERANCES (UNLESS SPECIFIED)		DIMENSION STYLE MM ONLY		SCALE NTS	DESIGN UNITS METRIC	THIRD ANGLE PROJECTION	
			mm	INCH	DRAWN BY CCTEH	DATE 2011/04/26	TITLE	1MM DDR3 LSP ST. LATCH 240CKTS VERT. PF LLLCR	
		4 PLACES	± ---	± ---	CHECKED BY CGTAN	DATE 2011/06/22		molex DOCUMENT NO. SD-78556-002 SHEET NO. 1 OF 5	
		3 PLACES	± ---	± ---	APPROVED BY SHLENI	DATE 2011/06/29			
	2 PLACES	± 0.20	± ---	MATERIAL NO.		SEE TABLE			
	1 PLACE	± ---	± ---	DRAFT WHERE APPLICABLE MUST REMAIN WITHIN DIMENSIONS		THIS DRAWING CONTAINS INFORMATION THAT IS PROPRIETARY TO MOLEX INCORPORATED AND SHOULD NOT BE USED WITHOUT WRITTEN PERMISSION			
	0 PLACE	±	±	ANGULAR ± 1 °					

10 9 8 7 6 5 4 3 2 1

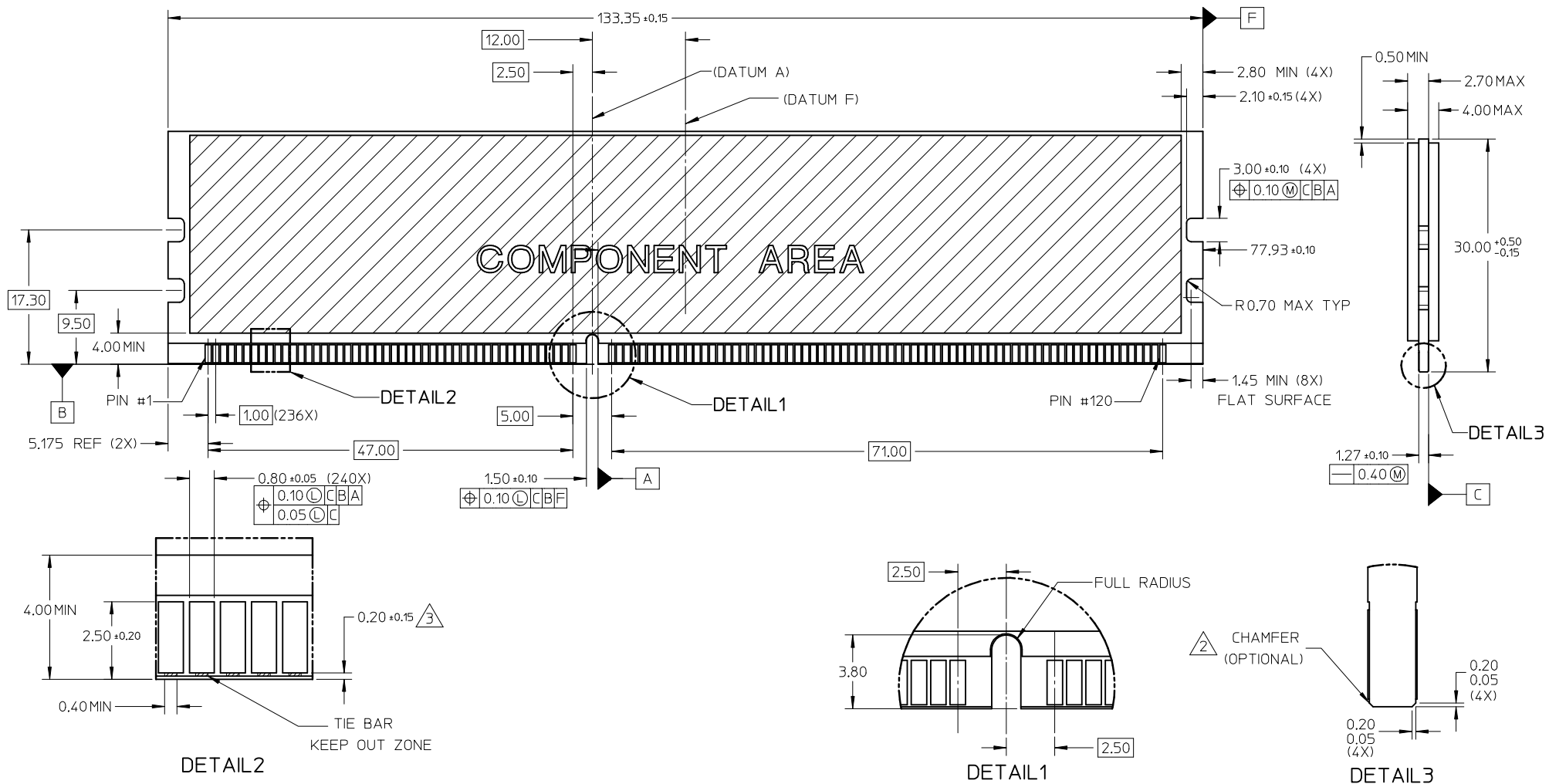


MINIMUM ROW TO ROW SPACING RECOMMENDATION
(USING 4.00MM MODULE CARD)

AMEND PCB DIM EC NO: S2013-0772 DRWN: CCTEH 2012/11/19 CHKD: CGTAN 2013/06/03 APPR: SHLENI 2013/06/03	DESCRIPTION REV	QUALITY SYMBOLS F _A =0 F _G =0 F _P =0	GENERAL TOLERANCES (UNLESS SPECIFIED)		DIMENSION STYLE MM ONLY		SCALE NTS	DESIGN UNITS METRIC	THIRD ANGLE PROJECTION
			mm	INCH	DRAWN BY CCTEH	DATE 2011/04/26	TITLE 1MM DDR3 LSP ST. LATCH 240CKTS VERT. PF LLLCR	molex	SHEET NO. 2 OF 5
2			4 PLACES ± --- ± ---			CHECKED BY CGTAN	DATE 2011/06/22		
			3 PLACES ± --- ± ---			APPROVED BY SHLENI	DATE 2011/06/29		
			2 PLACES ± 0.20 ± ---		SEE TABLE				
			1 PLACE ± --- ± ---		SIZE A3				
			0 PLACE ± ±		MATERIAL NO.				
			ANGULAR ± 1 °		DRAFT WHERE APPLICABLE MUST REMAIN WITHIN DIMENSIONS				

9 8 7 6 5 4 3 2 1

MODULE CARD
 DDR3 DUAL IN-LINE MEMORY MODULE FAMILY 1.00MM CONTACT CENTERS
 (JEDEC MO-269, ISSUE B, MAY 06)

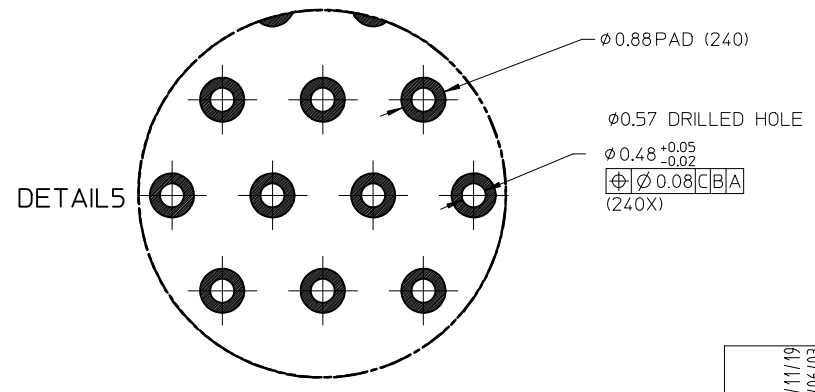
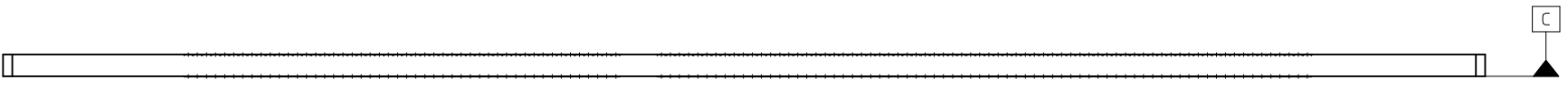
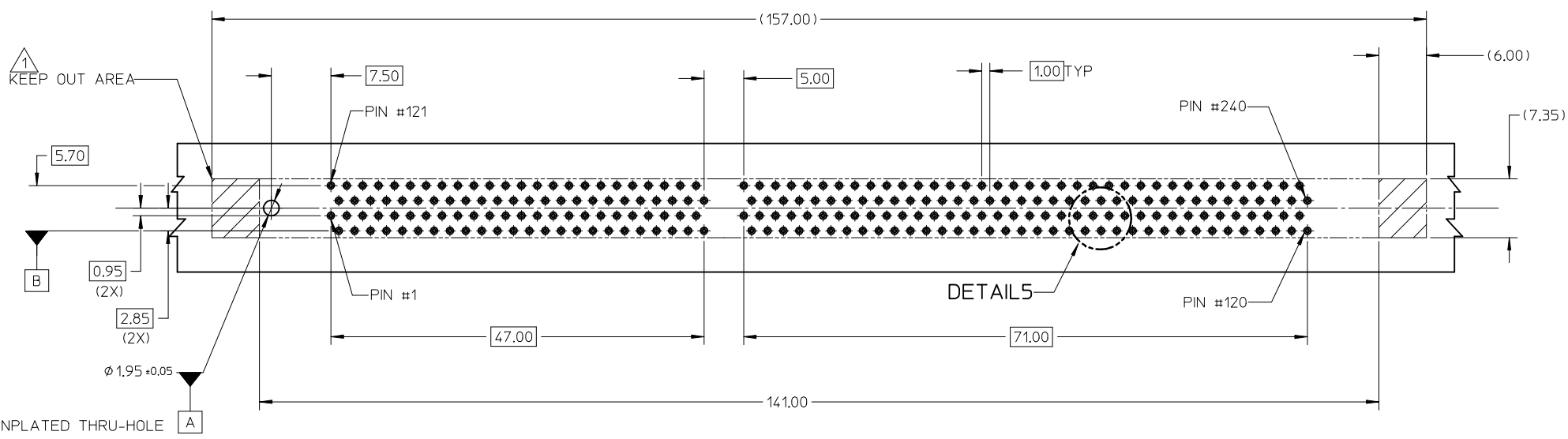


NOTES:

- RECOMMENDED PLATING FOR CONTACT PADS:
 PREFERRED: 0.76 MICROMETERS GOLD PLATING MIN
 OVER 2.00 MICROMETERS NICKEL
 ALTERNATIVE: 0.05-0.75 MICROMETERS GOLD PLATING
 OVER 2.00 MICROMETERS NICKEL MUST USE AN ELECTRONIC
 CONTACT GRADE CORROSIVE BARRIER LUBRICANT
2. CHAMFER IS OPTIONAL AND IS NOT TO HIT THE GOLD PADS
 3. LEADING EDGE OF GOLD PADS SPECIFIED BY KEEPOUT ZONE
 SHALL BE FREE OF BURRS AND EXTERNAL TIE BARS.

AMEND PCB DIM IEC NO: S2013-0772 2012/11/19 DRW:CCTEH 2013/06/03 CHYKD:CGTAN APPR:SHLENI 2013/06/03	QUALITY SYMBOLS $F_A=0$ $F_B=0$ $F_C=0$	GENERAL TOLERANCES (UNLESS SPECIFIED)		DIMENSION STYLE MM ONLY		SCALE NTS	DESIGN UNITS METRIC	THIRD ANGLE PROJECTION		
			mm	INCH	DRAWN BY CCTEH	DATE 2011/04/26	TITLE	1MM DDR3 LSP ST. LATCH 240CKTS VERT. PF LLLCR		
		4 PLACES	± ---	± ---	CHECKED BY CGTAN	DATE 2011/06/22				
		3 PLACES	± ---	± ---	APPROVED BY SHLENI	DATE 2011/06/29				
2 PLACES	± 0.20	± ---	MATERIAL NO.		DOCUMENT NO.	SD-78556-002				
1 PLACE	± ---	± ---	DRAFT WHERE APPLICABLE		SEE TABLE	SHEET NO. 3 OF 5				
0 PLACE	±	±	MUST REMAIN WITHIN DIMENSIONS		SIZE A3	THIS DRAWING CONTAINS INFORMATION THAT IS PROPRIETARY TO MOLEX INCORPORATED AND SHOULD NOT BE USED WITHOUT WRITTEN PERMISSION				

10 9 8 7 6 5 4 3 2 1



NOTES:
 1. KEEP-OUT AREA IS THE AREA WHERE THE CONNECTOR (INCLUDING LATCH) IS MOUNTED ON THE PCB

AMEND PCB DIM	2012/11/19	DRW: CCTEH	2013/06/03
EC NO: S2013-0772	CHKD: CGTAN	APPR: SHLENI	2013/06/03
REV	DESCRIPTION		
2			


QUALITY SYMBOLS	$F_A=0$	$F_G=0$	$F_P=0$																		
GENERAL TOLERANCES (UNLESS SPECIFIED)	<table border="1"> <tr> <td></td> <td>mm</td> <td>INCH</td> </tr> <tr> <td>4 PLACES</td> <td>± ---</td> <td>± ---</td> </tr> <tr> <td>3 PLACES</td> <td>± ---</td> <td>± ---</td> </tr> <tr> <td>2 PLACES</td> <td>± 0.20</td> <td>± ---</td> </tr> <tr> <td>1 PLACE</td> <td>± ---</td> <td>± ---</td> </tr> <tr> <td>0 PLACE</td> <td>±</td> <td>±</td> </tr> </table>				mm	INCH	4 PLACES	± ---	± ---	3 PLACES	± ---	± ---	2 PLACES	± 0.20	± ---	1 PLACE	± ---	± ---	0 PLACE	±	±
	mm	INCH																			
4 PLACES	± ---	± ---																			
3 PLACES	± ---	± ---																			
2 PLACES	± 0.20	± ---																			
1 PLACE	± ---	± ---																			
0 PLACE	±	±																			
	ANGULAR ± 1 °																				
	DRAFT WHERE APPLICABLE MUST REMAIN WITHIN DIMENSIONS																				

DIMENSION STYLE		SCALE	DESIGN UNITS	THIRD ANGLE PROJECTION
MM ONLY		NTS	METRIC	
DRAWN BY	DATE	TITLE		
CCTEH	2011/04/26	1MM DDR3 LSP ST. LATCH		
CHECKED BY	DATE	240CKTS VERT. PF LLLCR		
CGTAN	2011/06/22			
APPROVED BY	DATE			
SHLENI	2011/06/29			
MATERIAL NO.	SEE TABLE	DOCUMENT NO.	SD-78556-002	
SIZE	A3	THIS DRAWING CONTAINS INFORMATION THAT IS PROPRIETARY TO MOLEX INCORPORATED AND SHOULD NOT BE USED WITHOUT WRITTEN PERMISSION		

TITLE		1MM DDR3 LSP ST. LATCH	
		240CKTS VERT. PF LLLCR	
		molex	
		DOCUMENT NO.	SHEET NO.
		SD-78556-002	4 OF 5

9 8 7 6 5 4 3 2 1

PART NO.	KEY POS.	RECOMMENDED PCB THICKNESS	PLATING OPTION		LATCH COLOUR	HOUSING COLOUR
			CONTACT AREA	TAIL AREA		
78556-5001	CENTER (1.5V)	3.00	0.76 MICROMETER/ 30 MICROINCH MIN. GOLD OVER 1.27 MICROMETER/ 50 MICROINCH MIN. NICKEL UNDERPLATE	0.38 TO 1.52 MICROMETER/15 TO 60 MICROINCH MIN TIN (MATT) OVER 1.27 MICROMETER/ 50 MICROINCH MIN. NICKEL UNDERPLATE	BLACK	BLACK
78556-5051					BLUE	BLUE
78556-5061					NATURAL	NATURAL

AMEND PCB DIM EC NO: S2013-0772 DRWN: CTEH 2012/11/19 CHKD: CGTAN 2013/06/03 APPR: SHLENI 2013/06/03	QUALITY SYMBOLS $F_A=0$ $F_G=0$ $F_P=0$	GENERAL TOLERANCES (UNLESS SPECIFIED)		DIMENSION STYLE MM ONLY	SCALE NTS	DESIGN UNITS METRIC	THIRD ANGLE PROJECTION	
			mm	INCH	DRAWN BY CTEH	DATE 2011/04/26	TITLE 1MM DDR3 LSP ST. LATCH 240CKTS VERT. PF LLLCR	
		4 PLACES	± ---	± ---	CHECKED BY CGTAN	DATE 2011/06/22		
		3 PLACES	± ---	± ---	APPROVED BY SHLENI	DATE 2011/06/29		
2 PLACES	± 0.20	± ---	MATERIAL NO.		DOCUMENT NO.	SHEET NO.		
1 PLACE	± ---	± ---	SEE TABLE		SD-78556-002	5 OF 5		
0 PLACE	±	±	DRAFT WHERE APPLICABLE MUST REMAIN WITHIN DIMENSIONS		THIS DRAWING CONTAINS INFORMATION THAT IS PROPRIETARY TO MOLEX INCORPORATED AND SHOULD NOT BE USED WITHOUT WRITTEN PERMISSION			