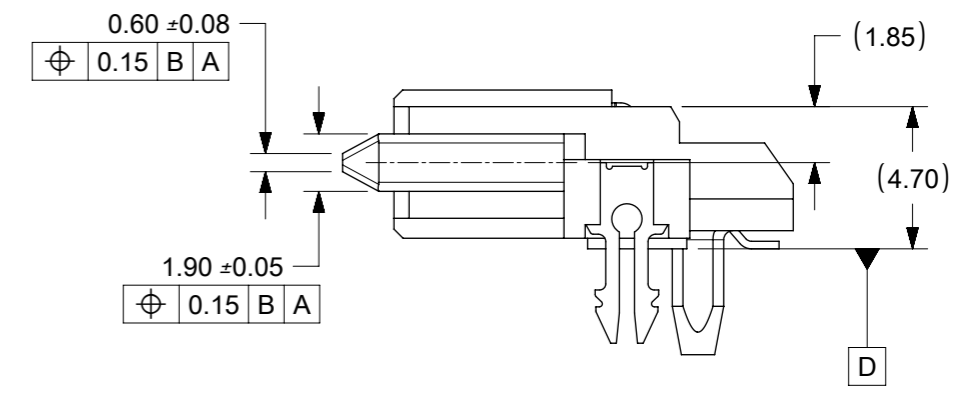


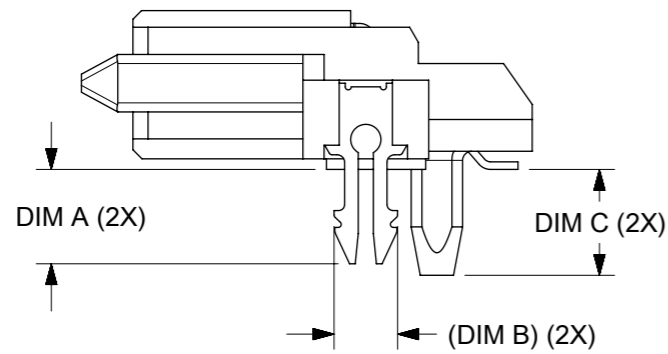
- NOTES:
- MATERIAL
HOUSING: LCP, GLASS FILLED, UL 94V-0, BLACK
TERMINAL: COPPER ALLOY
FORK LOCK/BLADE: COPPER ALLOY
 - PLATING:
TERMINAL:
CONTACT: 0.76µm MIN. SELECTIVE GOLD OVER 1.27µm MIN. NICKEL UNDERPLATE
SOLDERTAIL: 2.54µm MIN. TIN OVER 1.27µm MIN. NICKEL UNDERPLATE
FORK LOCK/BLADE: 2.54µm MIN. TIN OVER 1.27µm MIN. NICKEL UNDERPLATE
 - PRODUCT SPECIFICATION PS-78798-001
 - PACKAGING SPECIFICATION : PK-78798-001
 - MOLEX LOGO, SERIES NUMBER, CAVITY ID AND DATE CODE LOCATED APPROXIMATELY AS SHOWN
 - NON FUNCTIONAL CORE HOLE MAY VARY
 - THIS PRODUCT IS COMPLIANT TO RoHS DIRECTIVE WITH THE FOLLOWING BANNED SUBSTANCES - LEAD, MERCURY, CADMIUM, HEXAVALENT CHROMIUM, POLYBROMINATED BIPHENYLS AND POLYBROMINATED DIPHENYL ETHERS
 - REFER TO AS-78798-001 FOR PCB ROUTING RECOMMENDATIONS



SYMBOLS	THIS DRAWING CONTAINS INFORMATION THAT IS PROPRIETARY TO MOLEX ELECTRONIC TECHNOLOGIES, LLC AND SHOULD NOT BE USED WITHOUT WRITTEN PERMISSION		CURRENT REV DESC: ADD PN787981002		molex		
	DIMENSION UNITS	SCALE					
▽ = 0	mm	NTS			SAS/PCIE		
▽ = 0	GENERAL TOLERANCES (UNLESS SPECIFIED)				RECEPTACLE, RIGHT-ANGLE SMT, 2.85MM HEIGHT		
▽ = 0	ANGULAR TOL ± 3.0°				PRODUCT CUSTOMER DRAWING		
▽ = 0	4 PLACES ±		EC NO: 617713	2019/02/19	DOCUMENT NUMBER	DOC TYPE	DOC PART
▽ = 0	3 PLACES ±		DRWN: CWANG25	2019/06/20	SD-78798-001	PSD	001
▽ = 0	2 PLACES ±	0.2	CHK'D: SHONG	2019/06/20			
▽ = 0	1 PLACE ±		APPR: SHONG	2019/06/20	REVISION	B1	
▽ = 0	0 PLACES ±		INITIAL REVISION:		MATERIAL NUMBER	CUSTOMER	SHEET NUMBER
▽ = 0	DRAFT WHERE APPLICABLE MUST REMAIN WITHIN DIMENSIONS		DRWN: GMENARLY	2013/01/28	SEE TABLE	IBM	1 OF 4
▽ = 0	THIRD ANGLE PROJECTION		APPR: BOKOK	2013/03/15			
▽ = 0	DRAWING		SERIES	78798			
▽ = 0	A3-SIZE						

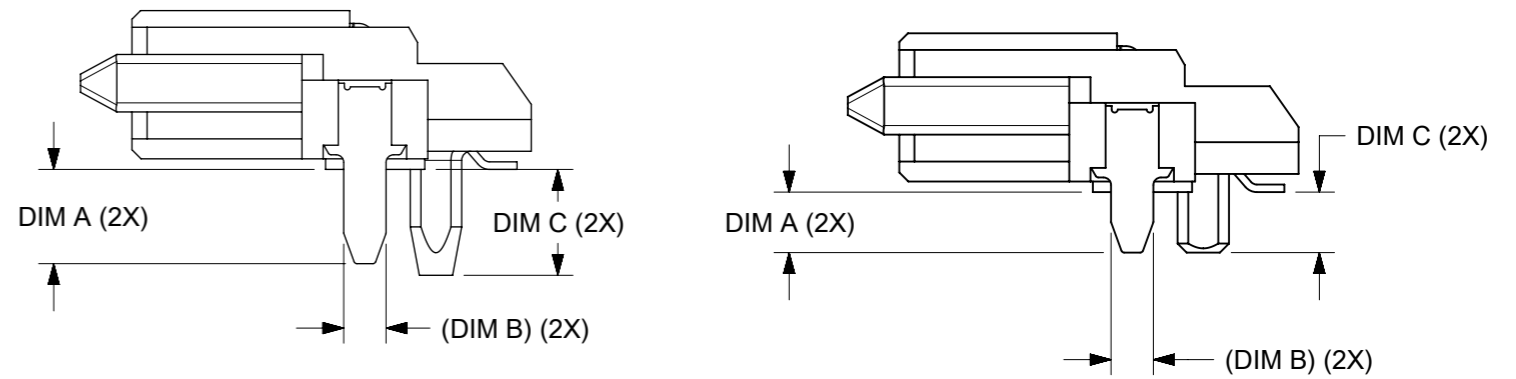
PART NO	HOLD DOWN	CAP	DIM A	DIM B	DIM C
78798-0001	FORKLOCK	YES	3.12	2.10	3.50
78798-0002	MOUNT BLADE	YES	3.12	1.40	3.50
78798-1002		YES	2.00	1.40	2.00

FORKLOCK OPTION



P/N: 787980001

BLADE OPTION



P/N: 787980002

P/N: 787981002

SYMBOLS DIMENSION UNITS: mm SCALE: NTS GENERAL TOLERANCES (UNLESS SPECIFIED): ANGULAR TOL ± 3.0° 4 PLACES ± 3 PLACES ± 2 PLACES ± 0.2 1 PLACE ± 0 PLACES ± DRAFT WHERE APPLICABLE MUST REMAIN WITHIN DIMENSIONS THIRD ANGLE PROJECTION DRAWING: A3-SIZE SERIES: 78798	THIS DRAWING CONTAINS INFORMATION THAT IS PROPRIETARY TO MOLEX ELECTRONIC TECHNOLOGIES, LLC AND SHOULD NOT BE USED WITHOUT WRITTEN PERMISSION CURRENT REV DESC: ADD PN787981002				
	EC NO: 617713 DRWN: CWANG25 2019/02/19 CHK'D: SHONG 2019/06/20 APPR: SHONG 2019/06/20				
	INITIAL REVISION: DRWN: GMENARLY 2013/01/28 APPR: BOKOK 2013/03/15		PRODUCT CUSTOMER DRAWING		
	MATERIAL NUMBER: SEE TABLE CUSTOMER: IBM		DOCUMENT NUMBER: SD-78798-001 DOC TYPE: PSD DOC PART: 001 REVISION: B1 SHEET NUMBER: 3 OF 4		

