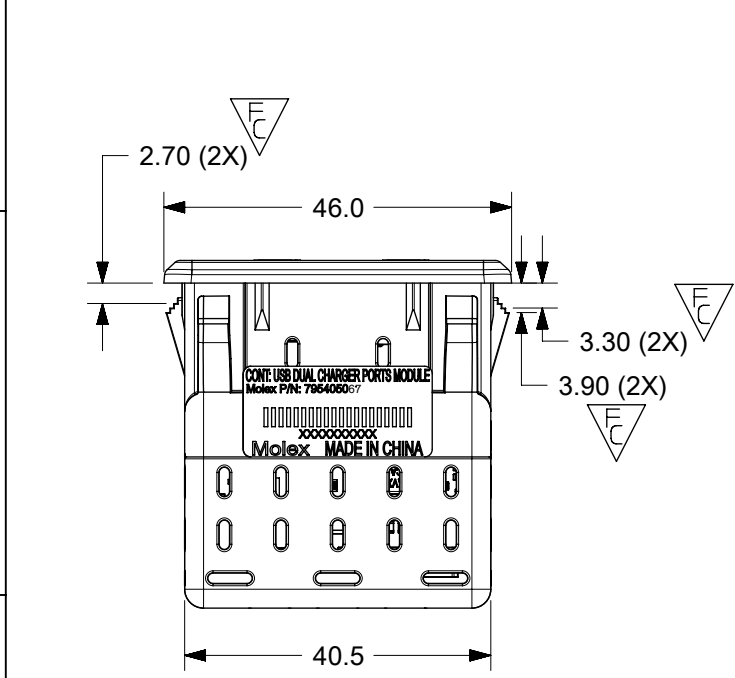
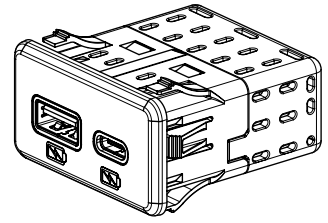
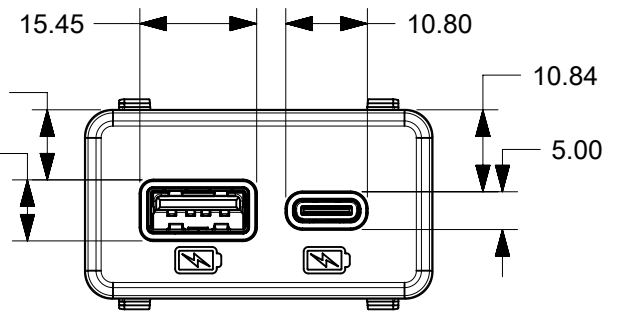
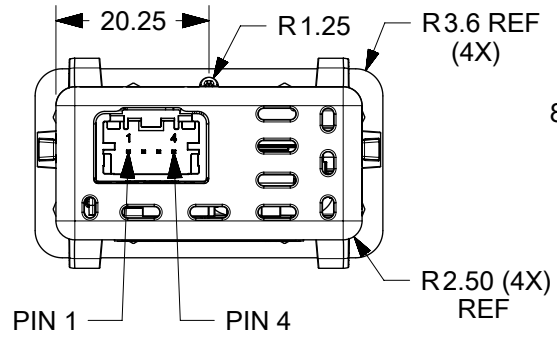
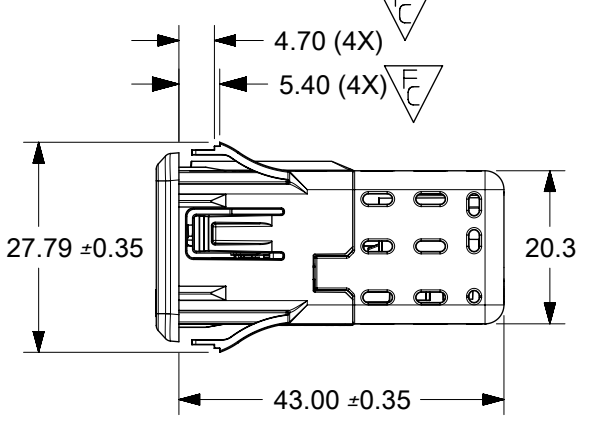
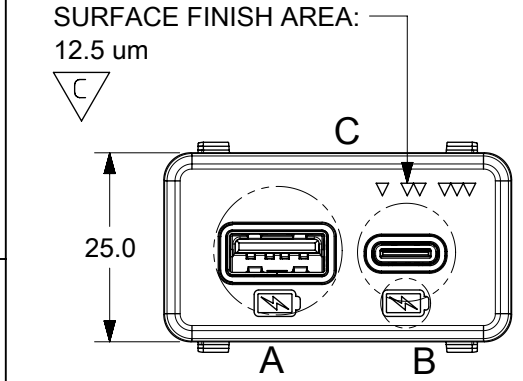
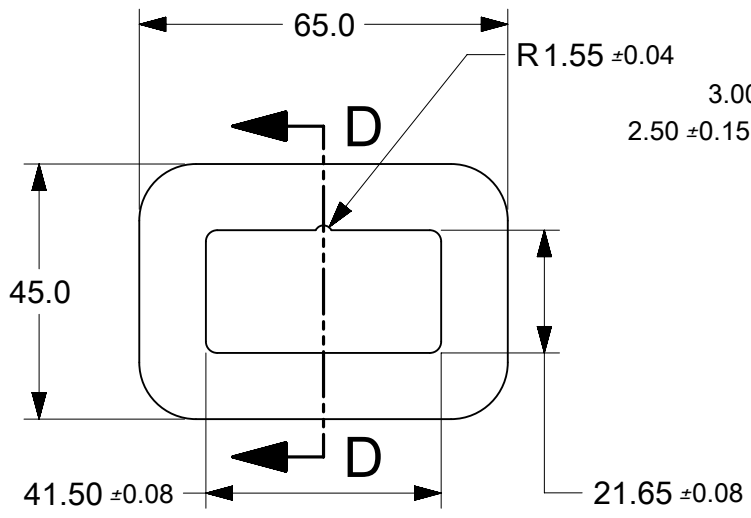


Molex Part Number	Description	Light Color
795405067	PG05 Black, Side by Side A+C	White

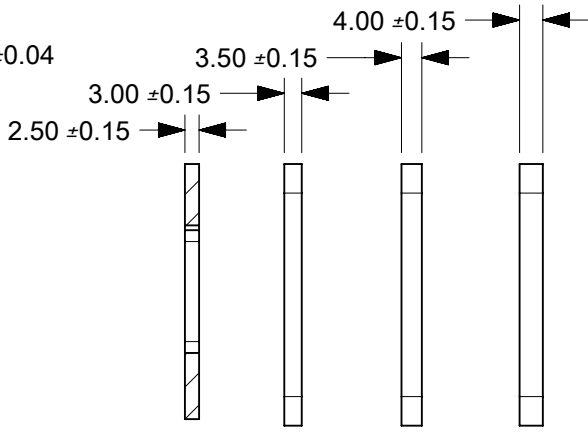
DATE	REV	DESCRIPTION
2018/04/16	A	INITIAL RELEASE
2018/04/20	A1	REMOVE REDDISH LIGHT LINE
2018/04/30	A2	PACKAGING DRAWING WAS UPDATED TO MODEL
2019/03/12	A3	INTERNAL CHANGE TO VIEW DRAWING IN MIDAS
2019/05/16	A4	CHANGE DRAWING TO CUSTOMER GENERAL IN SAP



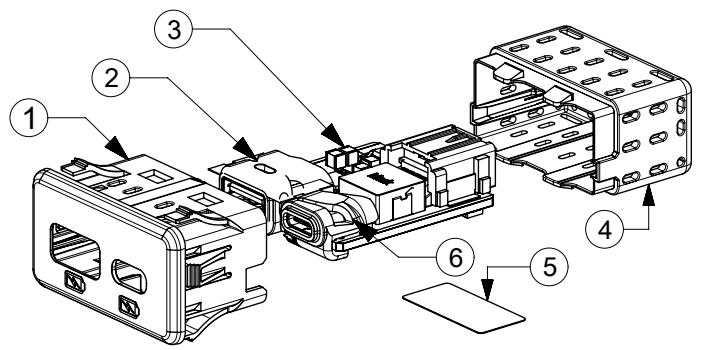
PANEL CUTOUT REQUIRED



PANEL THICKNESS (NO FLOCKING)

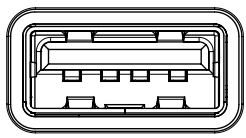


SECTION D-D

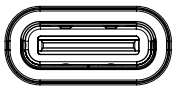


EXPLODED VIEW

DETAIL B
BATTERY CHARGER (LOGO)



DETAIL A
USB-A
HALO LIGHTING



DETAIL C
USB-C
HALO LIGHTING

NOTE (S):

- MATERIAL (S).
FRONT HOUSING: PC+ABS, CYCOLOY LG9000, PG05 BLACK.
SURFACE FINISH (FACEPLATE): 12.5 um.
PAD PRINTING: 2 BATTERY LOGOS, SPEC IS: WHITE
LIGHT PIPES (LIGHT SPREADERS): SC-28876 RTP 0300 2405 LT DIFF.
REAR HOUSING: PC+ABS, CYCOLOY LG9000, PG05 BLACK.
PRINTING CIRCUIT BOARD: FR4, THICKNESS 1.6mm
INPUT POWER CONN. : MINI50 , 4 PINS. (P/N: 34912-8040)
OUTPUT POWER CONN. : USB PORT TYPE A AND TYPE C
- COLOR FOR ILLUMINATED USB HALOS IS WHITE
CANDLES PER ILLUMINATED USB WHITE HALO: ORDINARY SWITCH 2cd/m2
- INSERTION FORCE: MAX 49N.
- REMOVAL FORCE: MIN 68.6N.
- PACKAGING ACCORDING TO: PK-79540-5040.
- PRODUCT LABEL ACCORDING WITH LS-79540-5040.
- ASSEMBLY ACCORDING TO IPC-A-610 CLASS 2.
- USB CHARGER CAPABILITIES: 3A PER PORT. CURRENT LIMITED TO 2.9A MAX.
- DATE CODE STAMP APPEARS ON LABEL.

PIN OUTS		
PIN	FUNCTION	CURRENT
1	Bat +	3,800 mA
2	NC	-
3	NC	-
4	Bat -	3,800 mA

BILL OF MATERIAL (795405067)			
Item	Part Number	Description	Qt'y
1	172070110	Front Housing	1
2	172070120	Light Pipe Type A	1
3	685324561	PCBA Subassembly LED White	1
4	172045210	Rear Housing	1
5	TBD	Label, 25X12mm, Blue	1
6	172070130	Light Pipe Type C	1

DOCUMENT STATUS	P1	RELEASE DATE	2019/05/17	18:26:26
-----------------	----	--------------	------------	----------

SYMBOLS	THIS DRAWING CONTAINS INFORMATION THAT IS PROPRIETARY TO MOLEX ELECTRONIC TECHNOLOGIES, LLC AND SHOULD NOT BE USED WITHOUT WRITTEN PERMISSION		CURRENT REV DESC:		molex
	DIMENSION UNITS	SCALE			
▽ = 0	mm	1:1			SIDE BY SIDE A+C SPO (USB PORT - TYPE A + C)
▽ = 5	GENERAL TOLERANCES (UNLESS SPECIFIED)				
▽ = 0	ANGULAR TOL ± °				PRODUCT CUSTOMER DRAWING
▽ = 0	4 PLACES	±			
▽ = 0	3 PLACES	± 0.05			DOCUMENT NUMBER
▽ = 1	2 PLACES	± 0.13			
▽ = 0	1 PLACE	± 0.25			795405067
▽ = 0	0 PLACES	±			
■ = 0	DRAFT WHERE APPLICABLE MUST REMAIN WITHIN DIMENSIONS		THIRD ANGLE PROJECTION	DRAWING	REVISION
▽ = 0			B-SIZE	79540	A4
			MATERIAL NUMBER	CUSTOMER	SHEET NUMBER
			795405067	STD PRODUCT	1 OF 1