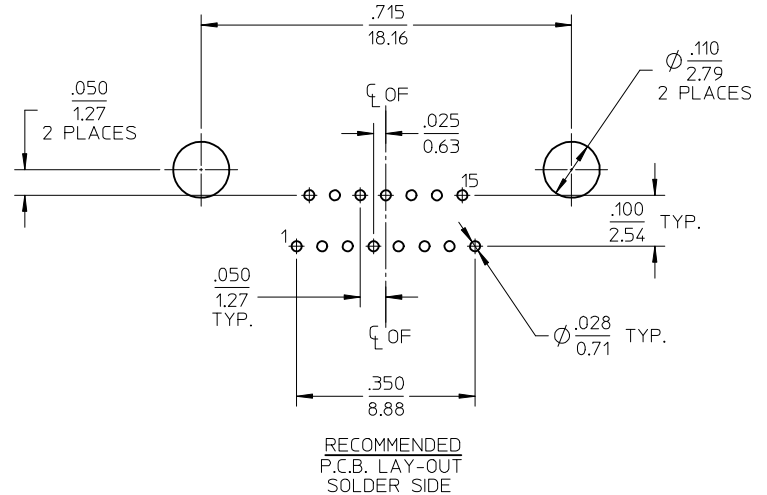
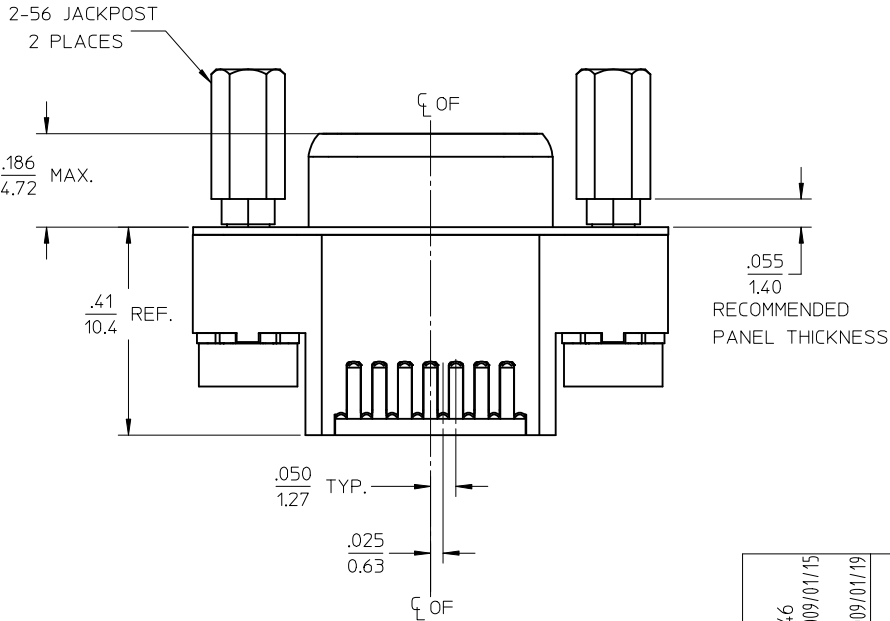
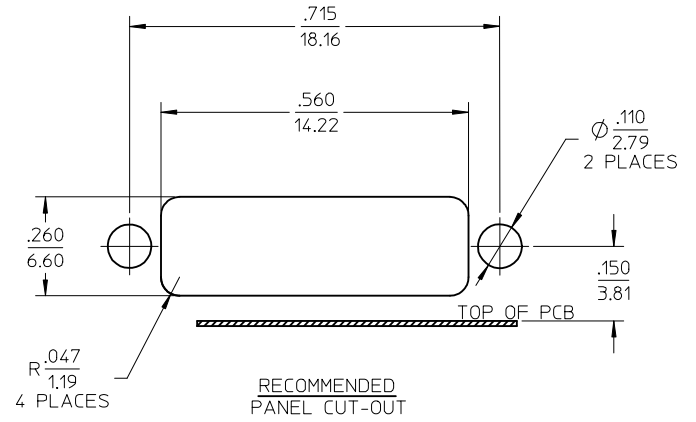
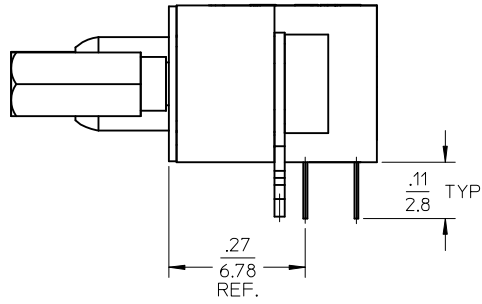
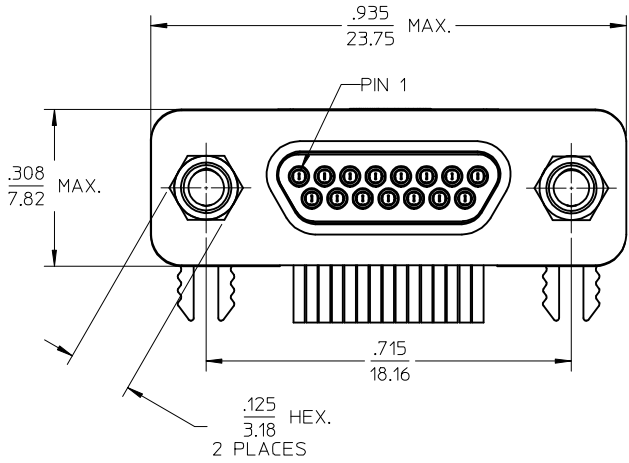


MATERIAL NO.	ENG. NO.
836129020	83612-9020

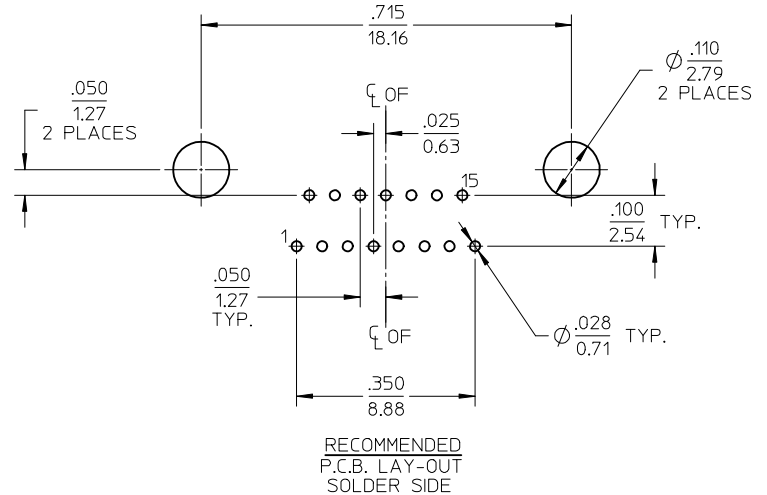
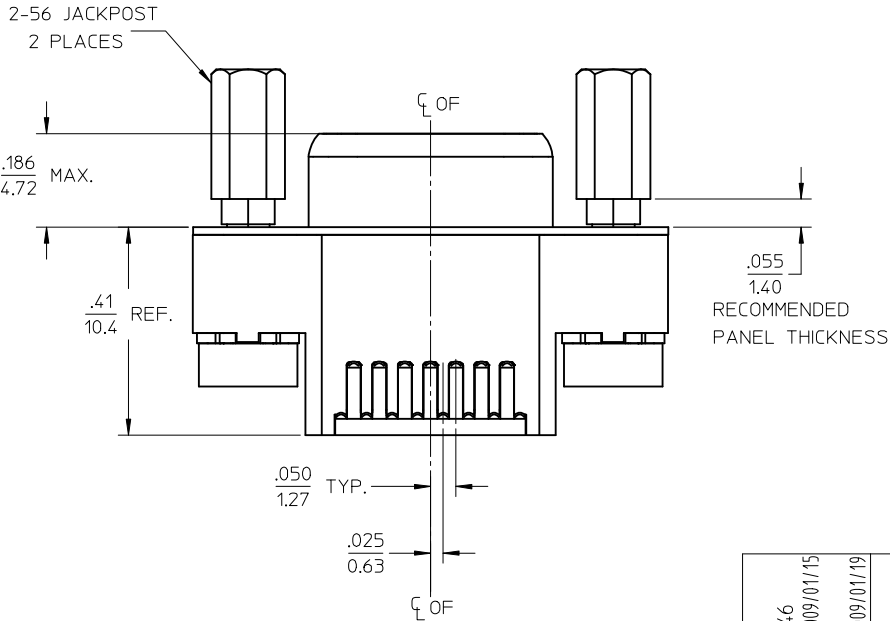
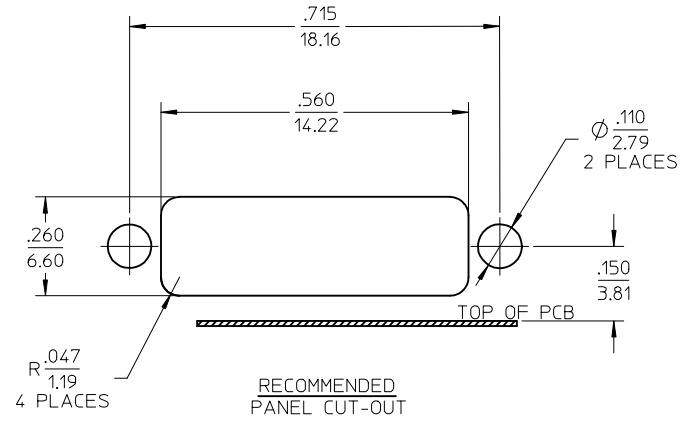
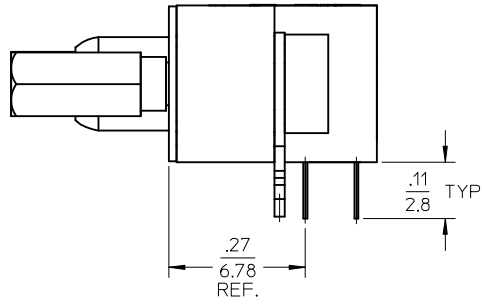
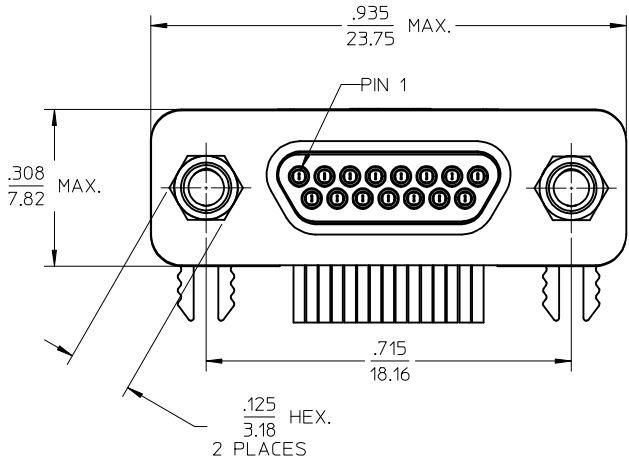


SALES DRAWING

- NOTE:  
 1. REFER TO PS-83421-9000 FOR PRODUCT SPECIFICATION.  
 2. RoHS COMPLIANT

<b>REDRAWN</b> EC NO: WNA2008-0146 DRWN: RUPERT CHKD: APPR: JF MURPHY	DESCRIPTION 2009/01/15 2009/01/19	QUALITY SYMBOLS	GENERAL TOLERANCES (UNLESS SPECIFIED)		DIMENSION STYLE		SCALE	DESIGN UNITS	THIRD ANGLE PROJECTION	
		$\nabla = 0$ $\square = 0$	mm	INCH	IN/MM		4:1	INCH		
			4 PLACES ± --- ± ---	3 PLACES ± --- ± .005	DRAWN BY	DATE	TITLE			
			2 PLACES ± 0.13 ± .01	1 PLACE ± 0.25 ± ---	JLOMASTR	04/09/20	CONNECTOR COMMERCIAL MICRO D R/A SIZE 15			
	ANGULAR ± 1 °		RDEROSS	04/09/27						
	DRAFT WHERE APPLICABLE MUST REMAIN WITHIN DIMENSIONS		APPROVED BY		DATE	MOLEX INCORPORATED				
		SEE CHART		RDEROSS	04/09/28	DOCUMENT NO.		SHEET NO.		
				MATERIAL NO.		SD-83612-002		1 OF 1		
				THIS DRAWING CONTAINS INFORMATION THAT IS PROPRIETARY TO MOLEX INCORPORATED AND SHOULD NOT BE USED WITHOUT WRITTEN PERMISSION						

MATERIAL NO.	ENG. NO.
836129020	83612-9020



SALES DRAWING

- NOTE:  
 1. REFER TO PS-83421-9000 FOR PRODUCT SPECIFICATION.  
 2. RoHS COMPLIANT

<b>REDRAWN</b> EC NO: WNA2008-0146 DRWN: RUPERT CHKD: APPR: JF MURPHY	DESCRIPTION 2009/01/15 2009/01/19	QUALITY SYMBOLS	GENERAL TOLERANCES (UNLESS SPECIFIED)		DIMENSION STYLE		SCALE	DESIGN UNITS	THIRD ANGLE PROJECTION	
		$\nabla = 0$ $\square = 0$	mm	INCH	IN/MM		4:1	INCH		
			4 PLACES ± ---	± ---	DRAWN BY	DATE	TITLE			
			3 PLACES ± ---	± .005	JLOMASTR	04/09/20	CONNECTOR COMMERCIAL MICRO D R/A SIZE 15			
	2 PLACES ± 0.13	± .01	CHECKED BY	DATE	MOLEX INCORPORATED					
	1 PLACE ± 0.25	± ---	RDEROSS	04/09/27						
	ANGULAR ± 1 °		APPROVED BY	DATE	MATERIAL NO.		DOCUMENT NO.			
	DRAFT WHERE APPLICABLE MUST REMAIN WITHIN DIMENSIONS		RDEROSS	04/09/28	SEE CHART		SD-83612-002		SHEET NO.	
					SIZE	THIS DRAWING CONTAINS INFORMATION THAT IS PROPRIETARY TO MOLEX INCORPORATED AND SHOULD NOT BE USED WITHOUT WRITTEN PERMISSION				
					A3					