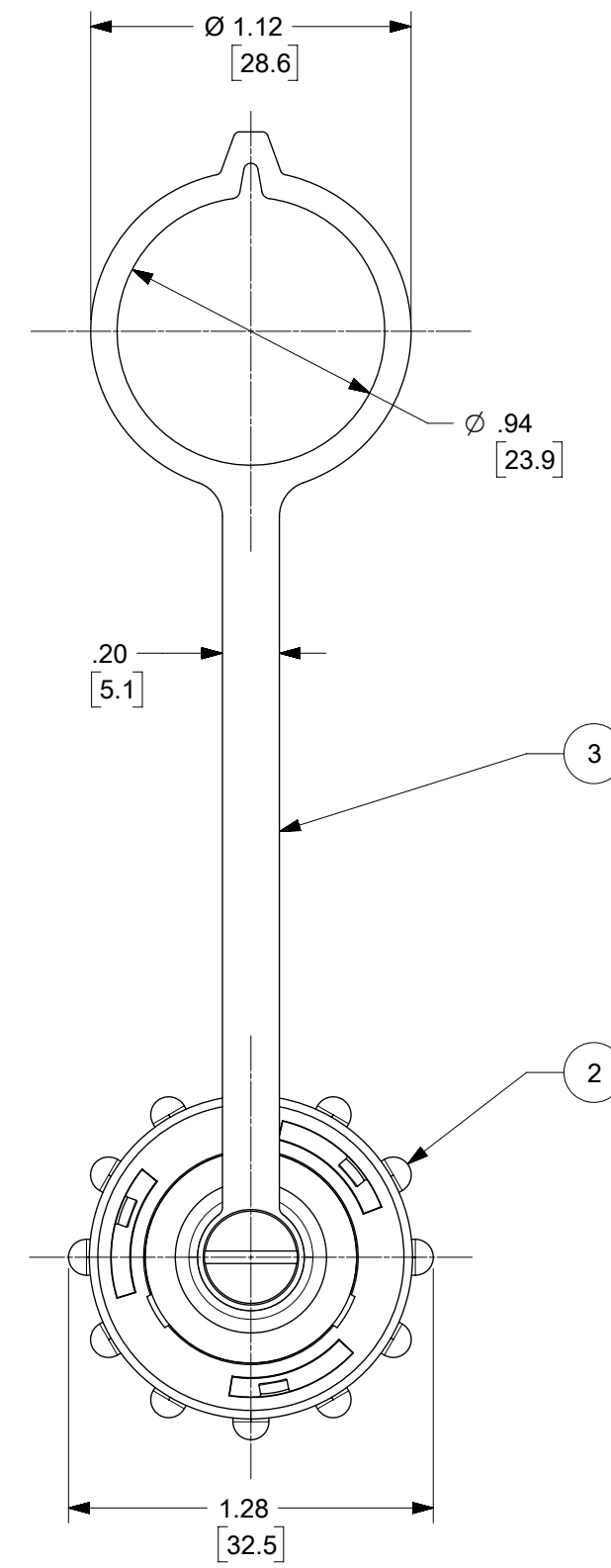
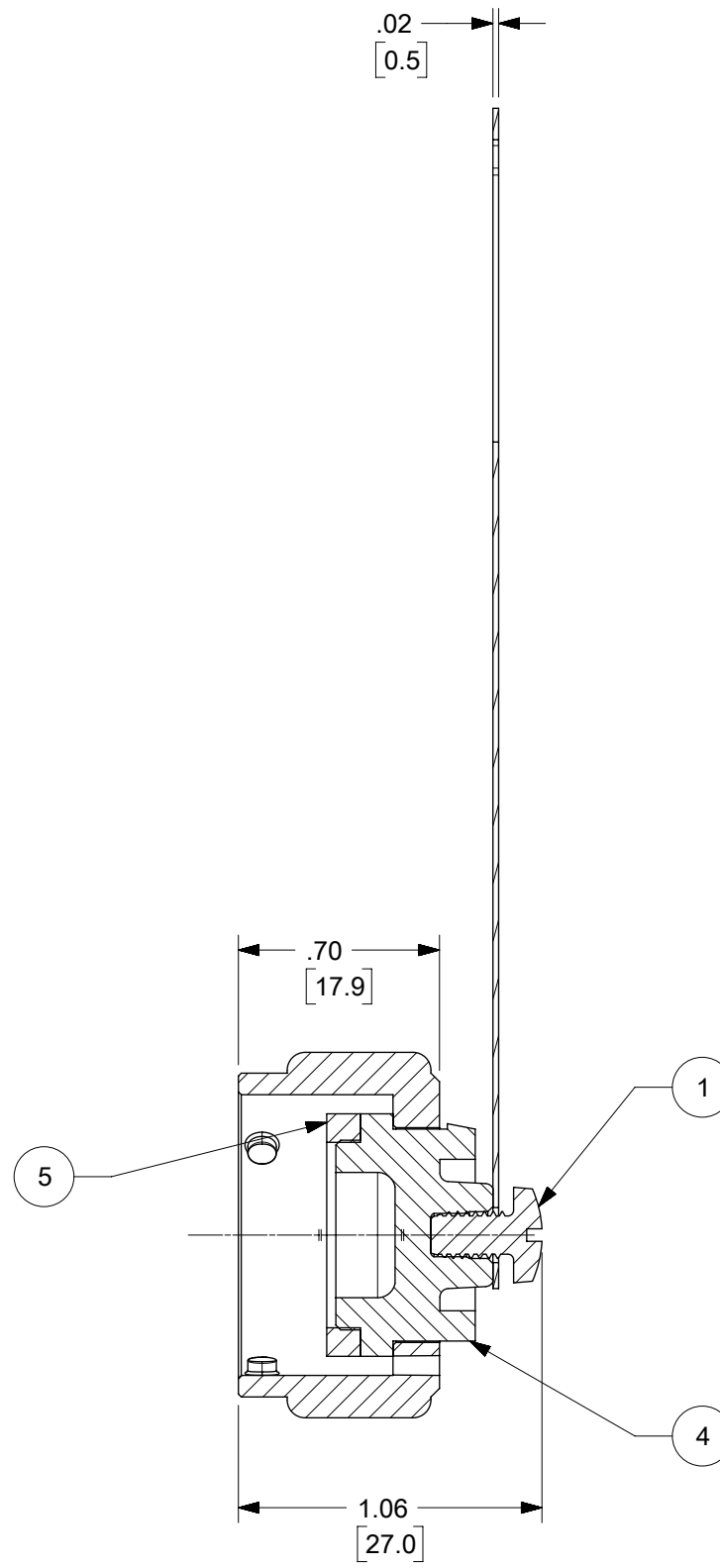
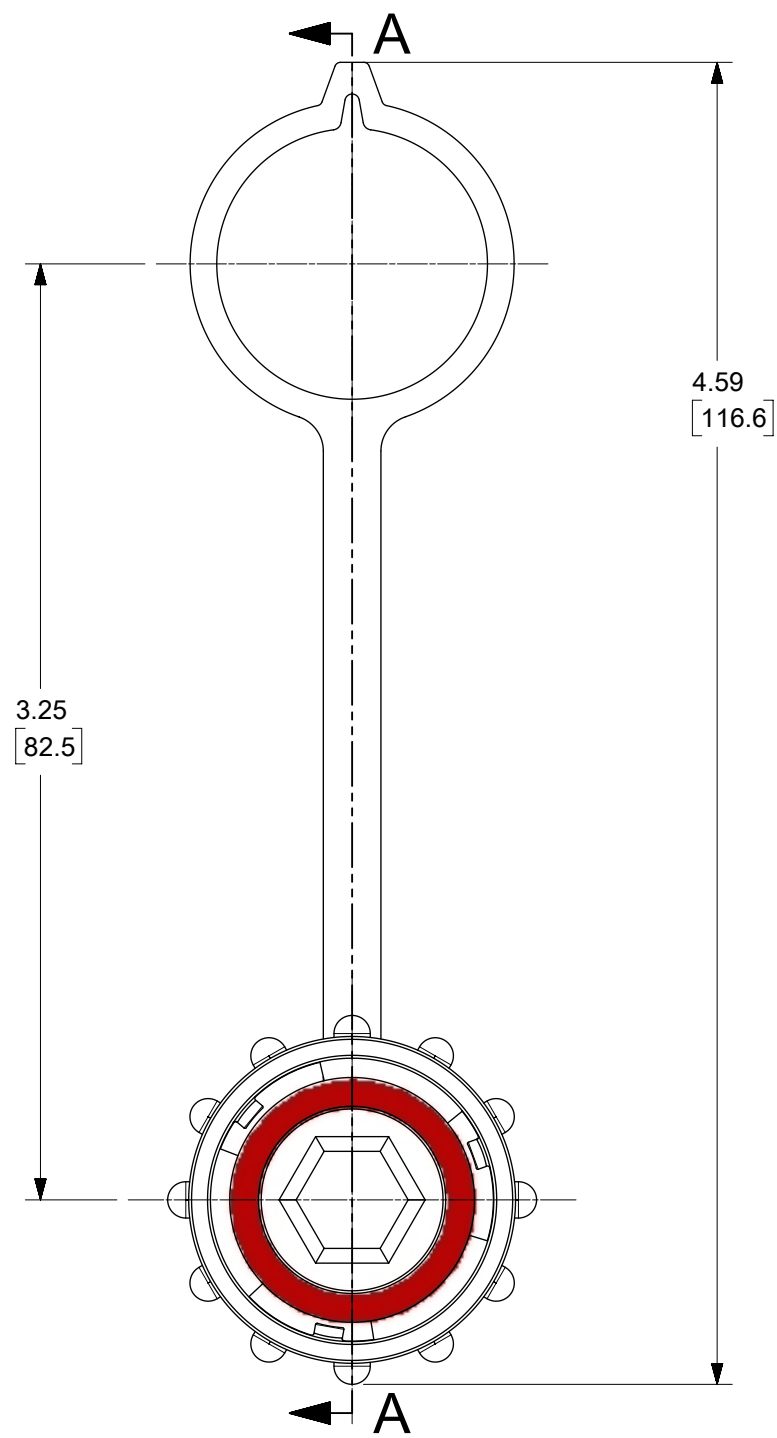


COLOR	MATERIAL NO.	ENGINEERING NO.	TETHER MATERIAL AND COLOR	GASKET SEAL MATERIAL AND COLOR
BLACK	847000003	84700-0003	HDPE, BLACK	NITRILE-BLACK
WHITE	847000011	84700-0011	POLYPROPYLENE, WHITE	SILICONE-BROWN
BLACK	847000017	84700-0017	POLYPROPYLENE, BLACK	SILICONE-BROWN

CHART




NOTES:

1. MATERIAL: AS NOTED
2. FINISH: AS NOTED
3. DIMS SHOWN ARE FOR REFERENCE UNLESS NOTED OTHERWISE
4. ASSEMBLY IS RoHS COMPLIANT

ITEM	DESCRIPTION	MATERIAL	FINISH
5	GASKET SEAL	SEE CHART	SEE CHART
4	DUST COVER	PBT	SEE CHART
3	TETHER	SEE CHART	SEE CHART
2	COUPLING RING	PBT	SEE CHART
1	SCREW, #8-32 X .29 LG.	BRASS	NICKEL PLATED

QUALITY SYMBOLS	THIS DRAWING CONTAINS INFORMATION THAT IS PROPRIETARY TO MOLEX ELECTRONIC TECHNOLOGIES, LLC AND SHOULD NOT BE USED WITHOUT WRITTEN PERMISSION			
▽ = 0	MIGRATED EC NO: 118204 DRWN: RSTONE CHKD: MZIELINSKI REV / APPR: BWOODMAN	GENERAL TOLERANCES (UNLESS SPECIFIED)		DIMENSION UNITS
▽ = 0		MM INCH		INCH
▽ = 0		4 PLACES ±	±	SCALE
▼ = 0		3 PLACES ±	± 0.005	1.5:1
▽ = 0		2 PLACES ±	± 0.13 ± 0.01	DRWN BY
▽ = 0	1 PLACES ±	± 0.3 ±	B. RUPERT	DATE
▽ = 0	0 PLACES ±	±	2013/07/09	CHK'D BY
□ = 0	ANGULAR TOL ±		DATE	
■ = 0	DRAFT WHERE APPLICABLE MUST REMAIN WITHIN DIMENSIONS		B. WOODMAN	2013/07/09
▽ = 0	DRAWING SIZE		THIRD ANGLE PROJECTION	
	C			
RELEASE STATUS		P1	RELEASE DATE	17.07.2017 14:23:23



DUST COVER, RJ-45
INDUSTRIAL ETHERNET

PRODUCT CUSTOMER DRAWING

SERIES	MATERIAL NUMBER	CUSTOMER
84700	SEE CHART	GENERAL MARKET
DOCUMENT NUMBER	DOC TYPE	DOC PART SHEET NUMBER
SD-84700-014	PSD	001 1 OF 1