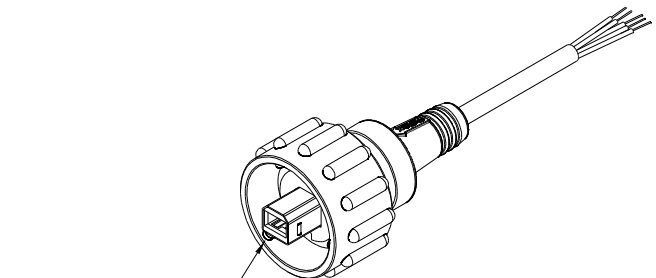
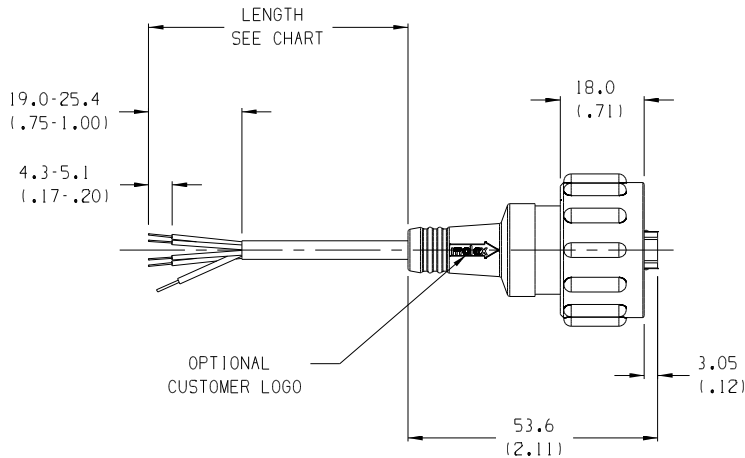


PART NO.	LENGTH
847281002	1.5M (4' 11.06")
847281001	2.0M (6' 6.74")
847281003	3.0M (9' 10.10")
847281004	5.0M (16' 4.85")
847281005	0.15M (0' 5.91")

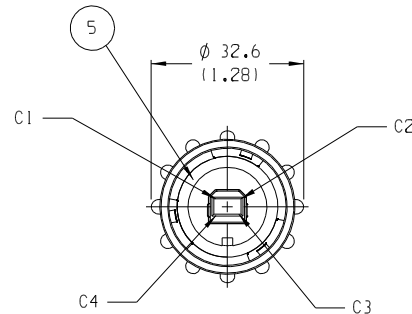
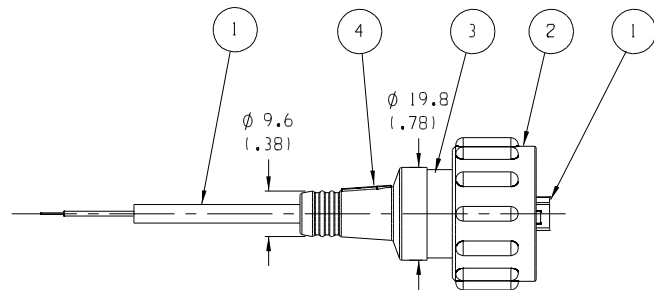


BAYONET STYLE LOCKING INTERFACE

RED	1
WHT	2
GRN	3
BLK	4
DRAIN	5 SHIELD

P1

WIRING DIAGRAM



NOTES:

1. MATERIAL: SEE TABLE
2. FINISHES: SEE TABLE
3. PRODUCT SPECIFICATION: SEE SPECIFICATIONS
4. PACKAGING: NOT REQUIRED
5. MATES WITH: USB TYPE-B RECEPTACLES

ITEM	QTY.	DESCRIPTION	MATERIAL	FINISH
5	1	GASKET SEAL	NITRILE	BLACK
4	1	OVER MOLDING	PVC	BLACK
3	1	HOLDER	POLYESTER	BLACK
2	1	COUPLING RING	POLYESTER	BLACK
1	1	USB TYPE-B PLUG SHIELDED PIGTAIL	STEEL/PLASTIC	-

04-25-05  
EC NO. ECN #4102  
DRWN: S. GILBERT  
CHK: CH'K:  
APPR: APPR:

QUALITY SYMBOLS  
MAJOR :  
CRITICAL :  
SPC :  
REV :  
DESCRIPTION

GENERAL TOLERANCES: (UNLESS SPECIFIED)	
mm	INCH
4 PLACES ±.0015	±.0015
3 PLACES ±.038	±.005
2 PLACES ±.13	±.01
1 PLACE ±.3	

SCALE	DESIGN UNITS
FULL	<input type="checkbox"/> mm <input checked="" type="checkbox"/> INCH
DRAWN BY & DATE S. GILBERT 06-29-04	
CHECKED BY & DATE G ROBERTSON 10-05-04	
APPROVED BY & DATE AMP 10-05-04	
CAD FILENAME SD-84728-001	

THIRD ANGLE PROJECTION	
<input checked="" type="checkbox"/> mm	<input type="checkbox"/> INCH
<input type="checkbox"/> mm	<input type="checkbox"/> INCH
TITLE: PLUG, USB TYPE-B, SHIELDED, PIGTAIL CIC	
MOLEX INCORPORATED	
MATERIAL NO. SEE CHART	DRAWING NO. SD-84728-001

PROJECT NO. PDR #04-069	I	-
DIMENSIONS:	SHT	REV
		REVISE ON CAD ONLY

THIS DRAWING CONTAINS INFORMATION THAT IS PROPRIETARY TO MOLEX INCORPORATED AND SHOULD NOT BE USED WITHOUT WRITTEN PERMISSION.

SIZE B