

**PLEASE CHECK WWW.MOLEX.COM FOR LATEST PART INFORMATION**

**Part Number:** [84729-0009](#)  
**Status:** **Active**  
**Overview:** Industrial USB Type A and B Plugs and Receptacles  
**Description:** USB Type A Panel Mount PCB Receptacle

**Documents:**

[3D Model](#) [Product Specification PS-84727-002 \(PDF\)](#)  
[Drawing \(PDF\)](#) [RoHS Certificate of Compliance \(PDF\)](#)

**General**

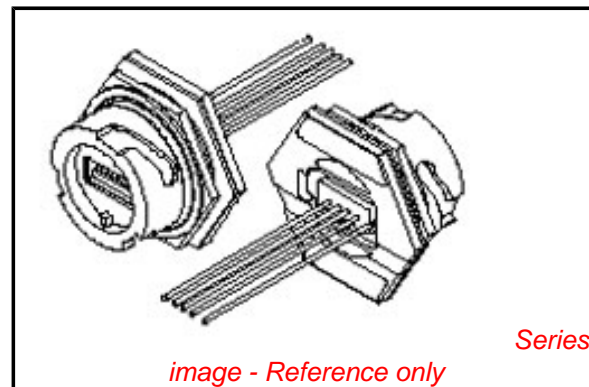
Product Family	I/O Connectors
Series	<a href="#">84729</a>
Application	Wire-to-Board
Component Type	I/O Housing
MolexKits	Yes
Overview	<a href="#">Industrial USB Type A and B Plugs and Receptacles</a>
Product Name	Industrial USB
Type	A
UPC	822350592383

**Physical**

Circuits (Loaded)	4
Circuits (maximum)	4
Color - Resin	Black
Durability (mating cycles max)	200
Gender	Receptacle
Keying to Mating Part	N/A
Lock to Mating Part	Yes
Material - Plating Mating	N/A
Material - Resin	Nylon, Polyester
Net Weight	9.660/g
Number of Rows	1
Orientation	Vertical
PC Tail Length	2.90mm
PCB Locator	Yes
PCB Retention	Yes
PCB Thickness - Recommended	1.60mm
Packaging Type	Bag
Panel Mount	Yes
Pitch - Mating Interface	2.00mm
Pitch - Termination Interface	2.00mm
Polarized to Mating Part	Yes
Polarized to PCB	Yes
Ports	1
Surface Mount Compatible (SMC)	No
Temperature Range - Operating	-40°C to +60°C
Termination Interface: Style	N/A
Waterproof / Dustproof	Yes
Waterproof / Dustproof Type	IP67

**Electrical**

Current - Maximum per Contact	1A
Grounding to Panel	N/A
Shield Type	Full Shield
Shielded	Yes
Voltage - Maximum	30V AC (RMS)



**EU RoHS**

**ELV and RoHS  
Compliant**

**REACH SVHC**

Not Reviewed

**Low-Halogen Status**

**Not Low-Halogen**

**China RoHS**



**Need more information on product  
environmental compliance?**

Email [productcompliance@molex.com](mailto:productcompliance@molex.com)  
 For a multiple part number RoHS Certificate of  
 Compliance, [click here](#)

Please visit the [Contact Us](#) section for any  
 non-product compliance questions.

**Search Parts in this Series**

[84729Series](#)

**Mates With**

[84727 USB Type A Plugs](#)

**Material Info**

**Reference - Drawing Numbers**

Product Specification

PS-84727-002

Sales Drawing

SD-84729-004

This document was generated on 11/27/2012

**PLEASE CHECK [WWW.MOLEX.COM](http://WWW.MOLEX.COM) FOR LATEST PART INFORMATION**