

PLEASE CHECK WWW.MOLEX.COM FOR LATEST PART INFORMATION

Part Number: [84729-0009](#)
Status: **Active**
Overview: Industrial USB Type A and B Plugs and Receptacles
Description: USB Type A Panel Mount PCB Receptacle

Documents:

[3D Model](#) [Product Specification PS-84727-002 \(PDF\)](#)
[Drawing \(PDF\)](#) [RoHS Certificate of Compliance \(PDF\)](#)

General

Product Family	I/O Connectors
Series	84729
Application	Wire-to-Board
Component Type	I/O Housing
MolexKits	Yes
Overview	Industrial USB Type A and B Plugs and Receptacles
Product Name	Industrial USB
Type	A

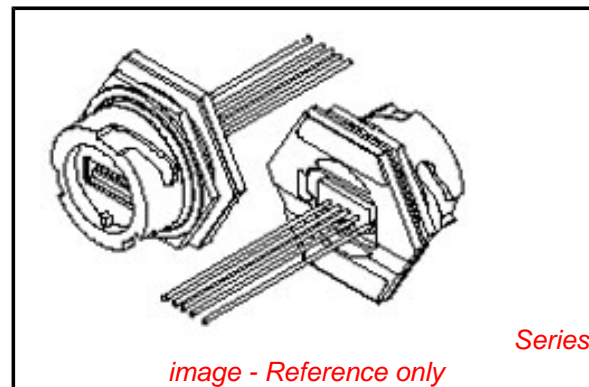
Physical

Circuits (Loaded)	4
Circuits (maximum)	4
Color - Resin	Black
Durability (mating cycles max)	200
Gender	Receptacle
Keying to Mating Part	N/A
Lock to Mating Part	Yes
Material - Plating Mating	n/a
Material - Resin	Nylon, Polyester
Number of Rows	1
Orientation	Vertical
PC Tail Length	2.90mm
PCB Locator	Yes
PCB Retention	Yes
PCB Thickness - Recommended	1.60mm
Packaging Type	Bag
Panel Mount	Yes
Pitch - Mating Interface	2.00mm
Pitch - Termination Interface	2.00mm
Polarized to Mating Part	Yes
Polarized to PCB	Yes
Ports	1
Surface Mount Compatible (SMC)	No
Temperature Range - Operating	-40°C to +60°C
Termination Interface: Style	N/A
Waterproof / Dustproof	Yes
Waterproof / Dustproof Type	IP67

Electrical

Current - Maximum per Contact	1A
Grounding to Panel	N/A
Shield Type	Full Shield
Shielded	Yes
Voltage - Maximum	30V AC (RMS)

Material Info



EU RoHS

**ELV and RoHS
Compliant**
REACH SVHC
 Not Reviewed
Low-Halogen Status
 Not Reviewed

China RoHS



**Need more information on product
environmental compliance?**

Email productcompliance@molex.com
 For a multiple part number RoHS Certificate of
 Compliance, [click here](#)

Please visit the [Contact Us](#) section for any
 non-product compliance questions.

Search Parts in this Series

[84729Series](#)

Mates With

[84727 USB Type A Plugs](#)

UPC

822350592383

Reference - Drawing Numbers

Product Specification

PS-84727-002

Sales Drawing

SD-84729-004

This document was generated on 06/22/2012

PLEASE CHECK WWW.MOLEX.COM FOR LATEST PART INFORMATION