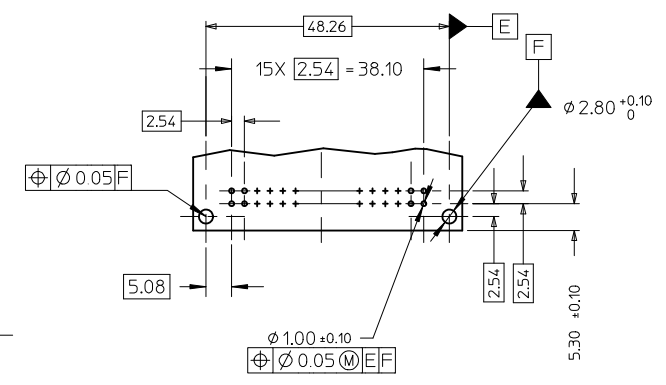
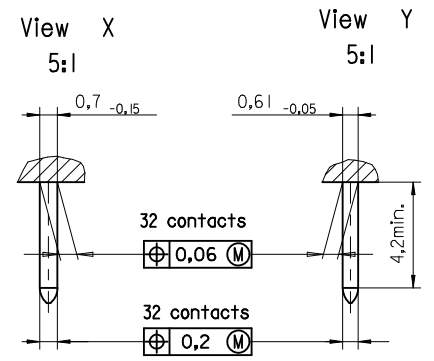
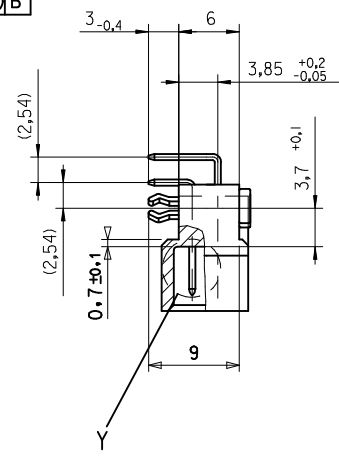


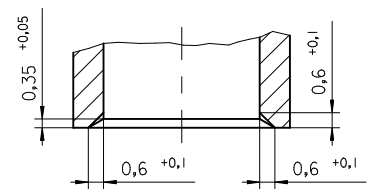
RECOMMENDED PCB LAYOUT  
COMPONENT SIDE



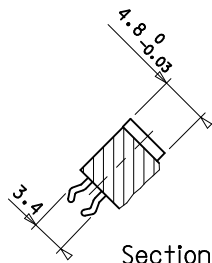
RECOMMENDED PCB THICKNESS - 1,6MM



Section A - B  
5:1



Section C - D



<b>ENTER DESCRIPTION</b> EC NO: 12011-0346 DRWN: VUTTARKAR 2011/08/31 CHKD: KRASAD APPR: KRASAD 2011/09/02	<b>QUALITY SYMBOLS</b> $\nabla_A = 0$ $\nabla_C = 0$ $\nabla_F = 0$	<b>GENERAL TOLERANCES (UNLESS SPECIFIED)</b>		<b>DIMENSION STYLE</b> MM ONLY	SCALE METRIC	DESIGN UNITS METRIC	FIRST ANGLE PROJECTION
		mm	INCH	DRAWN BY VUTTARKAR	DATE	TITLE 32POS. MALE CONNECTOR ACC. DIN 41612 STYLE B/2 DIMENSIONS	
		4 PLACES	± ---	± ---	CHECKED BY KRASAD	DATE	<b>MOLEX INCORPORATED</b>
		3 PLACES	± ---	± ---	APPROVED BY KRASAD	DATE	
		2 PLACES	± ---	± ---	MATERIAL NO. ---		
		1 PLACE	± ---	± ---	DOCUMENT NO. SDA-85001-0002		
		ANGULAR ± ---°		SHEET NO. 1 OF 01			
DRAFT WHERE APPLICABLE MUST REMAIN WITHIN DIMENSIONS				THIS DRAWING CONTAINS INFORMATION THAT IS PROPRIETARY TO MOLEX INCORPORATED AND SHOULD NOT BE USED WITHOUT WRITTEN PERMISSION			

VIEW ON MATING SIDE

∞	B	B	B	B	B	B	B	B	B	B	B	B	B	B
◁	A	A	A	A	A	A	A	A	A	A	A	A	A	A

1 2 3 4 5 6 7 8 9 10 11 12 13 14 15 16 17 18 19 20 21 22 23 24 25 26 27 28 29 30 31 32

A = 16 STANDARD CONTACTS L=3

B = 16 STANDARD CONTACTS L=3

S = 32 TOTAL NUMBER OF CONTACTS

Marking	Standard
Performance level	G2/0 = Contact area level2 / Termination tin
Flux proof	no
Fixing clip	no
Dimensions	SDA-85001-0002 sht.1
Technical Data	PS-85003-0001

B	G2/0
A	G2/0
Contact symbol	Perform. level
	Contact position number

C	see ECN No. 2204
	96/07/18 Cd
LTR	REVISIONS
	FOR PREVIOUS REVISIONS SEE MRI LIST

UNLESS OTHERWISE SPECIFIED TOLERANCES: ANGULAR ± 2°	DRWG BY <b>Cd</b>	SIGN	THIS DRAWING CONTAINS INFORMATION THAT IS PROPRIETARY TO MOLEX INC. & SHOULD NOT BE USED WITHOUT WRITTEN PERMISSION		SH. REV.
			3 PLACE ± .	MM	1 OF 1
2 PLACE ± .	CHK'D BY <b>KN</b>	SIGN	TITLE <b>32 pos. Male connector acc. DIN 41612 style B/2 contacts arrangement</b>	SHEET NO. DATE <b>1 OF 1 95/05/23</b>	SIZE <b>A</b>
1 PLACE ± .	APP'D BY	SIGN			
DRAFT WHERE APPLICABLE MUST REMAIN WITHIN DIMENSIONS	SCALE		PART NO. <b>85001-0012</b>	DWG NO. <b>SDA-85001-0012</b>	
DESIGN DIMENSION <input type="checkbox"/> MM <input type="checkbox"/> IN.	EQUIVALENT DIMENSION <input type="checkbox"/> MM <input type="checkbox"/> IN.				
IF TWO DIMENSIONS ARE SHOWN, THE UPPER IS THE DESIGN DIMENSION, LOWER IS SECONDARY					

REVISE ONLY ON CAD SYSTEM

