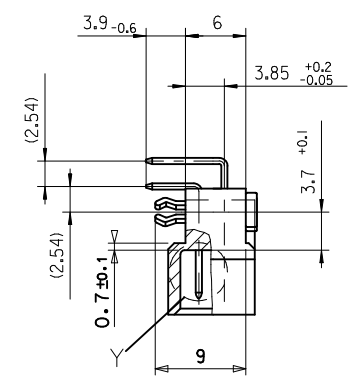
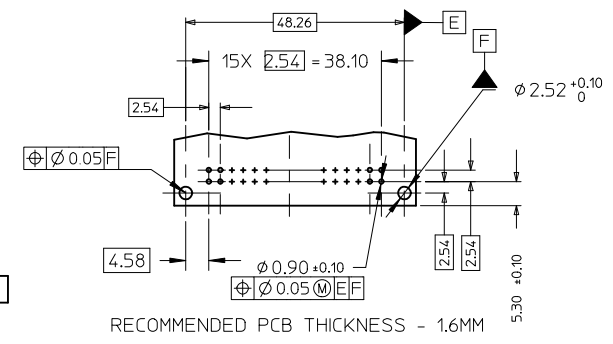
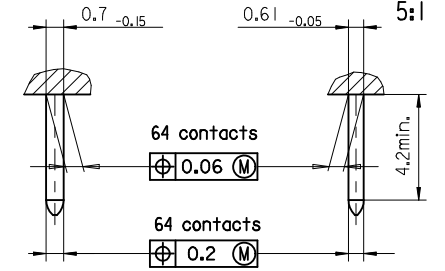


RECOMMENDED PCB LAYOUT COMPONENT SIDE

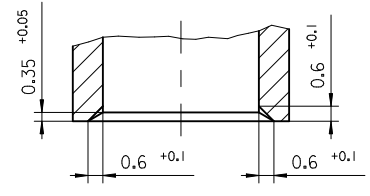


View X
5:1

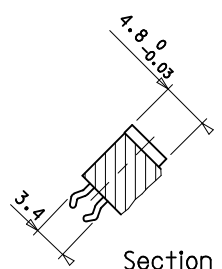
View Y
5:1



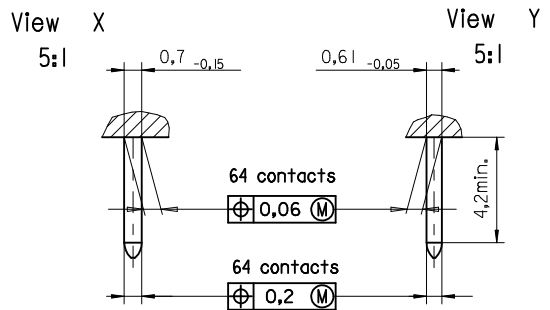
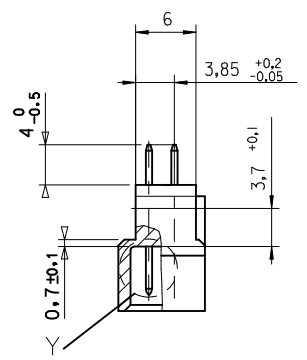
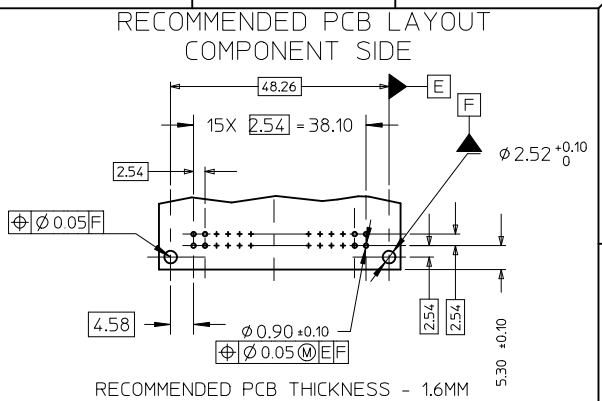
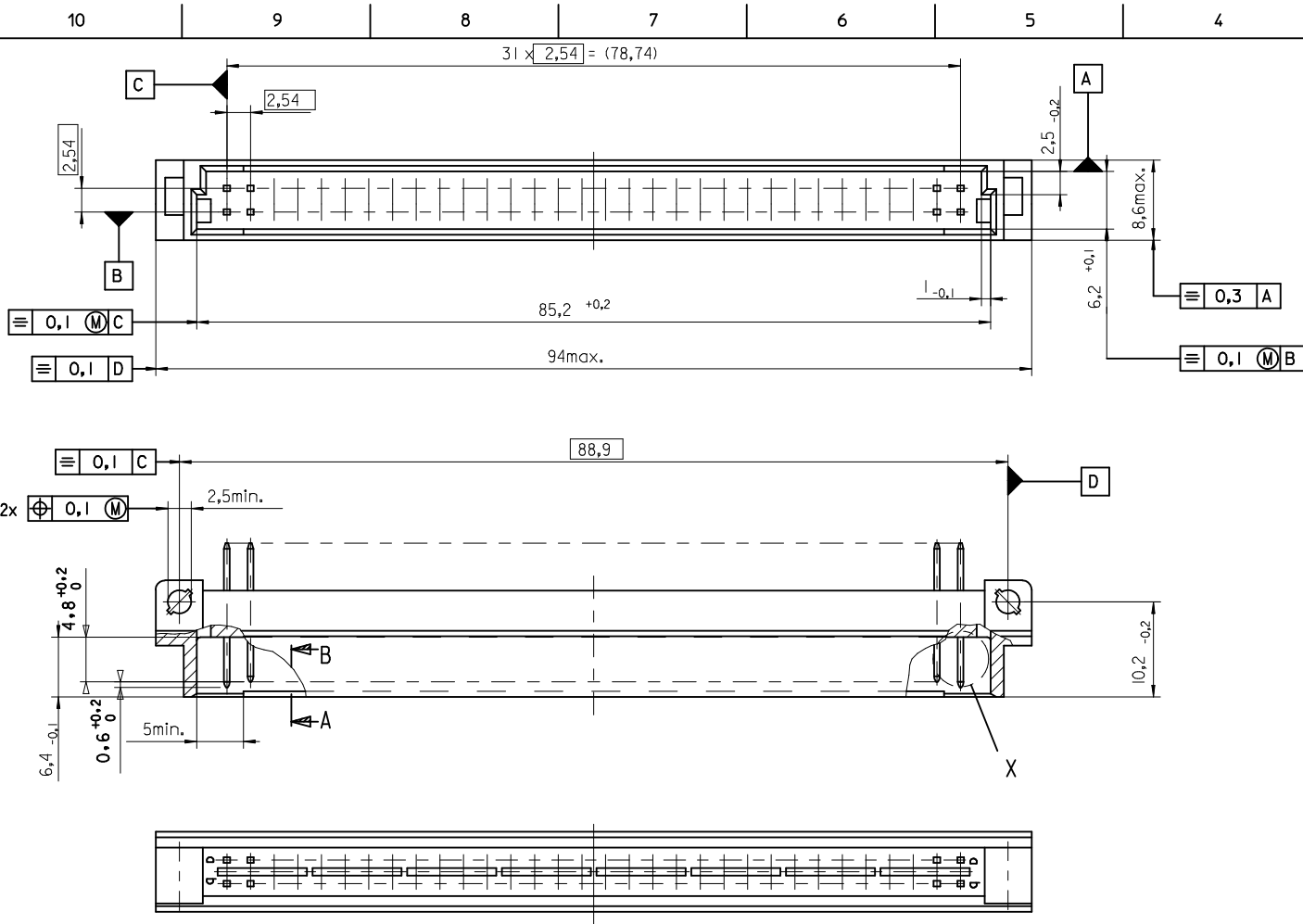
Section A - A
5:1



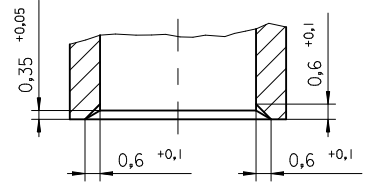
Section B - B



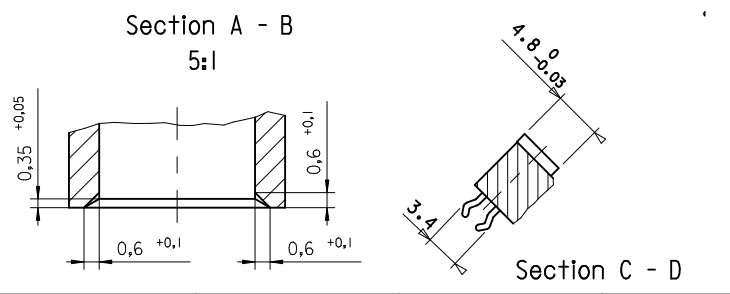
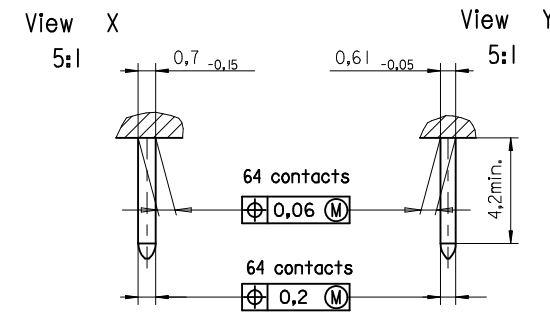
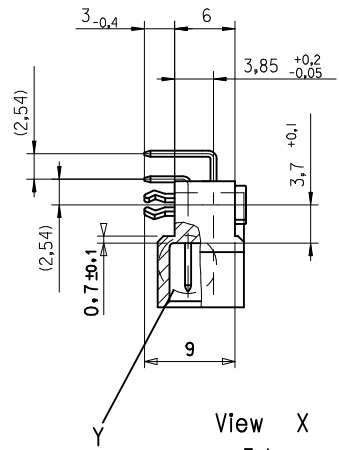
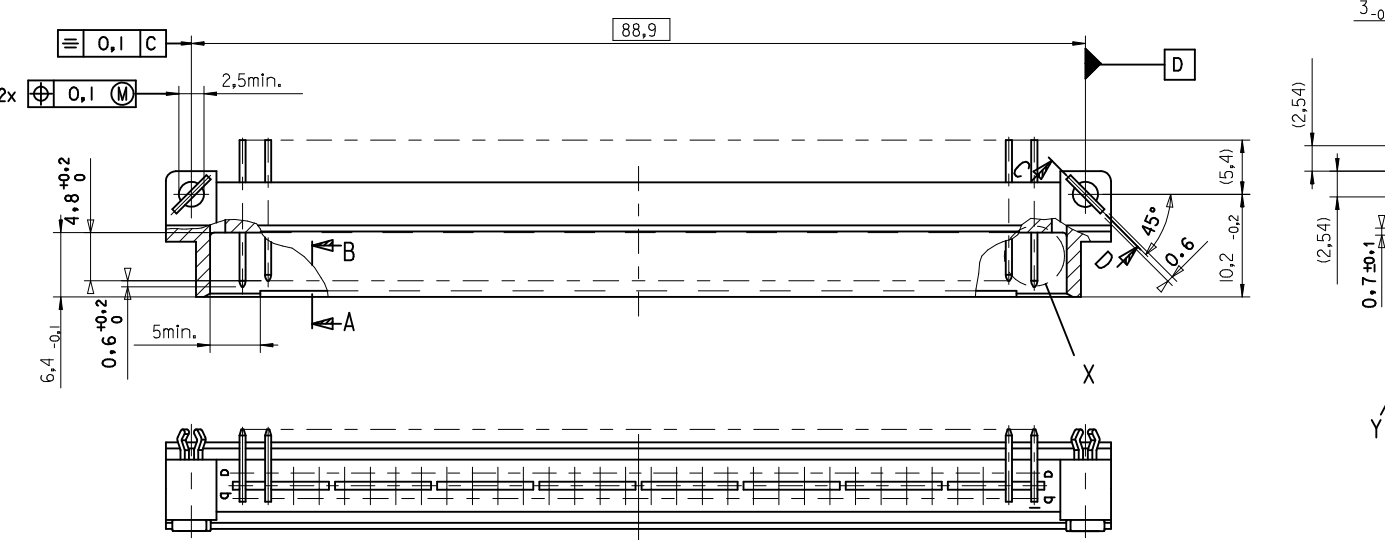
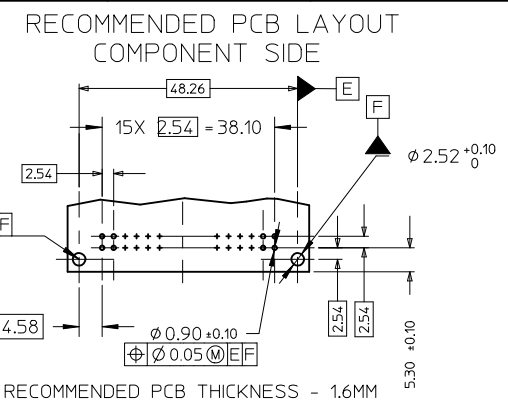
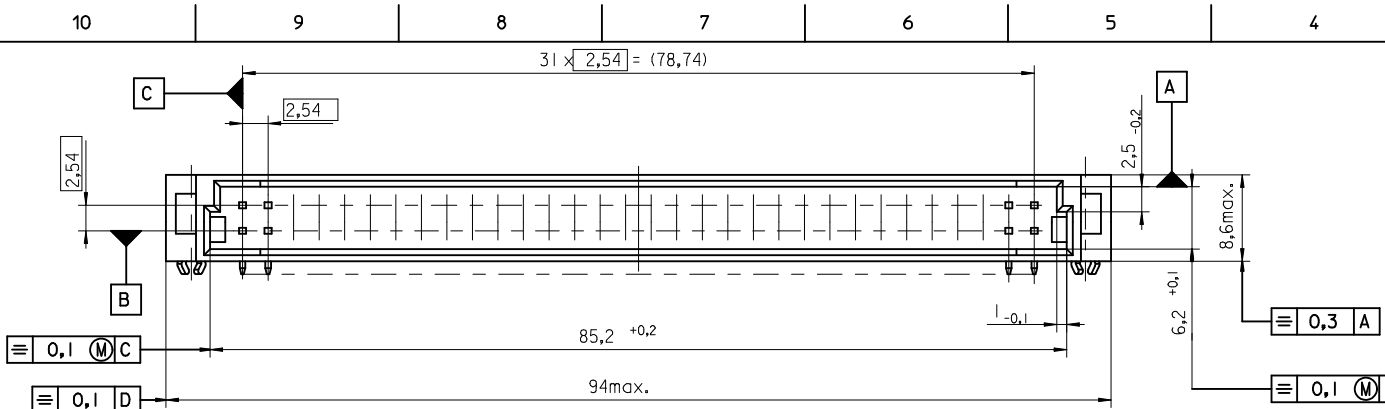
ENTER DESCRIPTION EC NO: DRAWN BY: VUTTARKAR CHKD: KPRASAD APPR:	QUALITY SYMBOLS	GENERAL TOLERANCES (UNLESS SPECIFIED)		DIMENSION STYLE MM ONLY		SCALE 1:1	DESIGN UNITS METRIC	FIRST ANGLE PROJECTION		
	$F_A=0$	mm	INCH	DRAWN BY	DATE	TITLE				
	$F_C=0$	4 PLACES	± ---	± ---	VUTTARKAR	2011/09/23	64 POS. MALE CONNECTOR ACC. DIN 41612 STYLE B DIMENSIONS			
	$F_B=0$	3 PLACES	± ---	± ---	CHECKED BY	DATE	MOLEX INCORPORATED			
		2 PLACES	± ---	± ---	KPRASAD		DOCUMENT NO. SDA-85001-0001			
		1 PLACE	± ---	± ---	APPROVED BY	DATE	SHEET NO. 1 OF 03			
		ANGULAR ± ---°		MATERIAL NO.		THIS DRAWING CONTAINS INFORMATION THAT IS PROPRIETARY TO MOLEX INCORPORATED AND SHOULD NOT BE USED WITHOUT WRITTEN PERMISSION				
		DRAFT WHERE APPLICABLE MUST REMAIN WITHIN DIMENSIONS		850010036						
				SIZE A3						



Section A - B
5:1



ENTER DESCRIPTION EC NO: DRWN:VUTTARKAR 2011/09/23 CHKD:KPRASAD APPR:	QUALITY SYMBOLS	GENERAL TOLERANCES (UNLESS SPECIFIED)		DIMENSION STYLE MM ONLY		SCALE 1:1	DESIGN UNITS METRIC	FIRST ANGLE PROJECTION	
	▽ F=0	4 PLACES	± ---	± ---	DRAWN BY VUTTARKAR	DATE 2011/09/23	TITLE 64 POS. MALE CONNECTOR ACC. DIN 41612 STYLE B DIMENSIONS		
	▽ F=0	3 PLACES	± ---	± ---	CHECKED BY KPRASAD	DATE	MOLEX MOLEX INCORPORATED		
	▽ F=0	2 PLACES	± ---	± ---	APPROVED BY	DATE	SHEET NO. 2 OF 03		
		1 PLACE	± ---	± ---	MATERIAL NO. 850010036		DOCUMENT NO. SDA-85001-0001		
				ANGULAR ± ---°	DRAFT WHERE APPLICABLE MUST REMAIN WITHIN DIMENSIONS		THIS DRAWING CONTAINS INFORMATION THAT IS PROPRIETARY TO MOLEX INCORPORATED AND SHOULD NOT BE USED WITHOUT WRITTEN PERMISSION		



ENTER DESCRIPTION EC NO: 2011/09/23 DRWN: VUTTARKAR CHYK: KPRASAD APPR:	QUALITY SYMBOLS $F_A = 0$ $F_B = 0$ $F_C = 0$	GENERAL TOLERANCES (UNLESS SPECIFIED) <table border="1"> <tr> <td></td> <td>mm</td> <td>INCH</td> </tr> <tr> <td>4 PLACES</td> <td>± ---</td> <td>± ---</td> </tr> <tr> <td>3 PLACES</td> <td>± ---</td> <td>± ---</td> </tr> <tr> <td>2 PLACES</td> <td>± ---</td> <td>± ---</td> </tr> <tr> <td>1 PLACE</td> <td>± ---</td> <td>± ---</td> </tr> </table>		mm	INCH	4 PLACES	± ---	± ---	3 PLACES	± ---	± ---	2 PLACES	± ---	± ---	1 PLACE	± ---	± ---	DIMENSION STYLE MM ONLY	SCALE 1:1	DESIGN UNITS METRIC	FIRST ANGLE PROJECTION
		mm	INCH																		
	4 PLACES	± ---	± ---																		
	3 PLACES	± ---	± ---																		
2 PLACES	± ---	± ---																			
1 PLACE	± ---	± ---																			
DRAFT WHERE APPLICABLE MUST REMAIN WITHIN DIMENSIONS	DRAWN BY VUTTARKAR	DATE 2011/09/23	TITLE 64 POS. MALE CONNECTOR ACC. DIN 41612 STYLE B DIMENSIONS	MATERIAL NO. 850010036	DOCUMENT NO. SDA-85001-0001	SHEET NO. 03 OF 03															
APPROVED BY KPRASAD	DATE	DATE	MOLEX MOLEX INCORPORATED	THIS DRAWING CONTAINS INFORMATION THAT IS PROPRIETARY TO MOLEX INCORPORATED AND SHOULD NOT BE USED WITHOUT WRITTEN PERMISSION																	
REV	DESCRIPTION	ANGULAR ± --- °	SIZE A3																		

