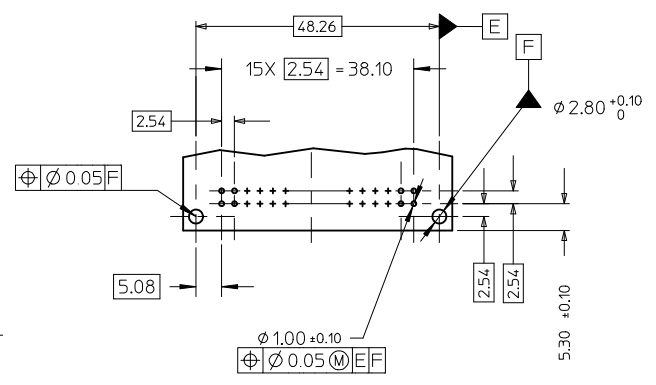
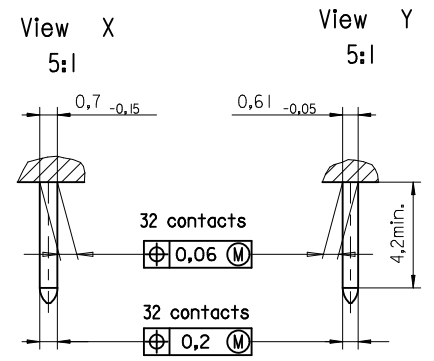


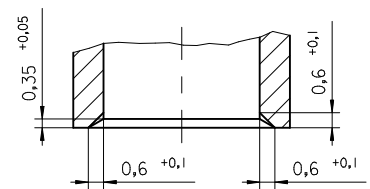
RECOMMENDED PCB LAYOUT
COMPONENT SIDE



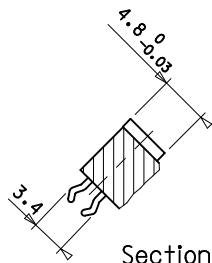
RECOMMENDED PCB THICKNESS - 1.6MM



Section A - B
5:1



Section C - D



ENTER DESCRIPTION EC NO: 12011-0346 DRWN: VUTTARKAR 2011/08/31 CHKD: KRASAD APPR: KRASAD 2011/09/02	QUALITY SYMBOLS $F_A=0$ $F_C=0$ $F_B=0$	GENERAL TOLERANCES (UNLESS SPECIFIED)		DIMENSION STYLE MM ONLY	SCALE METRIC	DESIGN UNITS METRIC	FIRST ANGLE PROJECTION		
		mm	INCH	DRAWN BY VUTTARKAR	DATE	TITLE 32POS. MALE CONNECTOR ACC. DIN 41612 STYLE B/2 DIMENSIONS			
		4 PLACES	± ---	± ---	CHECKED BY KRASAD	DATE	MOLEX INCORPORATED		
		3 PLACES	± ---	± ---	APPROVED BY KRASAD	DATE	MATERIAL NO. ---	DOCUMENT NO. SDA-85001-0002	SHEET NO. 1 OF 01
DRAFT WHERE APPLICABLE MUST REMAIN WITHIN DIMENSIONS		ANGULAR ± ---°		THIS DRAWING CONTAINS INFORMATION THAT IS PROPRIETARY TO MOLEX INCORPORATED AND SHOULD NOT BE USED WITHOUT WRITTEN PERMISSION					

VIEW ON MATING SIDE

∞	B	B	B	B	B	B	B	B	B	B	B	B	B	B
◁	A	A	A	A	A	A	A	A	A	A	A	A	A	A

1 2 3 4 5 6 7 8 9 10 11 12 13 14 15 16 17 18 19 20 21 22 23 24 25 26 27 28 29 30 31 32

A = 16 STANDARD CONTACTS L=3

B = 16 STANDARD CONTACTS L=3

S = 32 TOTAL NUMBER OF CONTACTS

Marking	Standard
Performance level	G2/0 = Contact area level2 / Termination tin
Flux proof	no
Fixing clip	yes
Dimensions	SDA-85001-0002 sht.1
Technical Data	PS-85003-0001

B	G2/0
A	G2/0
Contact symbol	Perform. level
	Contact position number

C	see ECN No. 2204
	96/07/18 Cd
LTR	REVISIONS

FOR PREVIOUS REVISIONS SEE MRI LIST	
UNLESS OTHERWISE SPECIFIED TOLERANCES: ANGULAR ± 2°	DRWG BY Cc
INCH	CHK'D BY KN
METRIC	APP'D BY
3 PLACE ± .	SIGN
2 PLACE ± .	SIGN
1 PLACE ± .	SIGN
DRAFT WHERE APPLICABLE MUST REMAIN WITHIN DIMENSIONS	SCALE
DESIGN DIMENSION <input type="checkbox"/> MM <input type="checkbox"/> IN.	
EQUIVALENT DIMENSION <input type="checkbox"/> MM <input type="checkbox"/> IN.	
IF TWO DIMENSIONS ARE SHOWN, THE UPPER IS THE DESIGN DIMENSION, LOWER IS SECONDARY	

REVISE ONLY ON CAD SYSTEM	SH. REV.
CAD/CAM PROJECT NAME S8500100 S71	THIS DRAWING CONTAINS PROPRIETARY TO MOLEX INC. & SHOULD NOT BE USED WITHOUT WRITTEN PERMISSION
TITLE 32 pos. Male connector acc. DIN 41612 style B/2 contacts arrangement	SHEET NO. DATE 1 OF 1 95/06/19
molex® MOLEX EUROPE	DWG NO. SDA-85001-0074
PART NO. 85001-0074	SIZE A