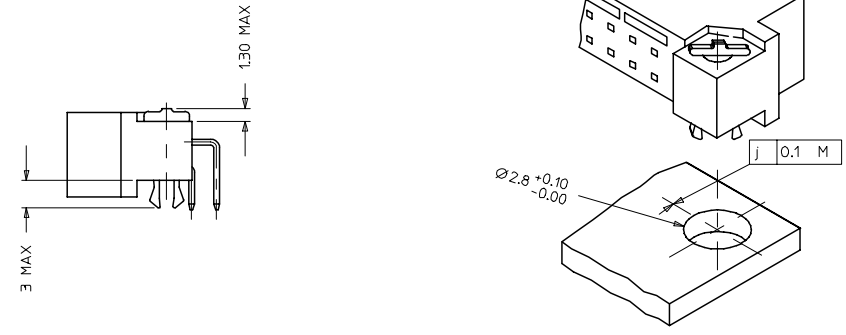


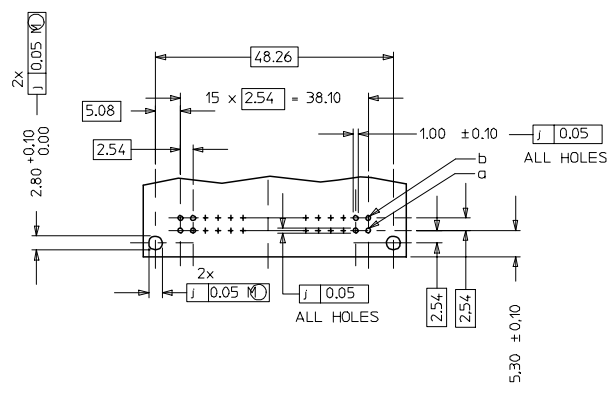
WITH MOUNTING CLIPS

8:1



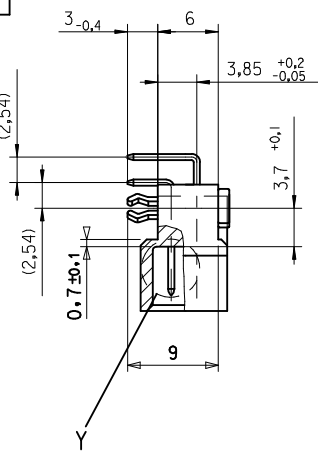
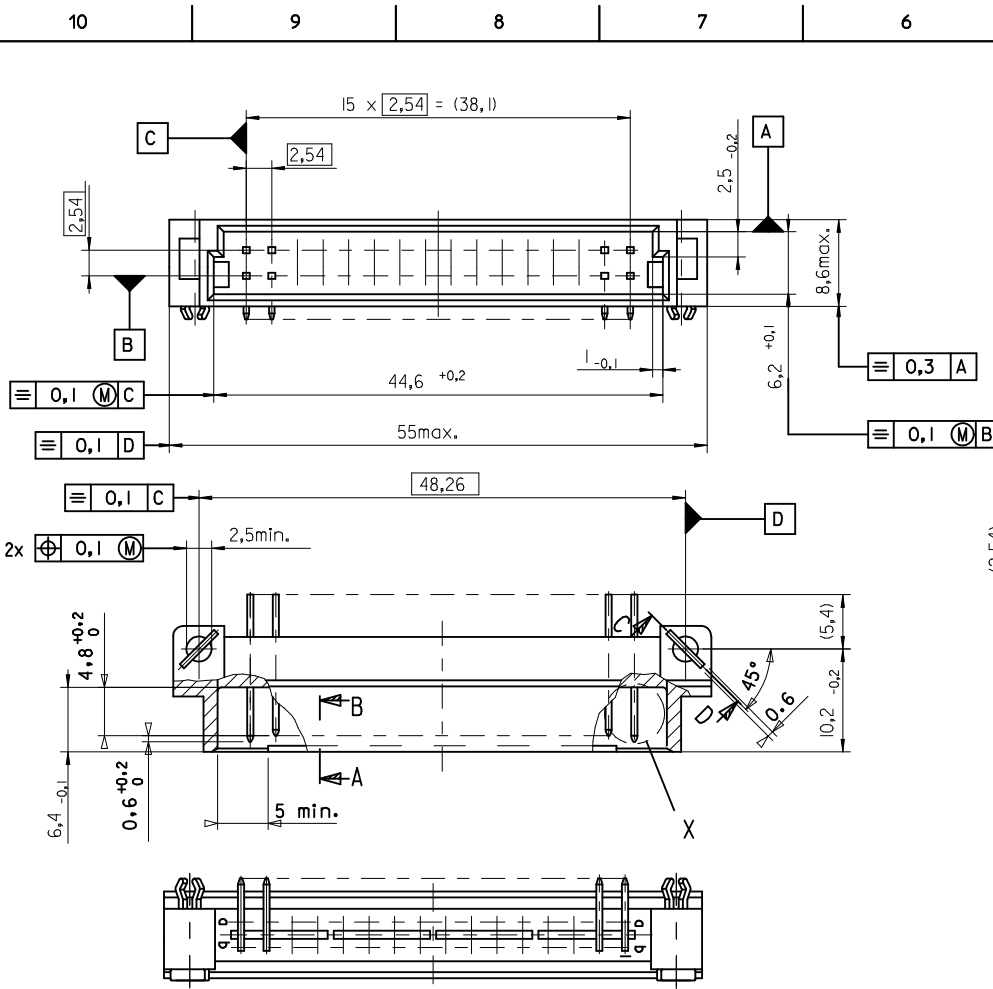
- NOTES:
- MATERIALS: THERMOPLASTIC POLYESTER, GLASS FILLED, UL94V-0  
 COLOUR: PEBBLE GREY, RAL 7032  
 TERMINAL - BRASS  
 MOUNTING CLIP: STEEL
  - FINISH: TERMINAL-  
 CONTACT AREA  
 1. PERFORMANCE LEVEL 1: SELECTIVE GOLD (Au), THICKNESS = 1.1 MICROMETER  
 OVER NICKEL, THICKNESS = 1.25 MICROMETER  
 2. PERFORMANCE LEVEL 2: SELECTIVE GOLD (Au), THICKNESS = 0.6 MICROMETER  
 OVER NICKEL, THICKNESS = 1.25 MICROMETER  
 3. PERFORMANCE LEVEL 3: SELECTIVE GOLD (Au), THICKNESS = 0.3 MICROMETER  
 OVER NICKEL, THICKNESS = 1.25 MICROMETER  
 TERMINATION AREA:  
 SELECTIVE TIN, THICKNESS = 2.5 MICROMETER  
 OVER NICKEL, THICKNESS = 1.25 MICROMETER OVERALL
  - MOUNTING CLIP:-  
 TIN (Sn), THICKNESS = 5-10 MICROMETER,  
 OVER NICKEL (Ni), THICKNESS = 2.5 MICROMETER
  - FOR NON MOUNTING CLIP OPTION, CONNECTOR TO BE SECURED WITH  
 RIVETS: 2 TUBULAR RIVETS 2.5 x 0.3 ... DIN 7340  
 SCREWS: 2 CHEESEHEAD SCREWS M2.5 x ... DIN 84 AND 2 HEXAGONAL NUTS M2.5 DIN 934
  - STANDARD MARKING: MOLEX, MATERIAL NUMBER, BATCH CODE
  - CUT FACES OF TIP WITHOUT PLATING IS PERMITTED
  - PRODUCT SPECIFICATION PS : 85003-0001

RECOMMENDED PCB LAYOUT  
COMPONENT SIDE

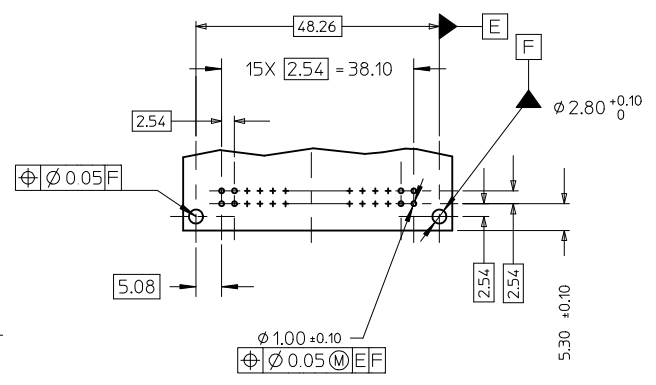


RoHS COMPLIANT

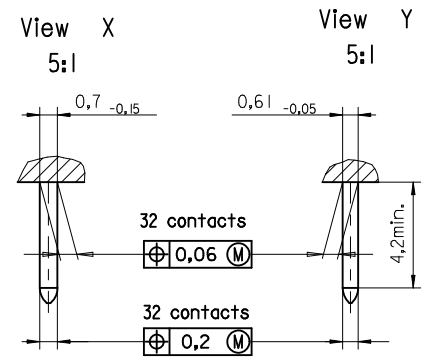
<b>ENTER DESCRIPTION</b> ELC.MC.1.2007-0193 DRAWING NO. 2007/01/08 CHKD/SUBDR 2007/01/08 APPR/PRA/SAD 2007/01/09	<b>QUALITY SYMBOLS</b> ▽=0 ▽=0	<b>GENERAL TOLERANCES (UNLESS SPECIFIED)</b>		<b>DIMENSION STYLE</b> MM ONLY	<b>SCALE</b> 2:1	<b>DESIGN UNITS</b> METRIC	THIRD ANGLE PROJECTION
		4 PLACES ± --- ± --- 3 PLACES ± 0.05 ± --- 2 PLACES ± 0.1 ± --- 1 PLACE ± 0.15 ± ---	INCH ± --- ± --- ± ---	DRAWN BY NS DATE 2001/04/02	CHECKED BY G.J.LOWE DATE 2001/04/02	ASSEMBLY, DIN 41612 B/2 MALE 32 POS	
<b>DRAFT WHERE APPLICABLE MUST REMAIN WITHIN DIMENSIONS</b>	SIZE A 1	DRAFT WHERE APPLICABLE MUST REMAIN WITHIN DIMENSIONS		MATERIAL NO. SEE CHART	DOCUMENT NO. SD-85001-0002	MOLEX INCORPORATED	
		INCORPORATED AND SHOULD NOT BE USED WITHOUT WRITTEN PERMISSION		SHEET NO. 1 OF 2			



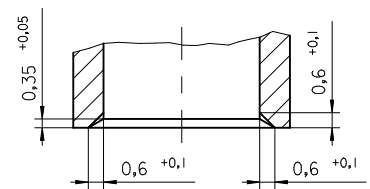
RECOMMENDED PCB LAYOUT  
COMPONENT SIDE



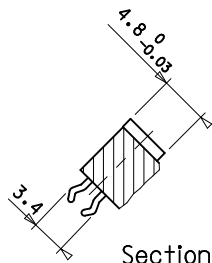
RECOMMENDED PCB THICKNESS - 1,6MM



Section A - B  
5:1



Section C - D



ENTER DESCRIPTION	EC NO: 12011-0346	DRWN: VUTTARKAR	2011/08/31
		CHKD: KRASAD	
		APPR: KRASAD	2011/09/02

QUALITY SYMBOLS	DESCRIPTION
$\nabla_A = 0$	
$\nabla_C = 0$	
$\nabla_F = 0$	

GENERAL TOLERANCES (UNLESS SPECIFIED)	
mm	INCH
4 PLACES	± ---
3 PLACES	± ---
2 PLACES	± ---
1 PLACE	± ---
ANGULAR ± ---°	
DRAFT WHERE APPLICABLE MUST REMAIN WITHIN DIMENSIONS	

DIMENSION STYLE	
MM ONLY	
DRAWN BY	DATE
VUTTARKAR	
CHECKED BY	DATE
KRASAD	
APPROVED BY	DATE
MATERIAL NO.	---
SIZE	A3

SCALE	DESIGN UNITS	FIRST ANGLE PROJECTION
	METRIC	
TITLE		
32POS. MALE CONNECTOR ACC. DIN 41612 STYLE B/2 DIMENSIONS		
molex MOLEX INCORPORATED		
MATERIAL NO.	DOCUMENT NO.	SHEET NO.
	SDA-85001-0002	1 OF 01
THIS DRAWING CONTAINS INFORMATION THAT IS PROPRIETARY TO MOLEX INCORPORATED AND SHOULD NOT BE USED WITHOUT WRITTEN PERMISSION		

