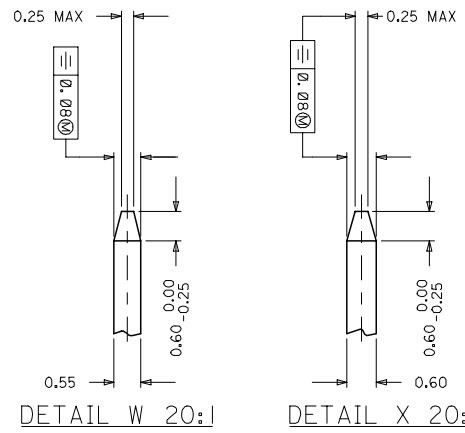
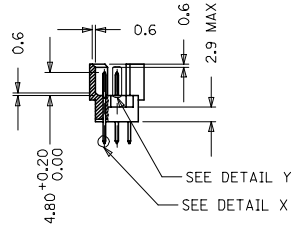
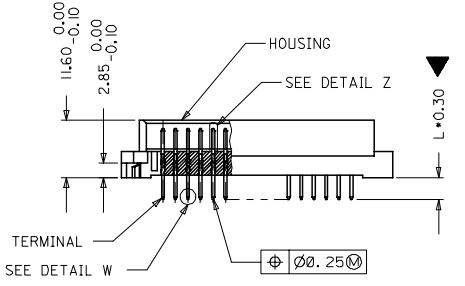
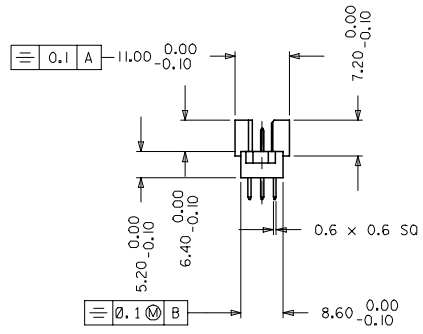
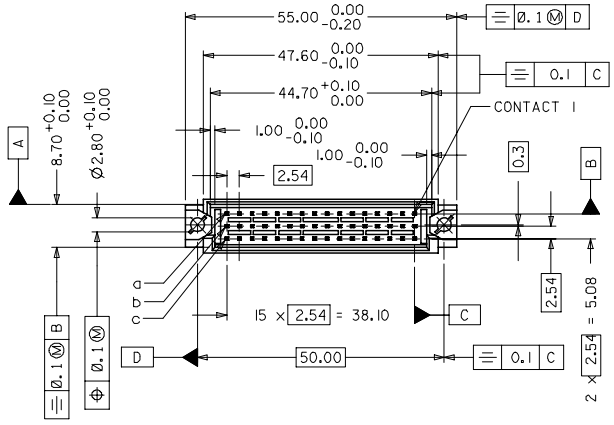
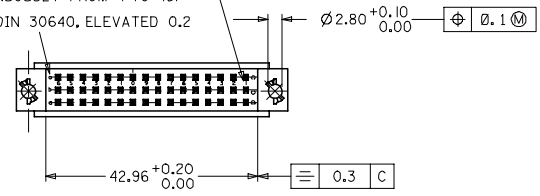


NOTES:

1. MATERIAL NUMBER, BATCH CODE, UL CSA MARKING TO BE PRINTED ON THE CONNECTOR AS PER E-36502-005
2. PRODUCT SPECIFICATION PS:85013-001
3. PACKING SPECIFICATION PK: 36512-001
4. CUT FACES OF TIP WITHOUT PLATING IS PERMITTED
5. REFERENCE AREA OF PLATING
6. GAUGE DRAWING REFER E-36500-100



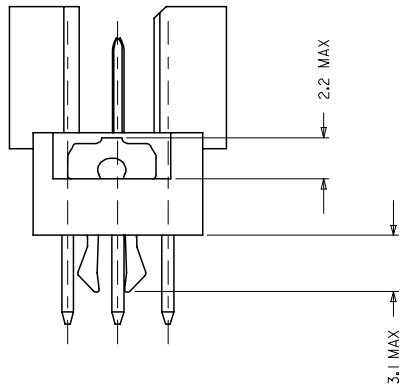
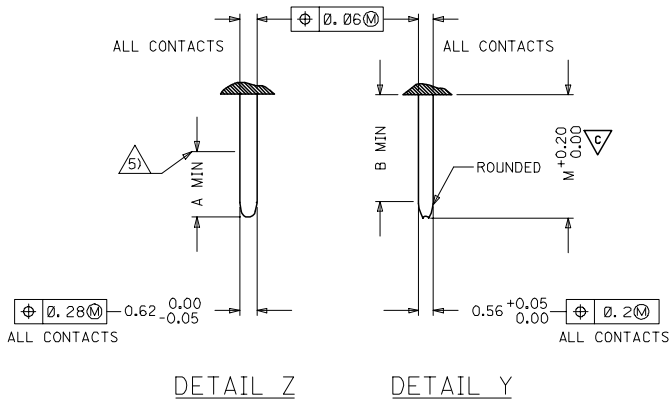
SCRIPT E1.25-5 DIN 30640, ELEVATED 0.2
(NUMBERED CONTINUOUSLY FROM 1 TO 16)
SCRIPT E1.5-6 DIN 30640, ELEVATED 0.2



EC NO. 12005-0092 DRAWN BY DRWNSHIVASHA CHKD BY CHAKRAPASAI APPRD BY SUDHIR	QUALITY SYMBOLS ▽=1 ▽=0	GENERAL TOLERANCES (UNLESS SPECIFIED)		DIMENSION STYLE		SCALE	DESIGN UNITS	THIRD ANGLE PROJECTION	
		mm	INCH	MM ONLY		2:1	METRIC		
DESCRIPTION	4 PLACES ±	±	---	DRAWN BY	DATE	TITLE			
	3 PLACES ±0.005	±	---	NS	2004/03/31	48 POS. MALE CONNECTOR			
	2 PLACES ±0.05	±	---	CHECKED BY	DATE	ACC. DIN 41612			
	1 PLACE ±0.1	±	---	GJLOWE	2004/03/31	STYLE R/2 CONTACTS			
MATERIAL NO.	ANGULAR ± 2 °		APPROVED BY		DATE	MOLEX INCORPORATED			
	DRAFT WHERE APPLICABLE MUST REMAIN WITHIN DIMENSIONS		GJLOWE		2004/03/31	MATERIAL NO. SEE CHART			
SIZE	A1		DOCUMENT NO.		E-85013-0002				
THIS DRAWING CONTAINS INFORMATION THAT IS PROPRIETARY TO MOLEX INCORPORATED AND SHOULD NOT BE USED WITHOUT WRITTEN PERMISSION								SHEET NO. 1 OF 2	

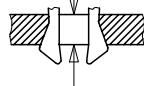
PRE MATING CONTACTS	5.4	4.1	4.8
NORMAL CONTACTS	4.8	3.5	4.2
	M	A	B

MALE CONNECTOR WITH MOUNTING CLIPS



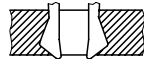
CLIPS SNAP UNDER
PC - BOARD OF
1.5 to 1.8 mm
Fm < 60N
Fr >= 20N
Fr >= 200N, WHEN
SOLDERED IN
PLATED - THROUGH
FIXING HOLES

Fm = MOUNTING FORCE
(FOR ONE CONNECTOR = 2 CLIPS)



FR = RETENTION FORCE
(FOR ONE CONNECTOR = 2 CLIPS)

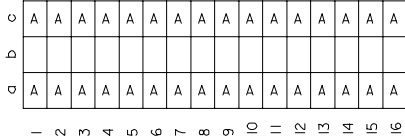
CLIPS STICK IN
FIXING HOLE OF
PC - BOARDS
OVER 1.8 mm
Fm < 60N
FR >= 16N



IEC NO. 12005-0092 2004/11/23 DR:RNISHIVASHA CH:KADRASAI APPR:SSUDHIR 2004/11/23	QUALITY SYMBOLS ▽=0 ▽=1	GENERAL TOLERANCES (UNLESS SPECIFIED)		DIMENSION STYLE MM ONLY	SCALE 2:1	DESIGN UNITS METRIC	THIRD ANGLE PROJECTION		
		4 PLACES ± --- ± ---	3 PLACES ± 0.005 ± ---	2 PLACES ± 0.05 ± ---	1 PLACE ± 0.1 ± ---	ANGULAR ± 2 °	DRAWN BY NS	DATE 2004/03/31	TITLE 48 POS. MALE CONNECTOR ACC. DIN 41612 STYLE R/2 CONTACTS
		CHECKED BY GJLOWE	DATE 2004/03/31	APPROVED BY GJLOWE	DATE 2004/03/31	MATERIAL NO. SEE CHART	DOCUMENT NO. E-85013-0002	SHEET NO. 2 OF 2	
		DRAFT WHERE APPLICABLE MUST REMAIN WITHIN DIMENSIONS							THIS DRAWING CONTAINS INFORMATION THAT IS PROPRIETARY TO MOLEX INCORPORATED AND SHOULD NOT BE USED WITHOUT WRITTEN PERMISSION

20 19 18 17 16 15 14 13 12 11 10 9 8 7 6 5 4 3 2 1

VIEW ON MATING SIDE



A = 32 STANDARD CONTACTS L = 4.5

MARKING	STANDARD
PERFORMANCE LEVEL	G2/0 = CONTACT AREA LEVEL2 / TERMINATION TIN
FLUX PROOF	NO
FIXING CLIP	NO
DIMENSIONS	E-85013-0002 SHT 1-2

A	G2/0	a1-16 c1-16
CONTACT SYMBOL	PERFORMANCE LEVEL	CONTACT POSITION NUMBER

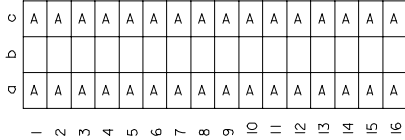
SL. NO.	DESCRIPTION	CONTACT SYMBOL	PART NUMBER	QTY
1	HOUSING		36520-0002	1
2	TERMINAL	A	36527-0005	32

EC NO. I 2004-XXXX DRAWN NS 31/03/04 CHK'd G.L. 31/03/04 APPR. G.L. 31/03/04	QUALITY SYMBOLS MAJOR CRITICAL	GENERAL TOLERANCES: (UNLESS SPECIFIED) mm INCH 4 PLACES ±0. ±. 3 PLACES ±0. ±. 2 PLACES ±0. ±. 1 PLACE ±0. ±.	SCALE DESIGN UNITS <input checked="" type="checkbox"/> MM <input type="checkbox"/> INCH	THIRD ANGLE PROJECTION <input type="checkbox"/> 1ST ANGLE <input checked="" type="checkbox"/> 3RD ANGLE	DIMENSIONS: <input type="checkbox"/> MM <input type="checkbox"/> INCH <input checked="" type="checkbox"/> INCH ONLY	SHT 1 REV REVISE ON CAD ONLY	
	DRAWN BY & DATE NLS 31/03/04	CHECKED BY & DATE G.L. 31/03/04	APPROVED BY & DATE G.L. 31/03/04	CAD FILENAME E-85013-0050.S01	MATERIAL NO. 85013-0050	DRAWING NO. E-85013-0050	SHEET NO. 1 OF 1
	TITLE: 48 POS MALE CONNECTOR ACCORDING DIN 41612 STYLE R/2 CONTACTS ARRANGEMENT		MOLEX INCORPORATED				
	DRAFT WHERE APPLICABLE MUST REMAIN WITHIN DIMENSIONS		THIS DRAWING CONTAINS INFORMATION THAT IS PROPRIETARY TO MOLEX INCORPORATED AND SHOULD NOT BE USED WITHOUT WRITTEN PERMISSION.				

19 18 17 16 15 14 13 12 11 10 9 8 7 6 5 4 3 2 1

20 19 18 17 16 15 14 13 12 11 10 9 8 7 6 5 4 3 2 1

VIEW ON MATING SIDE



A = 32 STANDARD CONTACTS L = 4.5

MARKING	STANDARD
PERFORMANCE LEVEL	G2/0 = CONTACT AREA LEVEL2 / TERMINATION TIN
FLUX PROOF	NO
FIXING CLIP	NO
DIMENSIONS	SD-85013-0002 SHT 1

A	G2/0	a1-16 c1-16
CONTACT SYMBOL	PERFORMANCE LEVEL	CONTACT POSITION NUMBER

EC NO. I 2004-XXXX DRAWN NS 31/03/04 CHK'd G.L. 31/03/04 APPR G.L. 31/03/04	QUALITY SYMBOLS MAJOR CRITICAL	GENERAL TOLERANCES: (UNLESS SPECIFIED) DIM INCH 4 PLACES ±0. ±. 3 PLACES ±0. ±. 2 PLACES ±0. ±. 1 PLACE ±0. ±. ANGULAR ± ±.	SCALE DESIGN UNITS <input checked="" type="checkbox"/> DIM <input type="checkbox"/> INCH THIRD ANGLE PROJECTION <input type="checkbox"/> DIM INCH <input type="checkbox"/> DIM INCH <input checked="" type="checkbox"/> DIM ONLY	DRAWN BY & DATE NLS 17/03/03 CHECKED BY & DATE G.L. 17/03/03 APPROVED BY & DATE G.L. 17/03/03	DIMENSIONS: <input type="checkbox"/> DIM INCH <input type="checkbox"/> DIM INCH <input checked="" type="checkbox"/> DIM ONLY SHT 1 REV REVISE ON CAD ONLY
	CAD FILENAME SD-85013-0050.S0	MATERIAL NO. 85013-0050	DRAWING NO. SD-85013-0050	TITLE: 48 POS MALE CONNECTOR ACCORDING DIN 41612 STYLE R/2 CONTACTS ARRANGEMENT MOLEX INCORPORATED	SHEET NO. 1 OF 1 SIZE D

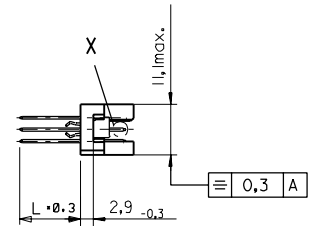
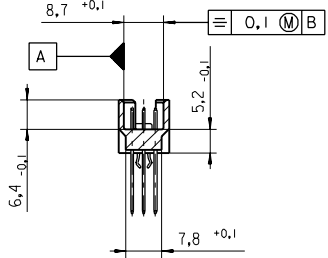
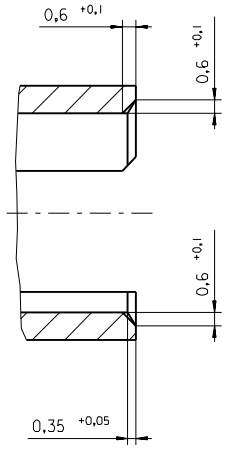
DRAFT WHERE APPLICABLE MUST REMAIN WITHIN DIMENSIONS

THIS DRAWING CONTAINS INFORMATION THAT IS PROPRIETARY TO MOLEX INCORPORATED AND SHOULD NOT BE USED WITHOUT WRITTEN PERMISSION.

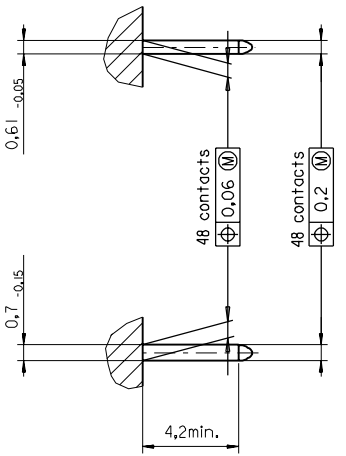
19 18 17 16 15 14 13 12 11 10 9 8 7 6 5 4 3 2 1

PART NO.
DWG. NO.

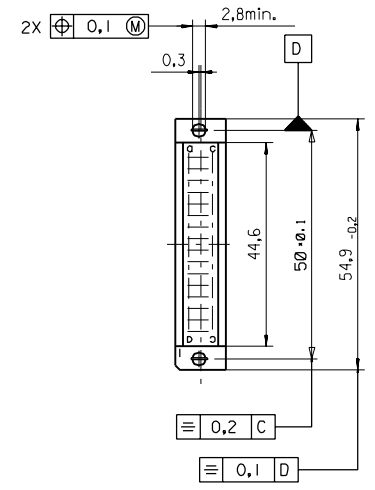
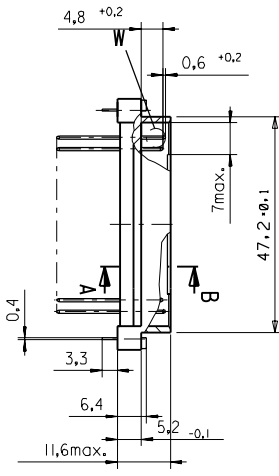
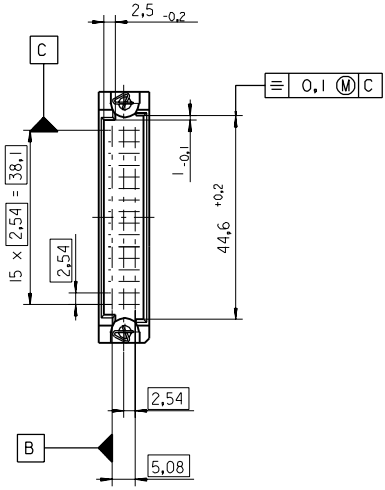
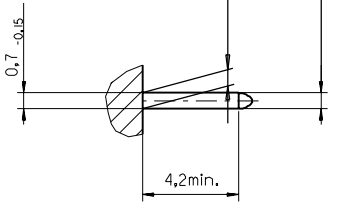
Section A - B
5:1



View X
5:1



View W
5:1



FIRST ANGLE PROJECTION		REVISE ONLY ON CAD SYSTEM		SH.	REV.
first release see ECN No. 1887	L TR	UNLESS OTHERWISE SPECIFIED TOLERANCES: ANGULAR ±2°	DRWG BY	CAD/CAM PROJECT NAME	
		INCH METRIC	Ca	85013000 821	THIS DRAWING CONTAINS INFORMATION THAT IS PROPRIETARY TO MOLEX INC. & SHOULD NOT BE USED WITHOUT WRITTEN PERMISSION
3 PLACE ± . ±	FOR PREVIOUS REVISIONS SEE MRI LIST	2 PLACE ± . ±	CHK'D BY	TITLE	
1 PLACE ± . ±			KN	48 pos. Male connector acc. DIN 41612 style R/2 Dimensions	
	DRAFT WHERE APPLICABLE MUST REMAIN WITHIN DIMENSIONS		APP'D BY	SHEET NO. DATE	
DESIGN DIMENSION	<input checked="" type="checkbox"/> MM			1 OF	95/06/08
EQUIVALENT DIMENSION	<input type="checkbox"/> MM		SCALE	PART NO. DWG NO. SIZE	
	<input type="checkbox"/> IN.			SDA-85013-0002	B
IF TWO DIMENSIONS ARE SHOWN THE UPPER IS THE DESIGN DIMENSION, LOWER IS SECONDARY					

VIEW ON MATING SIDE

∩	A	A	A	A	A	A	A	A	A	A	A	A	A	A	A	A	A	A	A
∞																			
◁	A	A	A	A	A	A	A	A	A	A	A	A	A	A	A	A	A	A	A

1 2 3 4 5 6 7 8 9 10 11 12 13 14 15 16 17 18 19 20

A = 32 STANDARD CONTACTS L=4,5

Marking	Standard
Performance level	G2/0 = Contact area perform. level2 / Termination tin
Flux proof	no
Fixing clip	no
Dimensions	SDA-85013-0002 sht.1
Technical Data	PS-85013-0001

A	G2/0	a1-16	c1-16
Contact symbol	Perform. level	Contact position number	

first release see ECN No. 1868	REVISIONS		FOR PREVIOUS REVISIONS SEE MRI LIST	
	∇	LTR		
UNLESS OTHERWISE SPECIFIED TOLERANCES: ANGULAR ± 2°		DRWG BY	SIGN	
INCH		Cc		
METRIC		CHK'D BY	SIGN	
3 PLACE ± .		KN		
2 PLACE ± .		APP'D BY	SIGN	
1 PLACE ± .				
DRAFT WHERE APPLICABLE MUST REMAIN WITHIN DIMENSIONS		SCALE		
DESIGN DIMENSION <input type="checkbox"/> MM <input type="checkbox"/> IN.				
EQUIVALENT DIMENSION <input type="checkbox"/> MM <input type="checkbox"/> IN.				
IF TWO DIMENSIONS ARE SHOWN, THE UPPER IS THE DESIGN DIMENSION, LOWER IS SECONDARY				
REVISE ONLY ON CAD SYSTEM		SH. REV.		
CAD/CAM PROJECT NAME		THIS DRAWING CONTAINS INFORMATION THAT IS PROPRIETARY TO MOLEX INC. & SHOULD NOT BE USED WITHOUT WRITTEN PERMISSION		
s8501300		s51		
TITLE		SHEET NO. DATE		
48 pos. Male connector acc. DIN 41612 style R/2 contacts arrangement		1 OF 1 95/06/07		
MOLEX EUROPE		DWG NO.		
85013-0050		SDA-85013-0050		
PART NO.		SIZE		
		A		