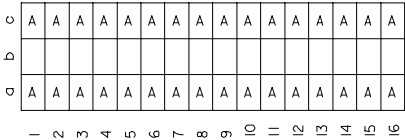


20 19 18 17 16 15 14 13 12 11 9 8 7 6 5 4 3 2 1

VIEW ON MATING SIDE



A = 32 STANDARD CONTACTS L = 2

MARKING	STANDARD
PERFORMANCE LEVEL	G/O = CONTACT AREA LEVEL 1 / TERMINATION TIN
FLUX PROOF	NO
FIXING CLIP	NO
DIMENSIONS	SD-85013-0002 SHT 1

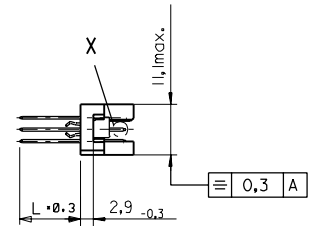
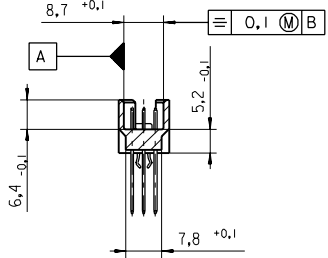
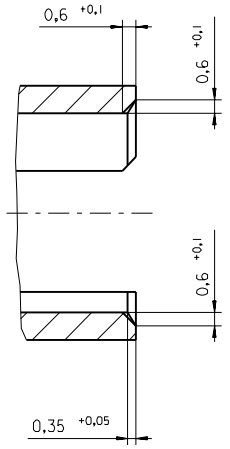
A	G/O	a1-16 c1-16
CONTACT SYMBOL	PERFORMANCE LEVEL	CONTACT POSITION NUMBER

EC NO. I 2004-XXXX DRAWN N.S. 31/03/04 CHK G.L. 31/03/04 APPR G.L. 31/03/04	QUALITY SYMBOLS MAJOR \pm CRITICAL ∇ \pm	GENERAL TOLERANCES: (UNLESS SPECIFIED) <table border="1"> <tr> <th></th> <th>MM</th> <th>INCH</th> </tr> <tr> <td>4 PLACES</td> <td>± 0.1</td> <td>\pm</td> </tr> <tr> <td>3 PLACES</td> <td>± 0.1</td> <td>\pm</td> </tr> <tr> <td>2 PLACES</td> <td>± 0.1</td> <td>\pm</td> </tr> <tr> <td>1 PLACE</td> <td>± 0.1</td> <td>\pm</td> </tr> </table>		MM	INCH	4 PLACES	± 0.1	\pm	3 PLACES	± 0.1	\pm	2 PLACES	± 0.1	\pm	1 PLACE	± 0.1	\pm	SCALE <input checked="" type="checkbox"/> MM <input type="checkbox"/> INCH	DESIGN UNITS <input checked="" type="checkbox"/> MM <input type="checkbox"/> INCH	THIRD ANGLE PROJECTION <input type="checkbox"/> FIRST ANGLE <input checked="" type="checkbox"/> THIRD ANGLE	DIMENSIONS: <input type="checkbox"/> MM <input type="checkbox"/> INCH <input checked="" type="checkbox"/> BOTH <input type="checkbox"/> INCH ONLY	SHT 1 REV REVISE ON CAD ONLY
		MM	INCH																			
	4 PLACES	± 0.1	\pm																			
	3 PLACES	± 0.1	\pm																			
2 PLACES	± 0.1	\pm																				
1 PLACE	± 0.1	\pm																				
DRAWN BY & DATE N.S. 31/03/04	CHECKED BY & DATE G.L. 31/03/04	APPROVED BY & DATE G.L. 31/03/04	TITLE: 48 POS MALE CONNECTOR ACCORDING DIN 41612 STYLE R/2 CONTACTS ARRANGEMENT																			
CAD FILENAME S850131768.S01	MATERIAL NO. 85013-1768	DRAWING NO. SD-85013-1768	MOLEX INCORPORATED																			
DRAFT WHERE APPLICABLE MUST REMAIN WITHIN DIMENSIONS	THIS DRAWING CONTAINS INFORMATION THAT IS PROPRIETARY TO MOLEX INCORPORATED AND SHOULD NOT BE USED WITHOUT WRITTEN PERMISSION.																					

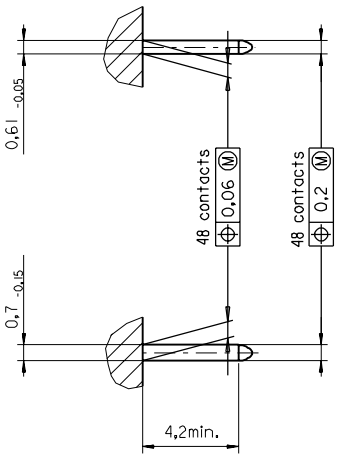
19 18 17 16 15 14 13 12 11 10 9 8 7 6 5 4 3 2 1

PART NO.
DWG. NO.

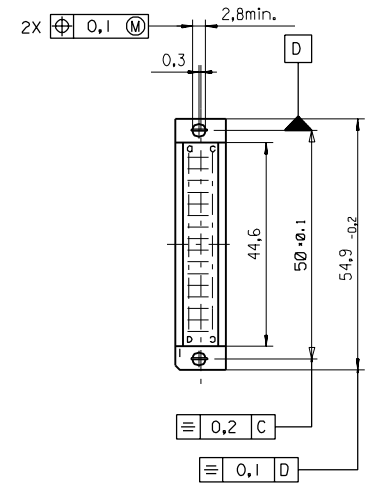
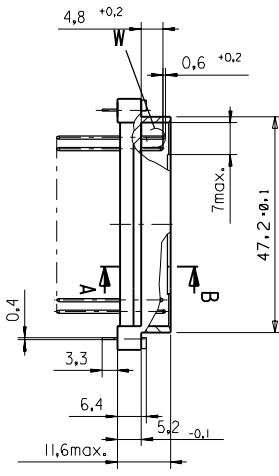
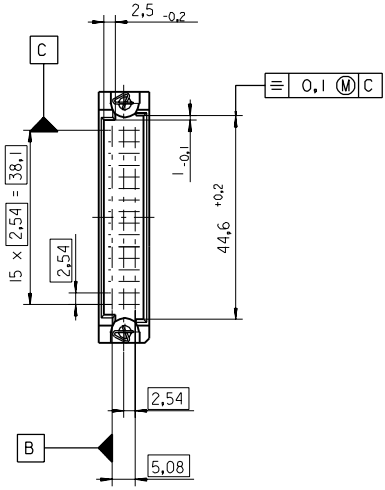
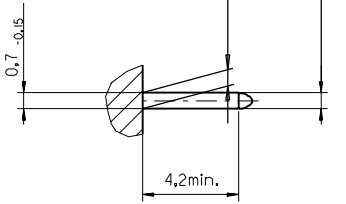
Section A - B
5:1



View X
5:1



View W
5:1



BI	LTR	first release see ECN No. 1887	FIRST ANGLE PROJECTION		REVISE ONLY ON CAD SYSTEM		SH.	REV.
		FOR PREVIOUS REVISIONS SEE MRI LIST	UNLESS OTHERWISE SPECIFIED TOLERANCES: ANGULAR ± 2°	DRWG BY Ca	SIGN	CAD/CAM PROJECT NAME 85013000 821	THIS DRAWING CONTAINS INFORMATION THAT IS PROPRIETARY TO MOLEX INC. & SHOULD NOT BE USED WITHOUT WRITTEN PERMISSION	
			INCH	METRIC	CHK'D BY KN	SIGN	TITLE 48 pos. Male connector acc. DIN 41612 style R/2 Dimensions	
			3 PLACE ± . ±	±	APP'D BY	SIGN	SHEET NO. DATE 1 OF 95/06/08	
			DRAFT WHERE APPLICABLE MUST REMAIN WITHIN DIMENSIONS		SCALE		PART NO. DWG NO. SIZE	
			DESIGN DIMENSION	<input checked="" type="checkbox"/> MM <input type="checkbox"/> IN.			SDA-85013-0002 B	
			EQUIVALENT DIMENSION	<input type="checkbox"/> MM <input type="checkbox"/> IN.				
			IF TWO DIMENSIONS ARE SHOWN THE UPPER IS THE DESIGN DIMENSION, LOWER IS SECONDARY					

VIEW ON MATING SIDE

⊂	A	A	A	A	A	A	A	A	A	A	A	A	A	A	A	A	A
⊃	A	A	A	A	A	A	A	A	A	A	A	A	A	A	A	A	A
⊄	A	A	A	A	A	A	A	A	A	A	A	A	A	A	A	A	A

1 2 3 4 5 6 7 8 9 10 11 12 13 14 15 16 17 18 19 20 21 22 23 24 25 26 27 28 29 30 31 32 33 34 35 36 37 38 39 40 41 42 43 44 45 46 47 48 49 50 51 52 53 54 55 56 57 58 59 60 61 62 63 64 65 66 67 68 69 70 71 72 73 74 75 76 77 78 79 80 81 82 83 84 85 86 87 88 89 90 91 92 93 94 95 96 97 98 99 100

A = 48 STANDARD CONTACTS L=4,5

Marking	Standard
Performance level	G1/0 = Contact area perform. level / Termination tin
Flux proof	no
Fixing clip	no
Dimensions	SDA-85013-0002 sht.1
Technical Data	PS-85013-0001

A	G1/0	a1-16	b1-16	c1-16
Contact symbol	Perform. level	Contact position number		

ECN No. MC1998-2626 first release	REVISIONS		FOR PREVIOUS REVISIONS SEE MRI LIST	
	LTR	REVISIONS		
UNLESS OTHERWISE SPECIFIED TOLERANCES: ANGULAR ± 2° INCH METRIC		DRWG BY Ca	SIGN	
3 PLACE ± .	±	CHK'D BY KN	SIGN	
2 PLACE ± .	±	APP'D BY JB	SIGN	
1 PLACE ± .	±	DRAFT WHERE APPLICABLE MUST REMAIN WITHIN DIMENSIONS		
DESIGN DIMENSION <input type="checkbox"/> MM <input type="checkbox"/> IN.		SCALE		
EQUIVALENT DIMENSION <input type="checkbox"/> MM <input type="checkbox"/> IN.		IF TWO DIMENSIONS ARE SHOWN, THE UPPER IS THE DESIGN DIMENSION, LOWER IS SECONDARY		
REVISE ONLY ON CAD SYSTEM		CAD/CAM PROJECT NAME s8501317 s61	SH. REV.	
TITLE 48 pos. Male connector acc. DIN 41612 style R/2 contacts arrangement		THIS DRAWING CONTAINS INFORMATION THAT IS PROPRIETARY TO MOLEX INC. & SHOULD NOT BE USED WITHOUT WRITTEN PERMISSION		
PART NO. 85013-1768		SHEET NO. DATE 1 OF 1 97/10/24		SIZE A
DWG NO. 85013-1768		DWG NO. SDA-85013-1768		