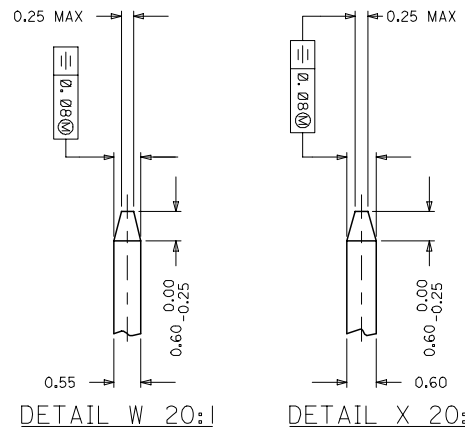
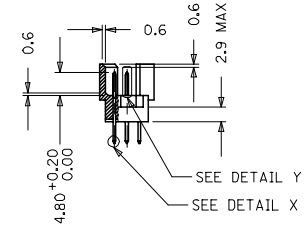
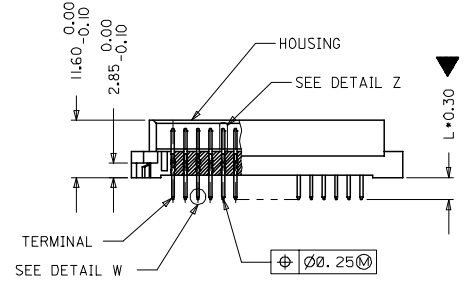
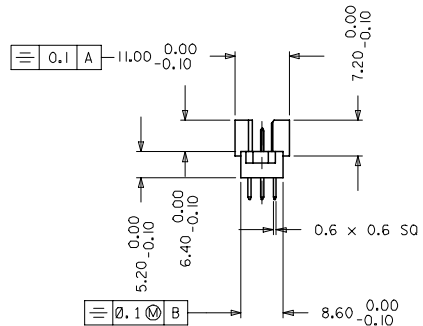
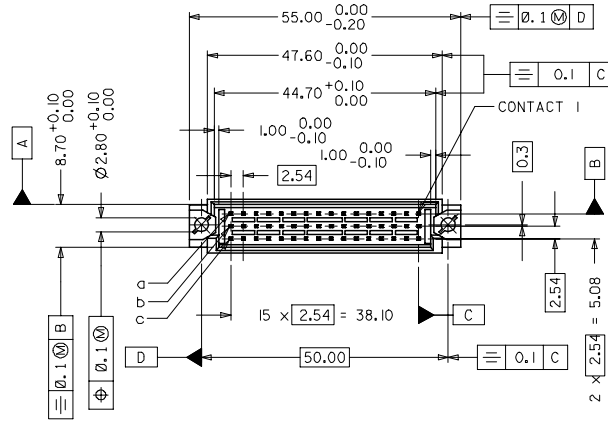
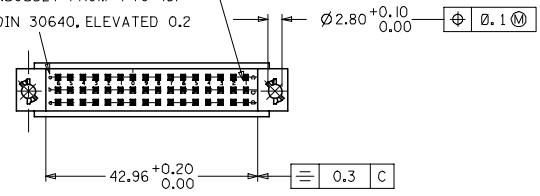


- NOTES:
1. MATERIAL NUMBER, BATCH CODE, UL CSA MARKING TO BE PRINTED ON THE CONNECTOR AS PER E-36502-005
 2. PRODUCT SPECIFICATION PS:85013-001
 3. PACKING SPECIFICATION PK: 36512-001
 4. CUT FACES OF TIP WITHOUT PLATING IS PERMITTED
 5. REFERENCE AREA OF PLATING
 6. GAUGE DRAWING REFER E-36500-100



SCRIPT E1.25-5 DIN 30640, ELEVATED 0.2
(NUMBERED CONTINUOUSLY FROM 1 TO 16)
SCRIPT E1.5-6 DIN 30640, ELEVATED 0.2



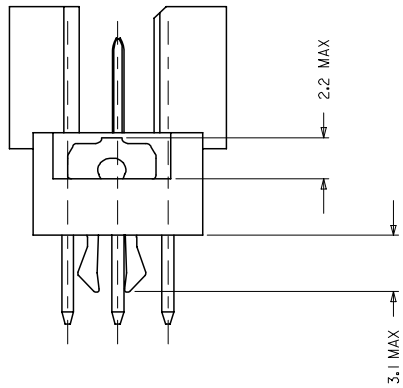
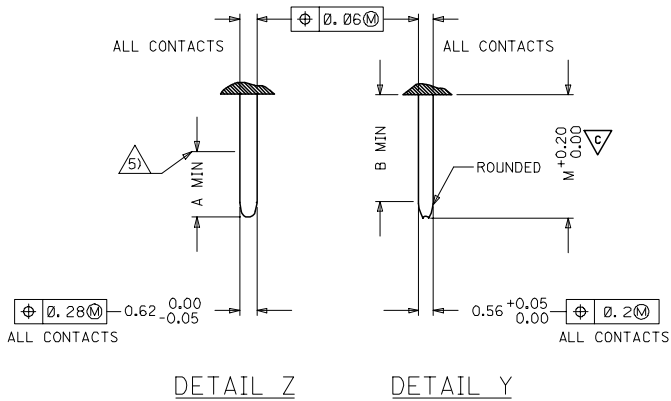
EC NO. 12005-0092 DR. VINISH VASHA CH. KRIPASAI APPR: SUDHIR	QUALITY SYMBOLS	GENERAL TOLERANCES (UNLESS SPECIFIED)		DIMENSION STYLE		SCALE	DESIGN UNITS	THIRD ANGLE PROJECTION	
	$\nabla=1$ $\nabla=0$	mm	INCH	MM ONLY	2:1	METRIC	TITLE: 48 POS. MALE CONNECTOR ACC. DIN 41612 STYLE R/2 CONTACTS		
		4 PLACES ±	±	DATE	DATE	DRAWN BY: NS CHECKED BY: GJLOWE APPROVED BY: GJLOWE DATE: 2004/03/31			
		ANGULAR ±	°	DATE		MATERIAL NO.: SEE CHART DOCUMENT NO.: E-85013-0002 SHEET NO.: 1 OF 2			

DRAFT WHERE APPLICABLE
MUST REMAIN
WITHIN DIMENSIONS

THIS DRAWING CONTAINS INFORMATION THAT IS PROPRIETARY TO MOLEX INCORPORATED AND SHOULD NOT BE USED WITHOUT WRITTEN PERMISSION

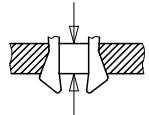
PRE MATING CONTACTS	5.4	4.1	4.8
NORMAL CONTACTS	4.8	3.5	4.2
	M	A	B

MALE CONNECTOR WITH MOUNTING CLIPS



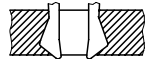
CLIPS SNAP UNDER
PC - BOARD OF
1.5 to 1.8 mm
Fm < 60N
Fr >= 20N
Fr >= 200N, WHEN
SOLDERED IN
PLATED - THROUGH
FIXING HOLES

Fm = MOUNTING FORCE
(FOR ONE CONNECTOR = 2 CLIPS)



FR = RETENTION FORCE
(FOR ONE CONNECTOR = 2 CLIPS)

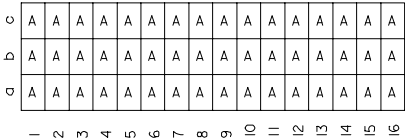
CLIPS STICK IN
FIXING HOLE OF
PC - BOARDS
OVER 1.8 mm
Fm < 60N
FR >= 16N



IEC NO. 12005-0092 2004/11/23 DRWNSHIVASHA CHAKRABARTI APPR:SSUDHIR 2004/11/23	QUALITY SYMBOLS ▽=0 ▽=1	GENERAL TOLERANCES (UNLESS SPECIFIED)		DIMENSION STYLE MM ONLY	SCALE 2:1	DESIGN UNITS METRIC	THIRD ANGLE PROJECTION
		4 PLACES ± --- ± --- 3 PLACES ± 0.005 ± --- 2 PLACES ± 0.05 ± --- 1 PLACE ± 0.1 ± --- ANGULAR ± 2 °	mm INCH	DRAWN BY NS	DATE 2004/03/31	TITLE 48 POS. MALE CONNECTOR ACC. DIN 41612 STYLE R/2 CONTACTS	
DRAFT WHERE APPLICABLE MUST REMAIN WITHIN DIMENSIONS		SEE CHART		MATERIAL NO. E-85013-0002	DOCUMENT NO. E-85013-0002	SHEET NO. 2 OF 2	
THIS DRAWING CONTAINS INFORMATION THAT IS PROPRIETARY TO MOLEX INCORPORATED AND SHOULD NOT BE USED WITHOUT WRITTEN PERMISSION							

20 19 18 17 16 15 14 13 12 11 9 8 7 6 5 4 3 2 1

VIEW ON MATING SIDE



A = 48 STANDARD CONTACTS L = 13.3

MARKING	STANDARD
PERFORMANCE LEVEL	G2/0 = CONTACT AREA LEVEL2 / TERMINATION TIN
FLUX PROOF	NO
FIXING CLIP	NO
DIMENSIONS	SD-85013-0002 SHT 1

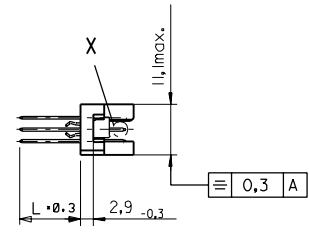
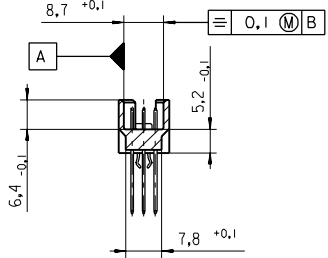
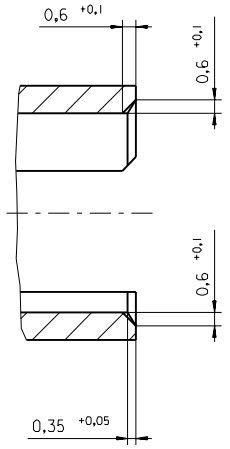
A	G2/0	a1-16 b1-16 c1-16
CONTACT SYMBOL	PERFORMANCE LEVEL	CONTACT POSITION NUMBER

EC No. I 2002-XXXX DRAWN: S 31/03/04 CHK: G.L. 31/03/04 APPR: L.L. 31/03/04	QUALITY SYMBOLS MAJOR CRITICAL	GENERAL TOLERANCES: (UNLESS SPECIFIED) 4 PLACES ±0. ±. 3 PLACES ±0. ±. 2 PLACES ±0. ±. 1 PLACE ±0. ±.	SCALE DRAWN BY & DATE N.S. 07/02/02 CHECKED BY & DATE G.L. 07/02/02 APPROVED BY & DATE G.L. 07/02/02	DESIGN UNITS <input checked="" type="checkbox"/> MM <input type="checkbox"/> INCH THIRD ANGLE PROJECTION DIMENSIONS: <input type="checkbox"/> DIM INCH <input type="checkbox"/> INCH <input checked="" type="checkbox"/> DIM ONLY	SHEET NO. 1 OF 1 SIZE D
	CAD FILENAME S850132036.S01	MATERIAL NO. 85013-2036	DRAWING NO. SD-85013-2036	TITLE: 48 POS MALE CONNECTOR ACCORDING DIN 41612 STYLE R/2 CONTACTS ARRANGEMENT	SHEET NO. 1 OF 1 SIZE D
	DRAFT WHERE APPLICABLE MUST REMAIN WITHIN DIMENSIONS		THIS DRAWING CONTAINS INFORMATION THAT IS PROPRIETARY TO MOLEX INCORPORATED AND SHOULD NOT BE USED WITHOUT WRITTEN PERMISSION.		

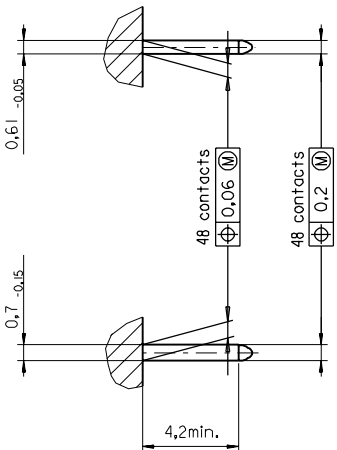
19 18 17 16 15 14 13 12 11 10 9 8 7 6 5 4 3 2 1

PART NO.
DWG. NO.

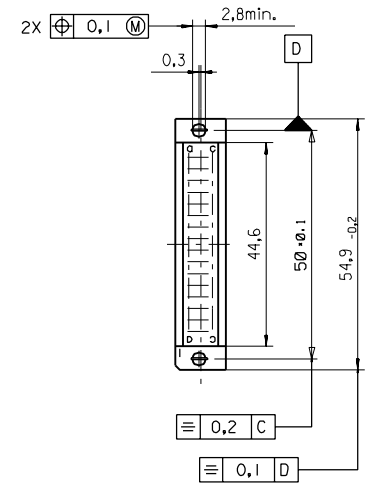
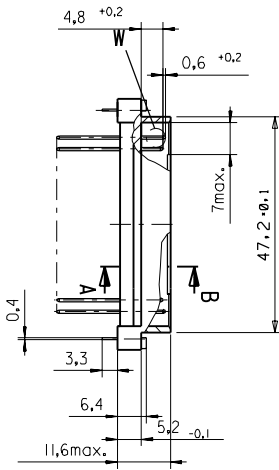
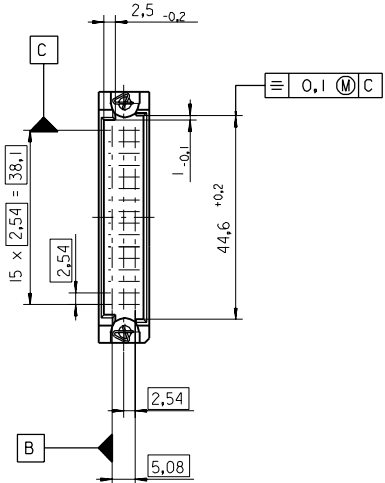
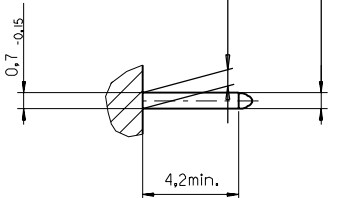
Section A - B
5:1



View X
5:1



View W
5:1



FIRST ANGLE PROJECTION		REVISE ONLY ON CAD SYSTEM		SH.	REV.	
first release see ECN No. 1887	REVISIONS FOR PREVIOUS REVISIONS SEE MRI LIST	UNLESS OTHERWISE SPECIFIED TOLERANCES: ANGULAR ±2°	DRWG BY	CAD/CAM PROJECT NAME		
		INCH METRIC	Ca	85013000	THIS DRAWING CONTAINS INFORMATION THAT IS PROPRIETARY TO MOLEX INC. & SHOULD NOT BE USED WITHOUT WRITTEN PERMISSION	
		3 PLACE ± . ±	CHK'D BY	TITLE		
		2 PLACE ± . ±	KN	48 pos. Male connector acc. DIN 41612 style R/2 Dimensions		
1 PLACE ± . ±	DRAFT WHERE APPLICABLE MUST REMAIN WITHIN DIMENSIONS	APP'D BY	MOLEX EUROPE			
DESIGN DIMENSION	<input checked="" type="checkbox"/> MM	SCALE	SHEET NO. DATE		1 OF 95/06/08	
EQUIVALENT DIMENSION	<input type="checkbox"/> MM		PART NO.		DWG NO.	
IF TWO DIMENSIONS ARE SHOWN THE UPPER IS THE DESIGN DIMENSION, LOWER IS SECONDARY			SDA-85013-0002		SIZE	
					B	

View on mating side

○	A	A	A	A	A	A	A	A	A	A	A	A	A	A	A	A	A
○	A	A	A	A	A	A	A	A	A	A	A	A	A	A	A	A	A
○	A	A	A	A	A	A	A	A	A	A	A	A	A	A	A	A	A

↖ ↗ ↘ ↙ ↚ ↛ ↜ ↝ ↞ ↠ ↡ ↢ ↣ ↤ ↥ ↦ ↧ ↨ ↩ ↪ ↫ ↬ ↭ ↮ ↯ ↰ ↱ ↲ ↳ ↴ ↵ ↶ ↷ ↸ ↹ ↺ ↻ ↼ ↽ ↾ ↿

A = 48 standard contacts L=13,3

Marking	Standard
Performance level	G2/0 = Contact area perform. level2 / Termination tin
Flux proof	no
Fixing clip	no
Dimensions	SDA-85013-0002 sht.1
Technical Data	PS-85013-0001

A G2/0 a1-l6 b1-l6 c1-l6

Contact Perform. level
Contact position number

first release see ECN No. 1868	REVISIONS		FOR PREVIOUS REVISIONS SEE MRI LIST		REVISIONS ONLY ON CAD SYSTEM		SH.	REV.
	LTR		SCALE		PART NO.		DWG NO.	
UNLESS OTHERWISE SPECIFIED TOLERANCES: ANGULAR ± 2°			DRWG BY		SIGN		CAD/CAM PROJECT NAME	
3 PLACE ± ° INCH METRIC ±			C D		SIGN		THIS DRAWING CONTAINS INFORMATION THAT IS PROPRIETARY TO MOLEX INC. & SHOULD NOT BE USED WITHOUT WRITTEN PERMISSION	
2 PLACE ± ° ±			CHK'D BY		SIGN		TITLE	
1 PLACE ± ° ±			KN		SIGN		48 pos. Male connector acc. DIN 41612 style R/2 contacts arrangement	
DRAFT WHERE APPLICABLE MUST REMAIN WITHIN DIMENSIONS			APP'D BY		SIGN		SHEET NO. DATE	
DESIGN DIMENSION <input type="checkbox"/> MM <input type="checkbox"/> IN.							1 OF 1 95/06/07	
EQUIVALENT DIMENSION <input type="checkbox"/> MM <input type="checkbox"/> IN.							MOLEX EUROPE	
IF TWO DIMENSIONS ARE SHOWN THE UPPER IS THE DESIGN DIMENSION, LOWER IS SECONDARY							SDA-85013-2036	
SIZE							A	